



WT3 Module Datasheet

WT3 is an embedded low-power Wi-Fi module that Tuya has developed. It consists of a highly integrated RF chip and peripheral components. WT3 not only supports the Wi-Fi AP and STA modes, but also supports the Bluetooth LE.

Product overview ↗

WT3 is built in with a 32-bit MCU whose running speed can be up to 120 MHz, 2-MB flash memory, and 256-KB SRAM. It also supports Tuya IoT cloud connection. The MCU instructions specially extended for signal processing can effectively implement signal decoding.

Besides, it has rich peripherals, such as PWM and UART. There are six 32-bit PWM outputs, making the chip very suitable for high-quality LED control.

Features ↗

- Built in with the low-power 32-bit CPU, which can also function as an application processor
- The clock rate: 120 MHz
- Working voltage: 3.0 to 3.6V
- Peripherals: 6 PWMs and 1 UART
- Wi-Fi connectivity
 - 802.11 b/g/n
 - Channels 1 to 14@2.4 GHz
 - Support WEP, WPA/WPA2, WPA/WPA2 PSK (AES), WPA3 security modes
 - Up to +16 dBm output power in 802.11b mode
 - Support STA/AP/STA+AP working mode
 - Support SmartConfig and AP network configuration manners for Android and iOS devices
 - Onboard PCB antenna with a gain of 1.3 dBi
 - Working temperature: -40°C to 85°C
- Bluetooth connectivity
 - Support the transmit power of 6 dBm in the Bluetooth mode
 - Complete Bluetooth coexistence interface
 - Onboard PCB antenna with a gain of 1.3 dBi

Applications

- Intelligent building
- Smart household and home appliances
- Smart socket and light
- Industrial wireless control
- Baby monitor
- Network camera
- Intelligent bus

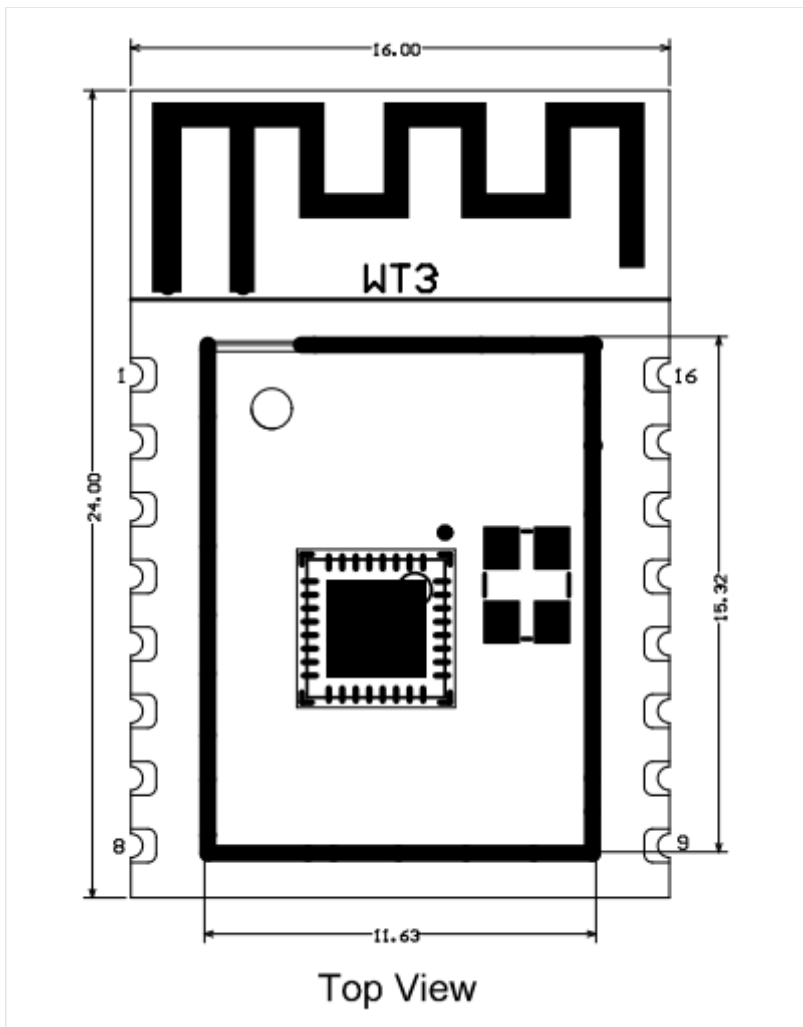
Change history

Update date	Updated content	Version after update
07/01/2022	This is the first release.	V1.0.0

Module interfaces

Dimensions and footprint

The dimensions of WT3 are 16.00±0.35 mm (W)×24.00±0.35 mm (L) ×2.8±0.15 mm (H). The dimensions of WT



Pin definition ⇄

Pin number	Symbol	I/O type	Function
1	NC	I	Directly connected to Pin 3. Low level reset, high level active (the high internally), correspond to CEN of the IC
2	ADC3	AI	ADC pin, which corresponds to P23 of the IC
3	CEN	I	Enabling pin, which is pulled high internally to be compatible wit
4	P14	I/O	A common GPIO interface, which corresponds to P14 of the IC
5	P26	I/O	GPIO_P26, which corresponds to P26 of the IC, PWM 5
6	P24	I/O	GPIO_P24, which corresponds to P24 of the IC, PWM 4
7	P6	I/O	GPIO_P6, which corresponds to P6 of the IC, PWM 0

8	3V3	P	Power supply pin (3.3V)
9	GND	P	Power supply reference ground
10	P9	I/O	GPIO_P_9, which corresponds to P9 of the IC, PWM 3
11	TXD2	I/O	UART2_TXD (used to display the module internal information), w of the IC
12	RXD2	I/O	UART2_RXD, which corresponds to P1 on the internal IC
13	P8	I/O	GPIO_P_8, which corresponds to P8 of the IC, PWM 2
14	P7	I/O	GPIO_P_7, which corresponds to P7 of the IC, PWM 1
15	RXD1	I/O	UART1_RXD (User serial port), which corresponds to P10 of the IC
16	TXD1	I/O	UART1_TXD (User serial port), which corresponds to P11 of the IC

Definitions on test points

Pin number	Symbol	I/O type	Function
-	CSN	I/O	It's a mode selection pin. If it is connected to the ground before enter the firmware test mode. If it is not connected or connected powered on, enter the firmware application mode. Correspond to

Electrical parameters

Absolute electrical parameters

Parameter	Description	Minimum value	Maximum value	Unit
Ts	Storage temperature	-55	125	°C
VBAT	Power supply voltage	-0.3	3.9	V
ESD voltage (human body model)	TAMB-25°C	-4	4	kV

ESD voltage (machine model)	TAMB-25°C	-200	200
-----------------------------	-----------	------	-----

Normal working conditions

Parameter	Description	Minimum value	Typical value	Maximum value	Unit
Ta	Working temperature	-40	-	85	°C
V _{BAT}	Power supply voltage	3	3.3	3.6	V
V _{OL}	I/O low level output	VSS	-	VSS+0.3	V
V _{OH}	I/O high level output	V _{BAT} -0.3	-	V _{BAT}	V
I _{max}	I/O drive current	-	6	20	mA

RF power consumption

Working status	Mode	Rate	Transmit power/ Receive	Average value	Peak value (
Transmit	11b	11Mbps	+16dBm	81	240
Transmit	11g	54Mbps	+15dBm	82	238
Transmit	11n	MCS7	+14dBm	85	234
Receive	11b	11Mbps	Constantly receive	73	82
Receive	11g	54Mbps	Constantly receive	75	82
Receive	11n	MCS7	Constantly receive	75	82

Working current

Working mode	Working status, Ta = 25°C	Average value	Maximum value (
--------------	---------------------------	---------------	-----------------

Quick network connection state (Bluetooth)	The module is in fast network connection state and the Wi-Fi indicator flashes fast	63	245
Quick network connection state (AP)	The module is in hotspot network connection state and the Wi-Fi indicator flashes slowly	80	270
Quick network connection state (EZ)	The module is in fast network connection state and the Wi-Fi indicator flashes fast	78	246
Connected	The module is connected to the network and the Wi-Fi indicator is always on	25	342
Weakly connected	The module and the hotspot are weakly connected and the Wi-Fi indicator is always on	205	350
Disconnected	The module is disconnected and the Wi-Fi indicator is always off	63	242
Module disabled	The CEN pin of the module is connected to the ground.	330	-

RF parameters

Basic RF features

Parameter	Description
Working frequency	2.412 to 2.484 GHz
Wi-Fi standard	IEEE 802.11 b/g/n (channels 1 to 14)
Data transmission rate	11b: 1, 2, 5.5, 11 (Mbps); 11g: 6, 9, 12, 18, 24, 36, 48, 54 (Mbps); 11n: HT20 MCS 0 to 7

Antenna type PCB antenna

Wi-Fi transmission performance

Parameter	Minimum value	Typical value	Maximum
Average RF output power, 802.11b CCK Mode 11M	-	16	-
Average RF output power, 802.11g OFDM Mode 54M	-	15	-
Average RF output power, 802.11n OFDM Mode MCS7	-	14	-
Frequency error	-20	-	20

Wi-Fi receiving performance

Parameter	Minimum value	Typical value	Maximum
PER<8%, RX sensitivity, 802.11b DSSS Mode 11M	-	-88	-
PER<10%, RX sensitivity, 802.11g OFDM Mode 54M	-	-74	-
PER<10%, RX sensitivity, 802.11n OFDM Mode MCS7	-	-73	-
PER<10%, RX sensitivity, Bluetooth LE 1M	-	-96	-

Bluetooth transmission performance

Parameter	Minimum value	Typical value	Maximum value	Unit
Working frequency	2402	-	2480	MHz
Air rate	-	1	-	Mbps
Transmit power	-20	6	20	dBm
Frequency error	-150	-	150	KHz

Bluetooth receiving performance ↻

Parameter	Minimum value	Typical value	Maximum value	Unit
RX sensitivity	-	-96	-	dBm
Maximum RF signal input	-10	-	-	dBm
Inter-modulation	-	-	-23	dBm
Co-channel suppression ratio	-	10	-	dB

Antenna information ↻

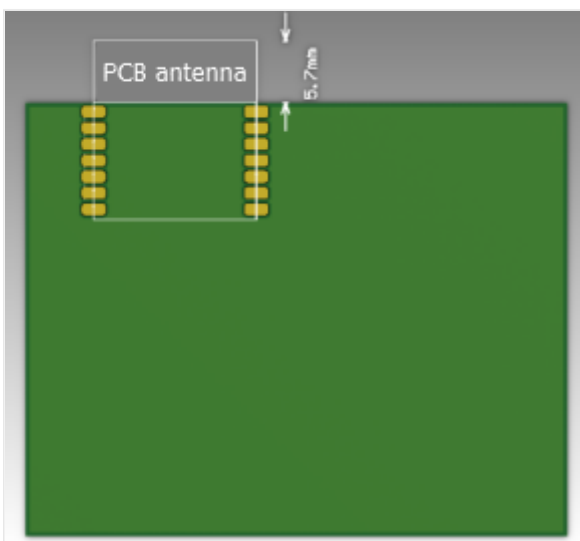
Antenna type ↻

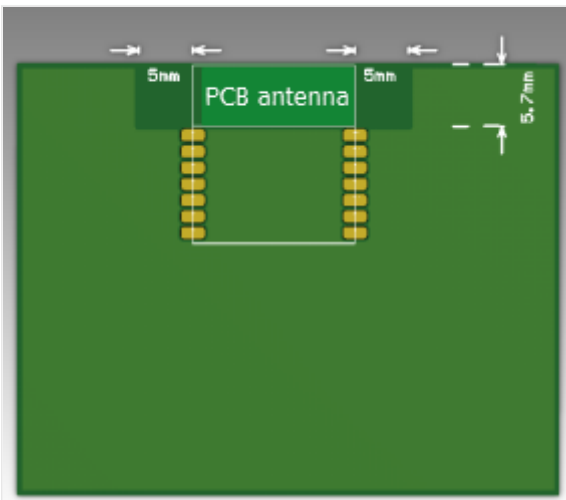
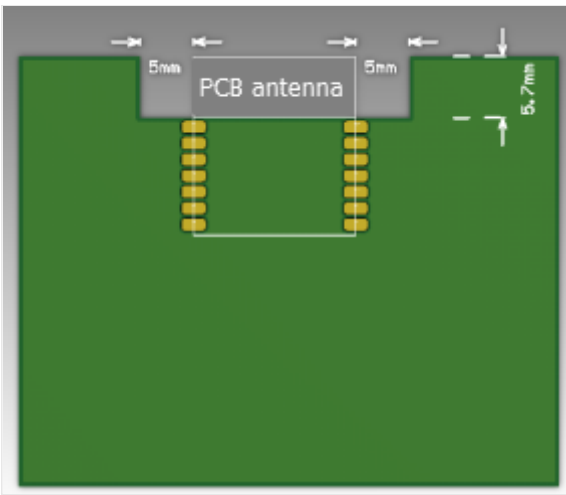
WT3 uses the PCB antenna with a gain of 1.3 dBi.

Antenna interference reduction ↻

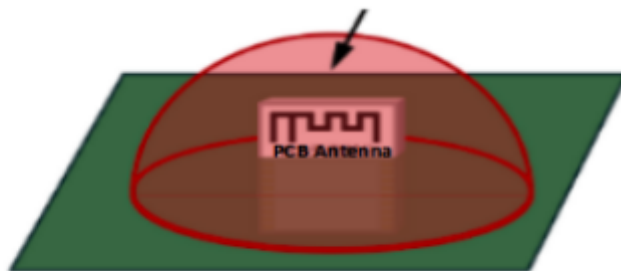
To ensure the optimal Wi-Fi performance when the Wi-Fi module uses an onboard PCB antenna, it is recommended to be at least 15 mm away from other metal parts.

To prevent adverse impact on the antenna radiation performance, avoid copper or traces within the antenna area.



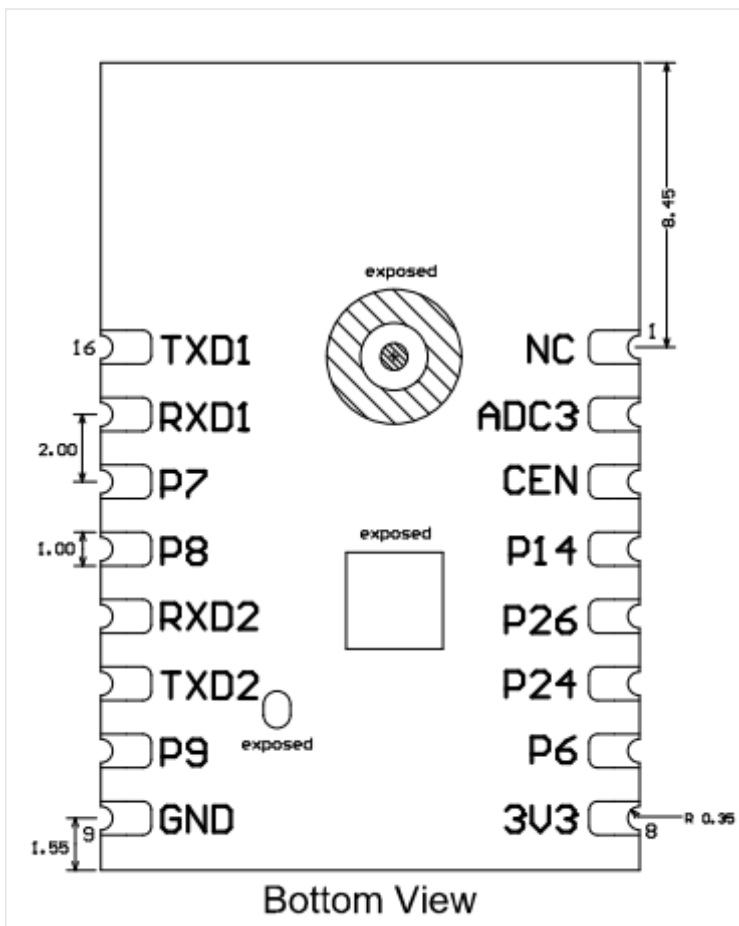
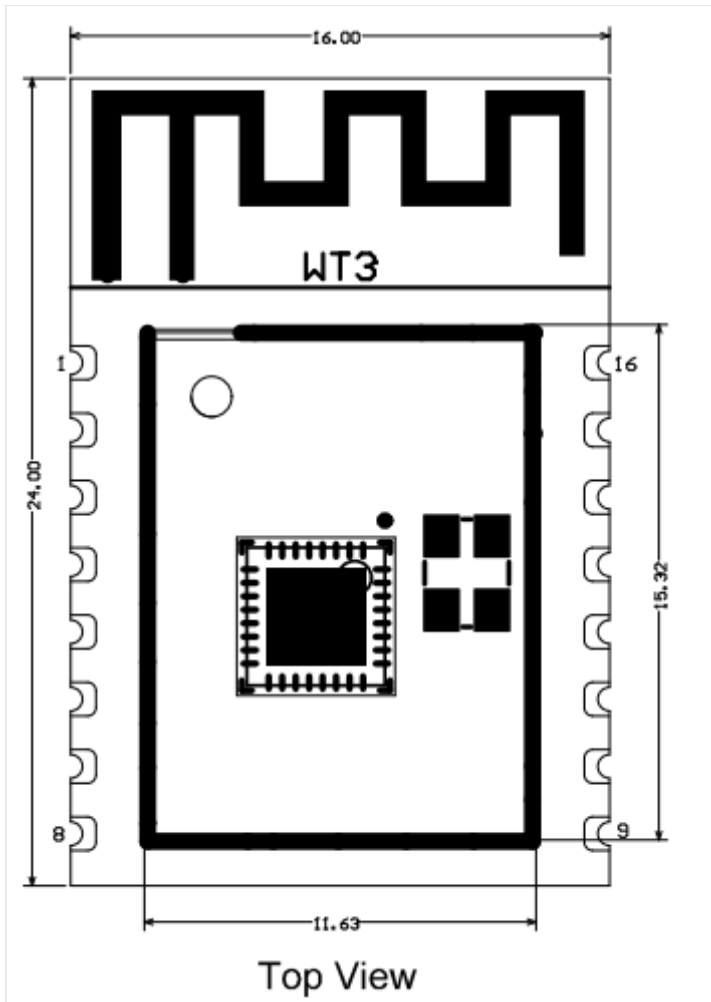


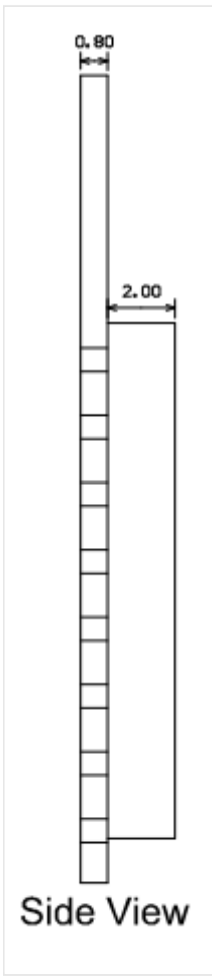
**Do not place any metal in the red area above the antenna.
The recommended diameter of the circular arc is greater than 3 cm.**

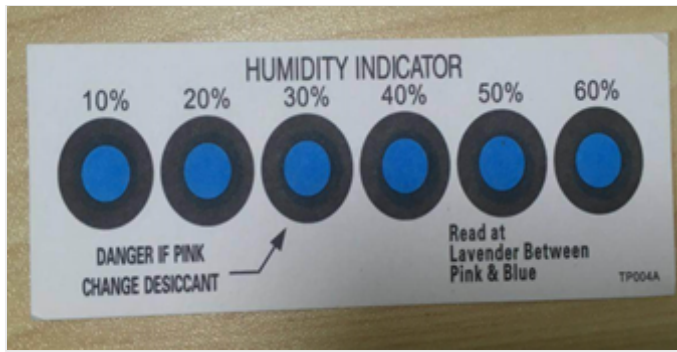


Packaging information and production instructions ↻

Mechanical dimensions ↻







3. The module needs to be baked in the following cases:

- The packaging bag is damaged before unpacking.
- There is no HIC in the packaging bag.
- After unpacking, circles of 10% and above on the HIC become pink.
- The total exposure time has lasted for over 168 hours since unpacking.
- More than 12 months has passed since the sealing of the bag.

4. Baking settings:

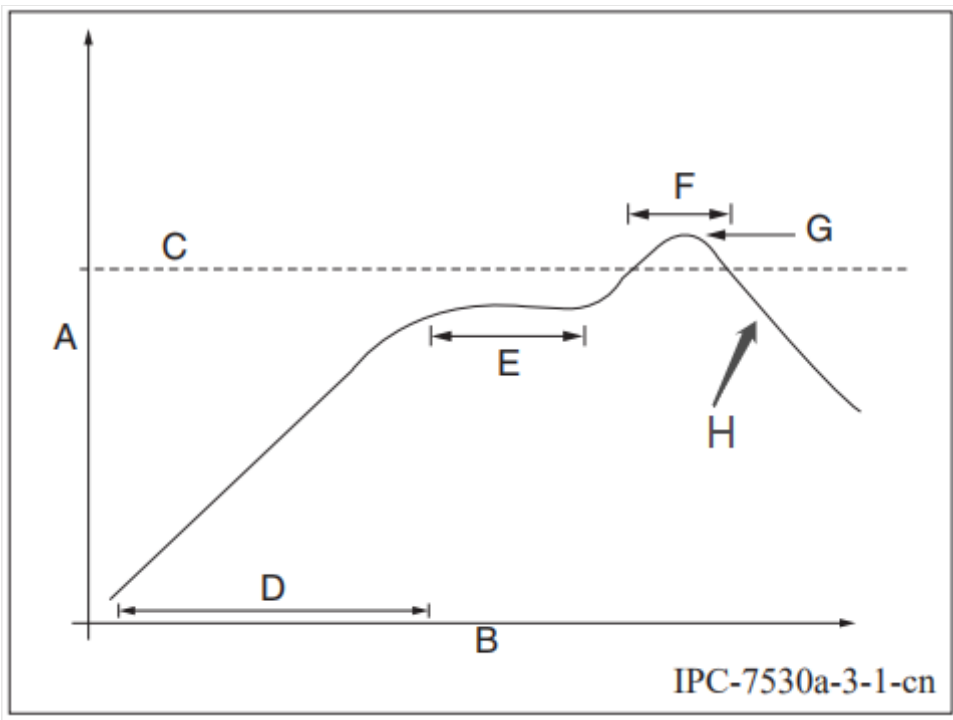
- Temperature: 60°C and $\leq 5\%$ RH for reel package and 125°C and $\leq 5\%$ RH for tray package (please use rather than plastic container)
- Time: 48 hours for reel package and 12 hours for tray package
- Alarm temperature: 65°C for reel package and 135°C for tray package
- Production-ready temperature after natural cooling: $< 36^\circ\text{C}$
- Re-baking situation: If a module remains unused for over 168 hours after being baked, it needs to be baked again.
- If a batch of modules is not baked within 168 hours, do not use the reflow soldering to solder them. Because Level-3 moisture-sensitive devices, they are very likely to get damp when exposed beyond the allowable humidity. If they are soldered at high temperatures, it may result in device failure or poor soldering.

5. In the whole production process, take electrostatic discharge (ESD) protective measures.

6. To guarantee the passing rate, it is recommended that you use the SPI and AOI to monitor the quality of mounting.

Recommended oven temperature curve ↻

Set oven temperatures according to the following temperature curve of reflow soldering. The peak temperatur



- A: Temperature axis
- B: Time axis
- C: Liquidus temperature: 217 to 220°C
- D: Ramp-up slope: 1 to 3°C/s
- E: Duration of constant temperature: 60 to 120s; the range of constant temperature: 150 to 200°C
- F: Duration above the liquidus: 50 to 70s
- G: Peak temperature: 235 to 245°C
- H: Ramp-down slope: 1 to 4°C/s

Note: The above curve is just an example of the solder paste SAC305. For more details about other sol refer to Recommended oven temperature curve in the solder paste specifications.

Storage conditions ↔

Appendix: Statement

FCC Caution: Any changes or modifications not expressly approved by the party responsible for compliance with FCC authority to operate this device.

This device complies with Part 15 of the FCC Rules. Operation is subject to the following two conditions: (1) This device must not cause harmful interference, and (2) this device must accept any interference received, including interference that may cause undesired operation.

Note: This device has been tested and found to comply with the limits for a Class B digital device, according to FCC Part 15. These limits are designed to provide reasonable protection against harmful interference in a residential installation. This device generates, uses, and can radiate radio frequency energy and, if not installed and used following the instructions in the user manual, may cause interference to radio communications. However, there is no guarantee that interference will not occur in a particular installation.

If this device does cause harmful interference to radio or television reception, which can be determined by turning the device off, the user is encouraged to try to correct the interference by one or more of the following measures:

- Reorient or relocate the receiving antenna.
- Increase the separation between the device and receiver.
- Connect the device into an outlet on a circuit different from that to which the receiver is connected.
- Consult the dealer or an experienced radio/TV technician for help.

Radiation Exposure Statement

This device complies with FCC radiation exposure limits set forth for an uncontrolled environment. This device should be used and operated with a minimum distance of 20cm between the radiator and your body.

Important Note

This radio module must not be installed to co-locate and operate simultaneously with other radios in the host product. Please refer to the FCC multi-transmitter product procedures. Additional testing and device authorization may be required to operate with other radios.

The availability of some specific channels and/or operational frequency bands are country-dependent and are determined at the factory to match the intended destination. The firmware setting is not accessible by the end-user.

The host product manufacturer is responsible for compliance with any other FCC rules that apply to the host product. This module transmitter grant of certification. The final host product still requires Part 15 Subpart B compliance testing with the transmitter installed.

The end-user manual shall include all required regulatory information/warnings as shown in this manual, including: "This device should be installed and operated with a minimum distance of 20 cm between the radiator and user body".

This device has got an FCC ID: 2ANDL-WT3. The end product must be labelled in a visible area with the following information: "Module FCC ID: 2ANDL-WT3".

This device is intended only for OEM integrators under the following conditions:

The antenna must be installed such that 20cm is maintained between the antenna and users, and the transmitter co-located with any other transmitter or antenna.

As long as the 2 conditions above are met, further transmitter tests will not be required. However, the OEM int for testing their end-product for any additional compliance requirements required with this module installed.

Declaration of Conformity European Notice



Hereby, Hangzhou Tuya Information Technology Co., Ltd declares that this module product complies with esse other relevant provisions of Directive 2014/53/EU, 2011/65/EU. A copy of the Declaration of conformity can be <https://www.tuya.com>.



This product must not be disposed of as normal household waste, under the EU directive for waste electrical a (WEEE-2012/19/EU). Instead, it should be disposed of by returning it to the point of sale, or a municipal recycli

The device could be used with a separation distance of 20cm to the human body.

About Us

About Tuya (<https://www.tuya.com/about>)

News (<https://www.tuya.com/news>)

Security and Compliance (<https://www.tuya.com/rule>)

Investor Relations (<https://ir.tuya.com>)

Help Center (<https://support.tuya.com/en/help>)

Technical Support (<https://service.console.tuya.com>)

Online Support (https://tuya.echatsoft.com/visitor/pc/chat.html?companyId=529362&echatTag=tuya_en&lan=en)

Developer Products

Product Development (<https://developer.tuya.com/en/product-development>)

Network Module (<https://developer.tuya.com/en/connectivity>)

Network Module (<https://developer.tuya.com/en/connectivity/>)

TuyaOS (<https://developer.tuya.com/en/tuyaos>)

IoT App SDK (<https://developer.tuya.com/en/iot-app-sdk>)

Cloud Development (<https://developer.tuya.com/en/cloud-development>)

IoT Edge Gateway (<https://developer.tuya.com/en/iot-edge-gateway>)

Product Solutions

Electrical (<https://www.tuya.com/solution/hardware/electrical>)

Lighting (<https://www.tuya.com/solution/hardware/lighting>)

Sensor (<https://www.tuya.com/solution/hardware/sensor>)

Kitchen Appliance (<https://www.tuya.com/solution/hardware/kitchen-appliance>)

Small Appliance (<https://www.tuya.com/solution/hardware/small-appliance>)

Pets (<https://www.tuya.com/solution/hardware/pets>)

Solution Center (<https://solution.tuya.com>)

Support

Help Center (<https://support.tuya.com/en/help>)

Documentation (<https://developer.tuya.com/en/docs/iot>)

Online Support (https://tuya01.udesk.cn/im_client/?web_plugin_id=179831&language=en-us)

Security and Compliance (<https://www.tuya.com/rule>)

Technical Support (<https://service.console.tuya.com>)

Tuya SRC (<https://src.tuya.com>)

844-672-5646 (tel:844-672-5646)

24/7 Service Hotline (tel:24/7 Service Hotline)

Marketing Cooperation

marketing@tuya.com

(<mailto:marketing@tuya.com>)

Business

Cooperation

vip@tuya.com

(<mailto:vip@tuya.com>)

Customer Service

service@tuya.com

(<mailto:service@tuya.com>)

Media Inqui

pr@tuya.com

(<mailto:pr@tuya.com>)

Contact Us (<https://www.tuya.com/contact>)

Tuya Expo

(<https://expo.tuya.com>)

App Mall (<https://mall.tuya.com>)

Tuya Go

(<https://go.tuya.com/en>)

(<https://github.com/tuya>)

(<https://www.facebook.com/tuyainc>)

(<https://twitter.com/tuyasmart>)

(<https://www.tuyasmart.com>)

[Privacy Policy \(https://auth.tuya.com/policies/privacy\)](https://auth.tuya.com/policies/privacy)

[Terms of Use \(https://auth.tuya.com/policies/service\)](https://auth.tuya.com/policies/service)

[California Privacy Notice \(https://auth.tuya.com/policies/CAprivacynotice\)](https://auth.tuya.com/policies/CAprivacynotice)

[Bug Bounty \(https://src.tuya.com\)](https://src.tuya.com) [Cookie Preferences](#)

© 2022 Tuya Inc.

English