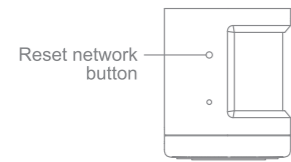


- Press and hold the reset button for 5 seconds, until the network indicator light begins flashing. Follow the App instructions to add the device.



- Once the device has been successfully added, you will be able to find the device in the "My home" list.

Product specifications

Product name	PIR
Product model	TP001-ZA
Battery specifications	CR2450
Detection distance	7 meters
Detection angle	170 degrees
Operating temperature	-10°C - 45°C
Operating humidity	10%-90% RH (no condensation)
Wireless connection	ZigBee

Items Not Under Warranty

1. Unauthorized repairs, misuse, collisions, negligence, abuse, exposure of the product to moisture or water, accidents, alterations, improper use of accessories, tearing or alteration of stickers or anti-counterfeiting marks;
2. The validity period of the warranty has passed.
3. Damage caused by force majeure;
4. Damage or malfunction caused by problems other than the design, technology, manufacturing, quality of the product.

Packing List

- PIRx 1
- Reset needle x 1
- Battery x 1
- Instruction manual x 1

Please read the instruction manual carefully before using the product

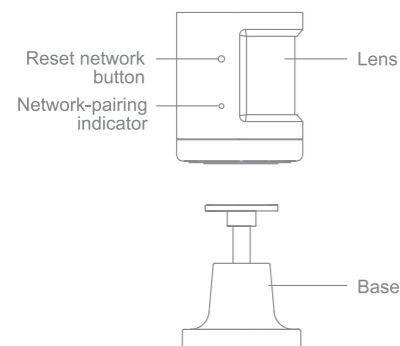
PIR

Product instruction manual



Product description

The human motion sensor uses infrared sensing to detect the movement of people or animals in the environment, and works in conjunction with other devices to design and implement smart application scenarios.



Preparation For Use

- 1 Mobile phone is connected to Wi-Fi



Ensure that the product is within the effective coverage of the smart host (gateway) ZigBee network to ensure an effective connection between the product and the smart host (gateway) ZigBee network.

*Make sure the smart host has been added.

Preparation For Use

- 2 Download and open the App

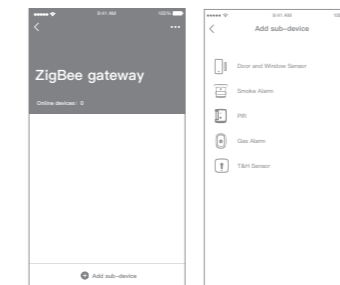
In the App Store, search for "TuyaSmart" or scan the QR code on the package/manual to download and install the smart App.

If you are downloading this App for the first time, please tap the "Register" button to register your account; If you already have an account, click the "Login" button.



Network settings

- Connect the device to the power source while ensuring that the phone is connected to the network and the smart gateway has been added successfully;
- Open the App and tap "Add sub-device" on the "Smart gateway" screen. Then, select "Human motion sensor";



Hangzhou Tuya Information Technology Co., Ltd
Address: Room701, Building3, More Center, No.87 GuDun Road, Hangzhou, Zhejiang, China
Contact us: b2b-service@tuya.com

FCC Statement

Any Changes or modifications not expressly approved by the party responsible for compliance could void the user's authority to operate the equipment.

This device complies with part 15 of the FCC Rules. Operation is subject to the following two conditions:

- (1) This device may not cause harmful interference, and
- (2) This device must accept any interference received, including interference that may cause undesired operation.

FCC Radiation Exposure Statement:

This equipment complies with FCC radiation exposure limits set forth for an uncontrolled environment. This equipment should be installed and operated with minimum distance 20cm between the radiator & your body.

Blank material no.	/		Product name	PIR	Material name	TP001-ZA	Design	
Material	105g Coated paper		Model	TP001-ZA	Material no	1.54.03.00041	Check	
Color	White		Designed code	TUYA. TP001-ZA.SMS.TYZX.WH.EN.01	Time	20181206		