



CBU-IPEX Module Datasheet

Hardware Product Development > Network Modules > Wi-Fi & BLE

Dual Mode Module > CB Series Module

Version: 20210226

Contents

1	Overview	2
1.1	Features	2
1.2	Applications	2
1.3	Change history	3
2	Module interfaces	3
2.1	Dimensions and package	3
2.2	Pin definition	4
3	Electrical parameters	8
3.1	Absolute electrical parameters	8
3.2	Normal working conditions	8
3.3	RF power consumption	9
3.4	Working current	9
4	RF parameters	10
4.1	Basic RF features	10
4.2	Wi-Fi transmission performance	11
4.3	Wi-Fi receiving performance	12
4.4	BLE transmission performance	12
4.5	BLE receiving performance	13
5	Antenna information	13
5.1	Antenna type	13
5.2	Antenna interference reduction	13
6	Packaging information and production instructions	14
6.1	Mechanical dimensions	14
6.2	Production instructions	14
6.3	Recommended oven temperature curve	16
7	MOQ and packaging information	17
8	Appendix: Statement	17



CBU-IPEX is a low-power embedded Wi-Fi module that Tuya has developed. It consists of a highly integrated RF chip BK7231N and a few peripherals, and not only supports the AP and STA dual-network-connection manner but supports the BLE network connection manner.

1 Overview

CBU-IPEX is built-in with a 32-bit MCU with a running speed of up to 120 MHz, 2Mbyte flash, and 256-KB RAM, so as to support the multi-cloud connection. The MCU's specially extended instructions for processing signals can effectively implement audio encoding and decoding. Besides, it has rich peripherals, such as PWM, UART, and SPI. The six 32-bit PWM output makes the chip very suitable for high-quality LED control.

1.1 Features

- Embedded low-power 32-bit CPU, which can also function as an application processor
- The clock rate: 120 MHz
- Working voltage: 3.0V to 3.6V
- Peripherals: 6 pulse width modulations (PWM), 2 universal asynchronous receiver/transmitter (UART), and 1 serial peripheral interface (SPI)
- Wi-Fi connectivity
 - 802.11 b/g/n
 - Channels 1 to 14@2.4 GHz
 - Support WEP, WPA/WPA2, and WPA/WPA2 PSK (AES) security modes
 - Up to + 16 dBm output power in 802.11b mode
 - Support STA/AP/STA+AP working mode
 - Support SmartConfig and AP network configuration manners for Android and iOS devices
 - FPC antenna with a gain of 3.3dBi
 - Working temperature: -40°C to 105°C
- BLE connectivity
 - 6 dBm transmit power in Bluetooth mode
 - Complete Bluetooth coexistence interface
 - FPC antenna with a gain of 3.3dBi

1.2 Applications

- Intelligent building

- Smart household and home appliances
- Smart socket and light
- Industrial wireless control
- Baby monitor
- Network camera
- Intelligent bus

1.3 Change history

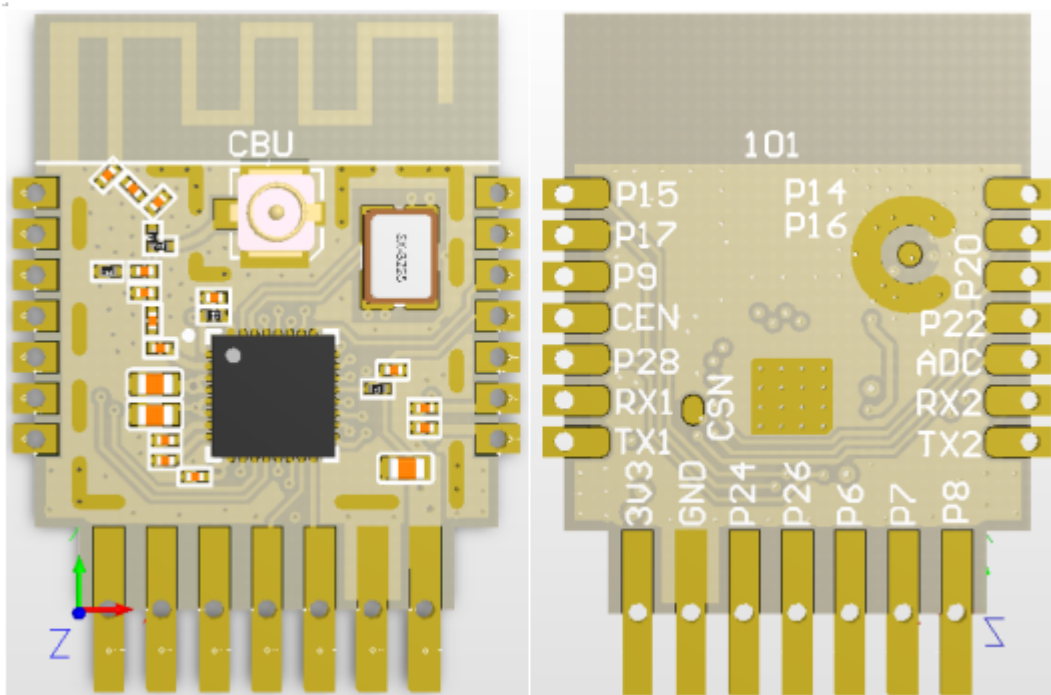
Update date	Updated content	Version after update
10/16/2020	This is the first release.	V1.0.0
11/24/2020	Updated test data	V1.0.1

2 Module interfaces

2.1 Dimensions and package

The CBU-IPEX dimensions are 15.8 ± 0.35 mm (L) \times 20.3 ± 0.35 mm (W) \times 2.7 ± 0.1 mm (H).

The dimensions of CBU-IPEX are as follows:



2.2 Pin definition

Pin number	Symbol	I/O type	Function
1	P14	I/O	Common GPIO, which can be reused as SPI_SCK
2	P16	I/O	Common GPIO, which can be reused as SPI_MOSI
3	P20	I/O	Common GPIO
4	P22	I/O	Common GPIO
5	ADC	I/O	ADC, which corresponds to P23 on the internal IC

Pin number	Symbol	I/O type	Function
6	RX2	I/O	UART_RX2, which corresponds to P1 on the internal IC
7	TX2	I/O	UART_TX2, which is used for outputting logs and corresponds to P0 of the internal IC
8	P8	I/O	Support hardware PWM
9	P7	I/O	Support hardware PWM
10	P6	I/O	Support hardware PWM
11	P26	I/O	Support hardware PWM
12	P24	I/O	Support hardware PWM
13	GND	P	Power supply reference ground
14	3V3	P	Power supply 3V3
15	TX1	I/O	UART_TX1, which is used for transmitting user data and corresponds to P11 of the internal IC

Pin number	Symbol	I/O type	Function
16	RX1	I/O	UART_RX1, which is used for receiving user data and corresponds to P10 of the internal IC
17	P28	I/O	Common GPIO
18	CEN	I/O	Reset pin
19	P9	I/O	Support hardware PWM
20	P17	I/O	Common GPIO, which can be reused as SPI_MISO
21	P15	I/O	Common GPIO, which can be reused as SPI_CS

Pin number	Symbol	I/O type	Function
Test point	CSN	I/O	Mode selection pin. If connected to the ground before powered on, enter the firmware test mode. If not connected or connected to VCC before powered on, enter the firmware application mode Correspond to P21 on the internal IC.

Note: P indicates a power supply pin and I/O indicates an input/output pin.

3 Electrical parameters

3.1 Absolute electrical parameters

Parameter	Description	Minimum value	Maximum value	Unit
Ts	Storage temperature	-55	125	°C
VBAT	Power supply voltage	-0.3	3.9	V
Static electricity discharge voltage (human body model)	TAMB-25°C	-4	4	KV
Static electricity discharge voltage (machine model)	TAMB-25°C	-200	200	V

3.2 Normal working conditions

Parameter	Description	Minimum value	Typical value	Maximum value	Unit
Ta	Working temperature	-40	-	105	°C
VBAT	Power supply voltage	3.0	3.3	3.6	V

Parameter	Description	Minimum value	Typical value	Maximum value	Unit
VOL	I/O low level output	VSS	-	VSS+0.3	V
VOH	I/O high level output	VBAT-0.3	-	VBAT	V
I _{max}	I/O drive current	-	6	20	mA

3.3 RF power consumption

Working status	Mode	Rate	Transmit power/receive	Average value	Peak value (Typical value))	Unit
Transmit	11b	11Mbps	+16dBm	270	304	mA
Transmit	11g	54Mbps	+15dBm	260	280	mA
Transmit	11n	MCS7	+14dBm	253	273	mA
Receive	11b	11 Mbps	Constantly receive	73	82	mA
Receive	11g	54 Mbps	Constantly receive	75	82	mA
Receive	11n	MCS 7	Constantly receive	75	82	mA

3.4 Working current

Working mode	Working status, Ta = 25°C	Average value	Maximum value (Typical value)	Unit
Quick network connection state (Bluetooth)	The module is in the fast network connection state and the Wi-Fi indicator flashes fast	70	270	mA
Quick network connection state (AP)	The module is in the hotspot network connection state and the Wi-Fi indicator flashes slowly	80	305	mA
Quick network connection state (EZ)	The module is in the fast network connection state and the Wi-Fi indicator flashes fast	87	380	mA
Network connection state	The module is connected to the network and the Wi-Fi indicator is always on	39	355	mA

4 RF parameters

4.1 Basic RF features

Parameter	Description
Working frequency	2.412 to 2.480 GHz
Wi-Fi standard	IEEE 802.11 b/g/n (channels 1 to 14)
Data transmission rate	11b: 1, 2, 5.5, 11 (Mbps); 11g: 6, 9, 12, 18, 24, 36, 48, 54 (Mbps); 11n: HT20 MCS0~7; 11n: HT40 MCS 0 to 7
Antenna type dBi	FPC antenna with a gain of 3.3

4.2 Wi-Fi transmission performance

Parameter	Minimum value	Typical value	Maximum value	Unit
Average RF output power, 802.11b CCK Mode 11M	-	16	-	dBm
Average RF output power, 802.11g OFDM Mode 54M	-	15	-	dBm
Average RF output power, 802.11n OFDM Mode MCS7	-	14	-	dBm
Frequency error	-20	-	20	ppm

4.3 Wi-Fi receiving performance

Parameter	Minimum value	Typical value	Maximum value	Unit
PER<8%, RX sensitivity, 802.11b DSSS Mode 11M	-	-88	-	dBm
PER<10%, RX sensitivity, 802.11g OFDM Mode 54M	-	-74	-	dBm
PER<10%, RX sensitivity, 802.11n OFDM Mode MCS7	-	-72	-	dBm
PER<10%, RX sensitivity, BLE 1M	-	-93	-	dBm

4.4 BLE transmission performance

Parameter	Minimum value	Typical value	Maximum value	Unit
Working frequency	2402	-	2480	MHz
Air rate	-	1	-	Mbps
TX power	-20	6	20	dBm

Parameter	Minimum value	Typical value	Maximum value	Unit
Frequency error	-150	-	150	kHz

4.5 BLE receiving performance

Parameter	Minimum value	Typical value	Maximum value	Unit
RX sensitivity	-	-93	-	dBm
Maximum RF signal input	-10	-	-	dBm
Inter-modulation	-	-	-23	dBm
Co-channel suppression ratio	-	10	-	dB

5 Antenna information

5.1 Antenna type

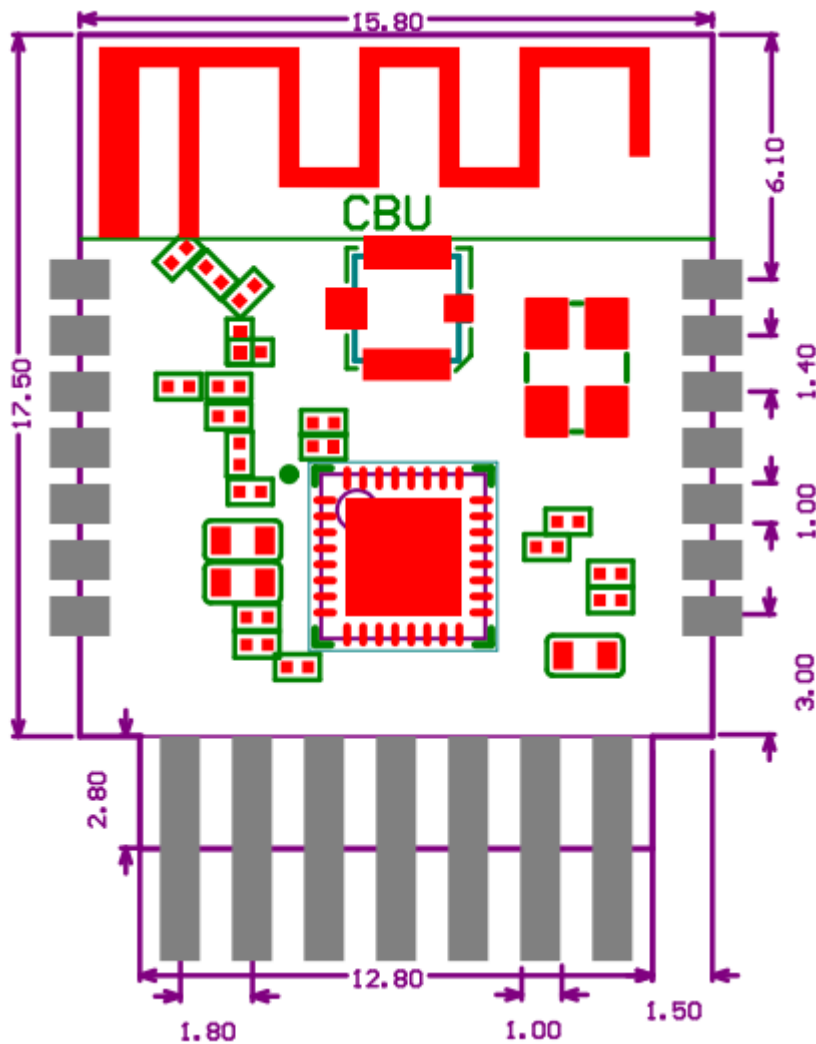
The CBU-IPEX uses only an FPC antenna.

5.2 Antenna interference reduction

It is recommended that the antenna be at least 15 mm away from other metal parts. To prevent an adverse impact on the antenna radiation performance, avoid copper or traces within the antenna area on the PCB.

6 Packaging information and production instructions

6.1 Mechanical dimensions



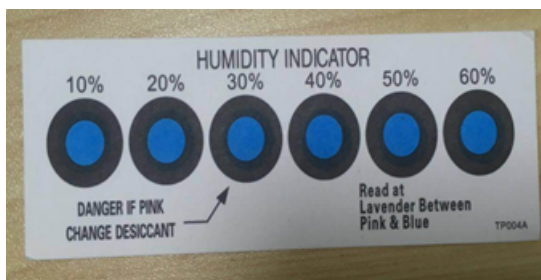
6.2 Production instructions

1. Mount Tuya's stamp hole package module with an SMT machine within 24 hours after unpacking and burning the firmware. Otherwise, the module must be packaged again under vacuum. The module must be baked before mounting.
 - SMT equipment:
 - Reflow soldering machine

- * Automated optical inspection (AOI) equipment
- * Nozzle with a 6 to 8 mm diameter
- Baking equipment:
 - Cabinet oven
 - Anti-static heat-resistant trays
 - Anti-static heat-resistant gloves

2. Storage conditions for a delivered module are as follows:

- The moisture-proof bag must be placed in an environment where the temperature is below 30°C and the relative humidity is lower than 70%.
- The shelf life of a dry-packaged product is 6 months from the date when the product is packaged and sealed.
- The package contains a humidity indicator card (HIC).



3. Bake a module based on HIC status as follows when you unpack the module package:

- If the 30%, 40%, and 50% circles are blue, bake the module for 2 consecutive hours.
- If the 30% circle is pink, bake the module for 4 consecutive hours.
- If the 30% and 40% circles are pink, bake the module for 6 consecutive hours.
- If the 30%, 40%, and 50% circles are pink, bake the module for 12 consecutive hours.

4. Baking settings:

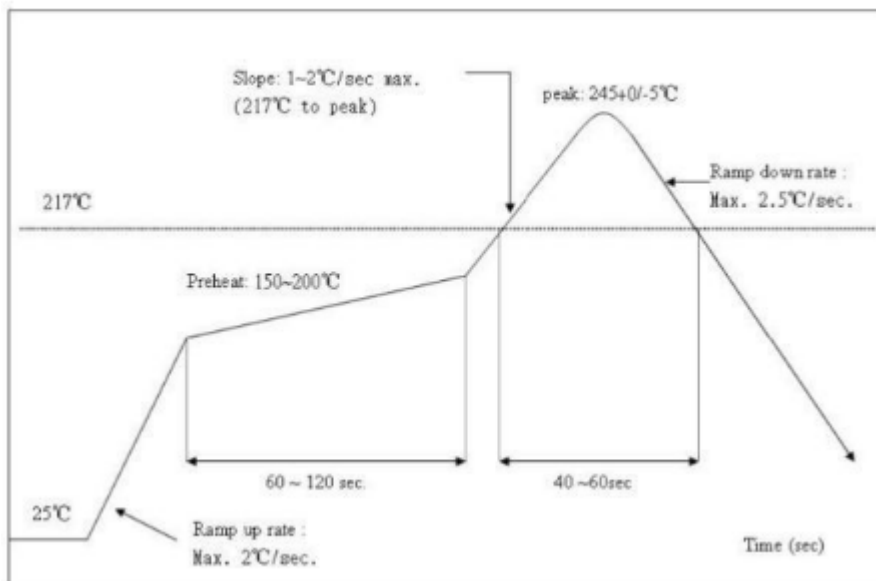
- Baking temperature: 125±5°C
- Alarm temperature: 130°C
- SMT ready temperature: naturally cooling temperature: < 36°C
- The number of drying times: 1
- Rebaking condition: The module is not soldered within 12 hours after baking.

5. Do not use SMT to process modules that have been unpacked for more than 3 months, because electroless nickel/immersion gold (ENIG) is used for PCBs and they are seriously oxidized for over 3 months. SMT is very likely to cause pseudo and missing soldering. Tuya is not liable for such problems and consequences.
6. Before using SMT, take electrostatic discharge (ESD) protective measures.
7. To reduce the reflow defect rate, draw 10% of the products for visual inspection and AOI before the first mounting, to determine the rationality of oven temperature control and component attachment and placement manners. Draw 5 to 10 modules from subsequent batches each hour for visual inspection and AOI.

6.3 Recommended oven temperature curve

Perform SMT based on the following reflow oven temperature curve. The highest temperature is 245°C. The reflow temperature curve is as below:

Refer to IPC/JEDEC standard; Peak Temperature: $245\pm 5^{\circ}\text{C}$; Number of Times: ≤ 2 times;



7 MOQ and packaging information

Product number	MOQ (pcs)	Shipping packaging method	The number of modules per reel	The number of reels per carton
CBU-IPEX	3600	Tape reel	900	4

8 Appendix: Statement

FCC Caution: Any changes or modifications not expressly approved by the party responsible for compliance could void the user’s authority to operate this device.

This device complies with Part 15 of the FCC Rules. Operation is subject to the following two conditions: (1) This device may not cause harmful interference, and (2) this device must accept any interference received, including interference that may cause undesired operation.

Note: This device has been tested and found to comply with the limits for a Class B digital device, according to part 15 of the FCC Rules. These limits are designed to provide reasonable protection against harmful interference in a residential installation. This device generates, uses, and can radiate radio frequency energy and, if not installed and used following the instructions, may cause harmful interference to radio communications. However, there is no guarantee that interference will not occur in a particular installation.

If this device does cause harmful interference to radio or television reception, which can be determined by turning the device off and on, the user is encouraged to try to correct the interference by one or more of the following measures:

- Reorient or relocate the receiving antenna.
- Increase the separation between the device and receiver.
- Connect the device into an outlet on a circuit different from that to which the receiver is connected.
- Consult the dealer or an experienced radio/TV technician for help.

Radiation Exposure Statement

This device complies with FCC radiation exposure limits set forth for an uncontrolled

rolled environment. This device should be installed and operated with a minimum distance of 20cm between the radiator and your body.

Important Note

This radio module must not be installed to co-locate and operating simultaneously with other radios in the host system except following FCC multi-transmitter product procedures. Additional testing and device authorization may be required to operate simultaneously with other radios.

The availability of some specific channels and/or operational frequency bands are country dependent and are firmware programmed at the factory to match the intended destination. The firmware setting is not accessible by the end-user.

The host product manufacturer is responsible for compliance with any other FCC rules that apply to the host not covered by the modular transmitter grant of certification. The final host product still requires Part 15 Subpart B compliance testing with the modular transmitter installed.

The end-user manual shall include all required regulatory information/warnings as shown in this manual, including “This product must be installed and operated with a minimum distance of 20 cm between the radiator and user body”.

This device has got an FCC ID: 2ANDL-CBU-IPEX. The end product must be labeled in a

visible area with the following: “Contains Transmitter Module FCC ID: 2ANDL-CBU-IPEX”.

This device is intended only for OEM integrators under the following conditions:

The antenna must be installed such that 20cm is maintained between the antenna and users, and the transmitter module may not be co-located with any other transmitter or antenna.

As long as the 2 conditions above are met, further transmitter tests will not be required. However, the OEM integrator is still responsible for testing their end-product for any additional compliance requirements required with this module installed.

Declaration of Conformity European Notice



Hereby, Hangzhou Tuya Information Technology Co., Ltd declares that this module product is in compliance with essential requirements and other relevant provisions

of Directive 2014/53/EU,2011/65/EU. A copy of the Declaration of conformity can be found at <https://www.tuya.com>.



This product must not be disposed of as normal household waste, in accordance with the EU directive for waste electrical and electronic equipment (WEEE-2012/19/EU). Instead, it should be disposed of by returning it to the point of sale, or to a municipal recycling collection point.

The device could be used with a separation distance of 20cm to the human body.