

71569-DI - True Wireless Speaker - Grey

GTECH

Bluetooth®

True Wireless Speaker

with Multi-Color Lighting



User Manual


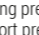
ITEM:71567-DI/ 71569-DI

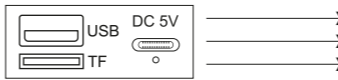
Thank you for purchasing the CJ Tech True Wireless Speaker. Immerse yourself in a world of pure and balanced sound with the CJ Tech True Wireless Speaker. Built-in True Wireless Technology allows you can connect two of these speakers together to experience a surround sound affect (speakers sold individually). 5-Watts of raw power with a 1200 mAh rechargeable battery allows for hours of endless music. The RGB LED light provides a cool multi-color lighting affect while the tunes are playing.




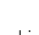
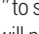
PRODUCT SPECIFICATION

Output Power: 5W
 Speaker: 66mm 3Ω 5W
 Rechargeable Battery : 1200 mAh
 Transmission Distance: 10M
 Sensitivity: ≤1%
 Frequency Response: 85Hz-18KHz
 SNR: ≥85dB
 FM Radio: 87.5-108 MHz
 DC/5V: Input: DC 5V/1A
 Operating Voltage DC 5V
 Charging Time: 2-3 hours
 Play Time: 3-4 hours
 Functions: Bluetooth®, Hands-free,TF/SD card, USB, FM ,RGB lights,TWS

FUNCTION OPERATING INSTRUCTIONS

- A: USB Port
 B: TF Card Port
 C: Type-C Charging Port
 D: Button “+”, Long press for volume up +, Short press for next song.
 E: Button: Power/RGB Lighting “”, long press to power ON or OFF the speaker. Short press to activate RGB LED lighting.
 F: Button Pause/Mode “”, long press to switch between Bluetooth® and FM mode. Short press to Play/Pause.
 G: Button “|”, Long press for volume down -, Short press to go back to previous song.



- 1. Call Answer:** When a phone call comes in, press the pause/mode button “” to answer the call.
- 2. Call hang up:** When the phone call ends, press the pause/mode button “” to hang up the phone.
Note: If you have an incoming phone call and you don't want to answer it, double press the pause/mode button “” to reject the call.
- 3. Last Number Redial:** If speaker is playing music or on standby, double press the pause/mode button “” to dial the last call in your call log.
- 4. FM function:** The FM function works when the charging cable is plugged in and used as an antenna. In FM mode, long press the pause/mode button “” to scan for radio stations, the blue lights will flash. After the searching, the blue lights will not flash any more. Then press button “|” for previous radio station and button “+” for next radio station.
- 5. TWS function:** You can pair these speakers together for a surround sounds affect: double press the “+” button and you will hear a tone advising that the speaker is searching for the second speaker. The two speakers will connect automatically and you will hear another voice prompt “the Bluetooth® is connected successfully” which means they are now connected to each other. Once speakers are paired to each other follow the Bluetooth® instructions to connect to your smartphone or device.
Note: Make sure the two speakers are not connected via Bluetooth® to any other device when TWS pairing or it won't work.
 To disconnect the True Wireless function, double press the “+” button.

PACKING LIST

- 1 * CJ Tech True Wireless Speaker
- 1 * Type-C® Charging Cable

REMARK

- 1. Re-Connect:** After you have gone through the Bluetooth® pairing process and you turn ON the CJ Tech True Wireless Speaker again, it will automatically connected to your smartphone.
- 2. Double-click “+” button** to disconnect the speaker from current smartphone or device, then another smartphone or device can connect the speaker.
- 3. Low Battery:** When the CJ Tech True Wireless Speaker as low battery, it will make a sound advising you need to recharge.

PAIRING YOUR SPEAKER TO YOU SMARTPHONE OR DEVICE

1. Turn ON the speaker and blue lights will flash advising that it is in pairing mode.
2. Turn ON the Bluetooth® in your smartphone settings and search for “CJ Tech True Wireless Speaker” and select it. Your will hear a prompt advising the speaker is paired successfully.

CONTROLLING & TURNING OFF THE RGB MULTI-COLOR LIGHTING

1. Once the speaker is ON you can press the Power/RGB button to control the LED lighting on this speaker.
2. Short press this button to move between 4 different color modes or to turn OFF the LED lighting.

FREQUENTLY ASKED QUESTIONS

QUESTIONS	SOLUTIONS
Unsuccessful Pairing	<ol style="list-style-type: none"> 1. Make sure the speaker is in Bluetooth® mode. 2. Make sure the speaker is not paired to another smartphone or device. 3. Make sure there are no other Bluetooth® devices nearby as they could cause interference. 4. Turn OFF and then ON the Bluetooth® setting in your smartphone or device and go through the pairing process again.
Sound Distortion	<ol style="list-style-type: none"> 1. Check the volume level on your smartphone/device and also the speaker. 2. If the speaker is low in battery power this will affect the sound quality. Recharge the speaker.
Music Cutting In and Out	<ol style="list-style-type: none"> 1. The speaker needs to be within 10 meters of your smartphone/device when streaming music.
LED Light not Flashing in Bluetooth® Pairing Mode	<ol style="list-style-type: none"> 1. The battery is low in power and you need to recharge it. 2. Turn OFF and the ON the speaker.

WARNINGS

1. Please store and use the speaker in room temperature environment.
2. Do not expose this speaker to extreme heat, damp or wet conditions.
3. Do not disassemble or try to repair this speaker yourself. This should be done by a qualified service technician.
4. Speaker could cause hearing damage if you play music at high volume for long periods of time. Do not play in excessively high volume for long periods of time.

FCC Statement

This device complies with part 15 of the FCC Rules. Operation is subject to the following two conditions:
 (1) This device may not cause harmful interference, and (2) this device must accept any interference received, including interference that may cause undesired operation.
Any Changes or modifications not expressly approved by the party responsible for compliance could void the user's authority to operate the equipment.

Note: This equipment has been tested and found to comply with the limits for a Class B digital device, pursuant to part 15 of the FCC Rules. These limits are designed to provide reasonable protection against harmful interference in a residential installation. This equipment generates, uses and can radiate radio frequency energy and, if not installed and used in accordance with the instructions, may cause harmful interference to radio communications. However, there is no guarantee that interference will not occur in a particular installation. If this equipment does cause harmful interference to radio or television reception, which can be determined by turning the equipment off and on, the user is encouraged to try to correct the interference by one or more of the following measures:

- Reorient or relocate the receiving antenna.
- Increase the separation between the equipment and receiver.
- Connect the equipment into an outlet on a circuit different from that to which the receiver is connected.
- Consult the dealer or an experienced radio/TV technician for help.

The device has been evaluated to meet general RF exposure requirement. The device can be used in portable exposure condition without restriction.

The Bluetooth® word mark and logos are registered trademarks owned by the Bluetooth SIG, Inc. and any use of such marks by CJ Global is under license. Other trademarks and trade names are those of their respective owners.

USB Type-C® and USB-C® are registered trademarks of USB Implementers Forum.

GTECH is distributed by **CJ Global Inc.**
 All rights reserved. 2010 Maple Ave Fair Lawn NJ 07410

MADE IN CHINA

110*140mm / 330*280mm