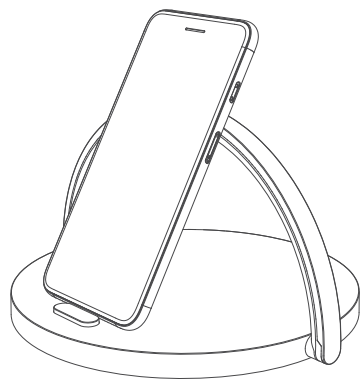


正

## 无线充小台灯

### 产品使用说明

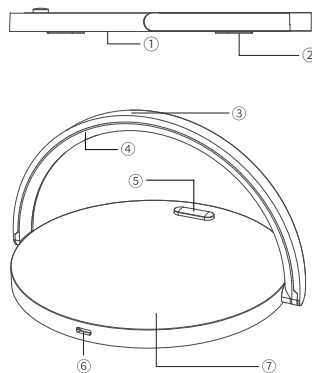


非常感谢您选择我司产品,在使用产品前请您认真阅读好产品说明

### 产品特点

- 造型简易精致.
- 手机支架功能.
- 可调节支架.
- 充电距离≤8mm.

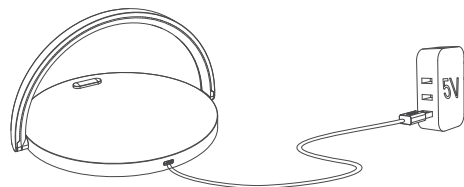
### 外观按键



- ① 五金电解板
- ② 硅胶防滑垫
- ③ 散热拉丝铝
- ④ PP灯罩
- ⑤ 轻触开关
- ⑥ Type-C接口
- ⑦ 进口环保遮光ABS

### 操作方法

1. 将USB数据线的USB端口接入电源适配器, Type-C端接入无线充电器.
2. 产品通电后, 产品指示灯蓝白灯互闪, 白灯常亮.
3. 将需要充电的设备放在本产品的充电指示区域, 白灯转为蓝灯, 蓝灯常亮, 进入充电状态.



### 功能解析

#### 灯光触摸功能

- 连续触摸两次启动灯光第一档30%亮度
- 触摸第二次灯光亮度为70%
- 触摸第三次灯光亮度为100%
- 灯光开启时, 连续触摸两次关闭灯光



### 适用设备

智能识别充电设备;兼容各大品牌,符合Qi标准的手机设备:

苹果:iPhone X iPhone XR iPhone XS iPhone XS Max  
三星:Galaxy S6 Galaxy S7 Galaxy S8 Galaxy S9 Note 8 Note 9  
华为:Mate RS Mate 20 Pro Mate 20 RS P30 Pro  
小米:MIX 2S MIX 3 MI9  
(以上为部分主流设备)

注:

本产品支持快速无线充电功能,符合Qi无线充电标准;通过磁感应方式实现短距离无线电能传输,本设备支持所有符合Qi标准的无线充电设备.使用5V输出的适配器时,无线充电器支持5W负载.使用符合QC2.0及以上标准的适配器时,无线充电器支持10W负载;设有过充保护,过压保护(9V)及过流保护(2A).

### 注意事项

- 请勿长时间在阳光直射或高温的地方使用、存放该产品.
- 请勿在离磁卡、磁记录媒体和精密的仪器太近的地方充电.
- 请勿分解或改造本产品.
- 请勿用湿手触碰交流适配器.
- 请将本产品远离水或其它液体.
- 如果您想清洁本产品,请断开电源.
- 产品工作环境温度范围:-20—45°C.

### 规格参数

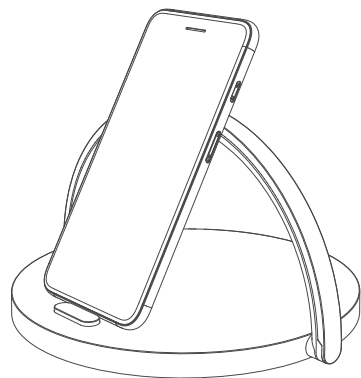
产品材料:进口ABS+PP+五金  
电源输入:DC5V/2.1A 9V/1.67A  
电源输出:DC5V/1A 9V/1.2A  
充电效率:75%  
功率:10W  
产品尺寸:191×203×13mm  
产品重量:380g  
电源充电口为国际通用Type C端口

### 包装配件

无线充电器:1\*  
USB电源线:1\*  
说明书:1\*  
包装盒:1\*  
环保吸塑盒:1\*

反

### Product instructions

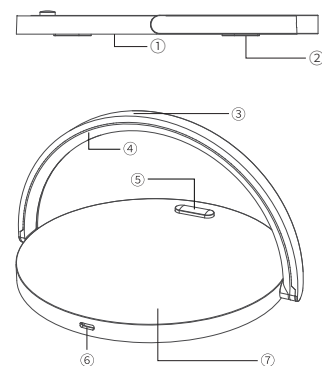


Thank you very much for choosing our products. please read the product description carefully before using the product.

### Features of the product

- Simple and exquisite shape
- Mobile phone stand function
- Adjustable holder
- Charging distance ≤8mm

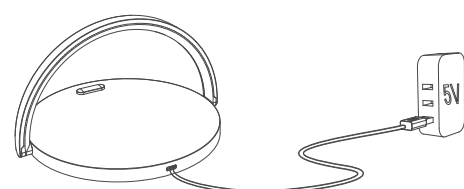
### Appearance button



- ① Metal electrolytic board
- ② Silicone mat
- ③ Heat-drawn brushed aluminum
- ④ PP lampshade
- ⑤ Tact switch
- ⑥ Type-C interface
- ⑦ Shading ABS

### Operation method

1. Connect the USB port of the USB cable to the power adapter and the Type-C port to the wireless charger.
2. After the product is powered on, the product indicator lights flash blue and white, and the white light is always on.
3. Place the device to be charged in the charging indication area of the product. The white light turns blue, the blue light is always on, and the charging state is entered.



### Light touch function

- Continuous touch twice to start the first 30% brightness of the light.
- Touch the second light with a brightness of 70%
- Touch the third light brightness to 100%
- Tough the key twice to turn off the light when it is on.

### Applicable equipment

Intelligent identification of charging devices; compatible with major brands, meet the Qi standard of mobile devices:

Samsung: Galaxy S6 /Galaxy S7 /Galaxy S8 / Note8 / Note9  
Apple: iPhone 8 / iPhone X iPhone XR iPhone XS iPhone XS Max  
Huawei: P30 Pro / Mate20 Pro / Mate 20 RS  
Xiao MI: MI9 / MIX 2S / MIX 3  
(The above are some mainstream devices)

This product supports fast wireless charging function, which is in line with Qi wireless charging standard; Short-range radio energy transmission is realized through magnetic induction. This device supports all mobile devices meeting Qi standard; When using a 5V output adapter, the wireless charger supports a 5W load. The wireless charger supports a 10W load when using an adapter conforming to QC2.0 or above; With overcharge protection, overvoltage protection (9V) and overcurrent protection (2A).

### Precautions

- Do not use or store the product for long periods of time in direct sunlight or high temperatures.
- Do not charge too close to magnetic cards, magnetic recording media and precision instruments.
- Do not disassemble or modify this product.
- Do not touch the AC adapter with wet hands.
- Keep this product away from water or other liquids.
- If you want to clean the product, please disconnect the power.
- Product working environment temperature range: -20-45 ° C.

### Product parameters

Product material: imported ABS+PP+ hardware  
Power input: DC5V/2.1A 9V/1.67A  
Power output: DC5V/1A 9V/1.2A  
Charging efficiency: 75%  
Power: 10W  
Product size: 191 × 203 × 13mm  
Product weight: 380g  
Power supply port is the international common Type C port

### Packaging accessories

Wireless charger: 1\*  
USB power cord: 1\*  
Description Book: 1\*  
Packing box: 1\*  
Environmentally friendly plastic box: 1\*

## FCC Statement

This device complies with part 15 and part 18 of the FCC Rules. Operation is Subject To the following two conditions:

(1) This device may not cause harmful interference, and (2) this device must accept any interference received, including interference that may cause undesired operation. Changes or modifications not explicitly approved by the party responsible for compliance could void the user's authority to operate this equipment.

Note: this equipment has been tested and found to comply with the limits for a Class B digital device, pursuant to part 15 and part 18 of the FCC Rules. These limits are designed to provide reasonable protection against harmful interference in a residential installation. This equipment generates, uses and can radiate radio frequency energy and, if not installed and used in accordance with the instructions, may cause harmful interference to radio communications. However, there is no guarantee that interference will not occur in a particular installation. If this equipment does cause harmful interference to radio or television reception, which can be determined by turning the equipment off and on, the user is encouraged to try to correct the interference by one or more of the following measures:

- Reorient or relocate the receiving antenna.
- Increase the separation between the equipment and receiver.
- Connect the equipment into an outlet on a circuit different from that to which the receiver is connected.
- Consult the dealer or an experienced radio/TV technician for help.

The equipment complies with FCC radiation exposure limits set forth for an uncontrolled environment. During the operation of device a distance of 15 cm surrounding the device and 20 cm above the top surface of the device must be respected.

This device complies with Part 18 of the FCC Rules. This equipment generates uses and can radiate radio frequency energy and, if not installed and used in accordance with the instructions, may cause harmful interference to radio communications. If this equipment does cause harmful interference to radio or television reception, which can be determined by turning the equipment off and on, the user is encouraged to try to correct the interference by one or more of the following measures:

- Increase the separation between the equipment and any other radio device.
- Connect the equipment into an outlet on a circuit different from that to which the receiver is connected.

**ISED Statement**

- English: This device complies with Industry Canada license - exempt RSS standard(s). Operation is subject to the following two conditions: (1) This device may not cause interference, and (2) This device must accept any interference, including interference that may cause undesired operation of the device. The digital apparatus complies with Canadian CAN ICES - 3 (B)/NMB - 3(B).

- French: Le présent appareil est conforme aux CNR d'Industrie Canada applicables aux appareils radio exempts de licence. L'exploitation est autorisée aux deux conditions suivantes: (1) l'appareil ne doit pas produire de brouillage, et (2) l'utilisateur de l'appareil doit accepter tout brouillage radioélectrique subi, même si le brouillage est susceptible d'en compromettre le fonctionnement.

This radio transmitter has been approved by Industry Canada to operate with the antenna types listed with the maximum permissible gain indicated. Antenna types not included in this list, having a gain greater than the maximum gain indicated for that type, are strictly prohibited for use with this device.

Le présent émetteur radio a été approuvé par Industrie Canada pour fonctionner avec les types d'antenne énumérés ci-dessous et ayant un gain admissible maximal. Les types d'antenne non inclus dans cette liste, et dont le gain est supérieur au gain maximal indiqué, sont strictement interdits pour l'exploitation de l'émetteur.