



Address : 6F-1, No.447, Sec.3, WenXin Rd., TaiChung City 40667, Taiwan (R.O.C)

Tel : 886-4-3703-6518

Fax : 886-4-3703-6508

MANUAL

使用手冊

CUSTOMER	
Item P/N	CS63038
DESCRIPTION	BT Module_BT5.0
Document Number	CS63038
DATE	

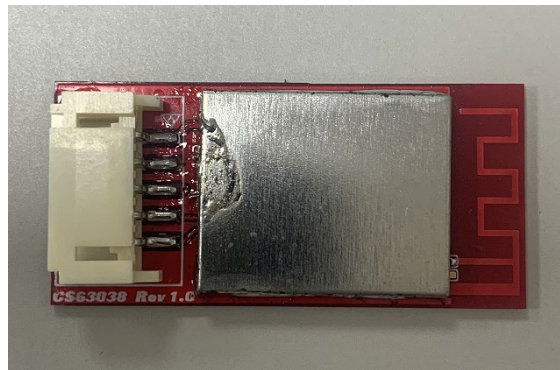
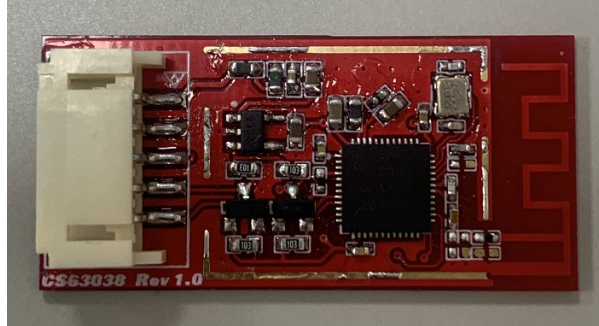
This document contains confidential and proprietary information of CORESTARCo., Ltd and shall not be duplicated or otherwise transferred to a third party without the express written consent of CORESTAR.

本文件所包含內容所屬於合興數位股份有限公司(CorsStar Co., Ltd)之規格文件及專有技術資料所有，不得未經由合興數

位公司同意而擅自轉載或以不明確的書面或其他方式轉讓給第三方。

1. Hardware overview

1.1 Main Board PCB Physical Specifications

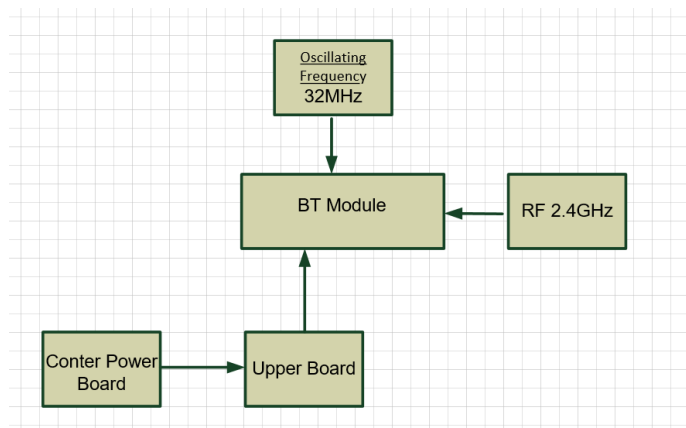


1.2 Connector Definitions

J1 CTRL CON

Pin No.	DESCRIPTION	Pin No.	DESCRIPTION	Pin No.	DESCRIPTION	Pin No.	DESCRIPTION
1	+5V	2	GND	3	HV_RXD	4	HV_TXD
5	REV						

Operational description



1.3 The Conter Power Board provides power to the Upper Board, which supplies power to the BT Module

- 1.4 Mobile phone open Fitness_Sole APP search BT Module device use °
2. Operating frequency : 2402 ~ 2480MHz
3. Modulation: GFSK
4. PCB antenna / Odbi

IC WARING STATEMENT

Canada, Industry Canada (IC) Notices

CAN ICES-003(B) / NMB-003(B)

Operation is subject to the following two conditions:

(1) this device may not cause interference, and (2) this device must accept any interference, including interference that may cause undesired operation of the device.

Canada, avis d'Industry Canada (IC)

Cet appareil numérique de classe B est conforme aux normes canadiennes ICES-003 et RSS-247.

Son fonctionnement est soumis aux deux conditions suivantes : (1) cet appareil ne doit pas causer d'interférence et (2) cet appareil doit accepter toute interférence, notamment les interférences qui peuvent affecter son fonctionnement.

Radio Frequency (RF) Exposure Information

The radiated output power of the Wireless Device is below the Industry Canada (IC) radio frequency exposure limits. The Wireless Device should be used in such a manner such that the potential for human contact during normal operation is minimized.

FCC WARING STATEMENT

This device complies with Part 15 of the FCC Rules. Operation is subject to the following two conditions:

(1) this device may not cause harmful interference and

(2) this device must accept any interference received, including interference that may cause undesired operation.

This equipment has been tested and found to comply with the limits for a Class B digital device, pursuant to part 15 of the FCC rules. These limits are designed to provide reasonable protection against harmful interference in a residential installation. This equipment generates, uses and can radiate radio frequency energy and, if not installed and used in accordance with the instructions, may cause harmful interference to radio communications. However, there is no guarantee that interference will not occur in a particular installation. If this equipment does cause harmful interference to radio or television reception, which can be determined by turning the equipment off and on, the user is encouraged to try to correct the interference by one or more of the following measures:

-Reorient or relocate the receiving antenna.

-Increase the separation between the equipment and receiver.

-Connect the equipment into an outlet on a circuit different from that to which the receiver is connected.

-Consult the dealer or an experienced radio/TV technician for help.

You are cautioned that changes or modifications not expressly approved by the party responsible for compliance could void your authority to operate the equipment.

Information to OEM integrator

The OEM integrator has to be aware not to provide information to the end user regarding how to install or remove this RF module in the user manual of the end product. The user manual which is provided by OEM integrators for end users must include the following information in a prominent location.

1. Only those antennas with same type and lesser gain filed under this FCC ID number can be used with this device.
2. The regulatory label on the final system must include the statement: "Contains FCC ID: 2ANCG-CS63038 "
3. The final system integrator must ensure there is no instruction provided in the user manual or customer documentation indicating how to install or remove the transmitter module except such device has implemented two-ways authentication between module and the host system.