



Address : 6F-1, No.447, Sec.3, WenXin Rd., TaiChung City 40667, Taiwan (R.O.C)

Tel : 886-4-3703-6518

Fax : 886-4-3703-6508

MANUAL

使用手冊

CUSTOMER	
Item P/N	CS63024-00
DESCRIPTION	Audio Driver Board with BT Module
Document Number	CS63024-00
DATE	

Customer Signature

APPROVED BY		DATE	
--------------------	--	-------------	--

CoreStar Signature

Sales	R&D Approved	Electrical Engineering	Software Engineering

This document contains confidential and proprietary information of CORESTARCo., Ltd and shall not be duplicated or otherwise transferred to a third party without the express written consent of CORESTAR.

本文件所包含內容所屬於合興數位股份有限公司(CorsStar Co., Ltd)之規格文件及專有技術資料所有，不得未經由合興數位公司同意而擅自轉載或以不明確的書面或其他方式轉讓給第三方。

Revision History

Rev.	Description	Release Date
01	Initial Release	
02		
03		
04		
05		
06		
07		
08		
09		
10		
11		
12		
13		
14		
15		
16		
17		
18		
19		
20		

Initial Release Approval

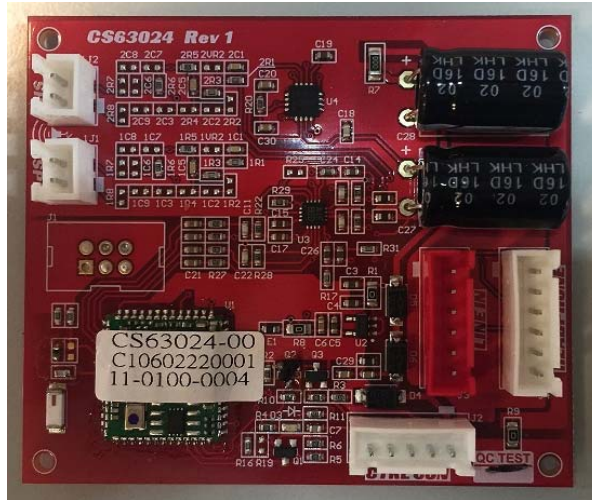
Originator		Date	
F/W Engineer		Date	
H/W Engineer		Date	
Approved		Date	

Revision Release Approval

Originator		Date	
F/W Engineer		Date	
H/W Engineer		Date	
Approved		Date	

1. Hardware overview

1.1 Main Board PCB Physical Specifications



1.2 Connector Definitions

1J1 Speaker Output

Pin No.	DESCRIPTION	Pin No.	DESCRIPTION	Pin No.	DESCRIPTION	Pin No.	DESCRIPTION
1	R+	2	R-				

1J2 Speaker Output

Pin No.	DESCRIPTION	Pin No.	DESCRIPTION	Pin No.	DESCRIPTION	Pin No.	DESCRIPTION
1	L+	2	L-				

J2 CTRL CON

Pin No.	DESCRIPTION	Pin No.	DESCRIPTION	Pin No.	DESCRIPTION	Pin No.	DESCRIPTION
1	+6V	2	GND	3	Status	4	BT EN
5	BT RST						

J3 LINE IN

Pin No.	DESCRIPTION	Pin No.	DESCRIPTION	Pin No.	DESCRIPTION	Pin No.	DESCRIPTION
1	+6V	2	GND	3	Status	4	BT EN
5	BT RST						

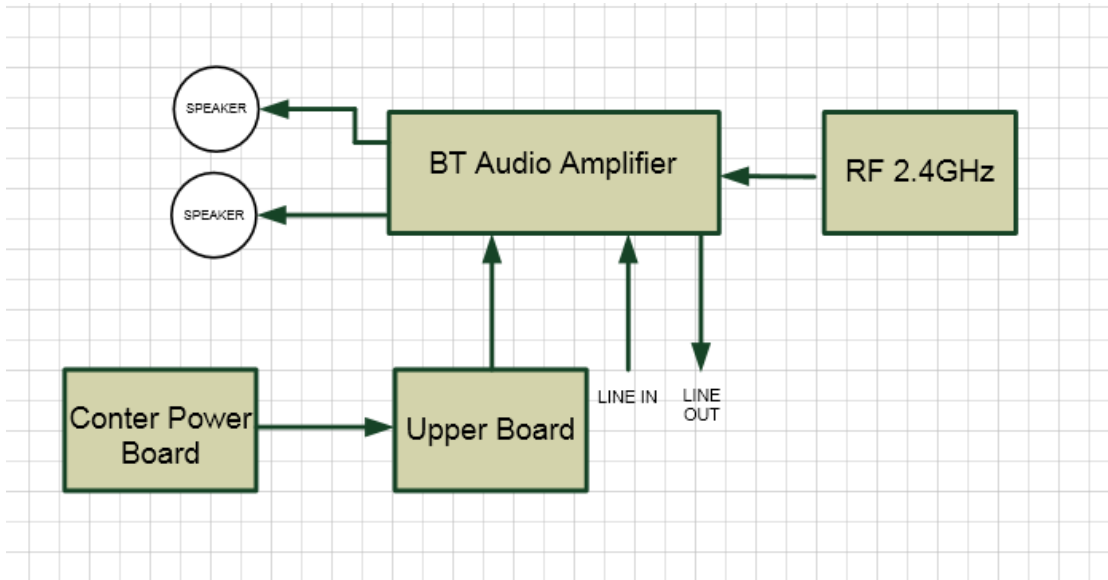
J4 HEADPHONE (White Color Connector)

Pin No.	DESCRIPTION	Pin No.	DESCRIPTION	Pin No.	DESCRIPTION	Pin No.	DESCRIPTION
1	Signal_1	2	Spkr	3	Spk1	4	Signal_2
5	Gnd	6	Gnd				

J5 HEADPHONE (Red Color Connector)

Pin No.	DESCRIPTION	Pin No.	DESCRIPTION	Pin No.	DESCRIPTION	Pin No.	DESCRIPTION
1	Signal_1	2	Ble_L	3	Ble_R	4	Signal_2
5	Gnd	6	Gnd				

2. Operational description



- 2.1 The Conter Power Board provides power to the Upper Board, which supplies power to the BT Audio Amplifier
- 2.2 LINE IN (MP3 music) BT Audio Amplifier SPEAKER output music ◦
- 2.3 LINE OUT into the headphones, music from the headphones output, SPEAKER does not output music ◦
- 2.4 BT search BT Audio Amplifier device, SPEAKER output music

Federal Communication Commission Interference Statement

This equipment has been tested and found to comply with the limits for a Class B digital device, pursuant to Part 15 of the FCC Rules. These limits are designed to provide reasonable protection against harmful interference in a residential installation.

This equipment generates, uses and can radiate radio frequency energy and, if not installed and used in accordance with the instructions, may cause harmful interference to radio communications. However, there is no guarantee that interference will not occur in a particular installation. If this equipment does cause harmful interference to radio or television reception, which can be determined by turning the equipment off and on, the user is encouraged to try to correct the interference by one of the following measures:

- . Reorient or relocate the receiving antenna.
- . Increase the separation between the equipment and receiver.
- . Connect the equipment into an outlet on a circuit different from that to which the receiver is connected.
- . Consult the dealer or an experienced radio/TV technician for help.

FCC Caution: To assure continued compliance, any changes or modifications not expressly approved by the party responsible for compliance could void the user's authority to operate this equipment. (Example - use only shielded interface cables when connecting to computer or peripheral devices).

FCC Radiation Exposure Statement

This equipment complies with FCC RF radiation exposure limits set forth for an uncontrolled environment. This equipment should be installed and operated with a minimum distance of 20 centimeters between the radiator and your body.

This transmitter must not be co-located or operating in conjunction with any other antenna or transmitter.

The antennas used for this transmitter must be installed to provide a separation distance of at least 20 cm from all persons and must not be co-located or operating in conjunction with any other antenna or transmitter.

This device complies with Part 15 of the FCC Rules. Operation is subject to the following two conditions:
(1) This device may not cause harmful interference, and (2) This device must accept any interference received, including interference that may cause undesired operation.