



SAYGUS



SQUARED

The User Manual

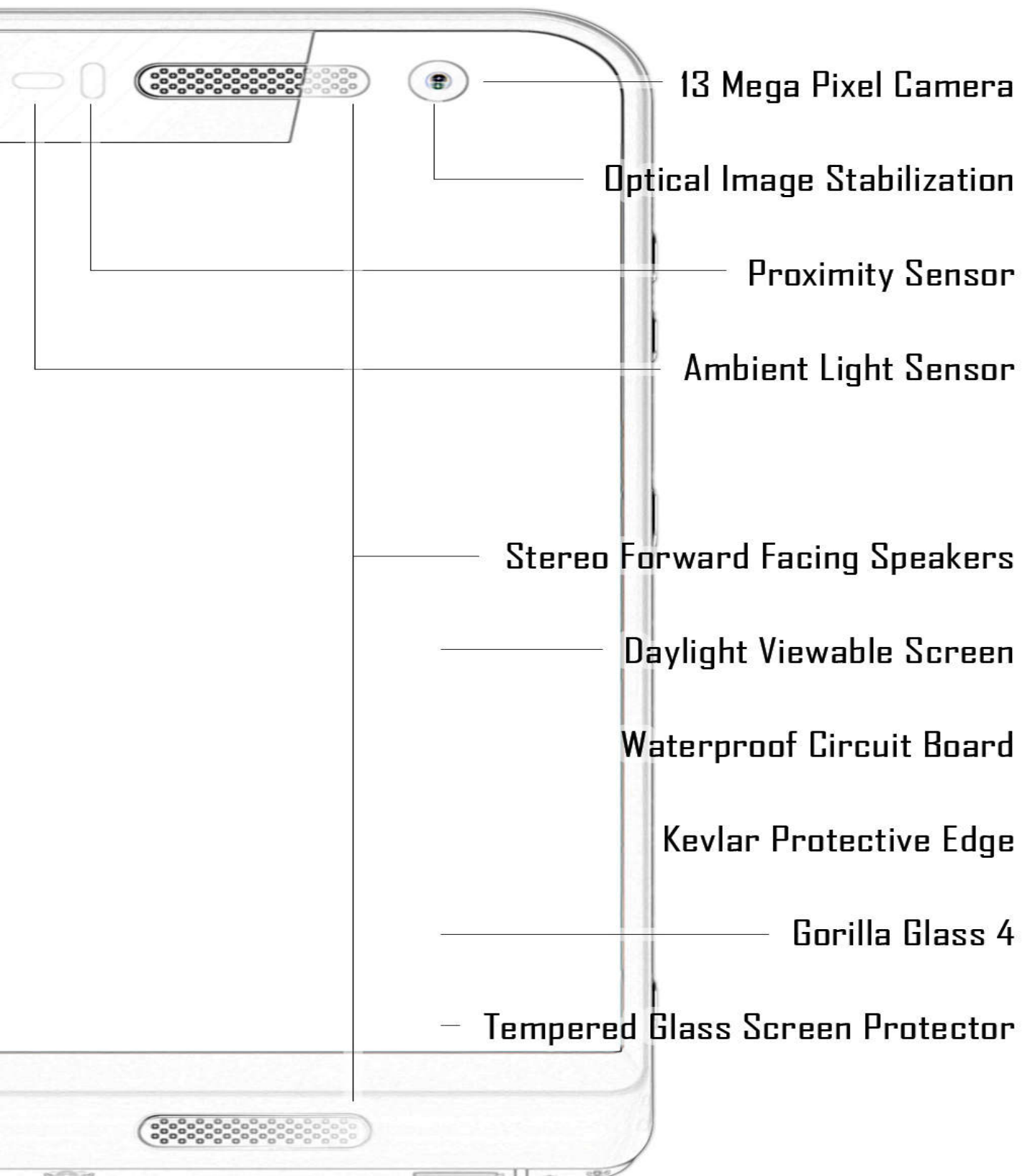
What's In the Box

The following items are included in the box:

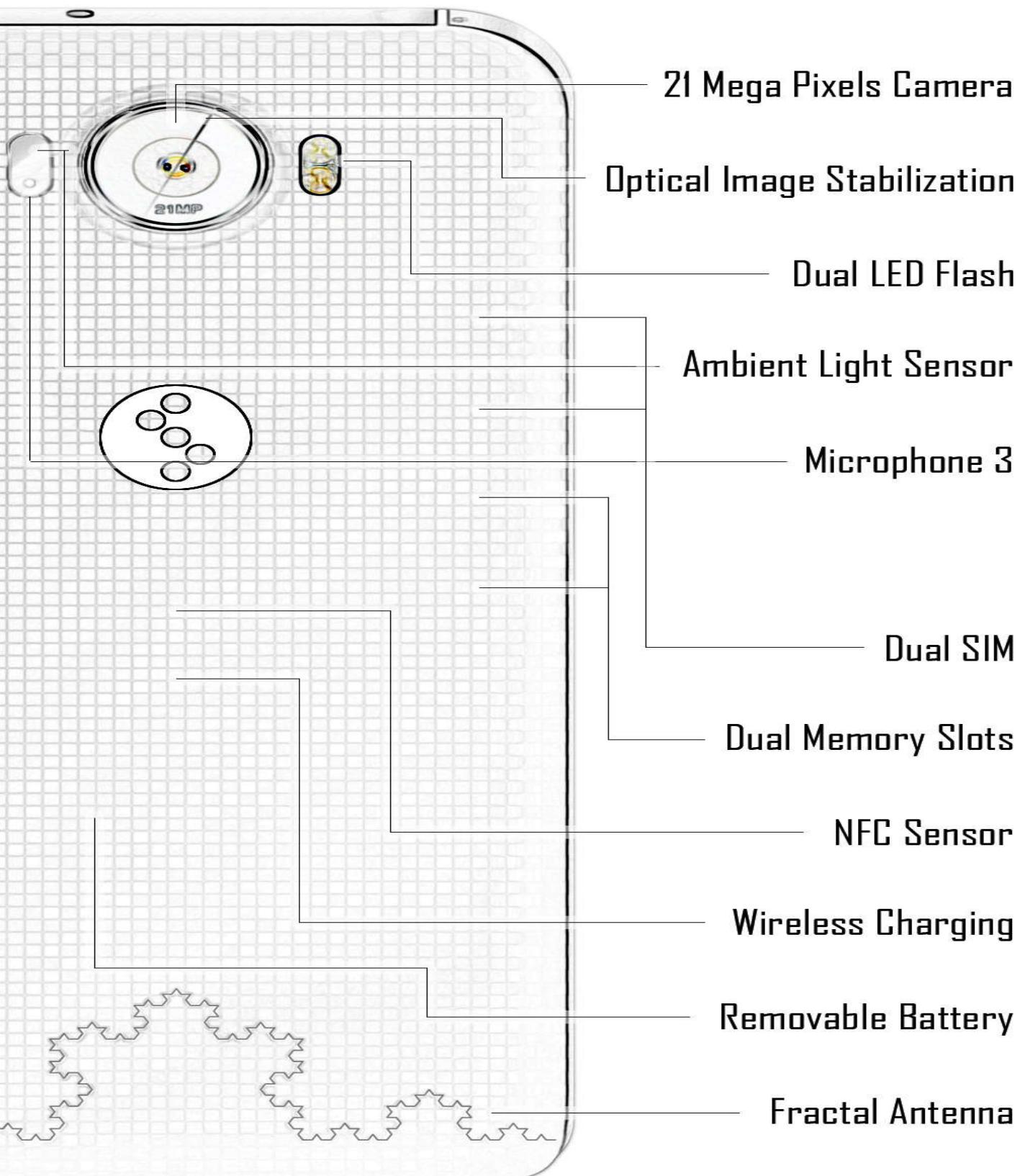
- The Saygus VSquared
- The Saygus VSquared Battery
- USB Cable
- USB Power Adapter
- Stereo Earbuds

If one or more of the items in this list is missing from the box when you first open it, please contact the shop where you bought your phone

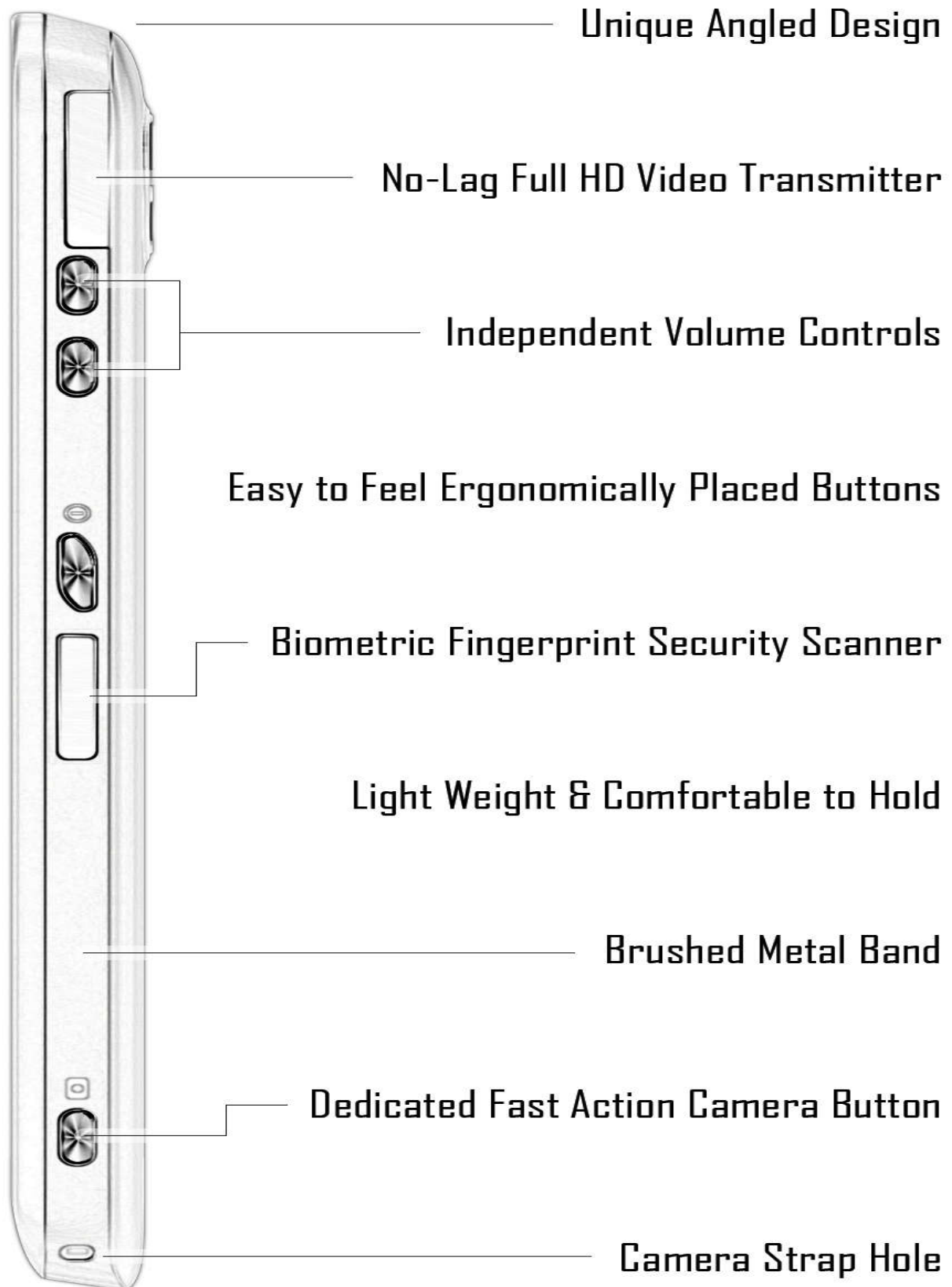
V Squared Features



V Squared Features



V Squared Features

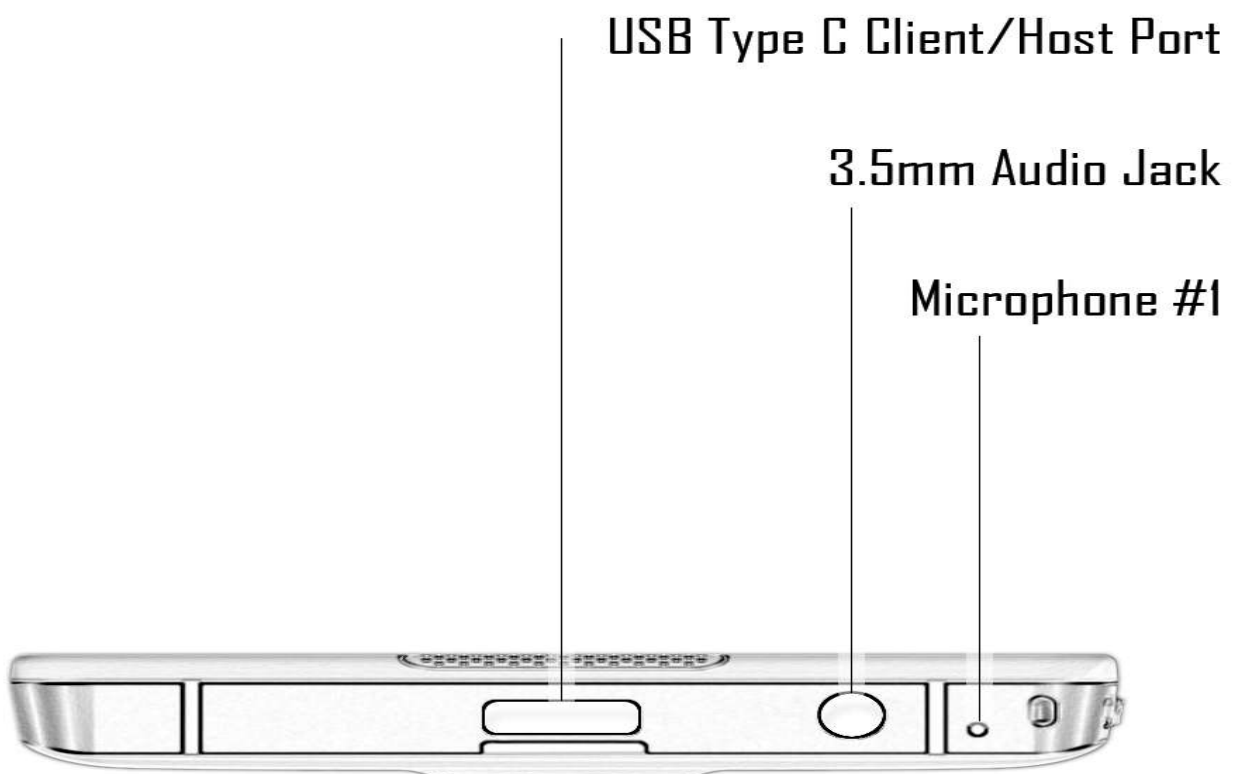


V Squared Features



Programmable Infra-Red Transceiver

Microphone #2



USB Type C Client/Host Port

3.5mm Audio Jack

Microphone #1

Phone Services Activation

Access the SIM card slots by removing the back cover.

To open the back cover pull it from the bottom first.

There are two micro SIM card slots, so you may insert one or two SIM cards.

Reboot the VSquared to initialize the newly inserted SIM card(s)

For phone service that does not use a SIM card, your service provider will require the IMEI code from this VSquared device.

Power On the Phone

To start the VSquared press and hold down the power button for 1 second. The Saygus logo will appear while the phone is starting up.

To shut down or restart the VSquared, press and hold the power button for 1 second. The available options will appear on screen for your selection? to cancel, tap the screen anywhere else away from the options

Fingerprint Unlock

The Saygus VSquared provides an easy, secure, and quick way to unlock your device via fingerprint identification.

1. Enable screen lock from Settings -> Security -> Screen lock, or go to Settings -> Fingerprint
2. Choose/Create a screen lock as required.
3. Enroll a fingerprint according to the onscreen guide.
4. Enable "Fingerprint to unlock".

Universal Remote

For convenience, you can use the infrared learning function to control most of your audio and video equipment.

1. From the Home screen or the All Apps menu, touch the "Remote" app icon.
2. Create a new remote and open the edit mode. (The green circles indicate remote buttons that have not been assigned any commands yet)
3. Select a button and an onscreen guide will guide you through the recording process.

Additional Information

"Changes or modifications not expressly approved by the party responsible for compliance could void the user's authority to operate the equipment.

This equipment has been tested and found to comply with the limits for a Class B digital device, pursuant to Part 15 of the FCC Rules. These limits are designed to provide reasonable protection against harmful interference in a residential installation. This equipment generates, uses and can radiate radio frequency energy and, if not installed and used in accordance with the instructions, may cause harmful interference to radio communications. However, there is no guarantee that interference will not occur in a particular installation.

If this equipment does cause harmful interference to radio or television

reception, which can be determined by turning the equipment off and on, the user is encouraged to try to correct the interference by one or more of the following measures:

- Reorient or relocate the receiving antenna.
- Increase the separation between the equipment and receiver.
- Connect the equipment into an outlet on a circuit different from that to which the receiver is connected.
- Consult the dealer or an experienced radio/TV technician for help.

This equipment complies with FCC radiation exposure limits set forth for an uncontrolled environment. End user must follow the specific operating instructions for satisfying RF exposure compliance. This transmitter must not be co-located or operating in conjunction with any other antenna or transmitter.

The portable device is designed to meet the requirements for exposure to radio waves established by the Federal Communications Commission (USA).

These requirements set a SAR limit of 1.6 W/kg averaged over one gram of tissue.

The highest SAR value reported under this standard during product certification for use when properly worn on the body."

This device complies with Part 15 of the FCC Rules. Operation is subject to the following two conditions:

(1) this device may not cause harmful interference, and (2) this device must accept any interference received, including interference that may cause undesired operation.

The highest SAR value for this (SG02) mobile phone when tested at the ear is 0.52 W/kg, when properly worn on the body is 1.45 W/kg. SAR is measured against head and with the device at a separation of 10mm to the body, while transmitting at the highest certified output power level in all frequency bands of the mobile device.

User Manual Guide

What's Included

Features

Phone Service Activation

Power On the Phone

Fingerprint Unlock

Universal Remote