

SPECIFICATION FOR APPROVAL

CUSTOMER: **D706**

CUST P/N:

FINE P/N:

DESC: **FYD70612024050201L**

DATE: **2024/05/02**

Version: **A.0**

PREPARED BY	CHECKED BY	APPROVED BY	CUSTOMER APPROVE
Yin Yi	Jiang Huixuan	Cai Jiyu	

Dongguan FANYA Electronics Co., LTD

address: 194 Liuwu Keji East Road, Shijie Town, Dongguan City

TEL: 0769-22490287 / 22452492

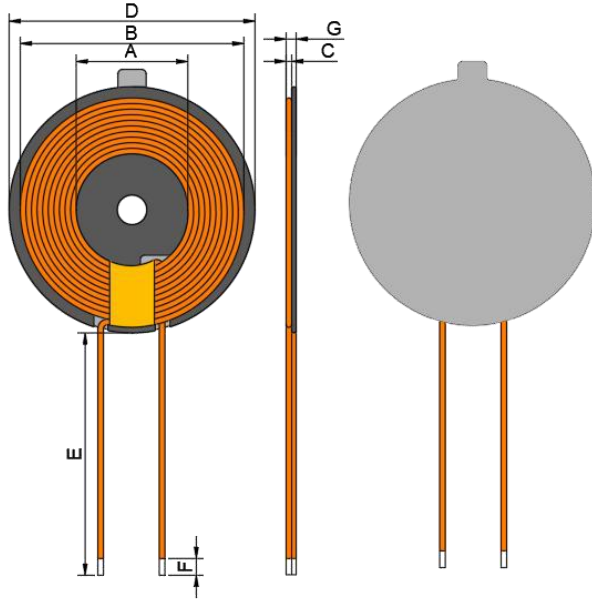
FAX: 0769-22499451

E-mail: fineelec@163.com

SPECIFICATION

Product model	FYD70612024050201L	Rev: A.0	CUST:	D7 06
DESC			Fine P/N:	
			CUST P/N:	

一、 DIMENSION:(mm)

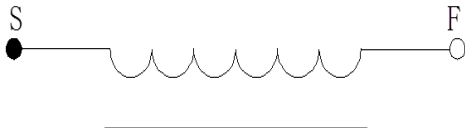


A	20.0±0.5
B	38.5±1
C	0.60±0.2
D	43.5±0.5
E	12±2
F	2-4
G	1.6-1.8 (Excluding release paper)

Note:

- 1.Coils are crossed, wires are drawn into slots and wires are drawn out.
2. Apply 8mm wide high-temperature adhesive at the outlet position.
- 3.Coil anti sticking hard magnetic sheet, magnetic sheet size $\phi 43.5*5*1.0\text{mm}$, Opening and double opening Slot;
4. On the back of the magnetic disc, there is a sticker with a diameter of $42 * 6 * 0.08 \text{ mm}$ Ordinary double-sided adhesive tape with hand tearing position; mm

二、 SCHEMATIC DIAGRAM:



三、 Winding Specification

NO.	TERMINAL	WI RE	Tur	Winding Direction
-----	----------	----------	-----	----------------------

三、 Winding Specification:

NO	TERMINAL	WIRE	Turns	Winding Direction
1	S F	Hot air line: 0.08 * 24 * 2P	10Ts	CCW

四、 ELECTRICAL CHARACTERISTICS:

TEMPERATURE: $25 \pm 5^\circ \text{ C}$, RELATIVE HUMIDITY: $65 \pm 20\%$

PREPARED BY/DATE	CHECKED BY/DATE
Yin Yi 2024/05/02	Cai Jiyu 2024/05/02