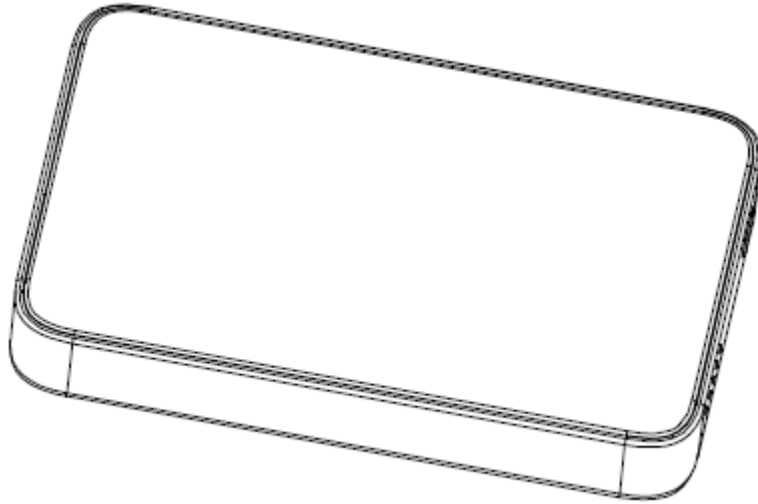


Operation Instruction for Portable Power Source

Please read this operation instruction before using the product.

Product



Product Features

Safety: With multiple protection designs, several abnormal conditions such as overcharge, overdischarge, high temperature and short circuit can be easily handled no matter in charging, discharging or standby state to provide reliable guarantee for your mobile phone and digital device.

Efficiency: With quick charging and discharging efficiency, supporting quick charging and discharging, Multi-protocol intelligent output.

Compatibility: embedded with intelligent USB-C charge controller, compatible with main stream mobile phone and digital device, supporting main stream quick charging and discharging device.

Quality: Choose high-quality lithium polymer batteries and customize charge and discharge management chips.

Product Introduction

Thank you for your selection. This product is a type of high-capacity portable power source with high quality Li-polymer electric core and customized charging and discharging electric chip, which performs well in safety, efficiency and compatibility, etc.

Basic parameters

Product model: IP108

Battery type: Li-polymer electric core

USB-C Input: 5V $\overline{=}$ 3A, 9V $\overline{=}$ 2A

USB-C Output: 5V $\overline{=}$ 2.4A, 9V $\overline{=}$ 2.22A, 12V $\overline{=}$ 1.5A

Wireless Output: 5W/ 7.5W/ 10W/ 15W

Wireless charging output: 15W(Max)

Dimension:~27.5×78.6×160.2mm

Usage temperature: 0°C~45°C

Power Indicator Switch

After the product stops working, the LED light will automatically turn off in about 32 seconds. To view the current remaining power of the product, you can tap the switch to re-light the LED light to view the current remaining power of the product .gently and continuously press twice: stop charging .

Charging

Charge the product with a brand power adapter connection. LED light shows current battery charge while charging

capacity Indicator light	0~25%	25~50%	50~75%	75~100%	finished charging
LED1	flicker	bright	bright	bright	bright
LED2		flicker	bright	bright	bright
LED3			flicker	bright	bright
LED4				bright	bright

Solar charging

Please put the solar charging board on the front,Let the solar charging board fully receive the amount of solar energy and charge it.the corresponding relation between the displayed status and electric quantity is as follows:

capacity Indicator light	0~25%	25~50%	50~75%	75~100%	finished charging
LED1	flicker	bright	bright	bright	bright
LED2		flicker	bright	bright	bright
LED3			flicker	bright	bright

LED4				flicker	bright
------	--	--	--	---------	--------

Output

This product uses a smart identification charging design. When the digital product is connected with a USB power cable, the digital product can be intelligently and automatically recognized, and the charging function can be activated. LED light shows current battery charge during charging

Wireless charging function: align the position of the receiver of the digital product supporting wireless charging with the position of the wireless charging indicator of the mobile power supply, and start the charging function (LED1 red light is on when the wireless charging is abnormal or there is a foreign object). During the charging process, the LED indicator shows the current battery level.

Indicator light	capacity				
	low battery	0~25%	25~50%	50~75%	75~100%
LED1	flicker	bright	bright	bright	bright
LED2			bright	bright	bright
LED3				bright	bright
LED4					bright

Notice

- Please fully charge this product before first usage.
- During the usage of this product, please lighten the screen of digital product and confirm that the charging connection label is correctly displayed to ensure that the product is in normal working condition.
- During the charging for this product or charging for digital product with this product, please select adaptive connecting line by yourself.
- If the LED light of this product goes out during the charging process of the digital product, it means that the battery of the product is low, please charge it immediately.
- During the wireless charging of the digital product, the red light of LED1 is on to indicate abnormal charging (foreign objects). Check whether the position of the receiver of the digital product corresponds to the position indicated by the mobile power wireless charging and whether there are other metal objects.

- During the connection between the digital product and this product, the digital product has priority to use the electric quantity of this product.
- When the digital product is fully charged, please take out the connecting line in time to avoid loss.
- If the product enters into protection status due to output short circuit or other reasons (LED has no display after pressing buttons), it can be recovered by charging activation via external charger.

Warning

Since this product contains Li-ion electric core, it's forbidden to dismantle the product shell arbitrarily to avoid possible damage to electric core or other dangers.

It's forbidden to arbitrarily dismantle, squeeze, puncture this product or put it in short circuit, water, fire or exposed to an environment with a temperature higher than 60°C (140°F).

FCC Statement

This device complies with Part 18 of the FCC Rules. Operation is subject to the following two conditions:

- (1) This device may not cause harmful interference.
- (2) This device must accept any interference received, including interference that may cause undesired operation.

2. Changes or modifications not expressly approved by the party responsible for compliance could void the user's authority to operate the equipment.

Note: This equipment has been tested and found to comply with the limits for a class B digital device, pursuant to Part 18 of the FCC Rules. These limits are designed to provide reasonable protection against harmful interference in a residential installation.

This equipment generates uses and can radiate radio frequency energy and, if not installed and used in accordance with the instructions, may cause harmful interference to radio communications. However, there is no guarantee that interference will not occur in a particular installation. If this equipment does cause harmful interference to radio or television reception, which can be determined by turning the equipment off and on, the user is encouraged to try to correct the interference by one or more of the following measures:

- Reorient or relocate the receiving antenna.
- Increase the separation between the equipment and receiver.
- Connect the equipment into an outlet on a circuit different from that to which the receiver is connected.
- Consult the dealer or an experienced radio/TV technician for help.

The device has been evaluated to meet general RF exposure requirement. The device can be used in portable exposure condition without restriction.

IMPORTANT NOTE:

FCC RF Radiation Exposure Statement:

This equipment complies with FCC RF radiation exposure limits set forth for an uncontrolled environment. The device has been evaluated to meet general RF exposure requirement. The device can be used in portable exposure condition without restriction. This transmitter must not be co-located or operating in conjunction with any other antenna or transmitter.