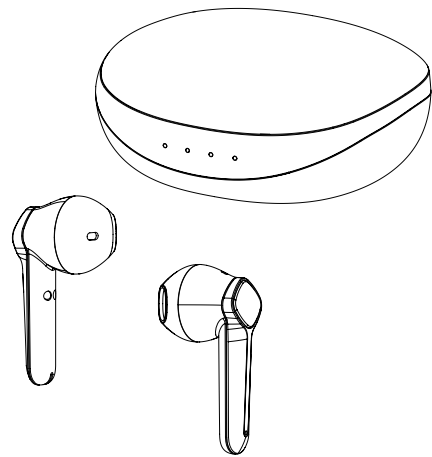


正面

USER'S MANUAL

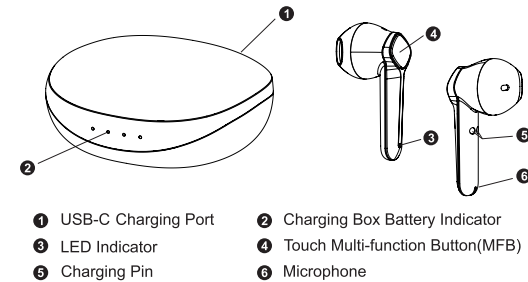


True Wireless Earbuds

Thank you for choosing our product, hope the fashionable appearance and high quality stereo can enrich your life.

Note: Please fully charge it with the charging case before the first use when you receive the product.

Identifying Key Parts

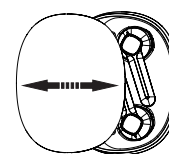


- 1 USB-C Charging Port
- 2 Charging Box Battery Indicator
- 3 LED Indicator
- 4 Touch Multi-function Button(MFB)
- 5 Charging Pin
- 6 Microphone

Charging

When charging, the light on the side of the charging case will flicker in a circle, and the light will stay on constantly after being fully charged.

Getting Starts



① Slide charging case out and take out both of earbuds, they will turn into pairing mode automatically

(Note: When take out both of earbuds, you will hear of POWER ON, TWS CONNECTED, it means these two earbuds connect to each other and waiting for pairing of smartphone.)

Getting Starts

② Active your bluetooth on your smartphone, search for "BE62" and click for pairing

※ The earbuds turn off automatically if:
① You put earbuds back to the charging case
② When earbuds leave the charging case, but haven't connect to any devices within 5 minutes

※ For above situation, please press and hold the MFB for 6 second to Power ON

Functions

You can operate MFB to get certain functions as below

① Play / Pause /Resume

When standby, click MFB(R or L) to get music play,click again to pause, resume it with press.

② Previous Track /Next Track

When playing music, press and hold MFB(L) for 3 seconds to next track, press and hold MFB(R) for 3 seconds to previous track.

③ Volume Increase Or Decrease

When playing music, double-click the MFB(R) to increase the volume; double-click the MFB(L) to decrease the volume.

④ Start voice assistant (Siri)

In the Bluetooth connection state, quickly three click the MFB(L or R) to activate the voice assistant (Siri).

Functions

① ANSWER/END A CALL

When there's an incoming call,click MFB once to answer ,you can end it by click MFB again.

② Reject An Incoming Call

When there's an incoming call press and hold the MFB for 3 seconds to reject.

Safety Rules

- Avoid dripping and dropping
- Use original or certified cables
- Never disassemble or modify your earbuds for any reasons to avoid any damages and dangers
- Keep the earbuds dry and do not submerge it in water
- Keep out of reach of children, small parts included may be a choking hazard,and avoid using the LED indicator close to the eyes of children or animals
- Do not use this headphone during a thunderstorm to avoid irregular function and increased risk of the electric shock.
- Clean with a dry, soft lint-free cloth, do not use harsh chemicals or strong detergents to clean
- The product shall not be exposed to excessive hot or wet

Hearing Safety

- To avoid hearing damage, do not listen for long time at high volume
- Do not turn the volume so high that you're unable to hear your surroundings
- Do not use earbuds while driving
- You should use with caution or temporarily discontinue using in potentially hazardous situations

Basic Parameters

Bluetooth Name	BE62
Bluetooth Version	V5.0
Frequency Response	2.400GHz~2.4835GHz
Bluetooth Range	≤10m/33ft
Battery	38mAh for each earbuds
Charging Case	400mAh
Input	DC5V/350mA
Play Time	3-4hours(per charge); 20hours(plus charging case power)
Charging Time	1hours(earbuds) 2-3hours(charging case)
Bluetooth Profile	HSP/HFP/A2DP/AVRCP
Weight	3.7g(earbuds)/42g(charging case)

Customer Servc

12-Month Limited Warranty

Lifetime Technical Support

Packing list

Charging case *1pc
Earbuds *2pcs
Charging cable *1pc
User manual *1pc

FAQs/Trouble shooting

Q: The earbuds didn't responsive when I get them from the charging case, it can't turn on automatically

A: Please check the power of charging case, if there is no power the earbuds can't turn on automatically or you can manually turn it on (long touch MFB for 2 seconds)

Q: I have established connection with my smartphones, but I am not hearing any sound?

A: Please make sure that you have turned up the volume of both devices Smartphone requires you to set up the Bluetooth earbuds as an audio output devices before transimition of sound. Please check the instruction of your smartphone for details. If you are using a music player or other Bluetooth devices, please make sure it supports A2DP stereo music profile

Q: Why the connection is not stable and cuts out intermittently?

A: Please make sure there are no obstacles between the earbuds and your Bluetooth device; please make sure there is no radio or WIFI interference nearby.

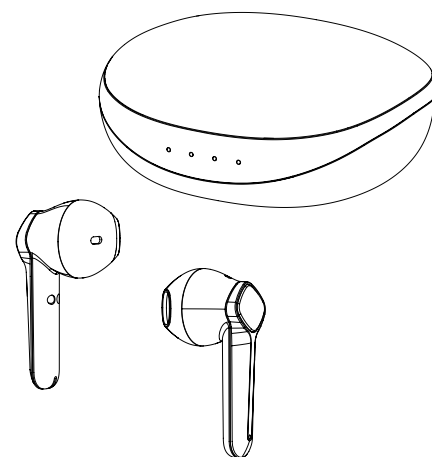
Q: The sound is not very clear/the caller cannot hear my voice clearly

A: Please adjust the volume on your phone and earbuds. Make sure there is no source of interference nearby. Stay close to your smartphone check if there's any improvement.



反面

使用说明书

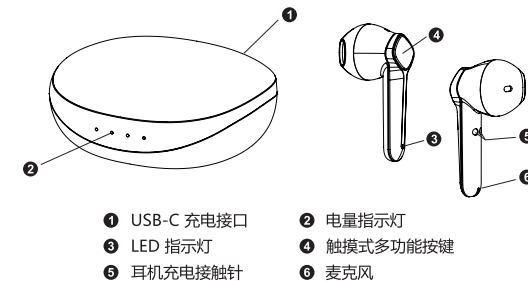


双耳无线蓝牙耳机

感谢您购买本产品, 本产品拥有时尚的外观与高品质的音质, 希望能丰富您的生活. 使用本产品前请仔细阅读并严格遵循使用说明和注意事项并妥善保管,以备查阅.

温馨提示: 当您收到本产品后, 请在首次使用前先充电.

产品图解

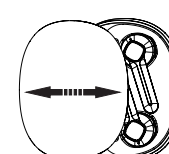


- 1 USB-C 充电接口
- 2 电量指示灯
- 3 LED 指示灯
- 4 触摸式多功能按键
- 5 耳机充电接触针
- 6 麦克风

充电模式

请于首次使用前将耳机连向充电盒充满电.

启动蓝牙



① 滑开充电盒, 取出两只耳机, 产品将自动开机并进入蓝牙配对模式; 此过程会听到 "POWER ON,TWS CONNECTED",表明双耳已正常连接, 等待手机配对.

② 打开您的蓝牙设备, 搜索蓝牙 BE62 "点击设备名并完成配对.

启动蓝牙

※ 以下情况之一耳机将自动开机

- ① 耳机放回充电盒
- ② 从充电盒中取出后5分钟内没有设备连接.
- ③ 耳机电量低时 (请及时充电)

以上情况时请手动长按多功能按键约6秒可开机

功能使用

可使用多功能按键获得以下某种功能:

① 播放/暂停/恢复

待机状态下, 单击多功能按键 (L或R)可开启音乐播放, 再次单击暂停播放, 再次单击恢复播放.

② 上一曲/下一曲

播放音乐时, 长按右耳 (R)多功能按键约3秒可切换至上一曲; 长按左耳 (L)多功能按键约3秒可切换至下一曲.

③ 音量加/减

播放音乐时, 双击右耳 (R) 多功能按键音量增加; 双击左耳 (L) 多功能按键音量减小.

④ 启动语音助手 (Siri)

蓝牙连接状态下, 快速三击多功能按键 (L或R), 启动语音助手 (Siri).

功能使用

① 接听来电/结束通话

当有来电时,单击(L或R)多功能按键可接听来电,再次单击可挂断来电

② 拒接来电

当有来电时,长按任一耳机的多功能按键约3秒可拒接来电

安全事项

- 请勿挤压或者碰撞, 避免跌落.
- 请使用原装或认证的充电线.
- 请勿自行拆卸/修改耳机, 以防损坏或危险.
- 请保持耳机干燥, 切勿丢入水中.
- 远离儿童, 以避免有可能伤害儿童的意外情况.
- 请勿在雷电天气使用耳机以防意外情况.
- 请使用干软布擦拭, 避免使用刺激性化学物货强力洗涤剂清洗.
- 请勿在严重高温/潮湿/腐蚀性环境下使用本产品.

听力保护

- 请勿长时间在高音量状态下使用, 以防损害听力.
- 请勿将声音调整过大以防听不到周围声音.
- 请勿开车时使用.

产品参数

蓝牙名	BE62
蓝牙版本	V5.0
频率	2.400GHz~2.4835GHz
蓝牙传输距离	≤10m/33ft
耳机电池容量	38mAh*2
充电底座	400mAh
输入	DC5V/350mA
播放时长	约3-4小时; 充电盒每次约20小时
充电时长	耳机约1小时 充电盒约2-3小时
支持	HSP/HFP/A2DP/AVRCP
重量	耳机约3.7g,充电盒约42g

消费者支持

12个月有限保修

终身技术支持

包装明细

充电盒 x1个
耳机 x2个
充电线 x1条
说明书 x1本

FAQs/疑难解答

问: 耳机从充电盒取出后未自动开机

答: 请首先检查充电盒电量, 若充电盒没电, 耳机取出时将无法自动开机. 此时可手动开机 (手动触摸多功能按键约2秒)

问: 连接着蓝牙设备聆听音乐并浏览网页时, 网页音频将同时播放.

答: 通常状态都会如此, 与手机软件有关, 可关闭网页音频即可, 无需担心.

问: 已经和手机连接但是没有任何声音.

答: 首先请确保耳机和手机声音均已开启且未设置在最低音量. 智能手机有时要求先设置蓝牙耳机为音频输出设备, 此操作可查询智能手机使用说明. 若使用音乐播放器或其他蓝牙设备, 请确保设备支持A2DP音乐文件.

问: 打电话时声音不清晰或对方无法听到我的声音.

答: 调大耳机及手机音量, 靠近手机并确保周围无强烈干扰信号.

问: 为什么蓝牙连接不稳定或间歇性断开.

答: 请确保耳机与设备间没有障碍物, 请确保周围无强烈WIFI或磁场干扰



1

2

3

4

5

6

FCC Statement

This device complies with Part 15 of the FCC Rules. Operation is subject to the following two conditions:

(1) This device may not cause harmful interference.

(2) This device must accept any interference received, including interference that may cause undesired operation.

2. Changes or modifications not expressly approved by the party responsible for compliance could void the user's authority to operate the equipment.

Note: This equipment has been tested and found to comply with the limits for a class B digital device, pursuant to Part 15 of the FCC Rules. These limits are designed to provide reasonable protection against harmful interference in a residential installation.

This equipment generates uses and can radiate radio frequency energy and, if not installed and used in accordance with the instructions, may cause harmful interference to radio communications. However, there is no guarantee that interference will not occur in a particular installation. If this equipment does cause harmful interference to radio or television reception, which can be determined by turning the equipment off and on, the user is encouraged to try to correct the interference by one or more of the following measures:

- Reorient or relocate the receiving antenna.
- Increase the separation between the equipment and receiver.
- Connect the equipment into an outlet on a circuit different from that to which the receiver is connected.
- Consult the dealer or an experienced radio/TV technician for help.

The device has been evaluated to meet general RF exposure requirement. The device can be used in portable exposure condition without restriction.