

## SMART CUBE USER MANUAL

### What is Smart Cube?

Use your smartphone or tablet to lock, unlock, track and monitor your valuables at all times. Install the cube in a cabinet or drawer and effortlessly gain access to your protected materials through your smart device. It's an IoT connected device that's trackable, encrypted and secure.



### Smart Cube Features:

- Uses an accelerometer to know when your drawer or cabinet is being tampered with. An alarm sounds and you are notified via SmartArmor App.
- Be able to view your lock and unlock history through the app.
- Takes 100lb-f to break open.
- Small and easy to install in cabinets and drawers.

### Software Features:

- Activity log to know when the cube locks, unlocks and is tampered with
- Real time battery status
- In range connectivity notification
- Add multiple cubes under one account.
- Encryption through backend and firmware to ensure secure access

### What's in the box:

- Qty 1 - Smart Cube with Base and Pin
- Qty 1 - CR2 battery
- Qty 1 - Extra Base

- Qty 1 – Drawer Mounting Bracket
- Qty 10 - #4 x 5/8 inch wood screws
- Qty 1 – Smart Armor Medallion
- Qty 1 – Alcohol Wipe
- Qty 1 – 1/16<sup>th</sup> inch Hex Key (for Battery Door screw)
- Quick Start Installation Guide with Mounting Template

**Installation Instructions:**

- For basic installation instructions refer to the Quick Start Installation Guide included in the packaging.
- For additional installation instructions go to [www.SmartArmorCube.com/install](http://www.SmartArmorCube.com/install)

## Technical Specifications

<b>Size</b>	Cube dimensions: 3.0in x 5in x 1.8in
<b>SmartCube Weight with battery</b>	71g
<b>Battery</b>	Lasts 1 year with single 3V lithium-ion CR2 battery
<b>Operating Voltage</b>	3V
<b>Maximum Current Consumption</b>	100mA
<b>Phone System Requirements</b>	Bluetooth Version 4.2
<b>Operating Systems</b>	Apple iOS 8 plus Android 8.0 Oreo
<b>Language Support</b>	English
<b>Environmental Requirements</b>	Operating ambient temperature: 20-130°F Relative humidity: 80%
<b>Force Cube Can Withstand Before Breaking with 3M Tape</b>	100lb-f *Note that the cube can deal with a larger force when the base is screwed down.*
<b>Surfaces 3M VHB tape can be mounted on</b>	Painted metal Plastics Glass



Acrylic  
 Polycarbonate  
 Wood

**In a Single SmartCube Box**

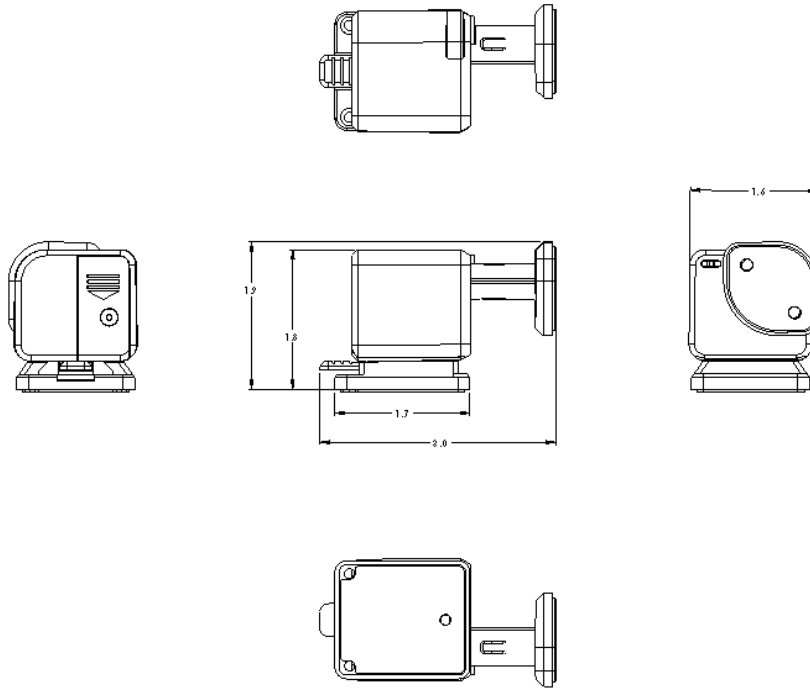
- 1 Smart Cube
- 10 #4 Wood Screws
- 1 Extra cube base
- 1 Mounting bracket
- 1 Mounting template
- 1 CR2 battery
- 1 Instruction booklet
- 1 Alcohol pad
- 1 SmartArmor emblem
- 1 Hex key



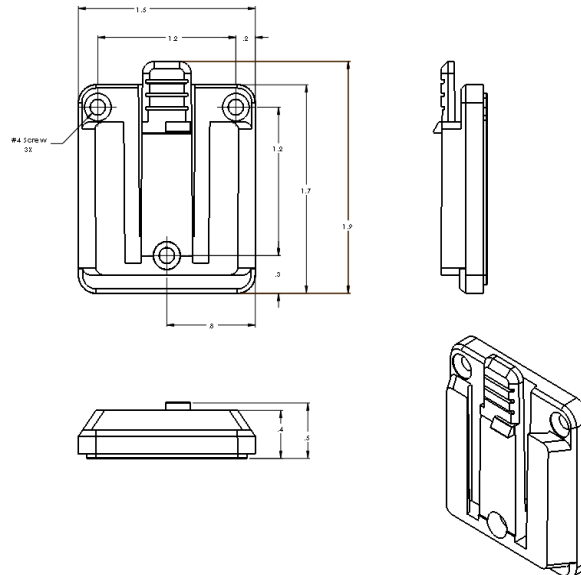
<b>Lifetime of Product</b>	20,000 Cycles *Note: 1 cycle is equal to 1 unlock and lock.*
<b>Manufacturer Warranty</b>	365 days
<b>Manufacturer Part Number</b>	0118151-01
<b>Single SmartCube UPC</b>	867760000400
<b>Triple SmartCube UPC</b>	867760000417
<b>Country of Origin</b>	United States of America

**Mechanical Specifications:**

\*Units are in inches

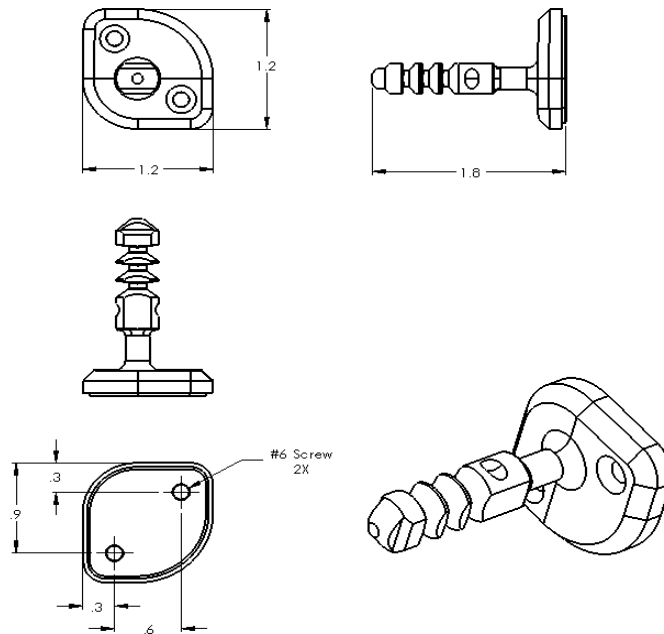


Overall Size  
 3.0in x 5in x 1.8in



Mounting the Base

The base can be installed by using the given VHB tape or a combination of the VHB tape and three #4 wood screws.



#### Mounting the Pin

The pin can be mounted using the given VHB tape or a combination of the VHB tape and two #4 wood screws.

### Have any questions or concerns? We're here to help!

E-mail us at [info@smartarmortech.com](mailto:info@smartarmortech.com)

Smart Cube  
Model: 0118090

FCC ID: 2ANAB-090  
IC: 23092-090



This device complies with Part 15 of the FCC Rules and with Industry Canada licence-exempt RSS standard(s). Operation is subject to the following two conditions: (1) this device may not cause harmful interference, and (2) this device must accept any interference received, including interference that may cause undesired operation.

Le présent appareil est conforme aux CNR d'Industrie Canada applicables aux appareils radio exempts de licence. L'exploitation est autorisée aux deux conditions suivantes: (1) l'appareil ne doit pas produire de brouillage, et (2) l'utilisateur de l'appareil doit accepter tout brouillage radioélectrique subi, même si le brouillage est susceptible d'en compromettre le fonctionnement.

§15.19 **Label Interference Note** for FCC Part 15 / IC RSS-GEN sec. 8.4 license exempt devices

*This device complies with Part 15 of the FCC Rules and Industry Canada license-exempt RSSs.. Operation is subject to the following two conditions: a.) this device may not cause harmful interference, and b.) this device must accept any interference received, including interference that may cause undesired operation.*

§15.21 **Modifications Note**

*Changes or modifications not expressly approved by the party responsible for compliance could void the user's authority to operate the equipment.*

§15.105 **Class B Digital Device** (unintentional transmitter) - **Interference Note**

*This equipment has been tested and found to comply with the limits for a Class B digital device, pursuant to part 15 of the FCC Rules. These limits are designed to provide reasonable protection against harmful interference in a residential installation. This equipment generates, uses and can radiate radio frequency energy and, if not installed and used in accordance with the instructions, may cause harmful interference to radio communications. However, there is no guarantee that interference will not occur in a particular installation. If this equipment does cause harmful interference to radio or television reception, which can be determined by turning the equipment off and on, the user is encouraged to try to correct the interference by one or more of the following measures:*

*Reorient or relocate the receiving antenna. Increase the separation between the equipment and receiver.*

*Connect the equipment into an outlet on a circuit different from that to which the receiver is connected.*

*Consult the dealer or an experienced radio/TV technician for help.*

## **RF Exposure Statement**

*To comply with the FCC RF exposure requirements for mobile transmitting devices, this device must be installed to provide a separation distance of at least 20cm (8inches) from all persons.*

## **Antenna Statement**

*Under Industry Canada regulations, this radio transmitter may only operate using an antenna of a type and maximum (or lesser) gain approved for the transmitter by Industry Canada. To reduce potential radio interference to other users, the antenna type and its gain should be so chosen that the equivalent isotropically radiated power (e.i.r.p.) is not more than that necessary for successful communication.*

*Conformément à la réglementation d'Industrie Canada, le présent émetteur radio peut fonctionner avec une antenne d'un type et d'un gain maximal (ou inférieur) approuvé pour l'émetteur par Industrie Canada. Dans le but de réduire les risques de brouillage radioélectrique à l'intention des autres utilisateurs, il faut choisir le type d'antenne et son gain de sorte que la puissance isotrope rayonnée équivalente (p.i.r.e.) ne dépasse pas l'intensité nécessaire à l'établissement d'une communication satisfaisante.*

**Licence exempt**

*This device complies with Industry Canada licence-exempt RSS standard(s). Operation is subject to the following two conditions:*

- (1) this device may not cause interference, and*
- (2) this device must accept any interference, including interference that may cause undesired operation of the device.*

*Le présent appareil est conforme aux CNR d'Industrie Canada applicables aux appareils radio exempts de licence. L'exploitation est autorisée aux deux conditions suivantes :*

- (1) l'appareil ne doit pas produire de brouillage, et*
- (2) l'utilisateur de l'appareil doit accepter tout brouillage radioélectrique subi, même si le brouillage est susceptible d'en compromettre le fonctionnement.*