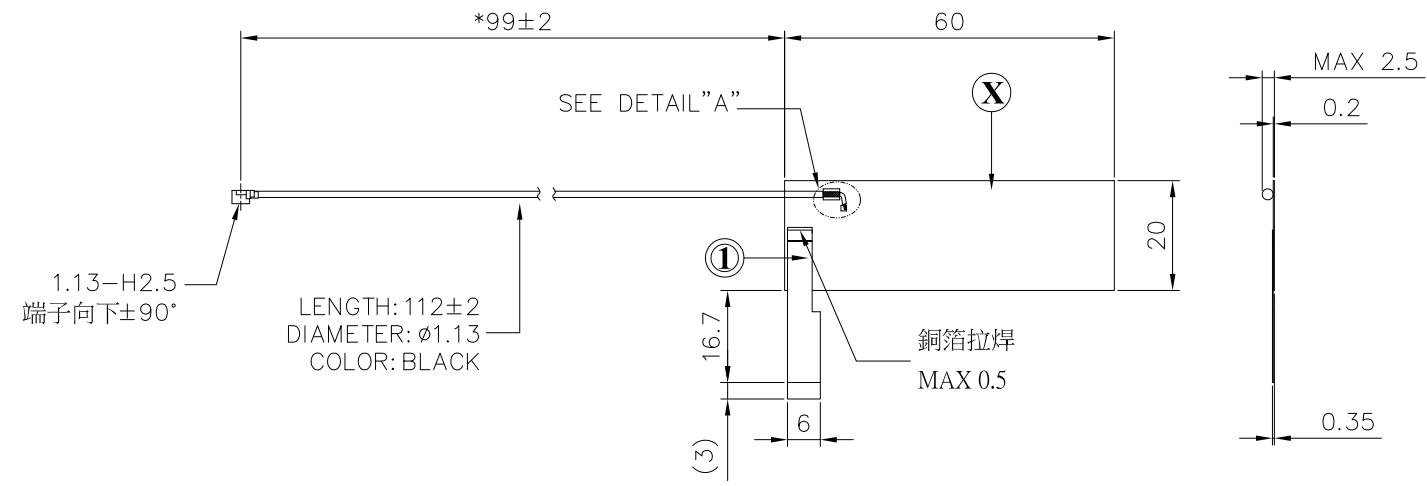
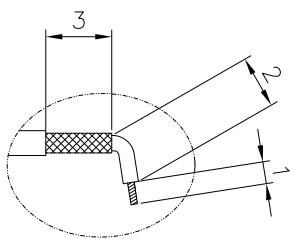


PART NUMBER BLOCK		CUSTOMER P/N BLOCK		CONFIRM ANTENNA SPEC.	
PART NUMBER	REV	PART NUMBER	REV	APPROVED	DATE
57XCAZ15.003	A	ANT-0006-00-A0	X01	YUN CHI	06/18/20

REVISIONS				
ZONE	REV	DESCRIPTION	DATE	APPROVED
	A	NEW RELEASE	06/18/20	VINCENT CC LIN



NOTES:
 1.PCB ANTENNA SHOULD BE USED HEREUNDER.
 ④ 48XXXXXX
 XX
 2." * "ARE THE CRITICAL DIMENSIONS.



DETAIL A
SCALE: 4/1

1	3TXXXXXXXXX	PLATE, COPPER FOIL, LTE_M, XCAZ-KL2	1
ITEM	PART NO.	DESCRIPTION	QTY
ONLY ME PARTS REFERENCE			

UNLESS OTHERWISE SPECIFIED ALL DIMENSIONS ARE IN mm AND TOLERANCES ARE:						啟碁科技股份有限公司 20 Park Avenue II, Hsinchu Science Park, Hsinchu 308, Taiwan, R.O.C. Tel: 886-3-6667799 Fax: 886-3-5788726	
		INTEGER DIMENSIONS ±0.2 1 PLACE DECIMAL ±0.1 2 PLACE DECIMALS ±0.05		ANGULAR DIMENSIONS ±1° HOLES UNDER Ø5.00 ±0.05			
MATERIAL: NA						DWG TITLE	
FINISH: NA						LTM MAIN, DIPOLE, 1.13MM BLACK, XCAZ-KL2	
81XCAZ15.G03	XCAZ-KL2	THIRD ANGLE PROJECTION	DRAWN	STACY CHANG	06/18/20	SIZE	DWG NO.
NEXT ASSY	USED ON		ENGR	YUN CHI	06/18/20	A3	57XCAZ15.003
APPLICATION			APVD	VINCENT CC LIN	06/18/20	SCALE	1/1
						REV	A
						SHEET	1 OF 1

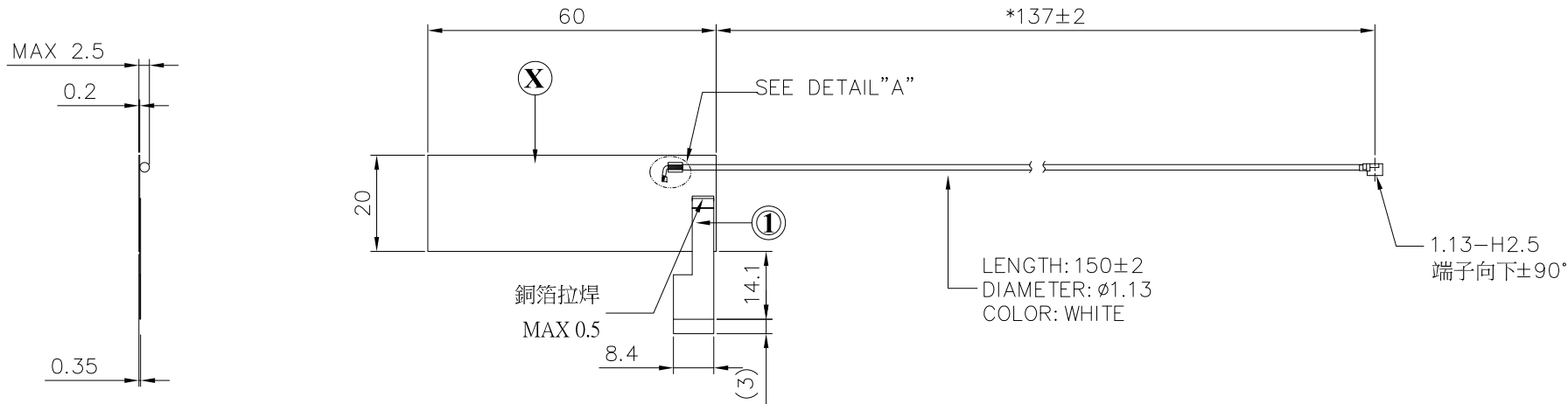
1

2

WNC CONFIDENTIAL

PART NUMBER BLOCK		CUSTOMER P/N BLOCK		CONFIRM ANTENNA SPEC.	
PART NUMBER	REV	PART NUMBER	REV	APPROVED	DATE
57XCAZ15.004	A	ANT-007-00-A0	X01	YUN CHI	06/18/20

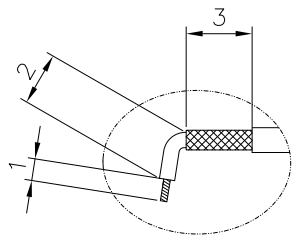
REVISIONS				
ZONE	REV	DESCRIPTION	DATE	APPROVED
	A	NEW RELEASE	06/18/20	VINCENT CC LIN



NOTES:

- 1.PCB ANTENNA SHOULD BE USED HEREUNDER.
- ⊗ 48XXXXXX
XXXXXXXXXXXXXXXXXXXXXXXXXXXXXXXXXXXX
- 2." * "ARE THE CRITICAL DIMENSIONS.

1	3TXXXXXXXX	PLATE, COPPER FOIL, LTE_A, XCAZ-KL2	1
ITEM	PART NO.	DESCRIPTION	QTY
ONLY ME PARTS REFERENCE			



DETAIL A
SCALE: 4/1

UNLESS OTHERWISE SPECIFIED ALL DIMENSIONS ARE IN mm AND TOLERANCES ARE:						WNC 啟碁科技股份有限公司 20 Park Avenue II, Hsinchu Science Park, Hsinchu 308, Taiwan, R.O.C. Tel: 886-3-6667799 Fax: 886-3-5788726	
		INTEGER DIMENSIONS ±0.2		ANGULAR DIMENSIONS ±1°		DWG TITLE	
		1 PLACE DECIMAL ±0.1		HOLES UNDER Ø5.00 ±0.05		LTM AUX DIPOLE, 1.13MM WHITE, XCAZ-KL2	
		2 PLACE DECIMALS ±0.05				SIZE DWG NO.	
MATERIAL: NA		FINISH: NA		THIRD ANGLE PROJECTION		A3 57XCAZ15.004	
81XCAZ15.G04		XCAZ-KL2		DRAWN STACY CHANG 06/18/20		REV A	
NEXT ASSY		USED ON		ENGR YUN CHI 06/18/20		SCALE 1/1 SHEET 1 OF 1	
APPLICATION				APVD VINCENT CC LIN 06/18/20			

1

2

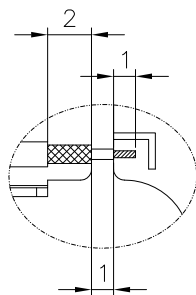
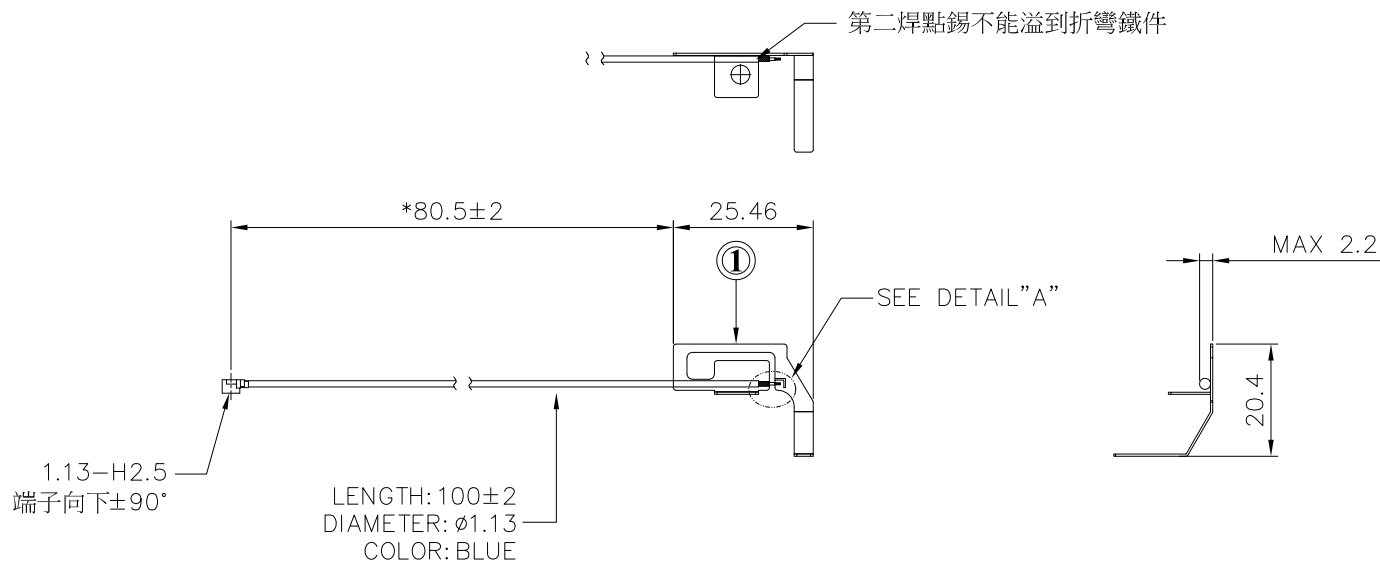
1

2

WNC CONFIDENTIAL

PART NUMBER BLOCK		CUSTOMER P/N BLOCK		CONFIRM ANTENNA SPEC.	
PART NUMBER	REV	PART NUMBER	REV	APPROVED	DATE
57XCAZ15.005	A	ANT-009-00-A0	X01	YUN CHI	06/18/20

REVISIONS				
ZONE	REV	DESCRIPTION	DATE	APPROVED
	A	NEW RELEASE	06/18/20	VINCENT CC LIN



DETAIL A
SCALE: 4/1

" * " ARE THE CRITICAL DIMENSIONS.

ITEM	PART NO.	DESCRIPTION	QTY
1	3SXXXXXXXXX	ANTENNA, GPS, XCAZ-KL2	1

ONLY ME PARTS REFERENCE

		UNLESS OTHERWISE SPECIFIED ALL DIMENSIONS ARE IN mm AND TOLERANCES ARE: INTEGER DIMENSIONS ±0.2 1 PLACE DECIMAL ±0.1 2 PLACE DECIMALS ±0.05 ANGULAR DIMENSIONS ±1° HOLES UNDER ø5.00 ±0.05				WNC 啟碁科技股份有限公司 Wistron NeWeb Corp. 20 Park Avenue II, Hsinchu Science Park, Hsinchu 308, Taiwan, R.O.C. Tel: 886-3-6667799 Fax: 886-3-5788726	
MATERIAL: NA		DWG TITLE				GPS, PIFA, 1.13MM BLUE, XCAZ-KL2	
FINISH: NA		THIRD ANGLE PROJECTION				SCALE	
81XCAZ15.G05	XCAZ-KL2	DRAWN	STACY CHANG	06/18/20	SIZE	DWG NO.	REV
NEXT ASSY	USED ON	ENGR	YUN CHI	06/18/20	A3	57XCAZ15.005	A
APPLICATION		APVD	VINCENT CC LIN	06/18/20	1/1		SHEET 1 OF 1

1

2

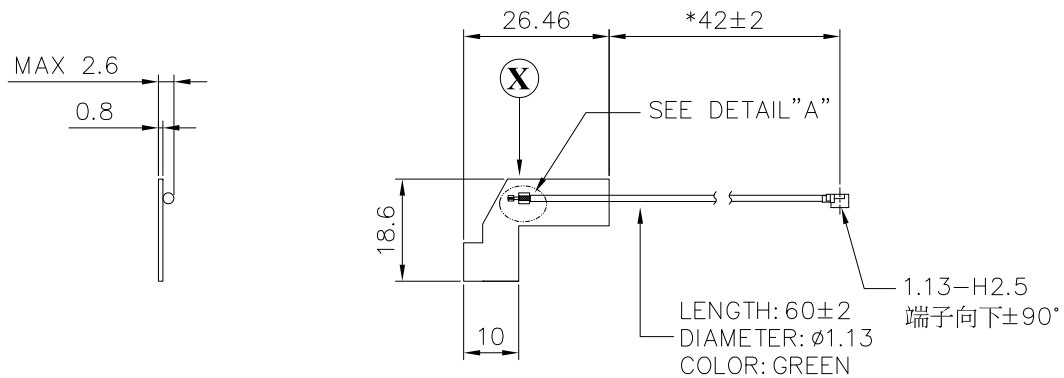
1

2

WNC CONFIDENTIAL

PART NUMBER BLOCK		CUSTOMER P/N BLOCK		CONFIRM ANTENNA SPEC.	
PART NUMBER	REV	PART NUMBER	REV	APPROVED	DATE
57XCAZ15.006	A	ANT-008-00-A0	X01	YUN CHI	06/18/20

REVISIONS				
ZONE	REV	DESCRIPTION	DATE	APPROVED
	A	NEW RELEASE	06/18/20	VINCENT CC LIN

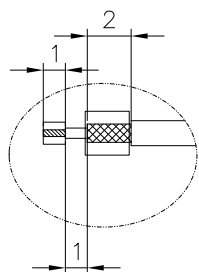


NOTES:

1.PCB ANTENNA SHOULD BE USED HEREUNDER.

⊗ 48XXXXXX
XXXXXXXXXXXXXXXXXXXXXXXXXXXXXXXXXXXX

2." * "ARE THE CRITICAL DIMENSIONS.



DETAIL A

SCALE: 4/1

UNLESS OTHERWISE SPECIFIED ALL DIMENSIONS ARE IN mm AND TOLERANCES ARE:						WNC 啟碁科技股份有限公司	
INTEGER DIMENSIONS ±0.2			ANGULAR DIMENSIONS ±1°			20 Park Avenue II, Hsinchu Science Park, Hsinchu 308, Taiwan, R.O.C.	
1 PLACE DECIMAL ±0.1			HOLES UNDER Ø5.00 ±0.05			Tel: 886-3-6667799 Fax: 886-3-5788726	
2 PLACE DECIMALS ±0.05			MATERIAL: NA				
FINISH: NA					DWG TITLE		
81XCAZ15.G06 XCAZ-KL2					WIFI, PIFA, 1.13 GREEN, XCAZ-KL2		
NEXT ASSY USED ON					THIRD ANGLE PROJECTION		SIZE DWG NO.
APPLICATION					ENGR	YUN CHI	06/18/20
					APVD	VINCENT CC LIN	06/18/20
					SCALE 1/1		REV A
					SHEET 1 OF 1		

1

2