



Antenna Test Report

Customer : DEVIALET

Project : ED002

Date 20231030



Antenna Test Report

Test Setup for Radiation Pattern Measurement



Equipment	Brand	Module Type
Network Analyzer	keysight	5071c (100K-8.5G)
Signal Generator	R&S	CMW500
Signal Generator	Agilent	E4438C
3D Anechoic chamber	General Test	RayZone 2800



Antenna Test Report

ANT picture



Manufacturer : ATWE Intelligent Communications(Shenzhen) Co., Ltd

Test software /equipment : RayZone 2800

Equipment calibration date : 2023-01-15

Manufacturer address : 1st Floor, Building 55, Dayun Software Town, 8288 Longgang Avenue,
Longgang District, Shenzhen

Test Lab : Tiinlab---RF-Lab



Antenna Test Report

Results Summary

Gain & Efficiency

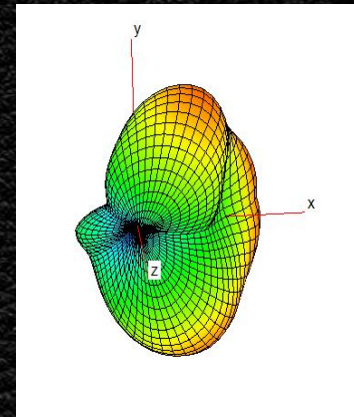
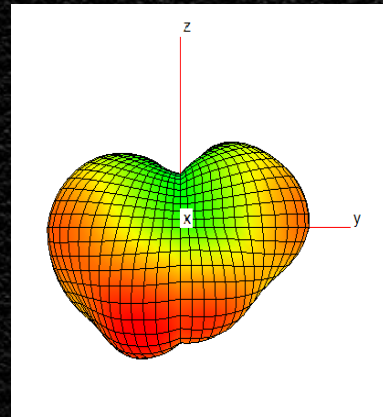
Frequency (MHz)	L		R	
	Peak Gain (dBi)	Efficiency (%)	Peak Gain (dBi)	Efficiency (%)
2400	-2.9	27.1	-3.3	26.3
2410	-2.7	27.5	-3.3	26.6
2420	-2.6	28.4	-3.1	27.2
2430	-2.5	29.4	-3	28.4
2440	-2.4	29.2	-2.8	28.6
2450	-2.7	28.4	-2.7	28.4
2460	-2.8	27.8	-2.7	28
2470	-3	26.7	-2.9	27.7
2480	-3.1	26.5	-3.2	26.8
2490	-3.5	26.4	-3.2	26.5
2500	-3.6	26.1	-3.3	26.2



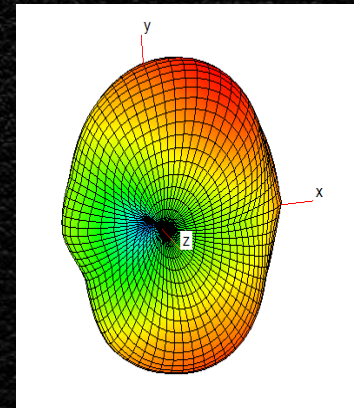
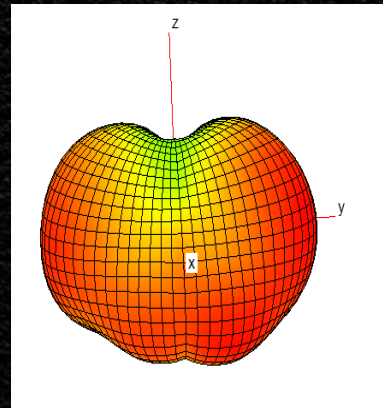
Antenna Test Report

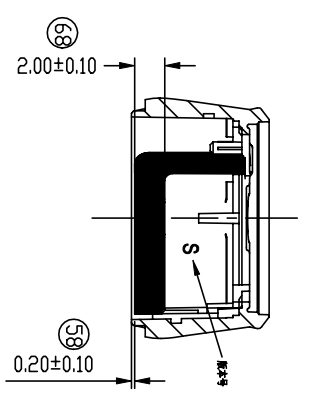
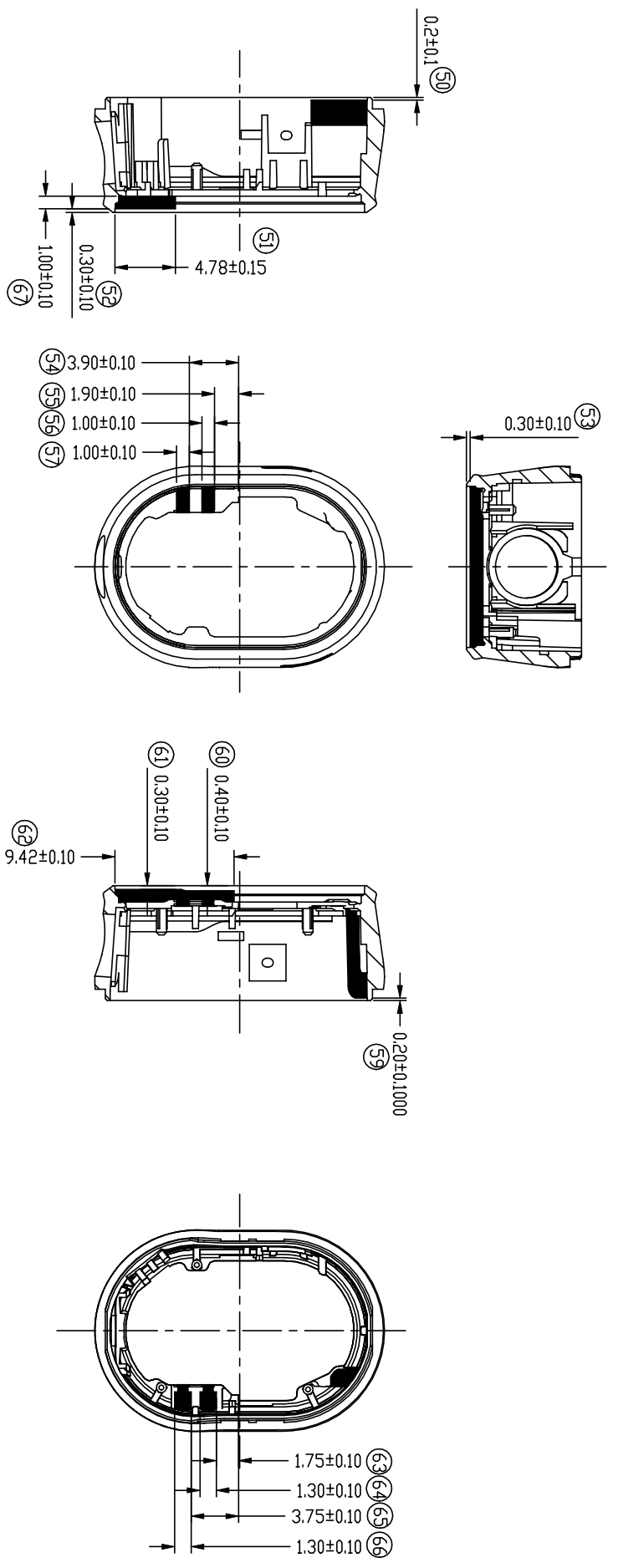
Radiation Pattern

L



R





技术要求：
 1、黄色面为LDS区域，厚度0.02mm以内。
 2、天线需做导通测试。
 3、天线需过48H盐雾测试。
 4、外壳外观需用达因笔测试，需过34达因。
 5、中

THIRD ANGLE PROJECTION	REL. TOOLING
TOLERANCE UNLESS OTHERWISE STATED	
0~5	±0.05
5.1~10	±0.08
10.1~50	±0.10
50.1~100	±0.15
100.1~	±0.30
ANGULAR	±1/4°

REVISION	DESCRIPTION/REVISION	CHG.BY	APPR.BY	DATE
A0	REL FOR TOOLING			
DES. BY	Devin Tang	DATE	06/01/2023	
CHK. BY	彭浩亮	DATE	06/01/2023	
APR. BY	郑青青	DATE	06/01/2023	

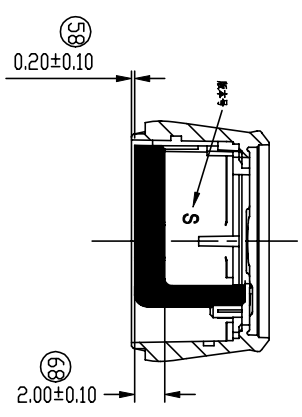
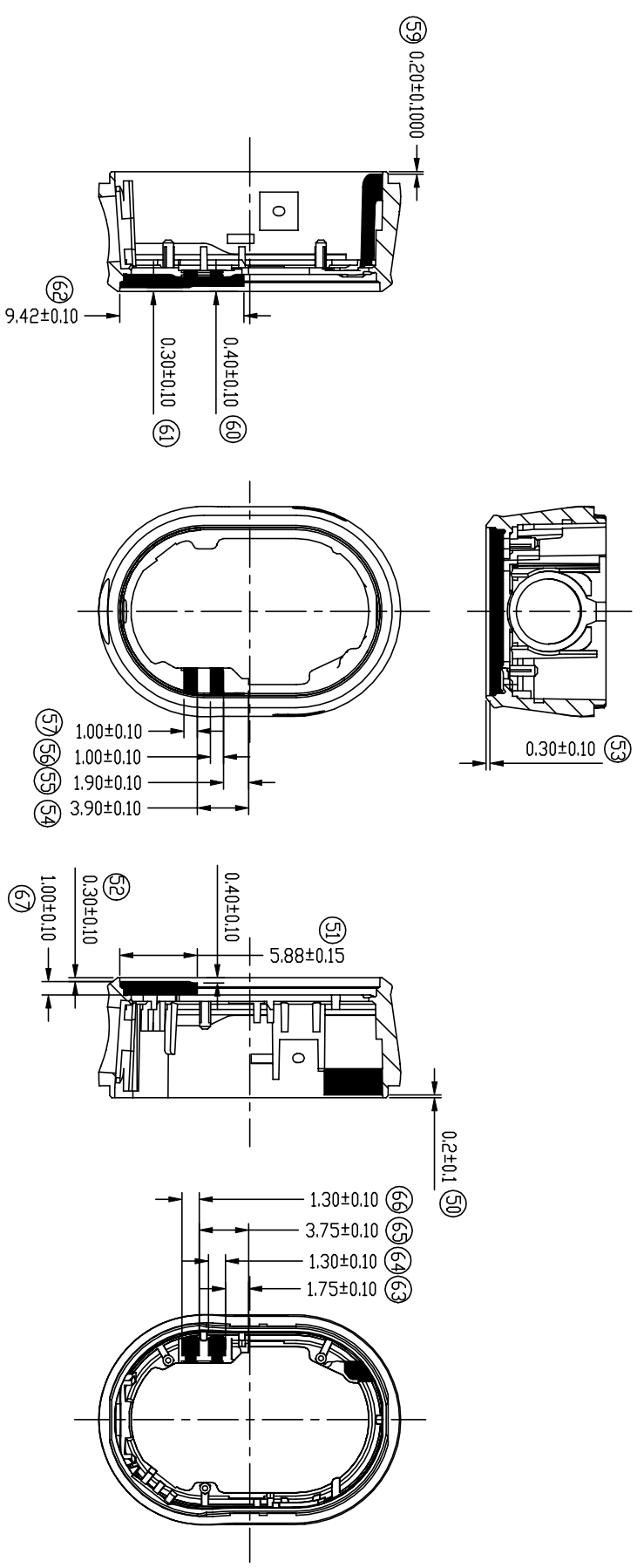
PRODUCT NAME	DATE
Middle-case-1	
左中壳	

DWG. NO.	DATE
0201000A513-黑色款	
0201000A691-白色款	

Material	PC+ABS
MODEL	ED002
SCALE	Rev
UNITS	mm
SHEET	2 of 2

NOTICE
 THE INFORMATION CONTAINED HEREIN IS CONFIDENTIAL AND PROPRIETARY AND MAY NOT BE DISCLOSED OR USED IN ANY WAY WITHOUT THE EXPRESSED WRITTEN PERMISSION OF TimLab.





技术要求：
 1、黄色面为LDS区域，厚度0.02mm以内。
 2、天线需做百格测试。
 3、天线需过48H盐雾测试。
 4、天线需外观用达因笔测试，需过34达因。
 5、外壳需外观用达因笔测试，需过34达因。

THIRD ANGLE PROJECTION	
TOLERANCE UNLESS OTHERWISE STATED	
0~5	±0.05
5.1~10	±0.08
10.1~50	±0.10
50.1~100	±0.15
100.1~	±0.30
ANGULAR	±1/4°

AI	REL FOR TOOLING	CHG.BY	APPR.BY	DATE
REVISION	DESCRIPTION/REVISION			
DES. BY	Devlin Tang	DATE	10/26/2023	
CHK. BY	彭浩亮	DATE	10/26/2023	
APR. BY	郑青普	DATE	10/26/2023	
PRODUCT NAME		Middle-Case-R		
右中壳				
DWG. NO.		020100A841-颜色款 020100A845-白色款		
Material		PC+ABS		
MODEL		ED002 Rev A1		
SCALE		2:1 SIZE A4		
UNITS		mm SHEET 2 OF 2		

NOTICE
 THE INFORMATION CONTAINED HEREIN IS CONFIDENTIAL AND PROPRIETARY AND MAY NOT BE DISCLOSED OR USED IN ANY WAY WITHOUT THE EXPRESSED WRITTEN PERMISSION OF Timlab.





Antenna Test Report

THANK YOU !

