

75 mm

900 mm

2.4G Remote Control



U6-ANY-001


Operating instructions

Remote control handle the main function description:

1. Wireless keyboard input function.
2. One-way voice transmission function.
3. Two-way voice transmission function.
4. Gamepad function.
5. Low voltage automatic detection function.
6. Touch control function.
7. Rechargeable power management functions.
8. Window/Android working mode switching function.

Intelligent features :

MINI keyboard:

Longer remote distance than traditional wired. Users can move freely at random. Enjoy the wireless digital life.

Gamepad:

New and more accurate 3D space moving calculation engine, to achieve Fast and accurate positioning, precise control, support Android and PC two modes of operation, flexible users function configuration, play games cheerfully.

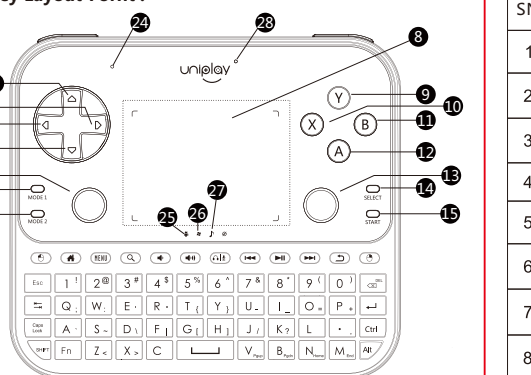
Touchpad:

Meet ergonomic design, easy to control.

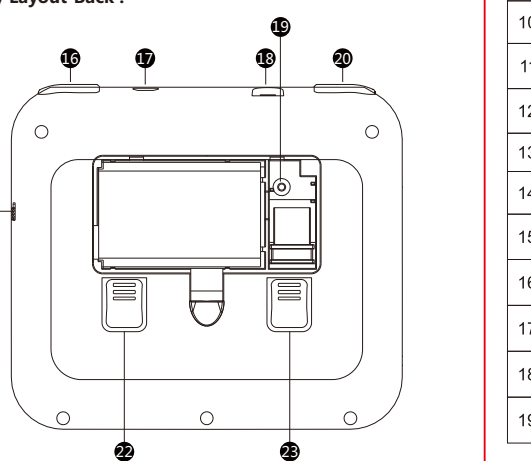
Two-way voice:

Microphone input, headphones output, it also has a voice call, voice assistant and other functions if the final device has corresponding functions. Achieves human-computer interaction applications.

一、Key Layout-Forn :



二、Key Layout-Back :



SN	Button icon	Button functions	
		Android mode	PC mode
1		Axis Hat Y-	Up Arrow
2		Axis Hat X+	Right Arrow
3		Axis Hat X-	Left Arrow
4		Axis Hat Y+	Down Arrow
5		Left Joystick Up/Down/Left/Right	Y-/Y+/X-/X+
6		Button L Thumb	c
7		Button R Thumb	N
8		(Touchpad)	
9		Button Y	4
10		Button X	3
11		Button B	2
12		Button A	1
13		right Joystick Up/Down/Left/Right	RZ-/RZ+/-Z-/Z+
14		Button Select	9
15		Button Start	0
16		Button R1	6
17		(Micro USB charging port)	
18		(Headphone port)	
19		(Pairing function key)	

20		Button L1	5
21		(Power on/off)	
22		Button R2 & Axis R Trigger	8
23		Button L2 & Axis L Trigger	7
24		(Mic)	

Using instructions:

Open the battery cover and take out the USB receiver, plug the USB receiver into the USB port of the windows / android device.

The remote control handle has already paired with USB receiver when it is ex-factory. So turn on this product and the Android indicator light is on, the game key, game joysticks and mini keyboard are in working mode.



Indicator Description of Remote Control:

SN	Indicator name	Color	Function description of indicator
25	Android indicator	blue	In Android mode low voltage state
26	WIN indicator	blue	In Windows mode
27	Voice indicator light	blue	In two-way voice
28	Charging indicator light	red	In charging/ Power state

Note: 1. No. 25 indicators lights on, means the product is in Android working mode, supporting one-way Voice, touch function, gamepad and mini keyboard function.

2. No. 26 indicators lights on, means the product is in PC working mode, supporting one-way Voice, touch function, gamepad and mini keyboard function.

3. No. 25/27 indicators lights on, means the product is in Android working mode and two-way voice function is on, supporting gamepad and mini keyboard function, no touch function.

4. No. 26/27 indicators lights on, means the product is in PC working mode and two-way voice function is on, supporting gamepad and mini keyboard function, no touch function.

5. No. 28 indicators is bright on in charging status, lights off when charging is completed.

6. All lights off when the product is in sleep/shutdown.

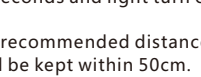
Pairing method:

The gamepad is defaults to one-to-one pairing with USB before delivery. Pairing method as below. There has a special pairing metal key in battery house.

1. Pull out the USB receiver from the products, press any key on mini keyboard, the 4 blue LED lights is in flash mode, then press the special pairing key, the 4 LED lights will fast flashes, means in pairing mode.
2. Plug the USB into final device, the 4 blue LED lights will fast flashes few second until Android indicators is lighting, means pairing is successful.

Note: The pairing effective time is 10s. If pairing is not successful after enter pairing mode 10 seconds, the 4 blue LED lights flashes 20 seconds and light turn off, means pairing is failed.

Pairing distance: the recommended distance between the receiver and gamepad be kept within 50cm.



The USB Receiver and Pairing key

Android working mode/PC working mode switch:

The gamepad supports two kinds of working systems, Android system and PC system. If the device is Android system, switching the gamepad operating mode to Android mode, then can use the game control keys and joysticks; if the device is Window system, switching the gamepad operating mode to PC mode, then can use the game control keys and joystick. The switching method is as follows:

1. Press the **Fn + MODE1** button at the same time, Android indicator lights up after flashes twice, means switches to the Android work mode successfully, and press **Fn + MODE1** is no function;
2. Press the **Fn + MODE2** button at the same time, WIN indicator lights up after flashes twice, means switches to PC work mode successfully, and press **Fn + MODE2** is no function.

Two-way voice mode on / off

The gamepad supports one-way voice function (microphone voice input) and two-way voice function (microphone into the sound, headphones sound). The one-way voice function is turned on by default when this gamepad is power on, then it can upload voice information to the terminal device through terminal device recording software or voice assistant.

If the two-way voice function is needed, please press **Fn +** at the same time to turn on two-way voice function, the current working mode indicator and two-way voice work indicator lights up, at this point, plug headphone into headphone hole of the gamepad and open the music player of terminal device to play music, users can listens to this music. Users can also speak to the microphone of remote control handle, if this controller already opens recording or other software, then user's words will be pass to the terminal device through this controller.

When two-way voice function is on, if press the switch combination key at the same time, then controller is turned

off two-way voice function, the two-way voice work light is off.

Touch function:

This gamepad has touch function, when its power on, touch function will be default to turn on. The touch function includes cursor positioning function and wheel function.

1. Cursor positioning function: single finger moves in the touch are can moves mouse.
2. Wheel function: two fingers slides up and down parallelly is equivalent to the mouse wheel scroll up and down.
3. Left mouse button: single finger moves the cursor to the desired location, click the touch area is equivalent to click left mouse, double click the touch area is equivalent to double click left mouse button. Or click (double click) the left mouse button on the mini keyboard.
4. Right mouse button: Click the left mouse button on the mini keyboard.

Gamepad function:

The device supports gamepad function. When it's power-on, it can control the generic game of Android system. If you need to control the game of PC system, you need to press the **Fn + MODE2** key, WIN indicator will brights after light flashes twice, this is indicates the device is switched to PC mode, then it can control the generic game of PC system.

Note: If you find the device is out of control, please confirm whether the corresponding work indicator has response when button is pressed, or through the game interface to select the key setting option to set the function key.

Key description of mini keyboard:

The gamepad is equipped with a mini keyboard to meet the users to text, letters, digital input and the use of multimedia shortcuts to control the multimedia playback, volume adjustment and other needs.

1. Press grey color button can achieves the key function of gray character.

2. In Fn state, it can outputs the key function of blue character, it means if have to output + characters, there need to press **Fn & [P_]** at the same time to output characters +.
3. Hold P+ button more than 0.8s can also output character +, long press and hold the button, the device is also output a character +, won't continuous output.

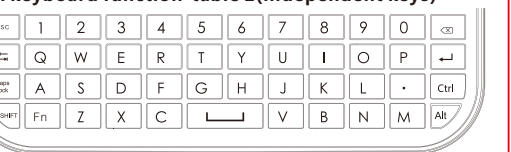


Mini keyboard function—table 1 (Multimedia shortcuts)

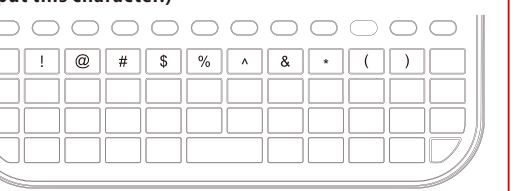
SN	button icon	Button functions
1		Mouse Left
2		Home
3		Menu
4		Search
5		Volume Down
6		Volume Up
7		Two-way voice switch button , Press this button and Fn at the same time, turn on /off two-way voice
8		Media Previous
9		Media Play/Pause

10		Media Next
11		Back
12		Mouse Right

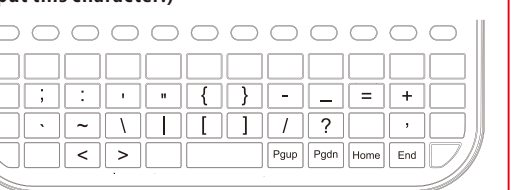
Mini keyboard function-table 2 (independent keys)



Mini keyboard function-table 3 (Press this button and Shift button at the same time to output this character, or press and hold this button more than 0.8 seconds to output this character.)



Mini keyboard function-table 4 (Press this button and Fn button at the same time to output this character, or press and hold this button more than 0.8 seconds to output this character.)



Note:

1. Long press the alphabets and characters of Mini keyboard (the four row button in arc area) is only send characters and letters in blue color. Except for **Esc, Tab, Caps Lock, Shift, Fn, Alt, Ctrl, Enter, Backspace**.
2. Press **Fn + Backspace** this two button is equate to press Delete, long press **Fn + Backspace** has continuous Delete function.

Low voltage automatic detection function:

Low battery indicator:

This game controller supports the function for battery low voltage detection LED indication. When the battery voltage of remote control is less than 3.5 v, each time when press one button, the low voltage status indicator will flashes until it is sleep, reminding users to recharge the remote control timely.

Battery Charging:

Charging the Gamepad when charging indicator of the gamepad flashes to indicate that battery is low. Charge Voltage: 5V Charge Current: 0.5A The charging light indicator lights up constantly when charging. The charging light indicator lights out when charging finished .

Electronic property:

Power supply: 800mAh rechargeable lithium battery (Detachable replacement) Rated Voltage:3.7V Standby Current: 33mA (If no working with 20 seconds , it will go standby) Sleeping Current:30μA (If no press with 3 minutes ,it will go sleeping) Lowest Working Voltage:3.3V; Wireless distance:>10 meters;(The maximum distance of voice transmission is 5 meters)

Battery life: about 1 month (according to normal frequency of use)

Voice Continuous working time:about 20 hours
Continuous standby time:about 1 year

We reserve the right to make improvements to the products described in this operating instructions. The product is subject to change without notice. If the pictures and words mentioned in the instructions are different, please prevail in kind.

FCC Warning:

This equipment has been tested and found to comply with the limits for a Class B digital device, pursuant to part 15 of the FCC Rules. These limits are designed to provide reasonable protection against harmful interference in a residential installation. This equipment generates, uses and can radiate radio frequency energy and, if not installed and used in accordance with the instructions, may cause harmful interference to radio communications. However, there is no guarantee that interference will not occur in a particular installation. If this equipment does cause harmful interference to radio or television reception, which can be determined by turning the equipment off and on, the user is encouraged to try to correct the interference by one or more of the following measures:
o Reorient or relocate the receiving antenna.
o Increase the separation between the equipment and receiver.
o Connect the equipment into an outlet on a circuit different from that to which the receiver is connected.
o Consult the dealer or an experienced radio/TV technician for help.

Caution: Any changes or modifications to this device not explicitly approved by manufacturer could void your authority to operate this equipment.

This device complies with part 15 of the FCC Rules. Operation is subject to the following two conditions: (1) This device may not cause harmful interference, and (2) this device must accept any interference received, including interference that may cause undesired operation.

157克铜版纸，12折页，折后尺寸75MM*125MM,单色印刷