



FCC TEST REPORT

FCC ID: 2AN8FMSL-W6011Q

Product Name:	Light Up Speaker
Trademark:	N/A
Model Number:	MSL-W6011Q 7197-29
Prepared For :	Shenzhen Mossloo Industrial Co.,Ltd
Address :	Road One No.4, Science Industrial Park, Shangxue Village, Bantian Street, Longgang District, Shenzhen, China
Prepared By :	Shenzhen BCTC Testing Co., Ltd.
Address :	BCTC Building & 1-2F, East of B Building, Pengzhou Industrial, Fuyuan 1st Road, Qiaotou Community, Fuyong Street, Bao'an District, Shenzhen, China
Test Date:	Nov. 22, 2019 to Dec. 09, 2019
Date of Report :	Dec. 09, 2019
Report No.:	BCTC1911001387-2E



TABLE OF CONTENTS

TEST REPORT DECLARATION3

1.GENERAL INFORMATION4

 1.1. Report information4

 1.2. Measurement Uncertainty4

 1.3. Test Facility4

 1.4. Test Uncertainty4

2.PRODUCT DESCRIPTION5

 2.1. EUT Description5

 2.2. Test mode5

 2.3. Block Diagram of EUT Configuration5

 2.4. Test Conditions5

 2.5. Description Of Support Units (Conducted Mode)6

3.TEST RESULTS SUMMARY6

4.TEST EQUIPMENT USED.....7

 4.1. For Conducted Emission Test7

 4.2. For Radiated Emission Measurement7

5.CONDUCTED EMISSION TEST8

 5.1. Block Diagram of Test Setup8

 5.2. Test Standard8

 5.3. Conducted Emission Limit8

 5.4. EUT Configuration on Test8

 5.5. Operating Condition of EUT9

 5.6. Test Procedure9

 5.7. Test Result9

6.RADIATED EMISSION MEASUREMENT12

 6.1. Block Diagram of Test Setup12

 6.2. Test Standard and Limit13

 6.3. EMI Test Receiver Setup14

 6.4. Test Procedure14

 6.5. Test Result14

7.BANDWIDTH TEST18

8.EUT TEST PHOTOS20

9.EUT PHOTOS22

TEST REPORT DECLARATION

Applicant : Shenzhen Mossloo Industrial Co.,Ltd
Address : Road One No.4, Science Industrial Park, Shangxue Village,
Bantian Street, Longgang District, Shenzhen, China
EUT Description : Light Up Speaker
Model Number : MSL-W6011Q
7197-29

Test Standards:

FCC Part 15 C

This device described above has been tested by BCTC, and the test results show that the equipment under And it is applicable only to the tested sample identified in the report.

This report shall not be reproduced except in full, without the written approval of BCTC, this document may be altered or revised by BCTC, personal only, and shall be noted in the revision of the document.

Prepared by(Engineer):

Cai Fang Zhong

Cai Fang Zhong

Reviewer(Supervisor):

Eric Yang

Eric Yang

Approved(Manager):

Zero Zhou





1. GENERAL INFORMATION

1.1. Report information

- 1.1.1. This report is not a certificate of quality; it only applies to the sample of the specific product/equipment given at the time of its testing. The results are not used to indicate or imply that they are application to the similar items. In addition, such results must not be used to indicate or imply that BCTC approves recommends or endorses the manufacture, supplier or use of such product/equipment, or that BCTC in any way guarantees the later performance of the product/equipment.
- 1.1.2. The sample/s mentioned in this report is/are supplied by Applicant, BCTC therefore assumes no responsibility for the accuracy of information on the brand name, model number, origin of manufacture or any information supplied.
- 1.1.3. Additional copies of the report are available to the Applicant at an additional fee. No third part can obtain a copy of this report through BCTC, unless the applicant has authorized BCTC in writing to do so.

1.2. Measurement Uncertainty

Available upon request.

1.3. Test Facility

Site Description

Name of Firm : Shenzhen BCTC Testing Co., Ltd.

Site Location : BCTC Building & 1-2F, East of B Building,
Pengzhou Industrial, Fuyuan 1st Road, Qiaotou
Community, Fuyong Street, Bao'an District,
Shenzhen, China

1.4. Test Uncertainty

Conducted Emission Uncertainty = $\pm 2.66\text{dB}$
Radiated Emission Uncertainty = $\pm 4.15\text{dB}$



2. PRODUCT DESCRIPTION

2.1.EUT Description

Description : Light Up Speaker

Applicant : **Shenzhen Mossloo Industrial Co.,Ltd**
Road One No.4, Science Industrial Park, Shangxue Village,
Bantian Street, Longgang District, Shenzhen, China

Manufacturer : **Shenzhen Mossloo Industrial Co.,Ltd**
Road One No.4, Science Industrial Park, Shangxue Village,
Bantian Street, Longgang District, Shenzhen, China

Model Number : MSL-W6011Q
7197-29

Model Difference : All the model are the same circuit and RF module, except
model names .

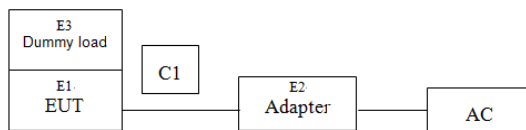
Power Supply : Input: DC5V-2A
USB Output: DC5V-2A
Wireless Output: DC5V-1A

Work Frequency : 110-220KHz

2.2.Test mode

Test Modes	keeping TX+Charging mode
------------	--------------------------

2.3.Block Diagram of EUT Configuration



2.4.Test Conditions

Temperature: 23~26°C

Relative Humidity: 54~63 %



2.5. Description Of Support Units (Conducted Mode)

The EUT has been tested as an independent unit together with other necessary accessories or support units. The following support units or accessories were used to form a representative test configuration during the tests.

Item	Equipment	Mfr/Brand	Model/Type No.	Series No.	Note
E1	Light Up Speaker	N/A	MSL-W6011Q	N/A	EUT
E2	Adapter	N/A	BCTC-002	N/A	Auxiliary
E3	Dummy load	N/A	DL01	N/A	Auxiliary

Item	Shielded Type	Ferrite Core	Length	Note
C1	NO	NO	0.3M	DC cable unshielded

Note:

- (1) The support equipment was authorized by Declaration of Confirmation.
- (2) For detachable type I/O cable should be specified the length in cm in 『Length』 column.
- (3) “YES” is means “shielded” “with core”; “NO” is means “unshielded” “without core”.

3. TEST RESULTS SUMMARY

Table 1 Test Results Summary

Test Items	Test Results
Conducted disturbance	Pass
Radiated disturbance	Pass

Remark: “N/A” means “Not applicable.”

4. TEST EQUIPMENT USED

4.1. For Conducted Emission Test

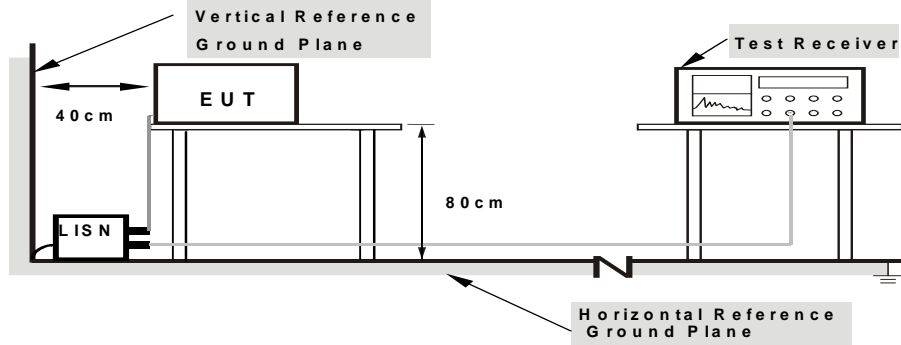
Item	Equipment	Manufacturer	Type No.	Serial No.	Last calibration	Calibrated until
1	Test Receiver	R&S	ESR3	102075	Jun. 13, 2019	Jun. 12, 2020
2	LISN	SCHWARZBECK	NSLK8127	8127739	Jun. 13, 2019	Jun. 12, 2020
3	LISN	R&S	ENV216	101375	Jun. 13, 2019	Jun. 12, 2020
4	RF cables	Huber+Suhnar	9kHz-30MHz	B1702988-0008	Jun. 25, 2019	Jun. 24, 2020
5	Software	Frad	EZ-EMC	EMC-CON 3A1	\	\

4.2. For Radiated Emission Measurement

Item	Equipment	Manufacturer	Type No.	Serial No.	Last calibration	Calibrated until
1	Spectrum Analyzer (9kHz-26.5GHz)	Agilent	E4407B	MY45109572	Jun. 13, 2019	Jun. 12, 2020
2	Test Receiver (9kHz-7GHz)	R&S	ESR7	101154	Jun. 13, 2019	Jun. 12, 2020
3	Bilog Antenna (30MHz-3GHz)	SCHWARZBECK	VULB9163	VULB9163-942	Jun. 22, 2019	Jun. 21, 2020
4	Horn Antenna (1GHz-18GHz)	SCHWARZBECK	BBHA9120D	1541	Jun. 22, 2019	Jun. 21, 2020
5	Horn Antenna (18GHz-40GHz)	SCHWARZBECK	BBHA9170	822	Jun. 22, 2019	Jun. 21, 2020
6	Amplifier (9kHz-6GHz)	SCHWARZBECK	BBV9744	9744-0037	Jun. 25, 2019	Jun. 24, 2020
7	Amplifier (0.5GHz-18GHz)	SCHWARZBECK	BBV9718	9718-309	Jun. 25, 2019	Jun. 24, 2020
8	Amplifier (18GHz-40GHz)	MITEQ	TTA1840-35-HG	2034381	Jun. 17, 2019	Jun. 16, 2020
9	Loop Antenna (9kHz-30MHz)	SCHWARZBECK	FMZB1519B	014	Jul. 02, 2019	Jul. 01, 2020
10	RF cables1 (9kHz-30MHz)	Huber+Suhnar	9kHz-30MHz	B1702988-0008	Jun. 25, 2019	Jun. 24, 2020
11	RF cables2 (30MHz-1GHz)	Huber+Suhnar	30MHz-1GHz	1486150	Jun. 25, 2019	Jun. 24, 2020
12	RF cables3 (1GHz-40GHz)	Huber+Suhnar	1GHz-40GHz	1607106	Jun. 25, 2019	Jun. 24, 2020
13	Power Metter	Keysight	E4419B	\	Jun. 17, 2019	Jun. 16, 2020
14	Power Sensor (AV)	Keysight	E9 300A	\	Jun. 17, 2019	Jun. 16, 2020
15	Signal Analyzer 20kHz-26.5GHz	KEYSIGHT	N9020A	MY49100060	Jun. 13, 2019	Jun. 12, 2020
16	Test Receiver 9kHz-40GHz	R&S	FSP40	100363	Jun. 13, 2019	Jun. 12, 2020
17	D.C. Power Supply	LongWei	TPR-6405D	\	\	\
18	Software	Frad	EZ-EMC	FA-03A2 RE	\	\

5. CONDUCTED EMISSION TEST

5.1. Block Diagram of Test Setup



Note: 1. Support units were connected to second LISN.
2. Both of LISNs (AMN) are 80 cm from EUT and at least 80 cm from other units and other metal planes

The setup of EUT is according with per ANSI C63.10-2013 measurement procedure. The specification used was with the FCC Part 15.207 limits.

5.2. Test Standard

FCC§15.207

5.3. Conducted Emission Limit

Frequency MHz	Limits dB(μV)	
	Quasi-peak Level	Average Level
0.15 ~ 0.50	66 ~ 56*	56 ~ 46*
0.50 ~ 5.00	56	46
5.00 ~ 30.00	60	50

Notes: 1. *Decreasing linearly with logarithm of frequency.

5.4. EUT Configuration on Test

The following equipments are installed on conducted emission test to meet FCC Part 15.207 requirement and operating in a manner, which tends to maximize its emission characteristics in a normal application.



5.5. Operating Condition of EUT

5.5.1. Setup the EUT and simulators as shown in Section 5.1.

5.5.2. Turn on the power of all equipments.

5.5.3. Let the EUT work in test modes (EUT Working) and test it.

5.6. Test Procedure

The EUT is put on a table of non-conducting material that is 80cm high. The vertical conducting wall of shielding is located 40cm to the rear of the EUT. The power line of the EUT is connected to the AC mains through a Artificial Mains Network (A.M.N.). A EMI test receiver (R&S Test Receiver ESR3) is used to test the emissions form both sides of AC line. The bandwidth of EMI test receiver is set at 9kHz.

The bandwidth of the test receiver (R&S Test Receiver ESR3) is set at 10KHz.

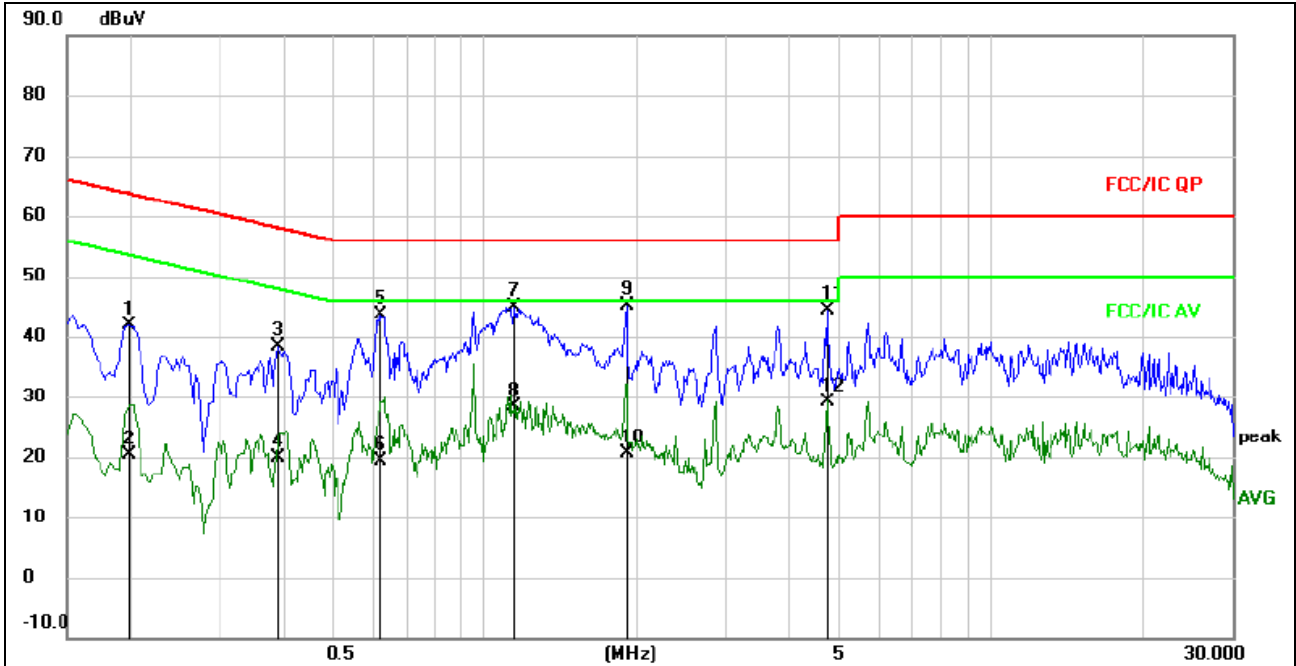
We pretest AC 120V and AC 240V, the worst voltage was AC 120V and the data recording in the report.

5.7. Test Result

PASS



EUT:	Light Up Speaker	Model Name :	MSL-W6011Q
Temperature:	26 °C	Relative Humidity:	54%
Pressure:	101kPa	Phase :	L
Test Voltage :	AC120V 60Hz		



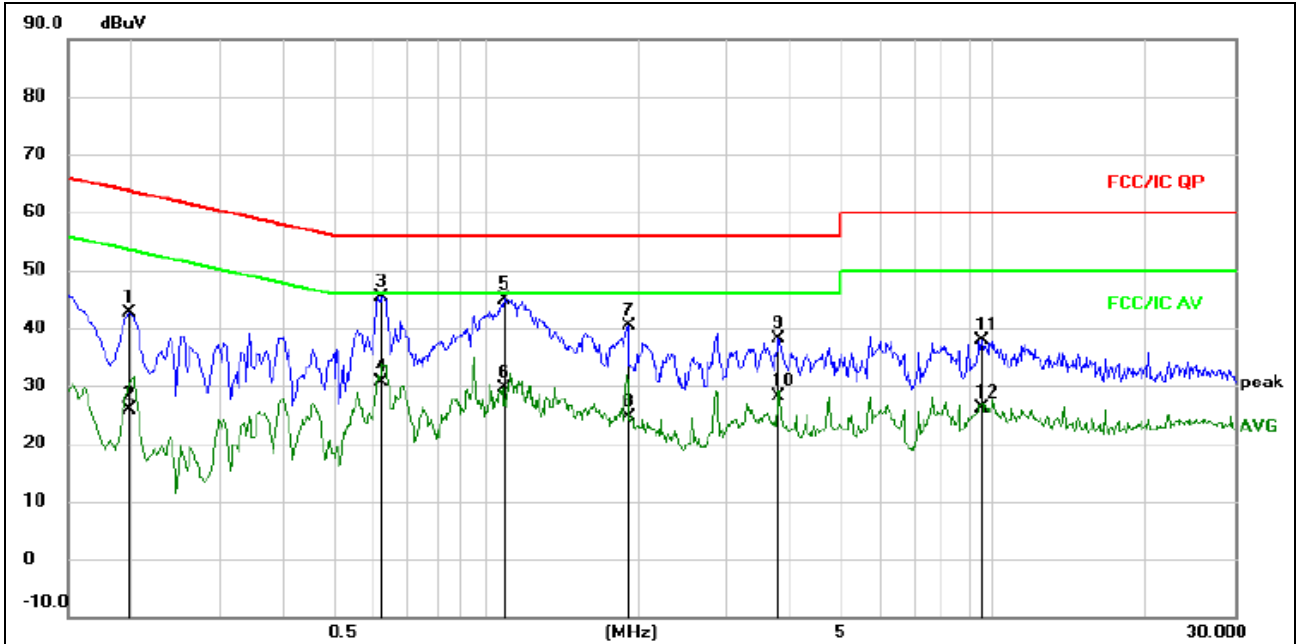
Remark:

1. All readings are Quasi-Peak and Average values.
2. Factor = Insertion Loss + Cable Loss.

No.	Mk.	Freq. MHz	Reading Level dBuV	Correct Factor	Measure- ment dBuV	Limit dBuV	Over dB	Detector	Comment
1		0.1980	32.36	9.46	41.82	63.69	-21.87	QP	
2		0.1980	10.98	9.46	20.44	53.69	-33.25	AVG	
3		0.3899	28.87	9.51	38.38	58.07	-19.69	QP	
4		0.3899	10.43	9.51	19.94	48.07	-28.13	AVG	
5		0.6220	33.75	9.92	43.67	56.00	-12.33	QP	
6		0.6220	9.57	9.92	19.49	46.00	-26.51	AVG	
7		1.1420	35.38	9.57	44.95	56.00	-11.05	QP	
8		1.1420	18.82	9.57	28.39	46.00	-17.61	AVG	
9	*	1.9100	35.60	9.59	45.19	56.00	-10.81	QP	
10		1.9100	11.14	9.59	20.73	46.00	-25.27	AVG	
11		4.7700	34.66	9.78	44.44	56.00	-11.56	QP	
12		4.7700	19.28	9.78	29.06	46.00	-16.94	AVG	



EUT:	Light Up Speaker	Model Name :	MSL-W6011Q
Temperature:	26 °C	Relative Humidity:	54%
Pressure:	101kPa	Phase :	N
Test Voltage :	AC120V 60Hz		



Remark:

1. All readings are Quasi-Peak and Average values.
2. Factor = Insertion Loss + Cable Loss.

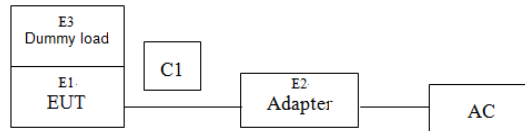
No.	Mk.	Freq. MHz	Reading Level dBuV	Correct Factor	Measure- ment dBuV	Limit dBuV	Over dB	Detector	Comment
1		0.1980	33.24	9.46	42.70	63.69	-20.99	QP	
2		0.1980	16.34	9.46	25.80	53.69	-27.89	AVG	
3	*	0.6260	35.48	9.91	45.39	56.00	-10.61	QP	
4		0.6260	20.69	9.91	30.60	46.00	-15.40	AVG	
5		1.0900	35.43	9.57	45.00	56.00	-11.00	QP	
6		1.0900	19.96	9.57	29.53	46.00	-16.47	AVG	
7		1.9100	30.88	9.59	40.47	56.00	-15.53	QP	
8		1.9100	15.13	9.59	24.72	46.00	-21.28	AVG	
9		3.7980	28.39	9.72	38.11	56.00	-17.89	QP	
10		3.7980	18.30	9.72	28.02	46.00	-17.98	AVG	
11		9.5100	28.23	9.69	37.92	60.00	-22.08	QP	
12		9.5100	16.47	9.69	26.16	50.00	-23.84	AVG	

Note: Pre-scan all modes, the worst case 5V mode data recording in this report.

6. RADIATED EMISSION MEASUREMENT

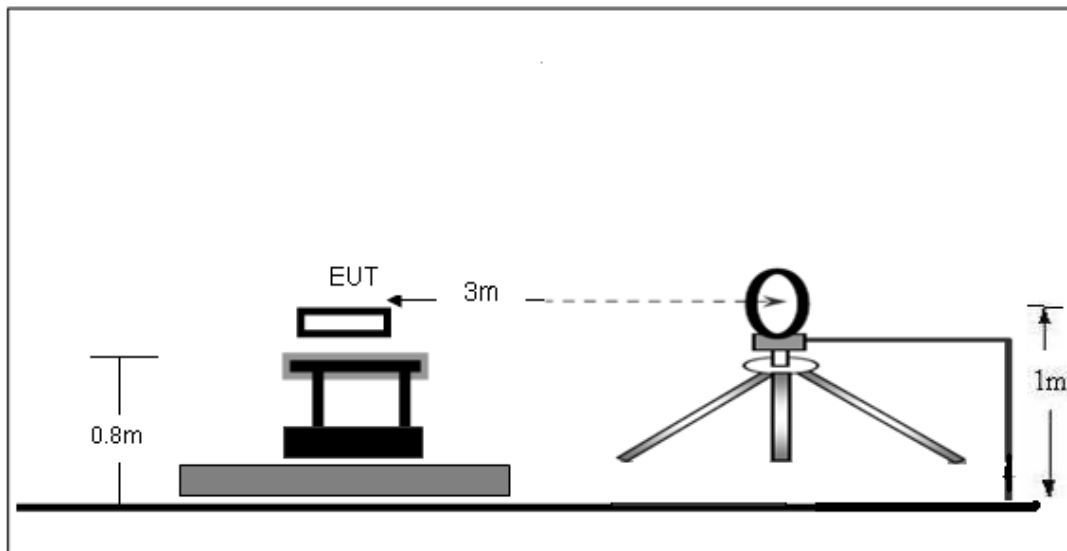
6.1. Block Diagram of Test Setup

6.1.1. Block Diagram of connection between the EUT and the simulators

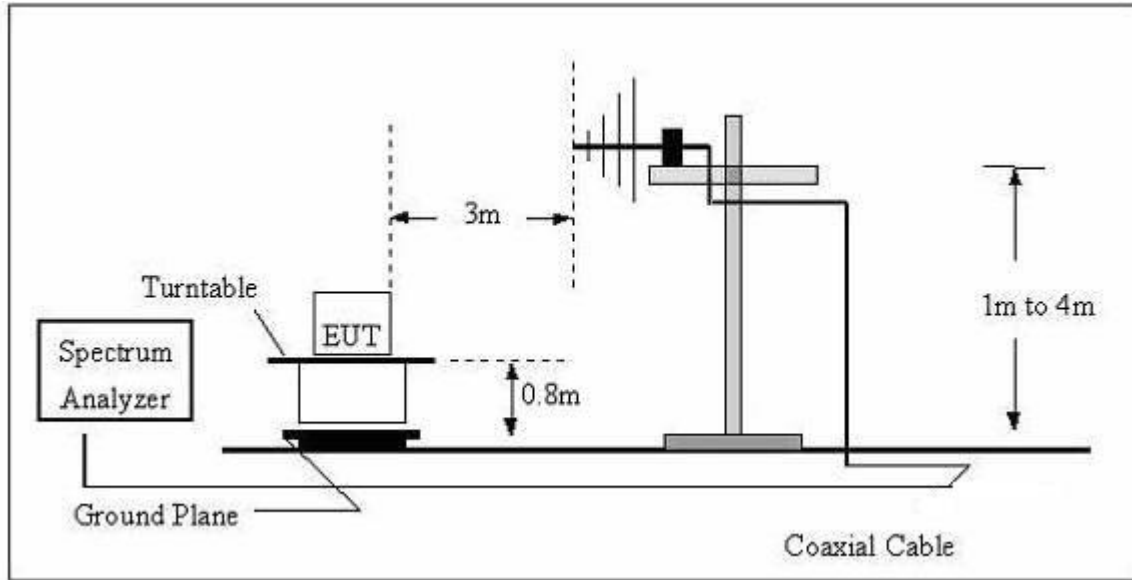


6.1.2. Anechoic Chamber Test Setup Diagram

(A) Radiated Emission Test-Up Frequency Below 30MHz



(B) Radiated Emission Test-Up Frequency 30MHz~1GHz



The radiated emission tests were performed in the 3 meters chamber test site, using the setup accordance with the ANSI C63.10-2013. The specification used was the FCC 15.209 and FCC 15.205 limits.

6.2. Test Standard and Limit

FCC §15.209; §15.205

Test Standard	FCC Part15 C Section 15.209 and 15.205					
	Frequency (MHz)	Field strength (microvolt/meter)	Limit (dBuV/m)	Remark	Measurement distance (m)	
Test Limit	0.009MHz~0.490MHz	2400/F(kHz)	-	-	300	
	0.490MHz~1.705MHz	24000/F(kHz)	-	-	30	
	1.705MHz~30MHz	30	-	-	30	
	30MHz~88MHz	100	40.0	Quasi-peak	3	
	88MHz~216MHz	150	43.5	Quasi-peak	3	
	216MHz~960MHz	200	46.0	Quasi-peak	3	
	Above 1000MHz		500	54.0	Average	3
			-	74.0	Peak	3



6.3.EMI Test Receiver Setup

The system was investigated from 9kHz to1GHz.

During the radiated emission test, the EMI test receiver setup was set with the following configurations:

Frequency Range	RBW	Video B/W	Detector
9 kHz – 150 kHz	200 Hz	600 Hz	QP
150 kHz – 30MHz	9kHz	30kHz	QP
30 MHz – 1000 MHz	120 kHz	300 kHz	QP

Note: For the frequency bands 9-90 kHz and 110-490 kHz, the test was based on average detector.

6.4.Test Procedure

The EUT is placed on a turn table which is 0.8 meter above ground. The turn table can rotate 360 degrees to determine the position of the maximum emission level. The EUT is set 3 meters away from the receiving antenna which is mounted on a antenna tower. The antenna can move up and down between 1 to 4 meters to find out the maximum emission level. Broadband antenna (calibrated by dipole antenna) are used as a receiving antenna. Both horizontal and vertical polarization of the antenna are set on measurement.

6.5.Test Result

PASS



9kHz-30MHz

EUT:	Light Up Speaker	Model Name :	MSL-W6011Q
Temperature:	26 °C	Relative Humidity:	54%
Pressure:	101kPa	Polarization :	Horizontal
Test Voltage :	AC120/60Hz		

Frequency (kHz)	Meter Reading (dBμV)	Factor (dB)	Emission Level (dBμV/m)	Limits (dBμV/m)	Margin (dB)	Detector Type
28.9000	36.35	20.15	56.50	118.39	-61.89	AV
56.8300	46.37	20.33	66.70	112.51	-45.81	AV
110.0000	47.73	20.45	68.18	106.78	-38.60	AV
127.9200	63.56	20.55	84.11	105.47	-21.36	AV
686.1800	31.34	20.64	51.98	70.88	-18.90	QP
967.6800	35.17	21.26	56.43	67.89	-11.46	QP
1225.3800	24.44	22.32	46.76	65.84	-19.08	QP

Note:

Pre-scan in the all of mode, the worst case in of was recorded.

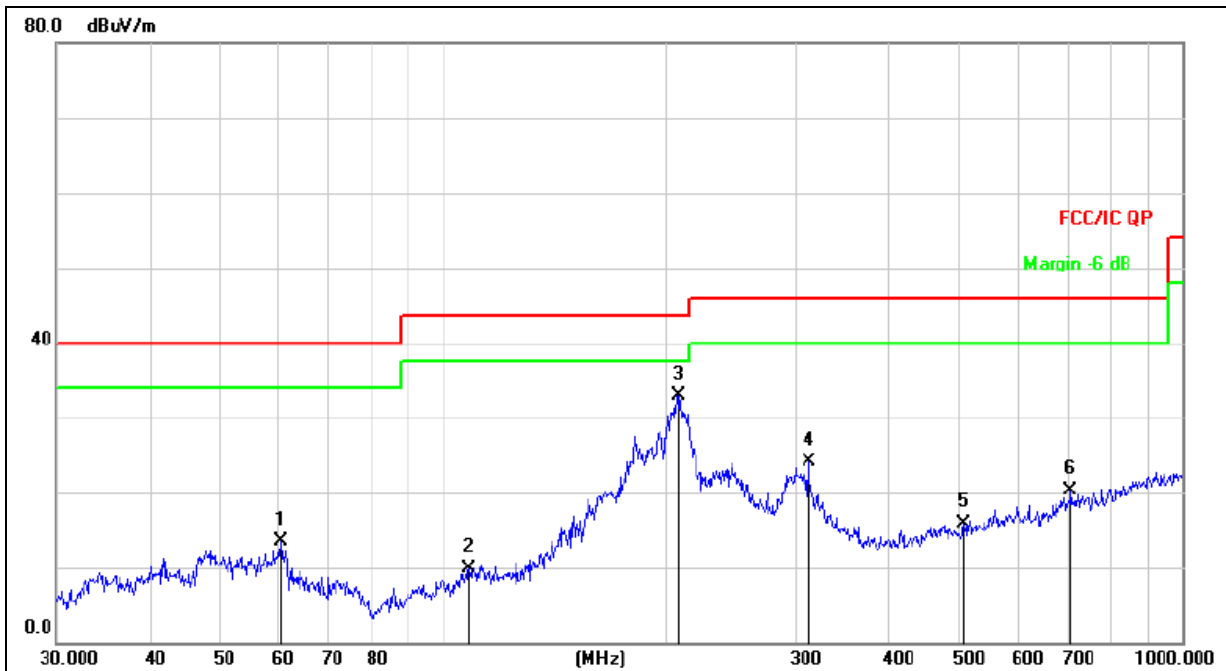
Factor = antenna factor + cable loss – pre-amplifier.

Margin = Emission Level- Limit.



30MHz-1GHz

EUT:	Light Up Speaker	Model Name :	MSL-W6011Q
Temperature:	26 °C	Relative Humidity:	54%
Pressure:	101kPa	Polarization :	Horizontal
Test Voltage :	AC120/60Hz		

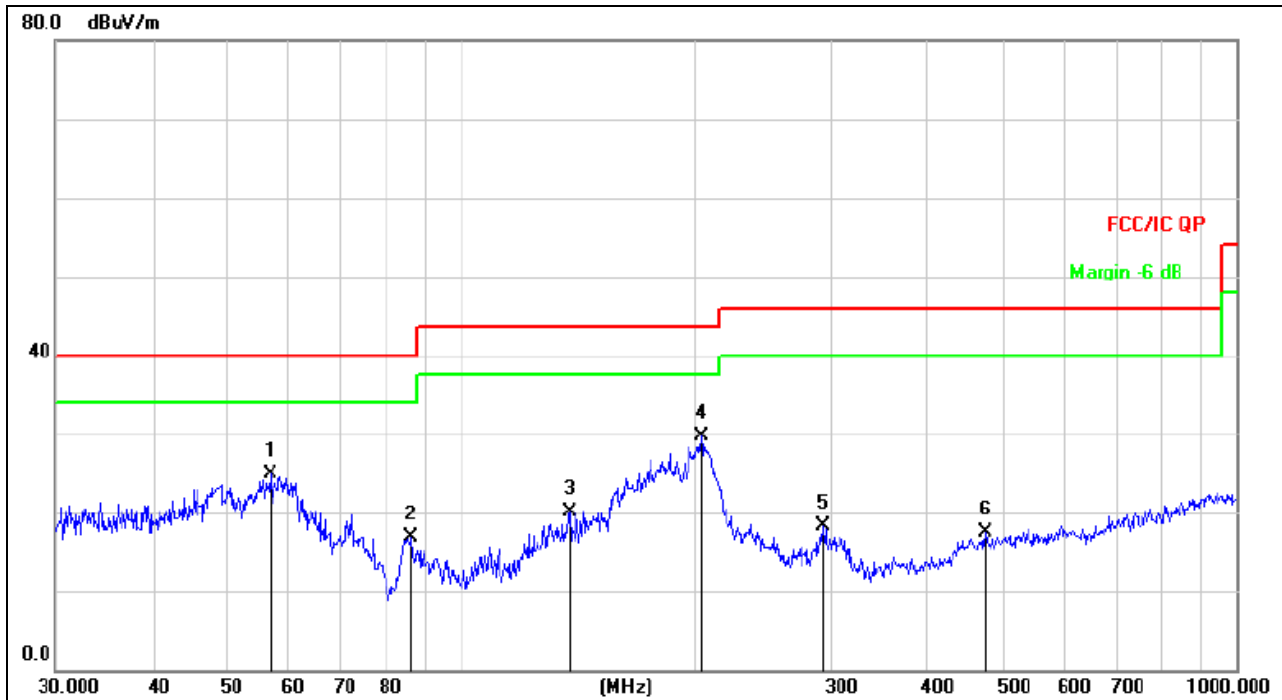


Remark:
Factor = Antenna Factor + Cable Loss – Pre-amplifier.

No.	Mk.	Freq.	Reading Level	Correct Factor	Measurement	Limit	Over	Detector
		MHz	dBuV	dB	dBuV/m	dB/m	dB	
1		60.2801	29.57	-15.97	13.60	40.00	-26.40	QP
2		108.2667	26.73	-16.81	9.92	43.50	-33.58	QP
3	*	208.5803	49.08	-16.10	32.98	43.50	-10.52	QP
4		312.1794	37.29	-13.27	24.02	46.00	-21.98	QP
5		506.4791	24.72	-8.78	15.94	46.00	-30.06	QP
6		706.6999	25.39	-5.03	20.36	46.00	-25.64	QP



EUT:	Light Up Speaker	Model Name :	MSL-W6011Q
Temperature:	26 °C	Relative Humidity:	54%
Pressure:	101kPa	Polarization :	Vertical
Test Voltage :	AC120/60Hz		



Remark:
Factor = Antenna Factor + Cable Loss – Pre-amplifier.

No.	Mk.	Freq. MHz	Reading Level dBuV	Correct Factor dB	Measure- ment dBuV/m	Limit dB/m	Over dB	Detector
1		56.7917	40.39	-15.57	24.82	40.00	-15.18	QP
2		86.2001	35.87	-18.98	16.89	40.00	-23.11	QP
3		137.9028	38.90	-18.72	20.18	43.50	-23.32	QP
4	*	204.2377	45.93	-16.20	29.73	43.50	-13.77	QP
5		293.0842	32.13	-13.81	18.32	46.00	-27.68	QP
6		473.8347	26.96	-9.48	17.48	46.00	-28.52	QP

Note: Pre-scan all modes, the worst case 9V mode data recording in this report.



7. BANDWIDTH TEST

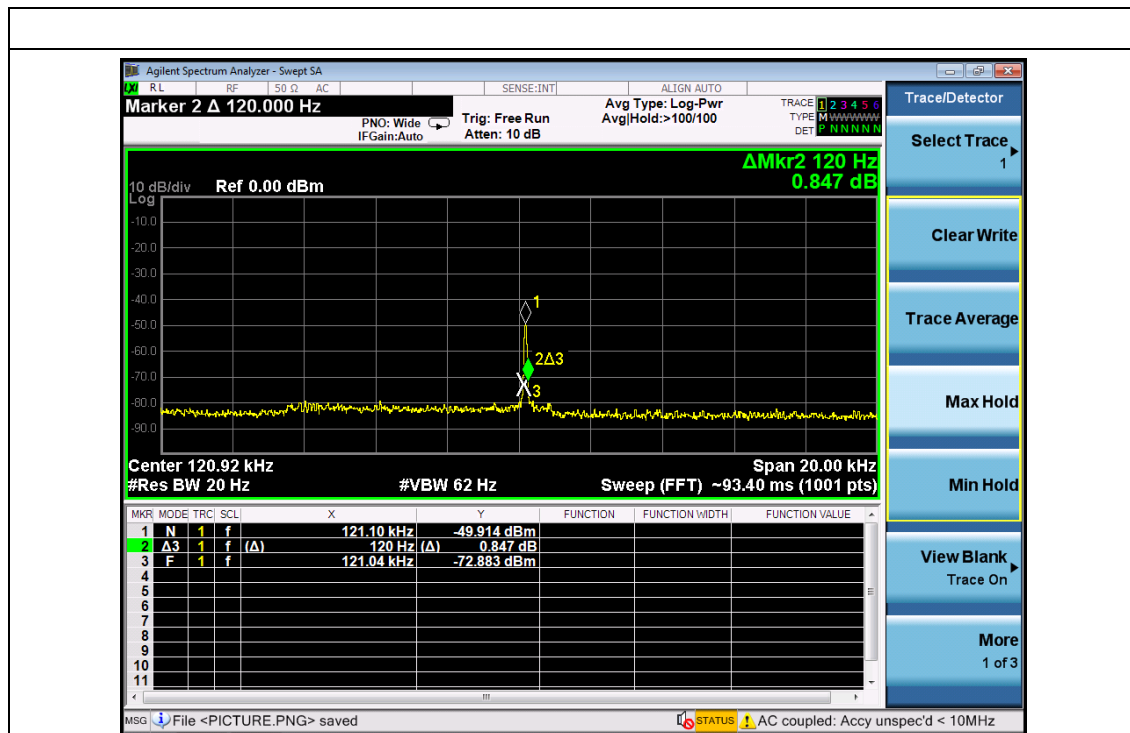
1. Set RBW = 20Hz.
2. Set the video bandwidth (VBW) $\geq 3 \times$ RBW.
3. Detector = Peak.
4. Trace mode = max hold.
5. Sweep = auto couple.
6. Allow the trace to stabilize.
7. Measure the maximum width of the emission that is constrained by the frequencies associated with the two outermost amplitude points (upper and lower frequencies) that are attenuated by 20 dB relative to the maximum level measured in the fundamental emission.

TEST SETUP



EUT:	Light Up Speaker	Model Name :	MSL-W6011Q
Temperature:	26 °C	Relative Humidity:	54%
Pressure:	101kPa		

Test voltage (V)	Frequency (KHz)	20dB bandwidth (Hz)	Result
5	120.92	120	Pass





8. EUT TEST PHOTOS

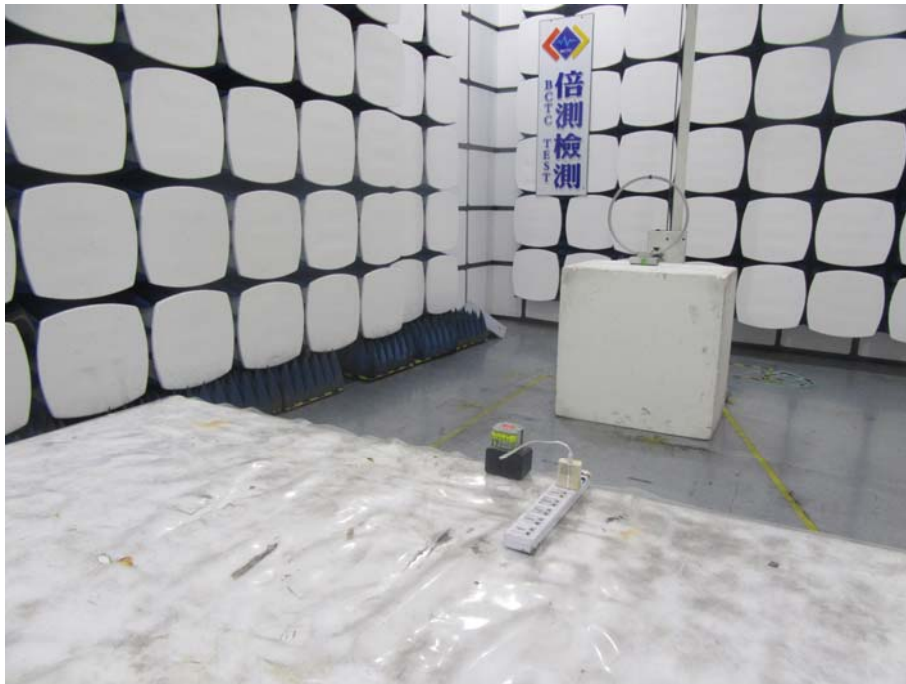
Conducted Measurement Photos



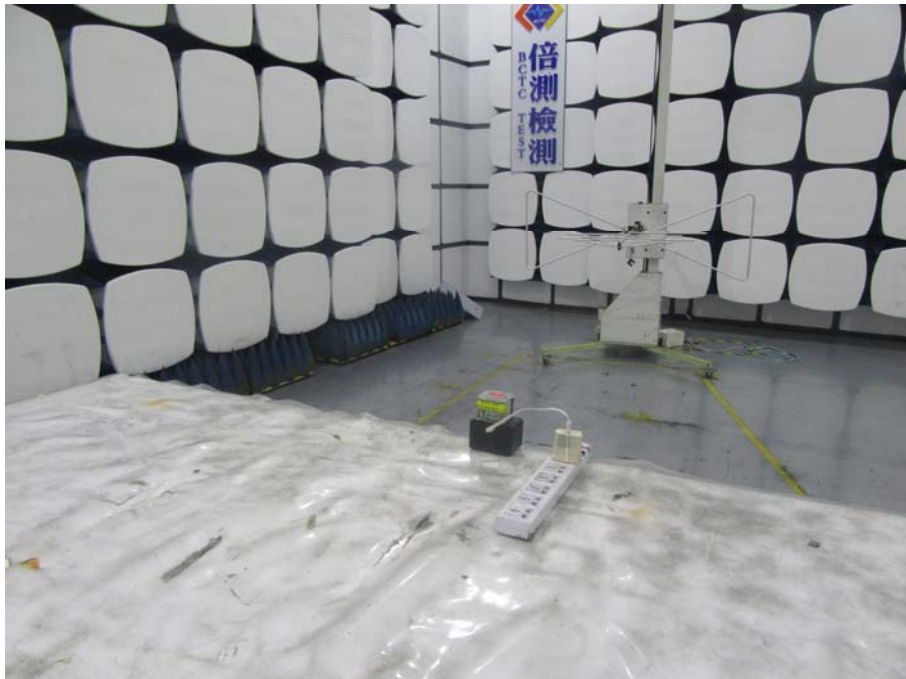


Radiated Measurement Photos

9KHz-30MHz



30MHz-1GHz



9. EUT PHOTOS



***** END OF REPORT *****