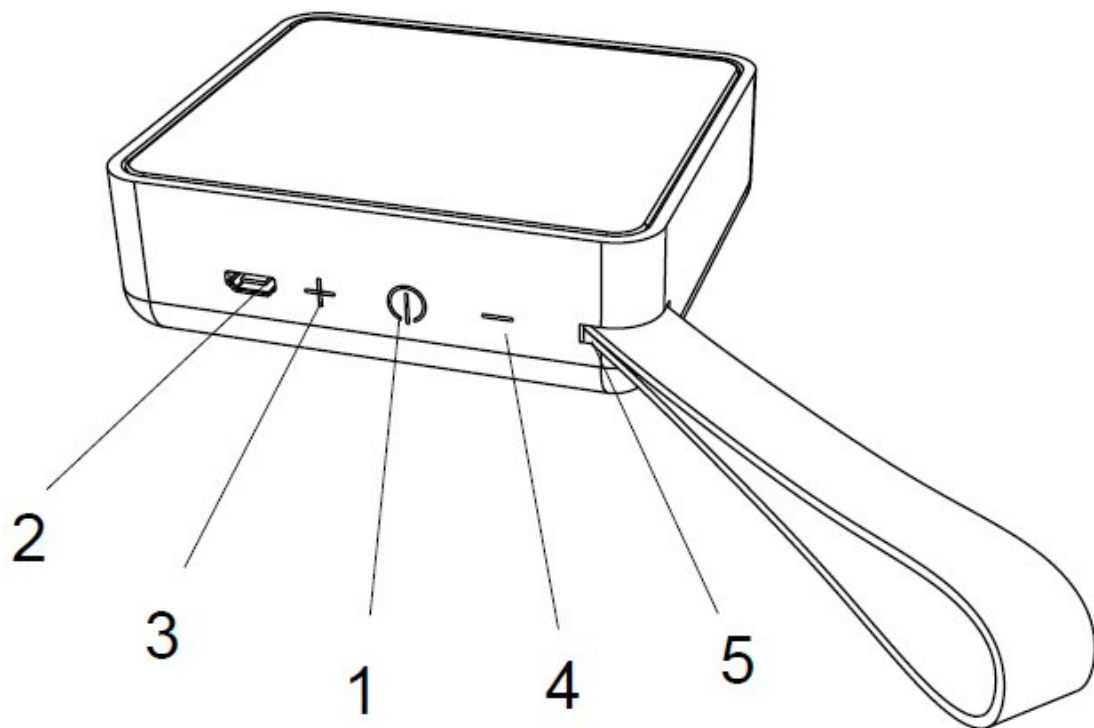


BLUETOOTH SPEAKER

XJ0810

Patent No.: 201721035100.3

Patent No.: 201730380868.3



BUTTON DESCRIPTION

1. ON/OFF: to touch and switch on or off the device.
2. IN: to charge the device by Micro USB.
3. Volume +: to turn up the volume.
4. Volume -: to turn down the volume.
5. Hole: to hang on articles such as backpack by a lanyard.

CHARGING INTEGRATED BATTERY

This Bluetooth speaker is powered by integrated rechargeable Lithium Polymer Battery.

Charge the battery as follows:

1. Insert the charging cable into the DC 5V socket on the unit. Connect the USB plug to a PC or AC/DC adapter. The LED indicator turns red when the battery is being charged.
2. When the battery is fully charged, the red LED indicator turns off.

PAIRING SPEAKER TO MOBILE PHONE OR OTHER DEVICE

1. Turn on the speaker and your mobile phone Bluetooth setting.
2. Search for Bluetooth devices: our speaker will show up as "MOSSL00-XJ0810".
3. Pair your device with speaker. The speaker has a voice prompt. When you switch off the mobile phone Bluetooth function, the speaker still has a different voice prompt.

NOTES & TIPS

Switch off the speaker when you disconnect the phone from the speaker.

TECHNICAL SPECIFICATIONS

Material: Wood + ABS + Fabric Bluetooth Compliant: V4.2+EDR

Bluetooth Range: ≤33 Feet Driver Unit: Φ40mm, 4Ω, 3W

S/N: ≥80dB THD: <0.5%

Frequency Range: 150Hz-20KHz

Input: DC5V 1A Output: 2.5W

Battery: 700mAh Lithium Polymer

Playback Time: 5 Hours Full Charge Time: 3 Hours

Dimensions: 80X72X25mm Weight: 150g

ACCESSORIES INCLUDED: 1 USB charging cable; 1 Lanyard; 1 Manual

Patent No.: 201721035100.3

Patent No.: 201730380868.3

SAFETY INSTRUCTIONS

Read this manual carefully before using our speaker and keep this manual for future reference.

Keep the device away from heat, direct sunlight and sharp edges.

Keep the device away from flames.

Do not insert any metal objects into the device in case of short circuiting.

To avoid electric shock, do not use the device in an extremely dry climate.

Do not repair the unit by yourself.

    **Made in China**

FCC Caution:

This device complies with part 15 of the FCC Rules. Operation is subject to the following two conditions: (1) This device may not cause harmful interference, and (2) this device must accept any interference received, including interference that may cause undesired operation.

Any Changes or modifications not expressly approved by the party responsible for compliance could void the user's authority to operate the equipment.

Note: This equipment has been tested and found to comply with the limits for a Class B digital device, pursuant to part 15 of the FCC Rules. These limits are designed to provide reasonable protection against harmful interference in a residential installation. This equipment generates uses and can radiate radio frequency energy and, if not installed and used in accordance with the instructions, may cause harmful interference to radio communications. However, there is no guarantee that interference will not occur in a particular installation. If this equipment does cause harmful interference to radio or television reception, which can be determined by turning the equipment off and on, the user is encouraged to try to correct the interference by one or more of the following measures:

- Reorient or relocate the receiving antenna.
- Increase the separation between the equipment and receiver.
- Connect the equipment into an outlet on a circuit different from that to which the receiver is connected.
- Consult the dealer or an experienced radio/TV technician for help.