

MP3 Player

USER MANUAL

CONTENTS

Box Contents

Controls & Functions

Navigation Settings

Music

Bluetooth

Recordings

Folder view

Wallpaper

Stopwatch

Calendar

Settings

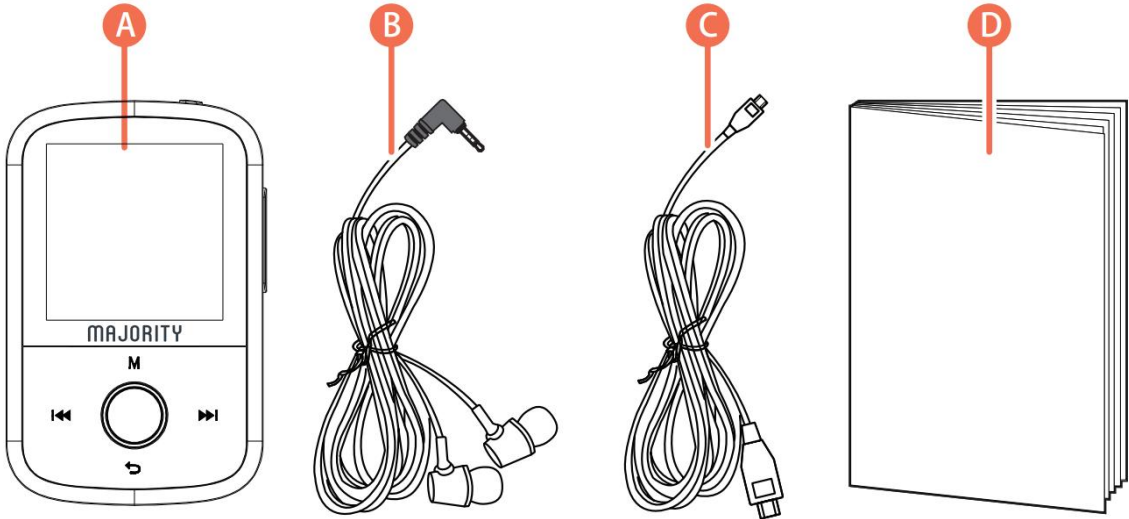
Specification

FCC warning

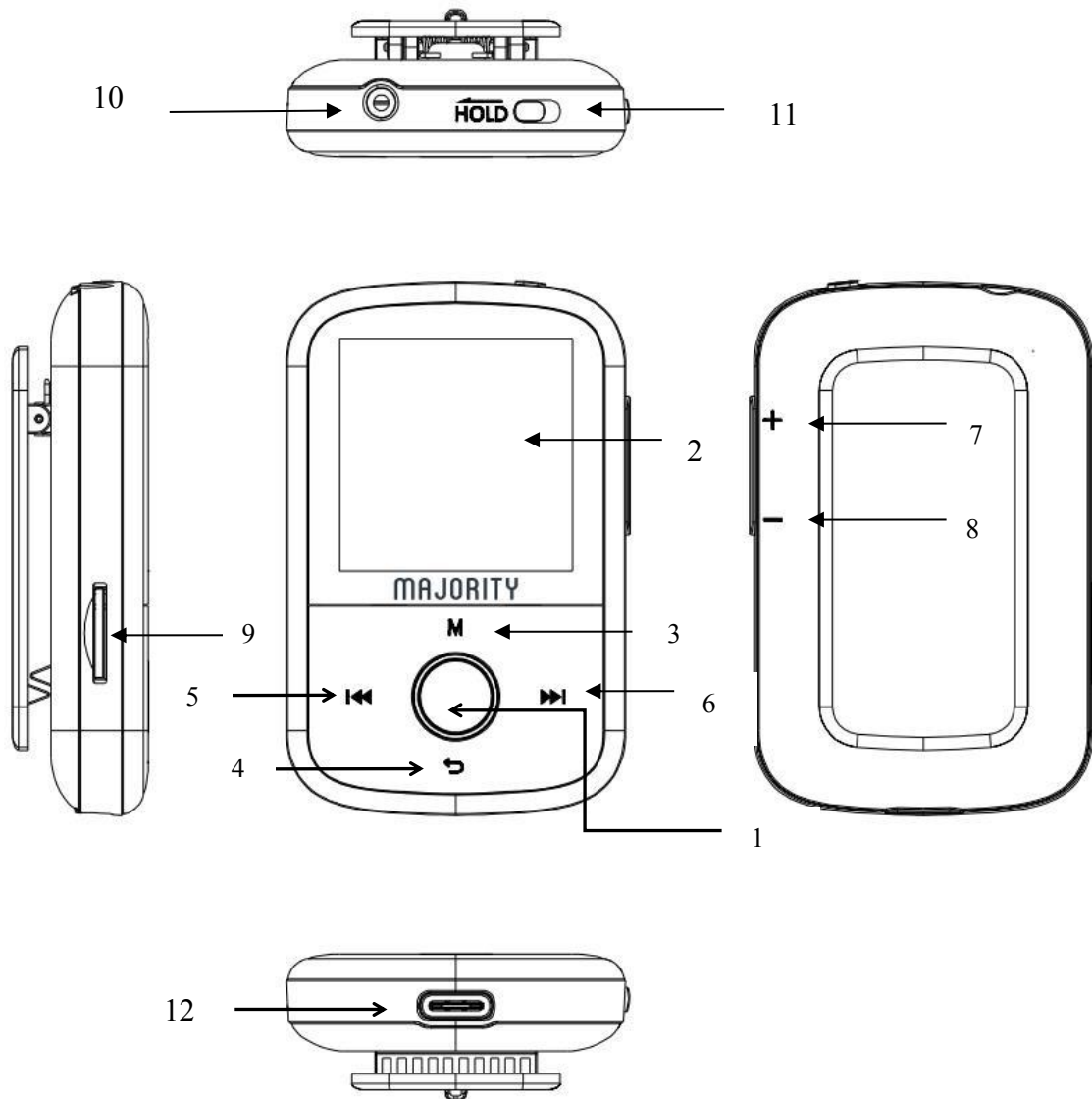
BOX CONTENTS

What in the Box.

- A. MP3 Player
- B. Earphones
- C. Type-C charging Port
- D. Instructions Guide



CONTROLS AND FUNCTIONS



- 1.Play/Pause/Power ON/OFF Button(Long press around for 2s)
- 2.1.54" IPS screen
- 3.Menu Button
- 4.Return
- 5.Previous menu / hold to fast backward
- 6.Next menu / hold to fast forward
7. Volume +
- 8.Volume -
- 9.Micro SD card slot
- 10.Earphone jack
- 11.Hold/Unlock
12. Type-c Charging slot

NAVIGATION SETTINGS

Power on/off

To switch on/off, press and hold for 2s the power button (**Ref.1**).

Basic Operation

Before you use the player, please be noted that every time after screen turn dark, please press POWER button to light up the device then do other operations.

Hold/Unhold

Avoid to press the buttons by mistake when no operation for player, you can toggle the hold button to the left to lock the screen . And toggle the hold button to the right to unlock the screen.

Charging

To charge the player, it is recommended that the device is switched off first. Insert the USB power supply cable into the Type-C charging slot (**Ref.12**). You can charge the player by connecting it to your computer, or alternatively you can connect it to the mains by using a USB power adapter (not included). When connected to your computer, you can choose between 'Charge & transfer' to charge and transfer files, or 'Charge & play' to charge the device while you are using it. When the battery indicator of the device shows a low battery life, charge the device. To fully charge the device, it is recommended to charge the device for no more than 4 hours.

File Transfer/How to add music

To transfer files (audio files) to the device, it is recommended that the device is switched off first.

1.

Connect the device to your computer using the Type-c Charging cable supplied in the box.

2.

Select 'Charge & transfer', and transfer your chosen files to the device. Wait until files are completely transferred before ejecting the device.

3.

Before disconnecting the USB, firstly ensure the device is safely ejected from the File Explorer options your desktop then unplug the cable. Alternatively, press the Main Menu button (**Ref.3**) to disconnect.

Compatible operating systems: Windows 7/8/8.1/10/XP/Vista/2001/Mac OS

MUSIC

Play your music/adding music

To play music, select 'Music' from the main menu. To do this, navigate to 'Music' on the main menu screen, then press the enter button (**Ref.1**). Select 'All songs' from the main menu

For how to add music, please see page 3.

Skip track

To skip to the previous/next track, press the Previous/Next button (Ref. 5, Ref. 6).

Fast forward/Rewind track

To rewind, press and hold down the 'Back' button (**Ref.5**). Release to resume.

To fast forward, press and hold the 'Next' button (**Ref.6**). Release to resume.

Create a playlist

To create a playlist, select 'Music' from the main menu

Method 1

1. Select 'Create playlist'. Wait for the device to load the available songs.
2. Scroll through the list of available songs. Select a song to add to a playlist by pressing the 'Enter' button when the song is selected (**Ref.1**). The song will begin to play. While the song is playing, press the 'Main Menu' button (**Ref.3**).
3. Select 'Add to playlist' from the menu options, then select the playlist you would like the song to be added to. The device will ask for confirmation. To add the song, select 'Yes'. To cancel, select 'No', or press the 'back' button (**Ref.4**). Repeat the above steps to add more songs.

Method 2

1. Play a song by selecting it from the list.
2. Press the 'Menu' button (**Ref.3**).
3. Select 'Add to playlist', then choose the playlist you would like the song to be added to.

Main menu options

All songs-select to view a list of all songs

Resume-select to continue to play the song

Artists-select to view music by artist

Albums-select to view music by album

Genres-select to view music by genre

Playlists-select to play a playlist

Create playlist-select to begin creating a playlist (up to 100 songs)

Repeat a song or Shuffle all songs

While playing a song, press the 'Menu' button (**Ref.3**). then 'Repeat'. Select your chosen play mode from the options. Select 'repeat 1' to repeat the song currently playing. Select 'Repeat all' to repeat the playlist currently playing.

While playing a song, press the 'Menu' button (**Ref.3**). then 'shuffle'. Select 'off' or ' On according to your requirement.

Song options

Repeat-repeat a song or playlist

Shuffle-choose shuffle off or on

Repeat settings-select Repeat Mode/Replay Interval/Replay times

Sound settings-select Variable Speed Playback/Volume limit/Equalizer

Add to playlist-add a song to a playlist.

Remove from playlist-remove the song currently playing from the playlist

Delete-delete a song from the device

Bookmarks-save a song 'bookmark' (save a song time, to start a song from that specific point). Once selected, the 'bookmark' will be available under the 'Go to bookmark' option.

View the lyrics of song

While playing a song, press and hold for 2s the 'Menu' button (**Ref.3**), you can view the lyrics of the song if uploaded the lyrics of song into the device already.

Bluetooth

Connect to a Bluetooth speaker

To connect the player to a Bluetooth speaker or sound output device, follow the steps below:

1. Select 'Bluetooth' from the main menu.
2. Select 'Bluetooth switch control' from the Bluetooth menu.
3. Select 'Bluetooth open' from the options using the Enter button (**Ref.1**).
4. Press 'Back' button (**Ref.4**) to exit.
5. Select ' Search for device', Wait for the player to search for and display a list of available

Bluetooth devices.

Select your device from the list, and wait for the connection to be established. You can now play music and other audio through your chosen sound output device

Options

Bluetooth switch control-switch Bluetooth on or off.

Search for device - search for available Bluetooth devices.

Device List - view a list of previously connected devices.

Recordings

Create a voice recording

1. To create a voice recording, follow these steps:
2. Select 'Start voice recording'
3. The device will begin to record by using the built-in microphone
4. Once you have finished your recording, press the 'Enter' button to pause/stop (Ref.1). Press the 'Back' button then select 'Yes' or 'No' to save or delete the recording.

Options

Start voice recording-select to begin a voice recording.

Record format -select to choose the format of your recordings (MP3 file or WAV file).

Record Settings-select to choose the recorder settings. Bitrate settings enable you to change the recording bitrate between 512, 768, 1024, and 1536kbps (Kilobits per second). VOX-mode refers to voice mode. When VOX mode is switched on, the device will only record when the microphone detects a voice, and pause when it does not detect a voice.

Recordings library-select to view a list of your recordings.

Folder view & Wallpaper & Stopwatch & Calendar

Folder view

View all files

Select 'Folder view' from the main menu to view a list of all files on the device (audio files). The device name will display on your computer as 'MajorityMP3'.

Wallpaper

Select 'wallpaper' from the main menu, press Enter button (**Ref.1**) to enter, and press Enter button (**Ref.1**) switch the wallpaper. (there are six wallpapers).

Stopwatch

1. Select 'stopwatch' from the main menu.
2. press Enter button (**Ref.1**) to enter
3. press Enter button (**Ref.1**) to start/pause
4. Press the 'Menu' button (**Ref.3**) reset the data.

Calendar

1. Select 'Calendar' from the main menu
2. press Enter button (**Ref.1**) to enter, can view the date
3. Press the 'Menu' button (**Ref.3**) to switch the year/month/day

Settings

To view and change the main device settings, select 'Settings' from the main menu.

Language - select to change the device language. Choose from a list of 30 languages.

Display settings - select to change the screen brightness, Backlight timer and screensaver

Sleep timer - select to choose the Sleep timer and Auto Turn Off settings.

Power Off Timer - select to choose no action and Auto Turn Off settings.

Date and time - select Time settings and Date settings

Information - select to view information on the Firmware and remaining Disk space of the device.

Factory settings - select to restore the device to factory settings.

Format device - select to format the device and delete all data and files.

Forced Reset:

If the MP3 player stops responding, perform a forced reset. To force a hard reset, please insert a pin or paper clip end into the reset hole. The reset hole is located in the side of the unit next to the volume button.

SPECIFICATION

Screen	1.54 inch 240*240 IPS screen
Flash Memory	16GB
Bluetooth Version	Bluetooth 5.0
Recording Format	MP3 Rec/ WAV Rec
Battery	Li-polymer rechargeable 300mAh
Micro-SD card	Compatible with SD cards up to 128GB
Charging time	3 hours

FCC Caution.

This device complies with part 15 of the FCC Rules. Operation is subject to the following two conditions: (1) This device may not cause harmful interference, and (2) this device must accept any interference received, including interference that may cause undesired operation.

Any Changes or modifications not expressly approved by the party responsible for compliance could void the user's authority to operate the equipment.

Note: This equipment has been tested and found to comply with the limits for a Class B digital device, pursuant to part 15 of the FCC Rules. These limits are designed to provide reasonable protection against harmful interference in a residential installation. This equipment generates uses and can radiate radio frequency energy and, if not installed and used in accordance with the instructions, may cause harmful interference to radio communications. However, there is no guarantee that interference will not occur in a particular installation. If this equipment does cause harmful interference to radio or television reception, which can be determined by turning the equipment off and on, the user is encouraged to try to correct the interference by one or more of the following measures:

- Reorient or relocate the receiving antenna.
- Increase the separation between the equipment and receiver.
- Connect the equipment into an outlet on a circuit different from that to which the receiver is connected.
- Consult the dealer or an experienced radio/TV technician for help.

***RF warning for Portable device:**

The device has been evaluated to meet general RF exposure requirement. The device can be used in portable exposure condition without restriction.

