

SOUNDLOGIC™

wireless speaker

YTK-318



**INSTRUCTION MANUAL
PLEASE READ ALL INSTRUCTIONS CAREFULLY
AND RETAIN FOR FUTURE USE**

Getting Started

- Remove the speaker from the box.
- Remove any packaging from the product.
- Please retain all packaging until you have checked and counted all the parts and the contents against the parts list.

Package Contents

- Bluetooth Speaker
- AUX/USB rechargeable cable
- Instruction Manual

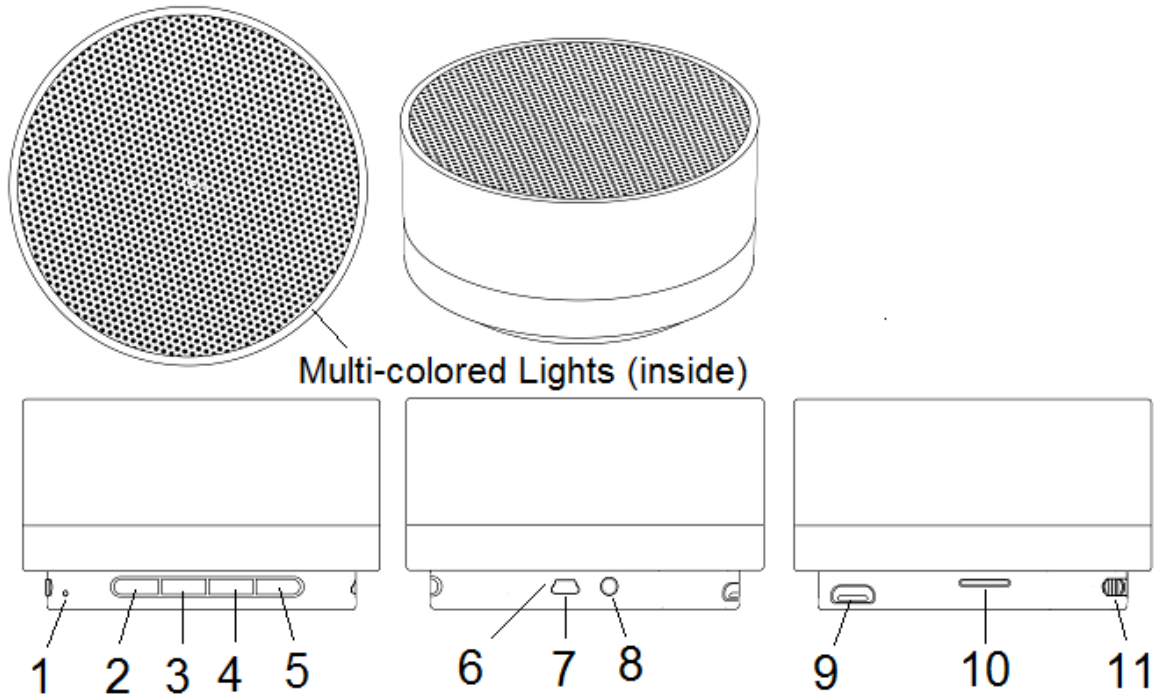
Key Features

- Chromatic Wireless Portable Speaker – speaker color changing LED lights
- Built-in Multi-colored LED flashing lights
- Built-in rechargeable battery
- Stream music wirelessly
- Crisp and loud sound
- USB rechargeable cable for recharge included
- Perfect for at home or on the road
- Built-in FM radio & Aux jack
- Built-in Micro SD (TF) card & USB slot
- Built-in Mic for hands-free calls

IMPORTANT SAFETY INSTRUCTIONS

- Read these instructions.
- Keep these instructions.
- Heed all warnings.
- Follow all instructions.
- Do not use this apparatus near water.
- Clean only with dry cloth.
- Do not block any ventilation openings. Install in accordance with the manufacturer's instructions.
- Do not install near any heat sources such as radiators, heat registers, stoves, or other apparatus (including amplifiers) that produce heat.
- Protect the power cord from being walked on or pinched particularly at plugs, convenience receptacles, and the point where they exit from the apparatus.
- Only use attachments/accessories specified by the manufacturer.
- Use only with the cart, stand, tripod, bracket, or table specified by the manufacturer, or sold with the apparatus. When a cart is used, use caution when moving the cart/apparatus combination to avoid injury from tip-over.
- Unplug this apparatus during lightning storms or when unused for long periods of time.
- Refer all servicing to qualified service personnel. Servicing is required when the apparatus has been damaged in any way, such as power-supply cord or plug is damaged, liquid has been spilled or objects have fallen into the apparatus, the apparatus has been exposed to rain or moisture, does not operate normally, or has been dropped.

Description of Parts



1	Built-in Microphone
2	Mode Button
3	Skip Backward / Volume Decrease
4	Play / Pause / Phone Button
5	Skip Forward / Volume Increase
6	LED Charging Indicator (inside)
7	Aux/Charging Port
8	Earphone Jack
9	USB Card Slot
10	Micro SD (TF) Card Slot
11	ON/OFF Switch

INSTRUCTIONS FOR USE

Charging the speaker

The speaker has built-in rechargeable battery. When the battery is drained out, device would turn OFF automatically. Please recharge the battery every time it drains out.

Plug the Mini USB end of the included AUX/USB rechargeable cable into the charging port. Plug the other end into a USB port on your computer or other devices made for USB charging. Red LED Light illuminates indicating that the device is being charged.

It takes around 3 hours to fully charge the device. Never recharge the unit for more than 3 hours.

Turning ON/OFF the Speaker –

Before Turning ON the device, please ensure that the unit is fully charged.

To Turn ON the device – Slide the ON/OFF Switch to “ON” position.

To Turn OFF the device – Slide the ON/OFF Switch to “OFF” position.

Connect using Bluetooth Technology

- Turn On the Speaker. You would hear an indication tone, and Multi-colored Lights inside would flash, indicating that you are now in Bluetooth Pairing Mode.
- Activate the Bluetooth function on your source device (Mobile Phone or Tablet). Please refer to manufacturer’s instructions for instructions on enabling Bluetooth on your device.
- Search for available Bluetooth devices and you would find “**Chromatic Spkr**” – Pair it with this device.
- If required, enter the password “0000” to pair with the device.
- Once paired successfully, you will hear another indication tone.
- You can now stream wireless music on your speaker through your source device.

Talking using the Bluetooth Speaker

Please ensure that you are paired with the Bluetooth Speaker to use the below functions.

Function	Operation	Button
Answer Incoming Call	Incoming Call	Press the Phone once to answer an incoming call.
Reject incoming call	Incoming Call	Short press the Phone button twice
End Call	Incoming Call	After your phone conversation, short press the Phone button
Increase Volume	During a call	Press and hold the Volume Increase button to increase the volume
Decrease Volume	During a call	Press and hold the Volume Decrease button to decrease the volume
Redial last number	Standby mode and connected to a device	Short press the Phone button twice

Listening to Music Wirelessly

Please ensure that your device (iPhone, Tablet or Other Smart Phone) is paired with the Bluetooth Speaker to stream music wirelessly. Once it is paired, play music from your device.

Function	Operation	Button
Increase Volume	Playing music	Press and hold the Volume Increase button to increase the volume
Decrease Volume	Playing music	Press and hold the Volume Decrease button to decrease the volume
Pause	Playing music	Short press the Play / Pause button will pause the music
Play	Pausing	Short press the Play / Pause button will resume the music

Previous track	Playing music	Short press the Skip Backward button will return you to the previous track
Next track	Playing music	Short press the Skip Forward button will take you to the next track

(Note: The above functions only can be used in Bluetooth mode only. An indication tone will alert you when the volume is adjusted to the maximum level. In Aux mode, besides the volume increase/decrease, you will need to control through your source device.)

Stream music from Micro SD (TF) Card or USB Drive –

- Turn ON the device.
- Insert the Micro SD (TF) Card or USB Drive preloaded with songs, into the Micro SD (TF) Card Slot or USB Card Slot of the speaker respectively.
- Speaker would automatically start playing songs from the Micro SD (TF) Card or USB Drive
- To Skip Track Forward – Short press the **Skip Forward** button.
- To Skip Track Backwards – Short press the **Skip Backward** button.
- To Pause the Track – Short press the **Play / Pause** button.
- To Play the Track – Short press the **Play / Pause** button.
- Long press **Volume Increase** button to increase the volume or **Volume Decrease** button to decrease the volume.

Listening to FM radio

- Turn ON the device.
- Insert the Mini USB end of the included AUX/USB rechargeable cable into the charging port, and leave the other end of the cable open. AUX/USB rechargeable cable serves as FM Antenna while in FM Radio mode.
- To AUTO-SCAN the stations, press the **Play / Pause** button once.
- It will take few minutes to search all stations, and store them in memory.
- You can press **Skip Backward** or **Skip Forward** button each time to skip selected station.
- Long press **Volume Increase** button to increase the volume or **Volume Decrease** button to decrease the volume.

Play music through “Auxiliary” mode

- Turn ON the device.
- Insert the Mini USB end of the included AUX/USB rechargeable cable into the aux port. Plug the Aux pin to the audio device (such as phone / MP3 Player / computer / tablet /etc.).
- Select your favourite song at the source device to play.
- Press the Mode button each time until it reaches Aux mode.
- Long press **Volume Increase** button to increase the volume or **Volume Decrease** button to decrease the volume.

Note: Media can be controlled only through source devices, while playing music in Auxiliary mode.

Tips!!

1. Press the “Mode button” to switch different functions of the speaker between – Bluetooth / USB-Micro SD (TF) / FM radio / AUX-In.
2. When the unit is not in use, turn OFF the device to save the battery power.

Specifications –

Bluetooth® Version: 4.2+EDR

Wireless Streaming Range Distance: 26 to 33 Feet

Speaker: 3 Watts

Size: 2.75 (L) x 2.75 (W) x 1.94 (H) INCHES

Weight: 5.2 oz approx.

Power Input: DC 5V

Charging Time: Up to 3 Hours

Play time: Up to 3 hours (moderate volume)

Built-In Rechargeable Battery: 3.7V / 300mAh

(Note: Battery life & charging time may vary based on usage & types of devices used.)

Troubleshooting

Problem	Possible Cause	Solution
Low sound level	Source (Tablet, Mobile Phone, Laptop, etc.) volume too low.	Adjust source volume.
	Battery dead	Charge Battery.
Sound distorted	Battery nearly dead	Charge Battery.
No sound at all.	Source (Tablet, Mobile Phone, Laptop.) turned off.	Turn the source on.
	Speaker turned off.	Turn the speaker on.
	Volume turned down source.	Adjust volume source.
	Media paused on source.	Play media from source.

Care and maintenance

Read the following recommendations before using the Bluetooth Speaker. Following these you will be able to enjoy the product for many years.

- Do not expose the unit to liquid, moisture or humidity to avoid the product's internal circuit being affected.
- Don't use abrasive cleaning solvents to clean the unit.
- Do not expose the unit to extremely high or low temperature as this will shorten the life of electronic devices, destroy the battery or distort certain plastic parts.
- Don't dispose of the unit in fire as it will result in an explosion.
- Don't expose the unit to contact with sharp objects as this will cause scratches and damage.
- Don't let the unit fall down onto the floor. The internal circuit might get damaged.
- Don't attempt to disassemble the unit as it may get damaged if you are not professional.

FCC Instructions

Changes or modifications not expressly approved by the party responsible for compliance could void the user's authority to operate the product.

This device complies with part 15 of the FCC Rules. Operation is subject to the following two conditions:

(1) This device may not cause harmful interference, and (2) this device must accept any interference received, including interference that may cause undesired operation.

NOTE: This product has been tested and found to comply with the limits for a Class B digital device, pursuant to Part 15 of the FCC Rules. These limits are designed to provide reasonable protection against harmful interference in a residential installation. This product generates, uses and can radiate radio frequency energy and, if not installed and used in accordance with the instructions, may cause harmful interference to radio communications. However, there is no guarantee that interference will not occur in a particular installation. If the product does cause harmful interference to radio or television reception, which can be determined by turning the equipment off and on, the user is encouraged to try to correct the interference by one or more of the following measures :

- Reorient or relocate the receiving antenna.
- Increase the separation between the product and receiver.
- Connect the product into an outlet on a circuit different from that to which the receiver is connected.
- Consult the dealer or an experienced radio/TV technician for help.

Limited Warranty

This manufacturer's product warranty extends to the original consumer purchaser of the product. Neither the retailer nor any other company involved in the sale or promotion of this product is a co-warrantor of this manufacturer warranty.

WARRANTY DURATION: All materials and workmanship are warranted to the original consumer purchaser for a period of ninety (90) days from the original purchase date.

WARRANTY COVERAGE: This product is warranted against defective materials or workmanship. This warranty is void if the product has been damaged by accident, in shipment, unreasonable use, misuse, neglect, improper service, commercial use, repairs by unauthorized personnel or other causes not arising out of defects in materials or workmanship. This warranty is effective only if the product is purchased and operated in USA, and does not extend to any units which have been used in violation of written instructions furnished by manufacturer or to units which have been altered or modified or, to damaged products or parts thereof which have had the serial number removed, altered, defaced or rendered illegible.

WARRANTY DISCLAIMERS: This warranty is in lieu of all warranties expressed or implied and no representative or person is authorized to assume for manufacturer any other liability in connection with the sale of our products. There shall be no claims for defects or failure under any theory of tort, contractor commercial law including but not limited to, negligence, gross negligence, strict liability, breach of warranty and breach of contract. Under no circumstances will Manufacturer's / Distributor's maximum liability exceed the retail value of the product.

WARRANTY PERFORMANCE: During the above 90 day warranty period, a product with a defect will be either repaired or replaced with a reconditioned comparable model (at manufacturer's option). The repaired or replacement product will be in warranty for the balance of the 90 day warranty period and an additional one-month period. No charge will be applicable for such repair or replacement.

SERVICE AND REPAIR: If service is required for this product, you should first contact Midwest Trading Group Customer Service at info@mtradinggroup.com or by calling 1 (866) 815-4714, Monday to Friday 10am to 6pm EST.

NOTE: Manufacturer cannot assume responsibility for loss or damage during incoming shipment. As a precautionary measure, carefully package the product for shipment, and insure it with the carrier. Be sure to enclose the following details with the product: your full name, return address and daytime phone number, a note describing the problem you experienced, a copy of your sales receipt or other proof of purchase to determine warranty status. C.O.D. shipments cannot be accepted.