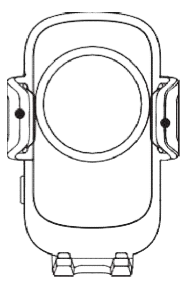


Welcome Guide

Wireless Car Charger Mount



Contents / 目次 / Inhalt

Specifications	01
Compatibility	02
Suitability	03
Overview	04
Installation Steps	05
Adjust the Adjustable Feet	07
Power On	08
LED Indicator Instruction	09
Using Steps	10
FAQs	11
Attentions	12
製品仕様	14
交換性	15
適合性	16
製品概要	17
組付説明	18
ブックレットを調整して、コイルに合わせます	20
電源を入れます	21
LEDの状態	22
よくある質問	23
注意事項	24

DE

Spezifikationen	26
Kompatibilität	27
Anpassungsfähigkeit	28
Produktübersicht	29
Installationschritte	30
Einstellung der Haltefüße	32
Einschalten	33
Status-LED	34
Schritte zur Nutzung	35
Häufig gestellte Fragen	36
Achtung	37



Made in China

EN

Specification

Product Name	Wireless Car Charger Mount
Model	CTEZ100
Input	5V=2A / 9V=2A / 12V=1.5A
Output	5W/7.5W/10W
Charging Distance	≈(4-6)mm
Working Temperature	32°F~95°F (0°C~35°C)
Applicable Place	Air Vent
Applicable Model	Compatible with iPhone, Samsung, etc. (4.5-6.7 inches phone)
Package List	Wireless Car Charger Mount *1, Charging Cable *1, Air Vent Clip *1, Welcome Guide*1

The parameters above are derived from the laboratory of ANDOBIL. The actual parameters would be different because of products and other factors. The image shown here is indicative only.

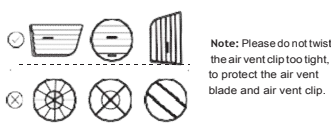
Compatibility

Please note: Please ensure your phone is compatible with Qi wireless charging before using this wireless car charger mount. Please use the QC 3.0 car charger to connect the wireless car charger mount.

Smartphone	Car Charger	Output Power
Qi-Compatible Phones	5V 2A	5W
iPhone 12 mini, 12, 12 Pro, 12 Pro Max, SE (2nd Generation), iPhone 11, 11 Pro, 11 Pro Max, iPhone Xs, Xs Max, X, iPhone 8 Plus, 8, etc.	9V 2A 12V 1.5A Quick Charge 3.0	7.5W
Samsung Galaxy S20 Ultra 5G, S20 5G, S20 FE 5G, S10+, S10e, S10, S9+, S9, S8+, S8, S7 Edge, S7, Note 20 Ultra 5G, Note 20 5G, Note 10+, Note 10, Note 9, Note 8, etc.	9V 2A 12V 1.5A Quick Charge 3.0	10W

Suitability

The suitability of Car Air Vent. The air vent clip could be compatible with horizontal and vertical air vent outlets. But it cannot support non-intensive, circular or special-shaped air vent outlets.

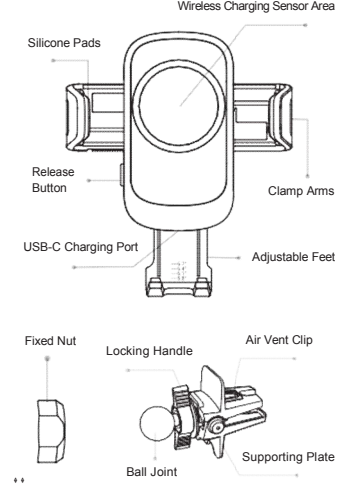


The Suitability of Phone Cases

Not compatible with:
a. Any foreign object between your smartphone and this car mount, such as metal, credit cards, door keys, coins, magnet, or NFC cards.
b. Phone cases may affect wireless charging, such as ultra-thin (< 6mm/0.23 inch) phone case or a case with a bumpy surface, stand.
c. PopSockets, ring holder etc.

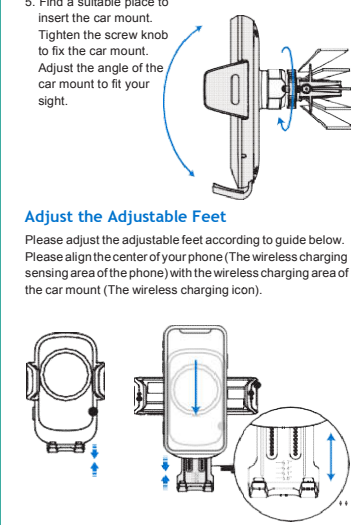
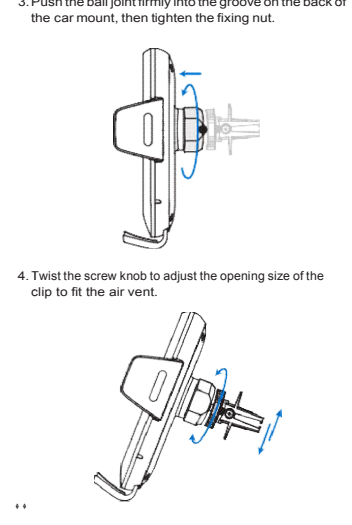
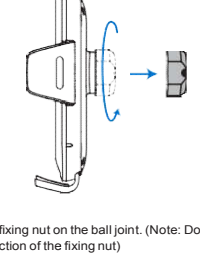


Overview



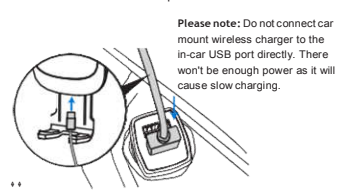
Installation Steps

1. Unscrew the fixing nut from the car mount.
2. Put the fixing nut on the ball joint. (Note: Don't change the direction of the fixing nut)
3. Push the ball joint firmly into the groove on the back of the car mount, then tighten the fixing nut.
4. Twist the screw knob to adjust the opening size of the clip to fit the air vent.



Scale	Phone Model
5.8"	iPhone 12 mini/11 Pro/Xs/SE(2nd Generation), Galaxy S10e etc.
6.1"	iPhone 12/12 Pro/11 Pro, Galaxy S20 5G/S10/S9/S8, Galaxy Note10 etc.
6.4"	iPhone 11 Pro Max/Xs Max/8 Plus, Galaxy S20 FE 5G/S10+/S9+/S8+ etc.
6.7"	iPhone 12 Pro Max, Galaxy S20 Ultra 5G/S20+5G, Galaxy Note20 5G/Note20 Ultra 5G/Note10+ 5G/Note8/Note9 etc.

Power On
Please use original power cable supplied to connect the car mount to the QC 3.0 car adapter.



LED Indicator Instruction

Charging Status	LED Indicator Display
Power on	The blue indicator flashes
Standby	The blue indicator flashes
Charging	The blue indicator on
Foreign Object Detector	The red indicator flashes

Using Steps

1. Pressing the release button, the clamp arms will automatically pop open.
2. Place your phone into the holder and press the clamp arms towards each other, then you can lock the phone and start wireless charging.

FAQs

1. No charging or slow charging
Please check the status of the LED light, the blue light indicates charging and the red light indicates low power.
Adjust the bottom adjustment according to the manual guide, this ensures that the center of the phone is aligned with the charging area.
For 10W, 7.5W fast charging you must use with the QC 3.0 car adapter. Do not connect directly onto the in-car USB port.
Check if the mobile phone contains any gold or other metals. Do not use or place gold metal rings, gold metal plates, credit cards, PopSockets on the back of the phone when charging.
Ensure your phone case is thinner than 4mm, otherwise the phone will not be able to wireless charge.
The charging speed will be slow if the temperature is too high. Turn off navigation and other unused apps whilst also lowering the temperature of the car with the air conditioner.
Please use the original power cable supplied with the car mount, this will ensure fast and safe charging.
2. Ventilation and air vent fitting
It is only suitable for horizontal and vertical air vent. For more details please refer to "Suitability - The Suitability of Car Air Vent".

3. Phone case fitting

It is suitable for phone cases with thinner than 4mm. Please do not use phone case with metal, credit card, back-clip battery, metal rings, metal stickers, PopSockets or phone cases with mounts (such as UAQ) etc. For more details please refer to "Suitability - The Suitability of Phone Cases".

4. Working temperature

The perfect temperature will be 32°F~95°F (0°C~35°C). The mount cannot function properly when the temperature is too high or too low.

Attentions

1. Avoid dropping.
2. Do not disassemble.
3. Please install the car mount on a suitable place before driving, do not operate or adjust the car mount during driving.
4. Do not install the car mount in places where it might interfere with airbag ordering.
5. Keep the car mount away from children.

FCC ID

This device complies with part 15 and part 18 of the FCC Rules. Operation is subject to the following two conditions: (1) This device may not cause harmful interference, and (2) this device must accept any interference received, including interference that may cause undesired operation. Changes or modifications not explicitly approved by the party responsible for compliance could void the user's authority to operate the equipment. Note: This equipment has been tested and found to comply with the limits for a Class B digital device, pursuant to part 15 and part 18 of the FCC Rules. These limits are designed to provide reasonable protection against harmful interference in a residential installation. This equipment generates, uses and can radiate radio frequency energy and, if not installed and used in accordance with the instructions, may cause harmful interference to radio communications. However, there is no guarantee that interference will not occur in a particular installation. If this equipment does cause harmful interference to radio or television reception, which can be determined by turning the equipment off and on, the user is encouraged to try to correct the interference by one or more of the following measures: Reorient or relocate the receiving antenna. Increase the separation between the equipment and receiver. Connect the equipment into an outlet on a circuit different from that to which the receiver is connected. Consult the dealer or an experienced radio/TV technician for help. The equipment complies with FCC radiation exposure limits set forth for an uncontrolled environment. During the operation of device a distance of 15 cm surrounding the device and 20 cm above the top surface of the device must be respected. This device complies with Part 18 of the FCC Rules. This equipment generates uses and can radiate radio frequency energy and, if not installed and used in accordance with the instructions, may cause harmful interference to radio communications. If this equipment does cause harmful interference to radio or television reception, which can be determined by turning the equipment off and on, the user is encouraged to try to correct the interference by one or more of the following measures: Reorient or relocate the receiving antenna. Increase the separation between the equipment and receiver. Connect the equipment into an outlet on a circuit different from that to which the receiver is connected. Consult the dealer or an experienced radio/TV technician for help. The equipment complies with FCC radiation exposure limits set forth for an uncontrolled environment. During the operation of device a distance of 15 cm surrounding the device and 20 cm above the top surface of the device must be respected. This device complies with Part 18 of the FCC Rules. This equipment generates uses and can radiate radio frequency energy and, if not installed and used in accordance with the instructions, may cause harmful interference to radio communications. If this equipment does cause harmful interference to radio or television reception, which can be determined by turning the equipment off and on, the user is encouraged to try to correct the interference by one or more of the following measures: Reorient or relocate the receiving antenna. Increase the separation between the equipment and receiver. Connect the equipment into an outlet on a circuit different from that to which the receiver is connected.

製品仕様

品名	ワイヤレス充電車載ホルダー
型番	CTEZ100
入力	5V 2A / 9V 2A / 12V 1.5A
出力	5W / 7.5W / 10W
充電距離	約(4-6)mm
作業温度	32°F~95°F (0°C~35°C)
適用場所	エアベント
適用機種	iPhone, Samsungなどワイヤレス充電対応機種に適用します。(Qi対応スマートフォン)
セット内容	ワイヤレス充電車載ホルダー×1, 充電ケーブル×1, エアベントクリップ×1, 取扱説明書×1

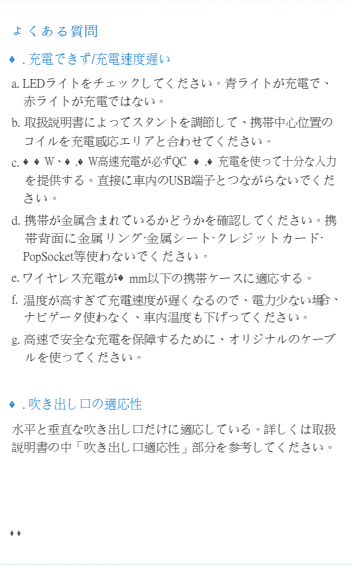
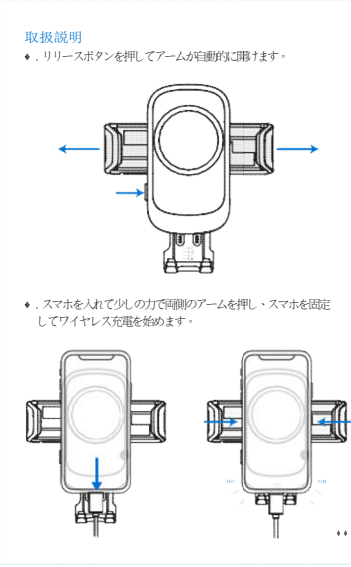
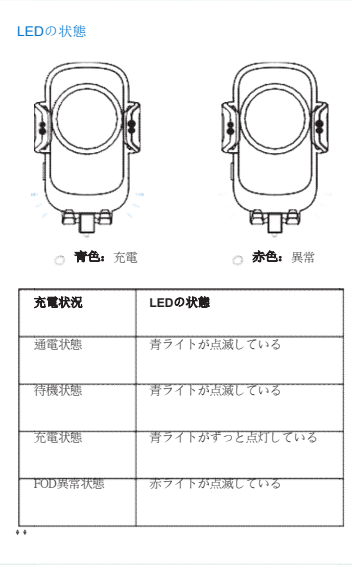
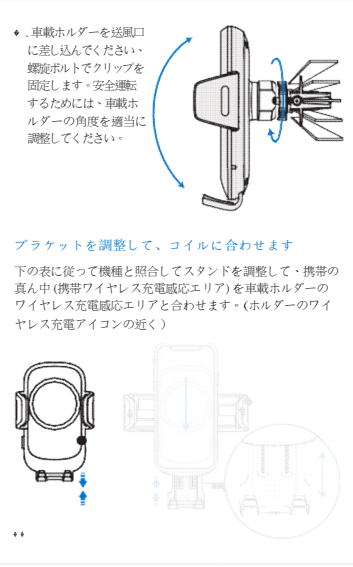
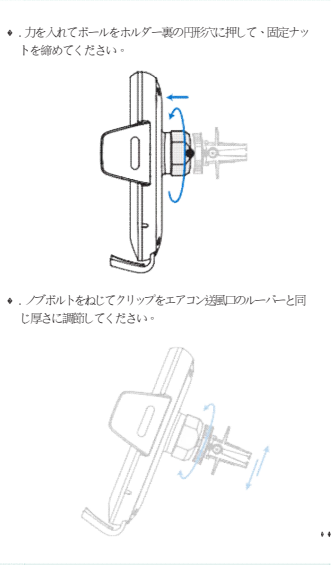
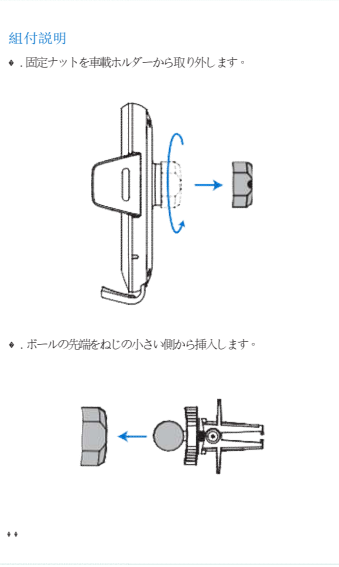
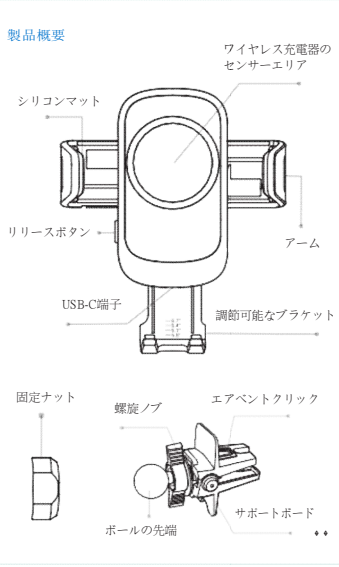
上記のパラメータはANDOBILの提供値のものです。実際のパラメータは、製品の個々の差によって異なる場合があります。写真は参考用ですので、実際の製品を基準にします。

交換性

Qi-Compatible Phones	車載充電器	出力
iPhone 12 mini, 12, 12 Pro, 12 Pro Max, SE (2nd Generation), iPhone 11, 11 Pro, 11 Pro Max, iPhone Xs, Xs Max, X, iPhone 8 Plus, 8, etc.	9V 2A 12V 1.5A Quick Charge 3.0	7.5W
Samsung Galaxy S20 Ultra 5G, S20 5G, S20 FE 5G, S10+, S10e, S10, S9+, S9, S8+, S8, S7 Edge, S7, Note 20 Ultra 5G, Note 20 5G, Note 10+, Note 10, Note 9, Note 8, etc.	9V 2A 12V 1.5A Quick Charge 3.0	10W

適合性

- 吹き出し口の適応性
ブックレットが横置きまたは縦置きに使用できますが、非常に薄い、円形または特殊な吹き出し口には対応しません。
- 携帯電話の適合性
スマートフォンがホルダーの真ん中に入っている場合です。例えば、金属リングホルダー、鍵ホルダー、磁気カバーは対応しません。スマートフォンがワイヤレス充電に影響が出る可能性があります。また、薄すぎるスマートフォン（例：Galaxy S10e）または背面に凸のあるスマートフォン（例：PopSockets）は対応しません。
- 充電ケーブルの長さ
スマートフォンがホルダーの真ん中に入っている場合です。例えば、金属リングホルダー、鍵ホルダー、磁気カバーは対応しません。スマートフォンがワイヤレス充電に影響が出る可能性があります。また、薄すぎるスマートフォン（例：Galaxy S10e）または背面に凸のあるスマートフォン（例：PopSockets）は対応しません。

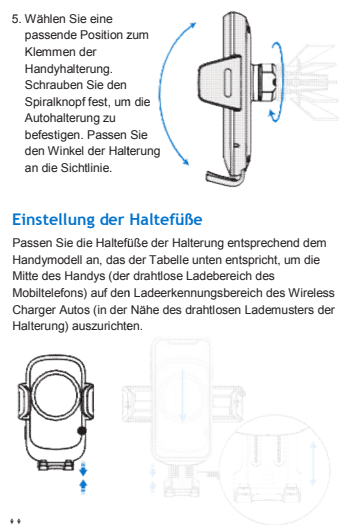
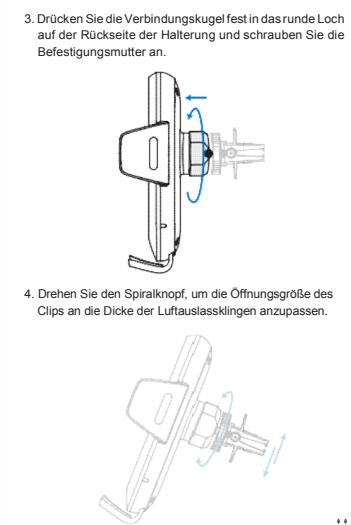
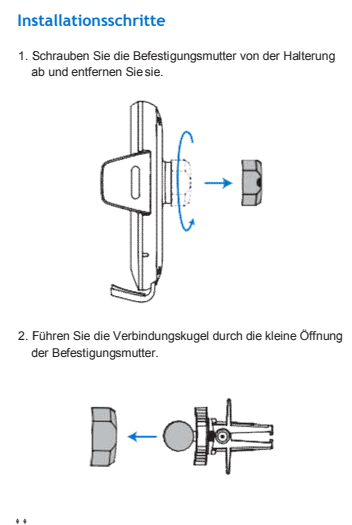
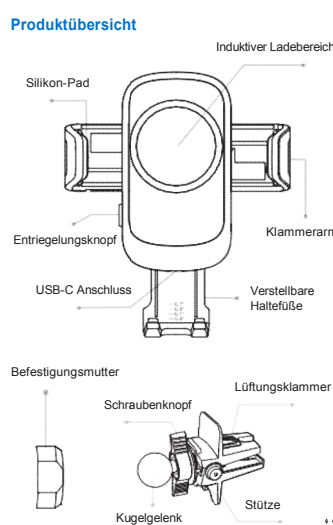


- 携帯電話適合性
mm以下の携帯電話に適合する。携帯背面に金属リング、金属フレーム、ワイヤレス充電器、PopSockets、スタンド付きの携帯電話（例：Galaxy S10e）等は対応していません。詳しくは取扱説明書の「携帯電話適合性」部分をご参照ください。
- 通常の動作温度
32°F ~ 95°F (0°C ~ 35°C)が標準使用温度です。温度が高すぎると低すぎると充電の原因になります。

Produktname	Wireless Charger Auto
Modell	CTEZ100
Eingang	5V 2A / 9V 2A / 12V 1.5A
Ausgang	5W/7.5W/10W
Ladeentfernung	≈(4-6)mm
Betriebstemperatur	32°F~95°F (0°C~35°C)
Anwendbarer Ort	Lüftungsgitter
Anwendbares Handy	Apple, Samsung und andere Handymodelle, die drahtloses Laden unterstützen (4,5-6,7 Zoll Mobiltelefon)
Paketliste	Wireless Charger Auto *1, Ladekabel *1, Befestigungsknopf *1, Bedienungsanleitung *1

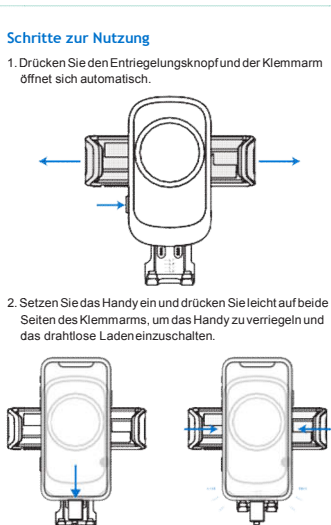
Smartphone	KbZ-Ladegerät	Ausgangsleistung
Qi Fähige Handys	5V = 2A	5W
iPhone 12 mini, 12, 12 Pro, 12 Pro Max, SE (2nd Generation), iPhone 11, 11 Pro, 11 Pro Max, iPhone Xs, Xs Max, X, iPhone 8 Plus, 8, usw.	9V 2A 12V 1.5A Quick Charge 3.0	7.5W
Samsung Galaxy S20 Ultra 5G, S20 5G, S20 FE 5G, S10+, S10e, S10, S9+, S9, S8+, S8, S7 Edge, S7, Note 20 Ultra 5G, Note 20 5G, Note 10+, Note 10, Note 9, Note 8, usw.	9V 2A 12V 1.5A Quick Charge 3.0	10W

Anpassungsfähigkeit
Anpassungsfähigkeit des Lüftungsgitters
Das Clip ist für horizontale und vertikale Lüftungsgitter geeignet, nicht geeignet für nicht-intensive, gebogene oder versenkbare Lüftungsgitter.



Status	LED-Anzeige
5.8"	iPhone 12 mini/11 Pro/Xs/SE(2nd Generation), Galaxy S10e etc.
6.1"	iPhone 12/12 Pro/11 Pro, Galaxy S20 5G/S10/S9/S8, Galaxy Note10 etc.
6.4"	iPhone 11 Pro Max/Xs Max/8 Plus, Galaxy S20 FE 5G/S10+/S9+/S8+ etc.
6.7"	iPhone 12 Pro Max, Galaxy S20 Ultra 5G/S20+5G, Galaxy Note20 5G/Note20 Ultra 5G/Note10+ 5G/Note8/Note9 etc.

Status	LED-Anzeige
Strom eingeschaltet ist	Das blaue LED-Licht blinkt.
Standby	Das blaue LED-Licht blinkt.
Aufladung	Das blaue LED-Licht ist immer an.
Metalloberfläche oder andere Fremdkörper erkannt	Das rote LED-Licht blinkt.



Häufig gestellte Fragen
1. Nicht laden oder langsames Laden
a. Bitte überprüfen Sie den Status der LED, blaues Licht bedeutet Laden, rotes Licht bedeutet nicht Laden.
b. Bitte stellen Sie die unteren Stützfüße gemäß der Anleitung so ein, dass die Spule in der Mitte des Telefons mit dem Lade-Induktionsbereich ausgerichtet ist.
c. Der 10W/7.5W Schnelllademodus muss mit dem QC 3.0 Ladeadapter verwendet werden, um eine ausreichende Leistung zu gewährleisten. Schließen Sie es nicht direkt an die USB-Schnittstelle im Auto an.
d. Bitte überprüfen Sie, ob das Handy Metall enthält. Verwenden Sie auf der Rückseite des Handys keine Metallringe, Metallstücke, Kreditkarten, PopSocket usw.
e. Das kabellose Laden passt sich der Handhülle an. Die Dicke von weniger als 4 mm an.
f. Die Ladegeschwindigkeit wird niedrig wenn die Temperatur zu hoch ist. Schalten Sie die Navigation aus, wenn der Akku leer ist, und reduzieren Sie die Temperatur im Auto.
g. Verwenden Sie für ein schnelles und sicheres Laden das mitgelieferte Originalkabel.

3. Kompatibilität der Handhülle
Es ist für Handhüllen mit einer Dicke von weniger als 4 mm geeignet. Bitte verwenden Sie keine Handhülle, die Metall enthält, z.B. Kreditkarten-Handhülle, Akkus-Handhülle, Handy-Ringhalter, PopSockets, Handhüllen mit Halterungen (z. B. UAQ) usw. Einzelheiten finden Sie im Abschnitt "Kompatibilität der Handhülle" in der Bedienungsanleitung.

4. Normale Betriebstemperatur
Standardbetriebsbereich: 0°C ~ 35°C (32°F ~ 95°F). Wenn die Temperatur zu hoch oder zu niedrig ist, fährt das zu einem normalen Betrieb.

