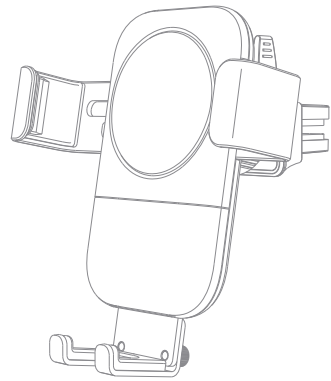


torras



**WIRELESS
CAR CHARGER**

Please read this operation instruction carefully and keep it properly before using this product.

Thanks for your purchasing wireless car charger from TORRAS.

In order to bring you better shopping experience, please read this manual, your car charger manual and your mobile phone manual carefully.

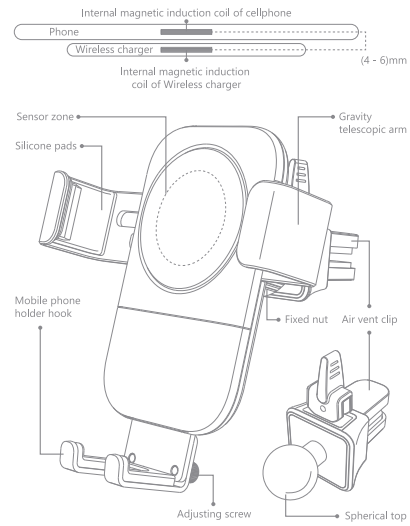
Product Specifications

Product Name	Wireless car charger
Model	CDRZ43
Size	≈(100x93x55)mm
Net Weight	≈92g
Input	5V=2A, 9V=1.8A
Charging Distance	≈(4-6)mm
Application Model	Compatible with Qi standard cellphone: iPhone, Samsung, LG, Moto etc.
Package Includes	Wireless charger ×1, Usb-c data cable ×1, Air vent clip ×1, Suction cup holder ×1, Manual book ×1

The parameters above are derived from the laboratory of TORRAS, The actual parameter would be different Because of products and other factors.

Product overview

Charging induction distance: the distance between the inner magnetic induction coil of the cellphone and the wireless charger is about (4-6) mm, please avoid putting on a much thick phone case.



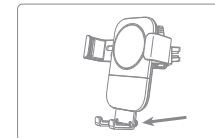
Instructions

Use of the pull-down structure for the car wireless charging

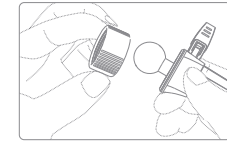
CONTENT	PHONE MODEL
Phone models that no need to pull the bottom arm down	Samsung Galaxy S6 edge, S7, S7 edge, S8, S9; iPhone 8, iPhone X; LG G2, G3, G6, Google Nexus5
Phone models that need to pull the bottom arm down	Samsung Galaxy S8+ / S9+, Note 5, Note 8, Note 9; iPhone 8 plus, LG V30, Google Nexus 6, Sony Xperia XZ2, Xiaomi Mix 2S, Huawei Mate RS, Moto Driod Turbo 2
Phone models that don't suggest pulling the bottom arm down when without phone cases	LG V30, Sony Xperia XZ2, MIX 2S, Mate RS, MOTO Droid Turbo2

You can adjust the mobile phone holder hook position of the phone's toggle to align the center of the phone with the wireless charging lightning symbol.

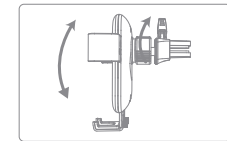
How to use the air vent clip



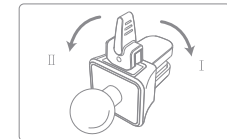
1. Loose the adjusting nut, adjust the bottom arm according to the mobile phone model, align the mobile phone center with the lightning symbol of wireless charger, then tighten the adjusting nut.



2. Unscrew the fixed nut , set the ball of the clip in the fixed nut . Push the head of the ball into the back of the car mount.

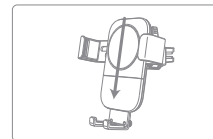


3. Rotate dockwise to tighten the nut, then it is able to adjust the angle of car wireless charger.

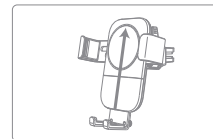


4. Fix the car wireless charger on the suitable place of air vent. There are two gears in the clip, left or right can be selected, it is recommended that the thick wind leaf choose one " I ", thin choose two " II ".

torras



5. Put the cell phone in the car wireless charger. Gravity linkage and lock the phone automatically, then the wireless car charger starts to charge your mobile phone immediately.



6. You can take out your phone from the mount easily as shown in the picture.

FCC Statement

This device complies with part 15 and part 18 of the FCC Rules. Operation is Subject to the following two conditions:
(1) This device may not cause harmful interference, and (2) this device must accept any interference received, including interference that may cause undesired operation. Changes or modifications not explicitly approved by the party responsible for compliance could void the user's authority to operate this equipment.

Note: this equipment has been tested and found to comply with the limits for a Class B digital device, pursuant to part 15 and part 18 of the FCC Rules. These limits are designed to provide reasonable protection against harmful interference in a residential installation. This equipment generates, uses and can radiate radio frequency energy and, if not installed and used in accordance with the instructions, may cause harmful interference to radio communications. However, there is no guarantee that interference will not occur in a particular installation. If this equipment does cause harmful interference to radio or television reception, which can be determined by turning the equipment off and on, the user is encouraged to try to correct the interference by one or more of the following measures:

- Reorient or relocate the receiving antenna.
- Increase the separation between the equipment and receiver.
- Connect the equipment into an outlet on a circuit different from that to which the receiver is connected.
- Consult the dealer or an experienced radio/TV technician for help.

The equipment complies with FCC radiation exposure limits set forth for an uncontrolled environment. During the operation of device a distance of 15 cm surrounding the device and 20 cm above the top surface of the device must be respected.

This device complies with Part 18 of the FCC Rules. This equipment generates uses and can radiate radio frequency energy and, if not installed and used in accordance with the instructions, may cause harmful interference to radio communications. If this equipment does cause harmful interference to radio or television reception, which can be determined by turning the equipment off and on, the user is encouraged to try to correct the interference by one or more of the following measures:
• Increase the separation between the equipment and any other radio device.
• Connect the equipment into an outlet on a circuit different from that to which the receiver is connected.

Notes

1. Please install the car holder in the good condition before driving, please do not operate or adjust the bracket during driving.
2. The wireless car charger is only compatible with Qi Enabled smart phones whose size should be from 4" to 6.2" and width is less than 3.3".
3. Please don't put cases whose thickness are over 0.12" (Like OtterBox, LifeProof, UAG, Zizo, or more Rugged surface case), Ring Holders, metal plate stickers, credit cards and PopSockets on your phone.
4. Please turn on car vent condition(fan) when in hot day or long time use, It'll help you cool down the wireless car charger and increase charging speed.
5. When Low power, please turn off the screen and charge your phone for 10mins first, Then open your map if need, this action will help avoid losing power very quickly.
6. Only support vertical mode, don't support landscape mode.
7. Not toys for fun, please keep it away from children.

Warranty Card

Customer Name: _____

Phone Number: _____

Product Name: _____

Date of Purchase: _____

Address: _____

Notes: _____

LANHE GROUP CO., LTD.

SHENZHEN TORRAS TECHNOLOGY CO., LTD.
ADD: 17F, BLOCK C, ZHANTAO TECHNOLOGY BUILDING, MINZHI ROAD, LONGHUA DISTRICT, SHENZHEN

Domestic tel: 400-800-1368 | Web: www.torras.hk
Email: support@torras.hk

© Shenzhen TORRAS Technology Co., Ltd. All Rights Reserved.

Made in China

