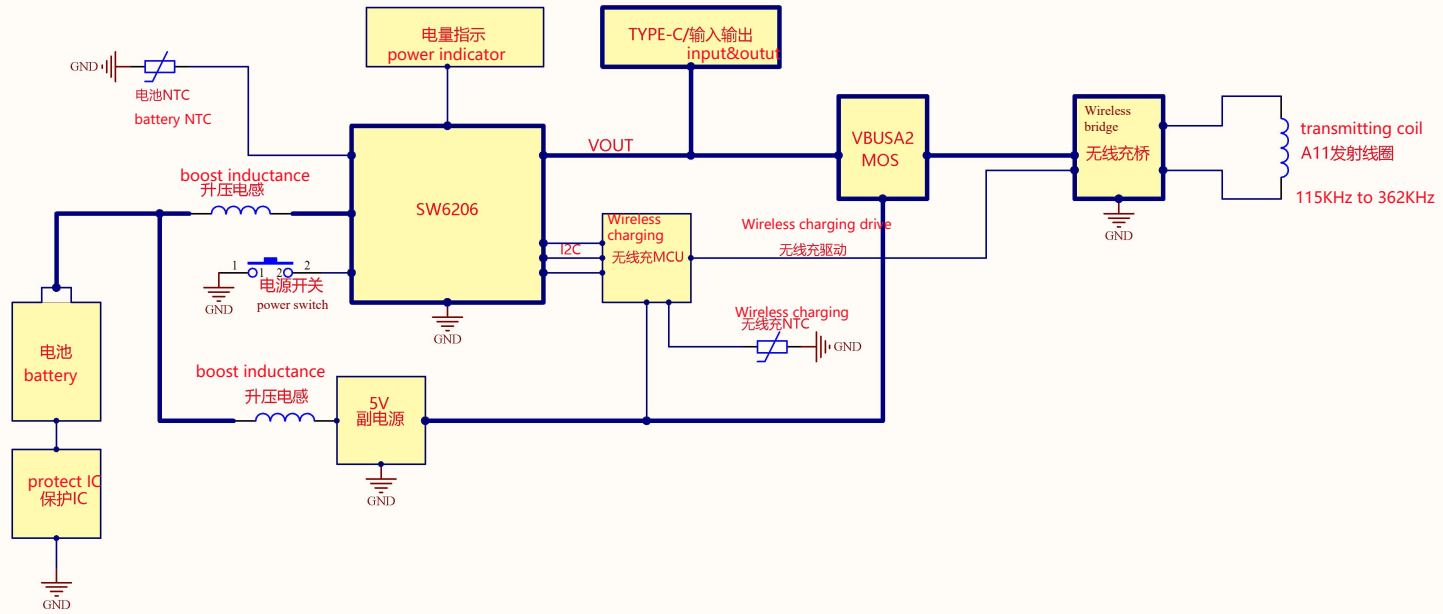


# MS19



Title *			*
Size: B	Number: *	Revision: *	*
Date: 2024/3/7	Time: 10:57:04	Sheet * of *	*
File: CAUsers\Public\Documents\Altium\ABN-162方框原理图_SchDoc			*

