

TEXTRON

FLEET MANAGEMENT

Multimedia Display Unit with GPS and wireless communications capabilities

User Manual and Quick Start Guide



Regulatory Information

This device complies with part 15 of the FCC Rules. Operation is subject to the following two conditions: (1) This device may not cause harmful interference, and (2) this device must accept any interference received, including interference that may cause undesired operation.

NOTE: This equipment has been tested and found to comply with the limits for a Class B digital device, pursuant to Part 15 of the FCC Rules. These limits are designed to provide reasonable protection against harmful interference in a residential installation. This equipment generates, uses and can radiate radio frequency energy and, if not installed and used in accordance with the instructions, may cause harmful interference to radio communications. However, there is no guarantee that interference will not occur in a particular installation. If this equipment does cause harmful interference to radio or television reception, which can be determined by turning the equipment off and on, the user is encouraged to try to correct the interference by one or more of the following measures:

- Reorient or relocate the receiving antenna.
- Increase the separation between the equipment and receiver.
- Connect the equipment into an outlet on a circuit different from that to which the receiver is connected.
- Consult the dealer or an experienced radio/TV technician for help.

Note: The manufacturer is not responsible for any radio or TV interference caused by unauthorized modifications to this equipment. Such modifications could void the user's authority to operate this equipment.

Changes or modifications not expressly approved by the party responsible for compliance could void the user's authority to operate the equipment.

This device complies with Industry Canada RSS standard(s). Operation is subject to the following two conditions: (1) this device may not cause interference, and (2) this device must accept any interference, including interference that may cause undesired operation of the device.

Le présent appareil est conforme aux CNR d'Industrie Canada applicables aux appareils radio exempts de licence. L'exploitation est autorisée aux deux conditions suivantes:

- (1) il ne doit pas produire de brouillage et
- (2) l'utilisateur du dispositif doit être prêt à accepter tout brouillage radioélectrique reçu, même si ce brouillage est susceptible de compromettre le fonctionnement du dispositif.

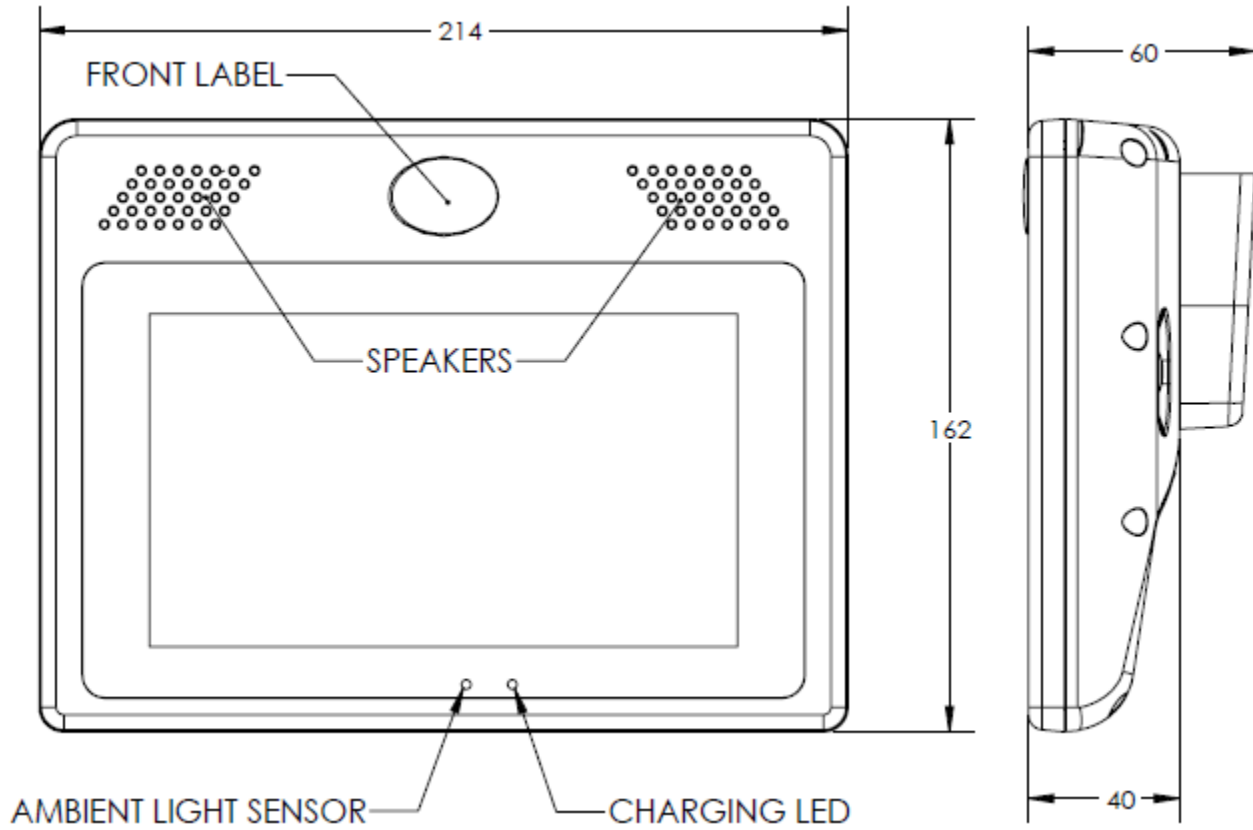
FCC ID:2AN3C-TFM7, IC:23310-TFM7

Contain FCC ID: QISMU709S-6

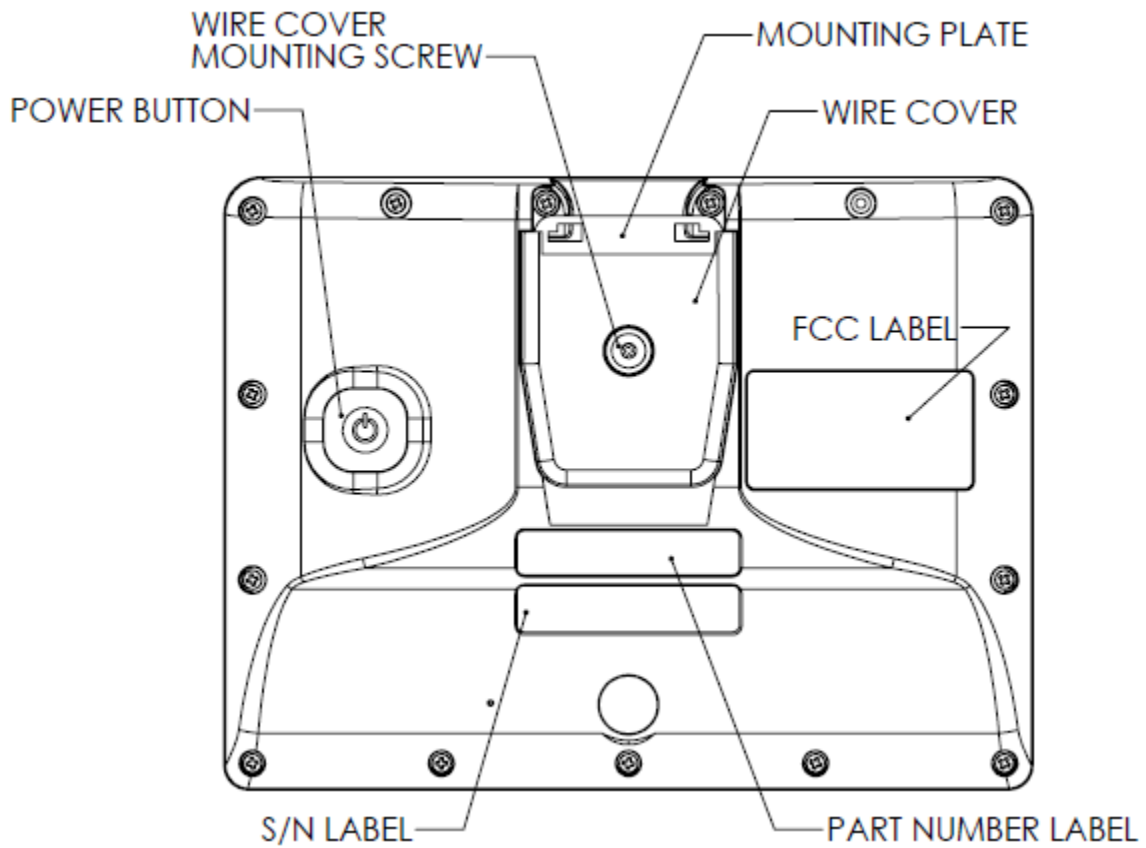
The distance between user and products should be no less than 20cm

Dimensions

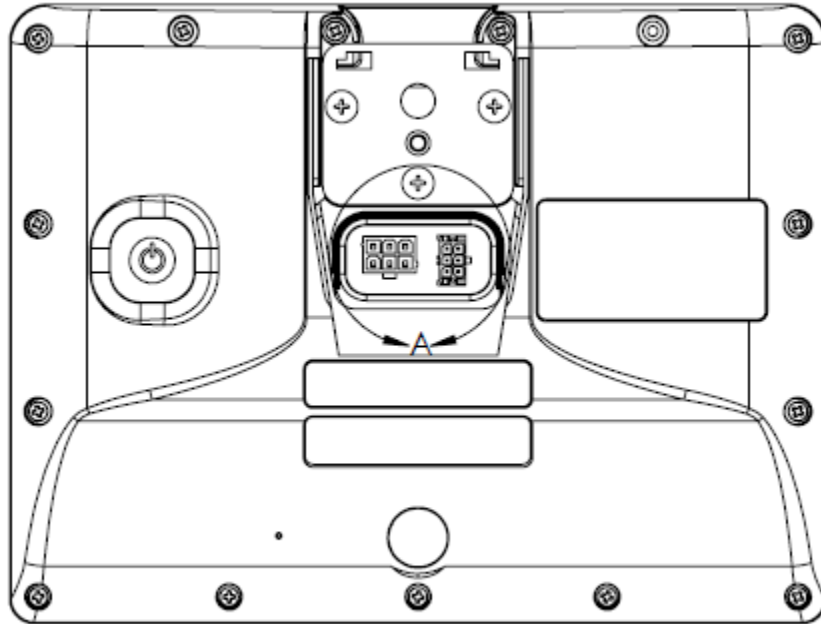
Front and Side View



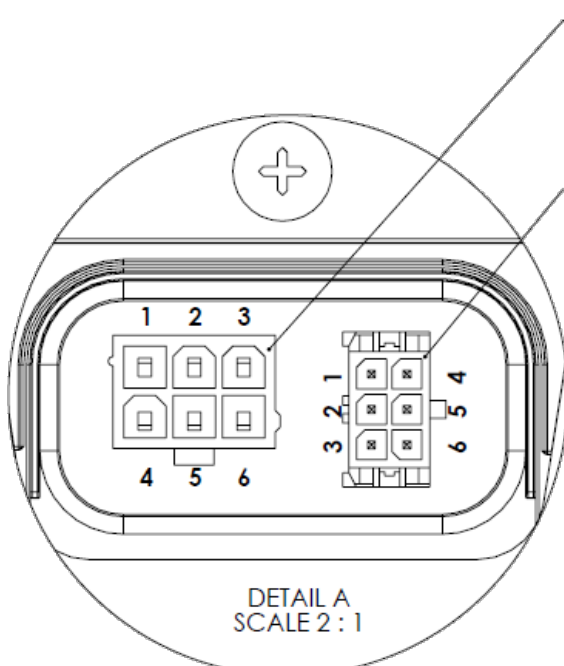
Rear View



Connector



WIRE COVER REMOVED



DETAIL A
SCALE 2 : 1

POWER AND MC CONNECTOR

Pin #	1	2	3	4	5	6
Signal Name	TX	RX	REL	VBATT	GND	IGN

SERVICE CONNECTOR

Pin #	1	2	3	4	5	6
Signal Name	PROG.	USB ID	GND	VBUS	D-	D+

NOTE:

Wire Cover (TFM P/N 041-3005) and Wire Cover mounting screw (10-32 x 3/8", Pan, Philips,SS,SEMS,w/extlockwasher) are included with the GPS Unit.

Hardware Specifications

Features	Description
OS	Google Android 5.1
Processor	Quad Core – 1.4 GHz with graphics accelerator and Internal Temperature Sensor.
Memory	Min 2GB RAM + 8GB (min) FLASH
Memory Expansion	MicroSD Card, Up to 32GB
Cellular Modem	GSM/GPRS/EDGE/WCDMA/HSPA GSM: 850/1900MHz WCDMA : 850/1900
SIM Card	1.8 / 3.0V standard SIM holder.
Bluetooth	Bluetooth 4.0 support A2DP - FCC pre-certified.
Wi-Fi	Wi-Fi 802.11 b/g/n
GPS	Yes, fast fix technology.
NFC	13.56 MHz - ISO/IEC 14443 (ACTIVE/PASSIVE)
Antennas	GSM & WCDMA internal embedded antenna, 2.4G BT&WiFi internal embedded antenna, NFC internal antenna
Display	7in (720*1280, 160 dpi) IPS LCD 700 nits LED backlight brightness
Touch Panel	10-point Capacitive
Ambient Light Detector	Control display brightness
Battery	6,000 mAh + Internal Temperature Sensor; LiFePO4 chemistry.
Buttons	Power Button
Motion Detection	Tri-axis accelerometer, G-sensor
Speakers	Stereo, min 2W per channel speaker support.
Microphone	Low noise, suitable for voice capture, communication apps.
USB	USB2.0 X 1 port USB OTG
Serial Interface	RS232 TTL level, ESD, overvoltage protection.
Automotive Interface	CANBUS, ESD, overvoltage protection.
Camera	5 Mega Pixels – support only (camera not present)

Software User Guide

Welcome Screen

After power up, the GPS unit will display a message with information about the golf facility it operates on.

The user has access to a menu with options to enter their name and golf handicap for score keeping and other options.

The screenshot shows the 'MEADOW GREENS' welcome screen. At the top center is a crest with 'GRC' inside. Below it, the text reads 'MEADOW GREENS' in large white letters, followed by 'GOLF & COUNTRY CLUB WELCOMES YOU.' in smaller white letters. The background is a scenic view of a golf course with a lake and mountains. A yellow arrow points from the left to the title area, labeled 'Golf Course Information'. Another yellow arrow points from the bottom center to a '+' icon, labeled 'Add Players *optional*'. A third yellow arrow points from the bottom right to a grid icon, labeled 'Access main menu'. Below the main screen, two panels are shown: the 'Add Players' panel and the main menu panel.

Add Players

1	John Smith	11	HCP
2	Sascha Williamson	22	HCP
3			HCP
4	Player 4		HCP

Main Menu

- SETTINGS
- MAP
- SCORES
- HELP
- END GAME
- MESSAGE
- SELECT HOLE
- FOOD

Main View During Game • Hole View

Once the golfer arrives on the first hole, the unit automatically transitions into *play* mode and shows the current hole.





Scorecard

Once a game is started, players can enter hole-by-hole scores. Handicap stroke holes are automatically allocated and net scores calculated as the round progresses.

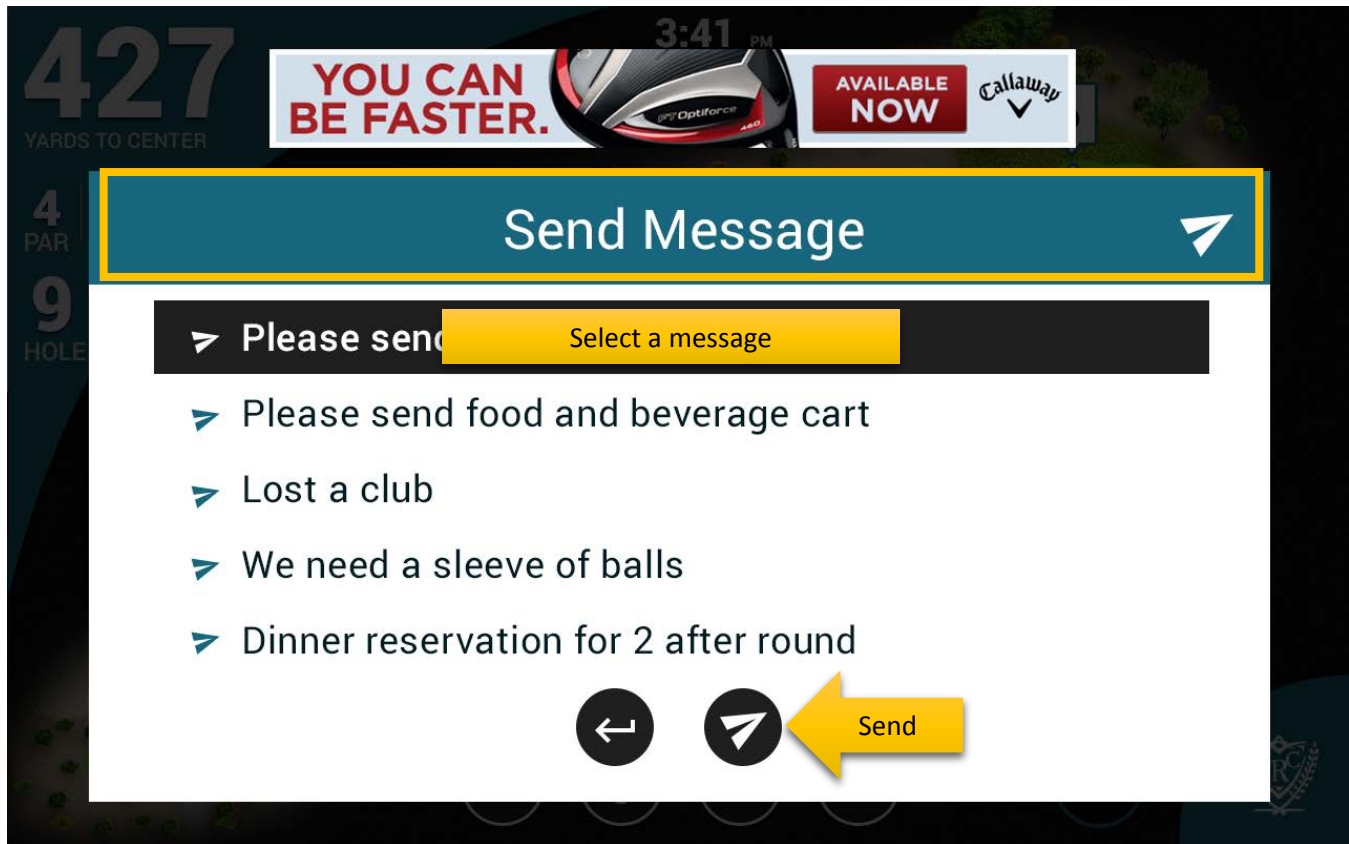
HOLE		2	3	4	5	6	7	8	9	OUT	TOTAL
PAR	4	3	5		3	4	4	5	5	36	
John Smithson	22 HCP	- 4	4	5	6	4	3	3	4	42 34	34
David Thompson	19 HCP	+	+	+	+	+	+	+	+	00 00	00

Edit players
 Steve & Michael
 View all 18
 Back 9

Edit Players and Review Scores

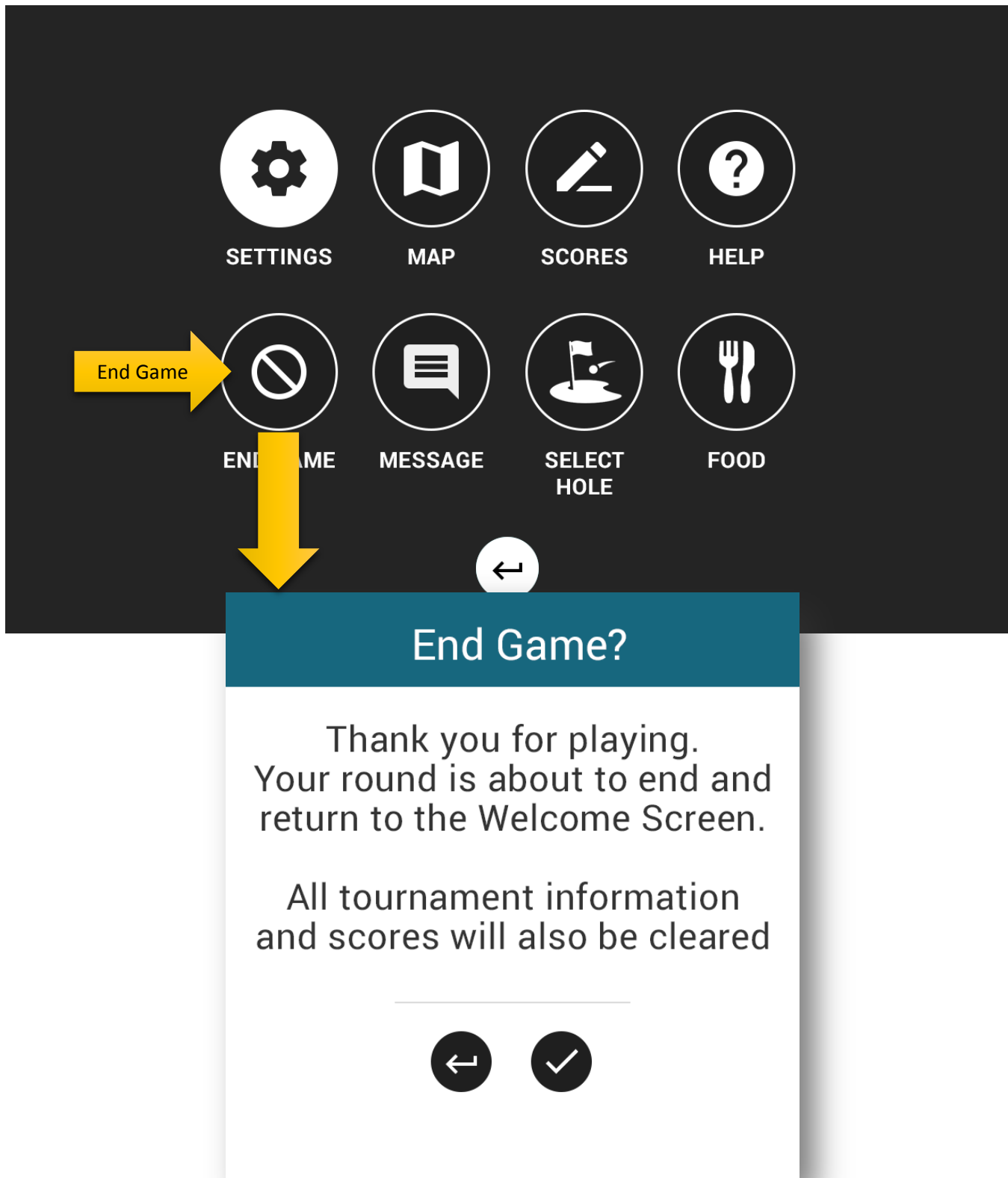
Messaging

At any time during the round, golfers may send messages to the clubhouse.



Ending a Game

When a round is completed, the unit will automatically return to the welcome screen and clear player information within 15-30 minutes. To end a game right away, select 'End Game' from the main menu.



The unit will return to the welcome screen, ready for a new round.