

# 77GHz Radar User Manual



## CONTENT

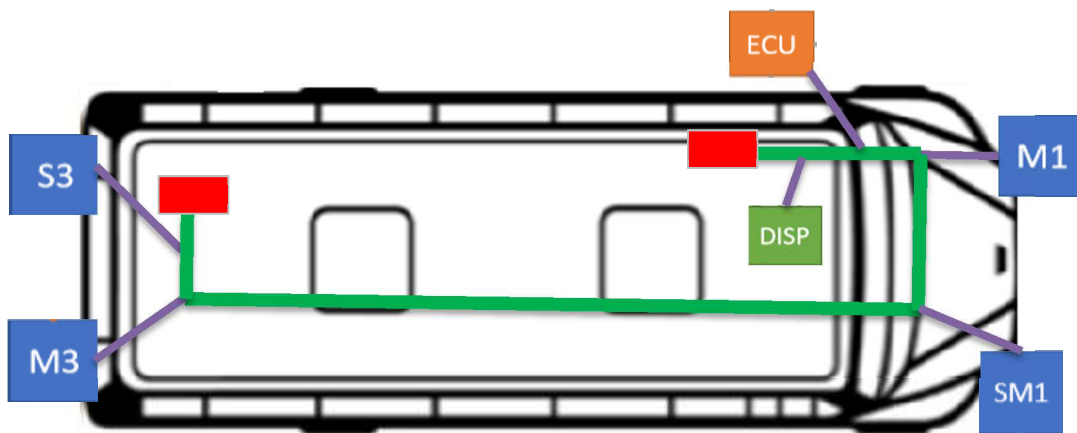
<b>1. GENERAL INFORMATION</b> .....	3
77GHZ RADAR FOR VEHICLE COLLISION WARNING AND DETECTION OF PEDESTRIAN.....	3
<b>2. APPLICATION DESCRIPTION</b> .....	3
<b>3. INSTALLATION</b> .....	3
<b>4. FEATURE /ACCESSORIES</b> .....	4
<b>5. RADAR WITH CONNECTOR:</b> .....	5
<b>6. WARNING</b> .....	5

## 1. GENERAL INFORMATION

77Ghz radar for vehicle collision warning and detection of pedestrian.

## 2. APPLICATION DESCRIPTION

. Single or Multiple radars in various transportation vehicle detection system. An application example shown as the following drawing. When vehicle stays in stationary or moving in low speed, the aforementioned system transmitting speed or door opening messages from the vehicle through OBD CAN to activate radar detection function. When a pedestrian or a vehicle is near the subject vehicle, send detection result to ECU for warning on the corresponding LED area.



## 3. INSTALLATION

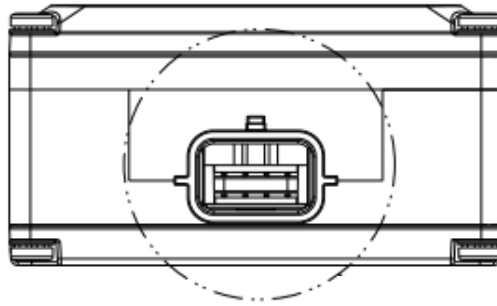
Height: radar sensor installation area height is 405 mm ~ 800 mm from the ground.

Installation: Facing antenna side towards detection area for field of view  $\pm 45^\circ$

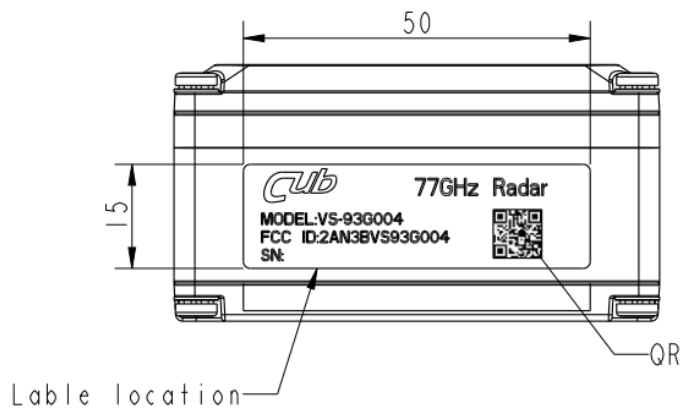
#### 4. FEATURE /ACCESSORIES

##### Radar Sensor

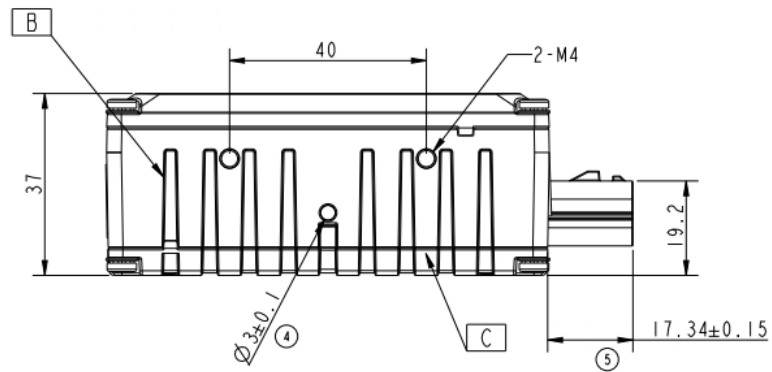
Front View:



Back View:



Side View:



## 5. RADAR WITH CONNECTOR:



## 6. WARNING

### MPE

FOR MOBILE DEVICE USAGE (>20cm/low power)

### Radiation Exposure Statement:

This equipment complies with FCC radiation exposure limits set forth for an uncontrolled environment. This equipment should be installed and operated with minimum distance 20cm between the radiator & your body.

co-located: This transmitter must not be co-located or operating in conjunction with any other antenna or transmitter

### FCC

This 77GHz radar complies with part 95 of the FCC Rules. Operation is subject to the following two conditions:

- (1) This device may not cause harmful interference, and
- (2) this device must accept any interference received, including interference that may cause undesired operation.

NOTE: This equipment has been tested and found to comply with the limits for a Class B digital device, pursuant to part 95 of the FCC Rules. These limits are designed to provide reasonable protection against harmful interference in a residential installation.

This equipment generates, uses and can radiate radio frequency energy and, if not

installed and used in accordance with the instructions, may cause harmful interference to radio communications. However, there is no guarantee that interference will not occur in a particular installation.

If this equipment does cause harmful interference to radio or television reception, which can be determined by turning the equipment off and on, the user is encouraged to try to correct the interference by one or more of the following measures:

- Reorient or relocate the receiving antenna.
- Increase the separation between the equipment and receiver.
- Connect the equipment into an outlet on a circuit different from that to which the receiver is connected.
- Consult the dealer or an experienced radio/TV technician for help.

Changes or modifications not expressly approved by the party responsible for compliance could void the user's authority to operate the equipment.