

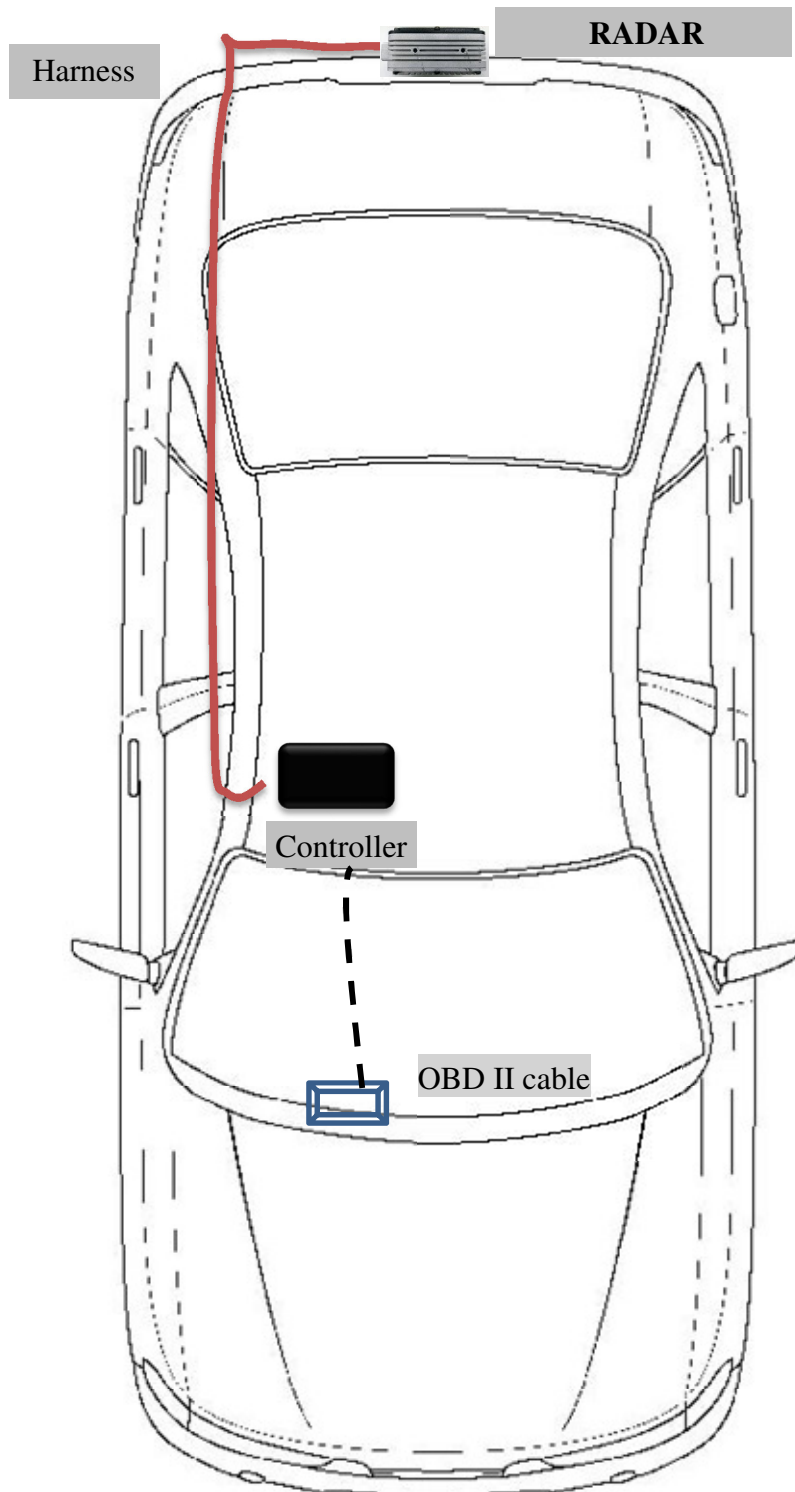
77GHz Radar User Manual



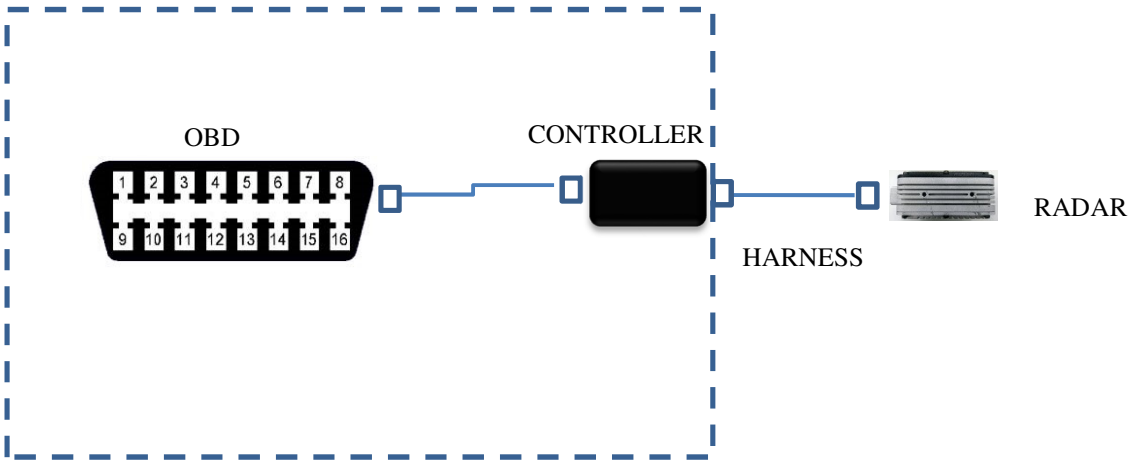
CONTENT

1. SYSTEM LAYOUT	3
2. SYSTEM BLOCK	4
3. PARTS	4
4. RADAR HEIGHT & ANGLE.....	5
5. INSTALL SEQUENCE	5
6. OUTPUT	6
7. RADAR SENSOR	6
8. RADAR WITH CONNECTOR:	7



1. SYSTEM LAYOUT



2. SYSTEM BLOCK

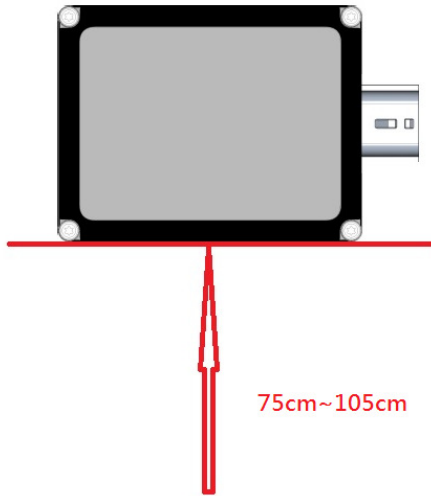


3. PARTS

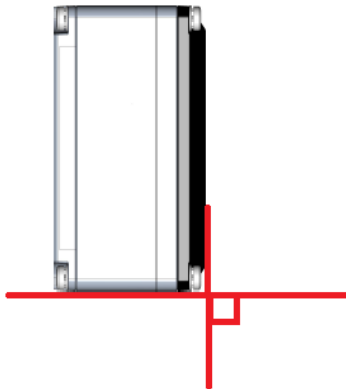
No	Item	Qt'y	Picture
1	RADAR SENSOR	1	
2	HARNESS	1	

4. RADAR HEIGHT & ANGLE

Height: RADAR sensor installation area height is 75 cm ~ 105 cm from the ground.



Angle: Place the RADAR side angle is 90 degrees with horizon.



5. INSTALL SEQUENCE

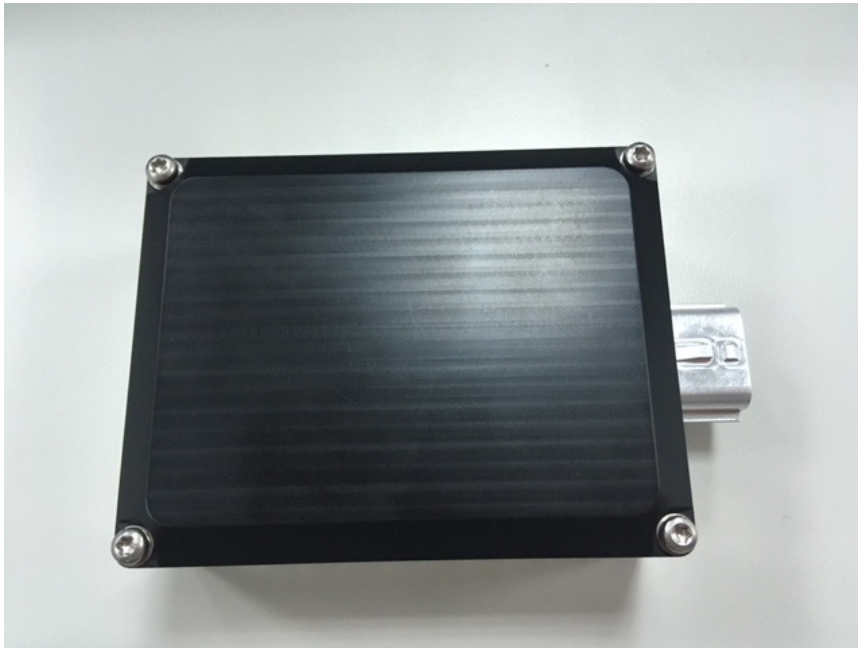
1. Connect Control ECU to Harness.
2. Connect Radar sensor to Harness.

6. OUTPUT

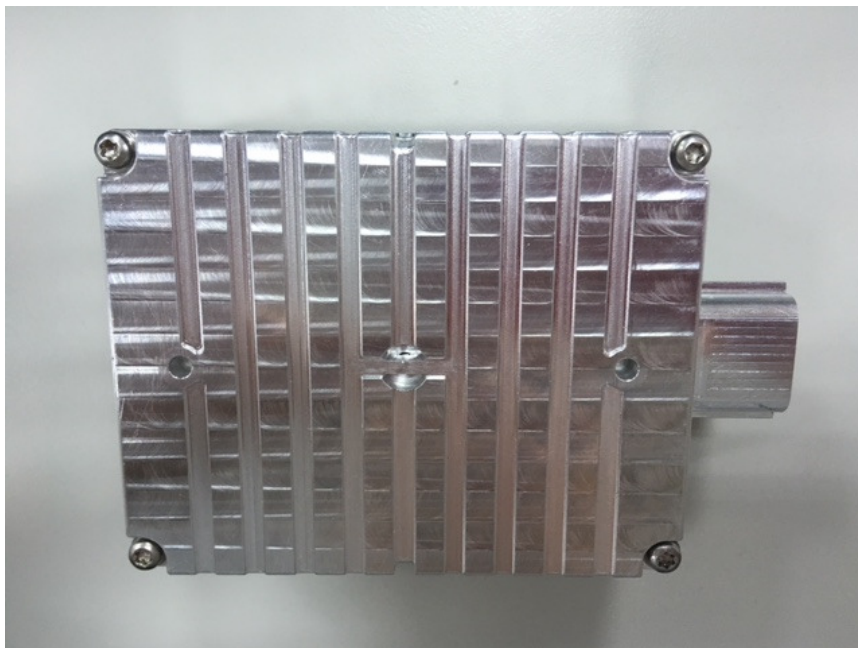
Target List

7. RADAR SENSOR

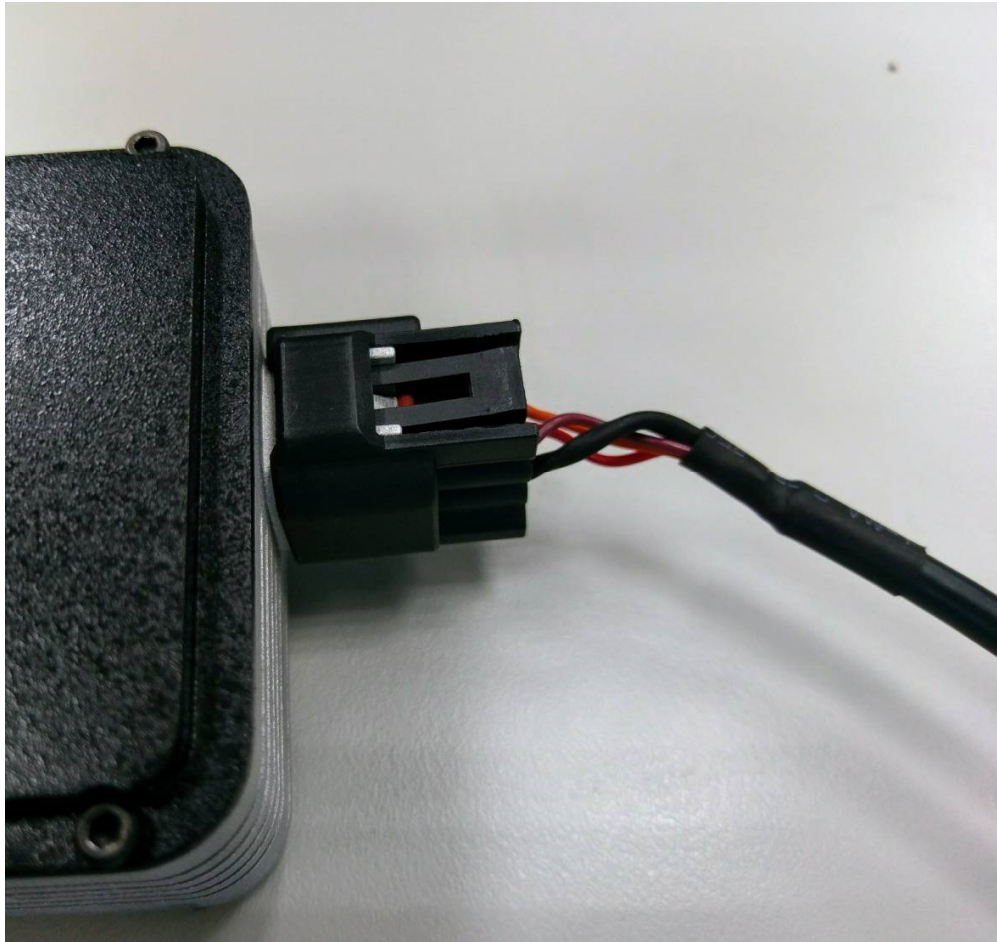
Front Side:



Back Side:



8. RADAR with Connector:



9. Warning :

FCC

This device is complaint to Part 95M requirement for both fundamental emissions and unwanted emissions.

Operation is subject to the following two conditions:

- (1) This device may not cause harmful interference, and
- (2) this device must accept any interference received, including interference that may cause undesired operation.

NOTE: This equipment has been tested and found to comply with part 95M of the FCC rules. These limits are designed to provide reasonable protection against harmful interference in a residential installation.

If this equipment does cause harmful interference to radio or television reception, which can be determined by turning the equipment off and on, the user is encouraged to try to correct the interference by one or more of the following measures:

- Reorient or relocate the receiving antenna.
- Increase the separation between the equipment and receiver.
- Connect the equipment into an outlet on a circuit different from that to which the receiver is connected.
- Consult the dealer or an experienced radio/TV technician for help.

Changes or modifications not expressly approved by the party responsible for compliance could void the user's authority to operate the equipment.

FOR MOBILE DEVICE USAGE (>25cm/low power)

Radiation Exposure Statement:

This equipment complies with FCC radiation exposure limits set forth for an uncontrolled environment. This equipment should be installed and operated with minimum distance 25cm between the radiator & your body.