

User Guide

Name:Bluetooth Receiver

Paww, LLC

Congratulations on your purchase of the Paww WaveCast RX Bluetooth wireless receiver! WaveCast RX transforms any home audio system into a Bluetooth-enabled system which can wireless stream audio from any Bluetooth-enabled source device, such as your smartphone, tablet, laptop, etc. Now you can stream music through your favorite audio system, without being tethered by wires!



1. Product overview

- ① Multi-function button (MFB) – (Power on / Pairing Mode / Play / Pause / Power off)
- ② LED indicator
- ③ 3.5 mm audio jack
- ④ USB Type-C charging Port

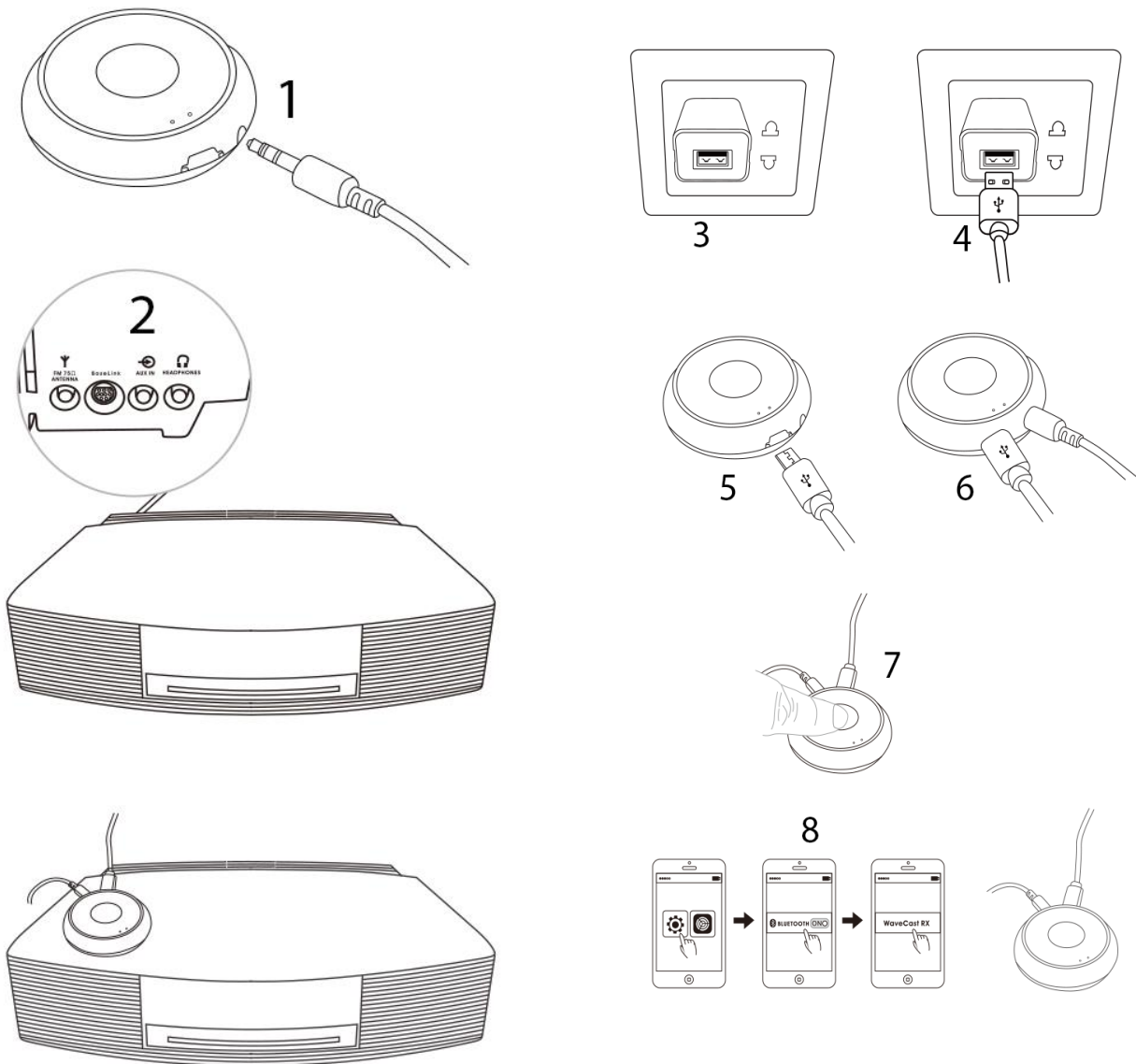
2. Package Contents:

A. 1 Amp USB Power Adapter (UL certificated)

B. Aux 3.5mm audio cable

C. USB Type-C charging cable

D. User Guide



2. INITIAL SETUP

Please use the diagrams above as reference for the steps below:

1. Connect the included 3.5mm auxiliary cable to the the 3.5mm port on WaveCast RX (reference 3 of Product Overview).
2. Connect the other end of the 3.5mm auxiliary cable to the audio device' s 3.5mm AUX IN port (please ensure that you connect to the Aux In port and not the output port marked with a headphone). Turn on your speaker and set the input source to AUX.
3. Insert the attached power adapter to wall socket.
4. Insert the USB charging cable into the power adapter.
5. Plug the **USB Type-C** end of the charging cable into the WaveCast RX' s **USB Type-C** charging port (reference 4 of Product Overview)
6. At this point both the auxiliary cable and **USB Type-C** charging cable should be plugged into the WaveCast. This will automatically put the WaveCast RX into pairing mode.
7. Pressing and holding the Multifunction button (reference 1 in Product Overview) for 2 seconds will also switch the device on and put it into pairing mode. To confirm that the device is in pairing mode, you will hear two prompts: "power on" and "pairing" .
8. Navigate to Bluetooth settings on your phone or tablet, and search/scan for new devices. Once WaveCast RX appears, select it and follow the prompts to complete the pairing process. Once successfully paired, you were hear the prompted "connected" .

3. POWER OFF

1. Press and hold the Multifunction button for 5-seconds to switch WaveCast RX off. Your audio system will prompt "power off" .
2. Remove the **USB Type-C** cable from the WaveCast RX to power the unit off.

4. PAIRING WITH TWO DEVICES

1. Pair the first device to WaveCast RX using the steps outlined above.
2. Switch off Bluetooth on the first device. This will place the WaveCast RX back into pairing mode.
3. Pair the second device to WaveCast RX using the steps outlined above.
4. Switch on Bluetooth on the first device. WaveCast RX should now be connected to two devices concurrently.

And the 2nd Led will be on in Blue Color as well.

5. RECONNECTING TO A PREVIOUSLY PAIRED DEVICE

1. Whenever the WaveCast RX is powered on, it will automatically reconnect to the last paired and connected device.
2. To pair the WaveCast RX to another device, press and hold the Multifunction Button for approximately 3 seconds or until you hear the prompt "pairing" , then follow the instructions above.

6. FUNCTION DESCRIPTION

Function	Operation	LED
Power On	Charge the WaveCast RX via USB Type-C cable	Blue LED Flashes Rapidly
Power Off	Unplug the USB Type-C cable from WaveCast RX	N/A
Pairing	Press and hold the Multifunction button for 3 seconds. The device stays in pairing mode for 10 minutes. If not paired during that time, device shuts off.	Blue LED flashes Rapidly
Play music	If music is paused, press the Multifunction button once to start playing the music.	Blue LED flashes twice every five seconds
Pause music	To pause music, press the Multifunction button once.	Blue LED flashes twice every ten seconds
Standby	Connected to a Bluetooth device, but no audio streaming	Blue LED flashes once every ten seconds

7. RESETTING THE WAVECAST RX

If the WaveCast RX is behaving abnormally, it may require a factory reset. Once the reset is complete, all existing pairing information is lost, and all previously paired devices will have to be paired again using the steps outlined above.

Note: Please make sure that the WaveCast RX is connected to an audio device prior to doing the factory reset.

To do a factory reset, press the Multifunction button for approximately six seconds, or until you hear the prompt "power off" followed by two beeps.

8. PRODUCT SPECIFICATIONS

- Bluetooth Version: V5.0+EDR
- Chipset: QCC3003
- Operating Range: Class 2 - Up to 10 meters
- Supported Profiles: A2DP v1.3, AVRCP v1.6
- Supported Decoders: AAC, SBC, MP3
- Multipoint Support: A2DP Connection to Two Devices.

9. WARRANTY

The Paww WaveCast RX Bluetooth receiver ships with a 1-year warranty. If you do encounter any issues during this time, you can initiate a warranty claim by contacting us via email on support@mypaww.com or through the Contact Us page on our website (<https://www.mypaww.com/pages/contact-us>).

NOTE: This equipment has been tested and found to comply with the limits for a Class B digital device, pursuant to part 15 of the FCC Rules. These limits are designed to provide reasonable protection against harmful interference in a residential installation. This equipment generates uses and can radiate radio frequency energy and, if not installed and used in accordance with the instructions, may cause harmful interference to radio communications. However, there is no guarantee that interference will not occur in a particular installation. If this equipment does cause harmful interference to radio or television reception, which can be determined by turning the equipment off and on, the user is encouraged to try to correct the interference by one or more of the following measures:

- Reorient or relocate the receiving antenna.
- Increase the separation between the equipment and receiver.
- Connect the equipment into an outlet on a circuit different from that to which the receiver is connected.
- Consult the dealer or an experienced radio/TV technician for help

Changes or modifications not expressly approved by the party responsible for compliance could void the user's authority to operate the equipment.

This device complies with Part 15 of the FCC Rules. Operation is subject to the following two conditions:

- (1) this device may not cause harmful interference, and
- (2) this device must accept any interference received, including interference that may cause undesired operation.