



# Roborock S7

## Robotic Vacuum Cleaner User Manual

Read this user manual carefully before using this product and store it properly for future reference.



**English      004**

**Français      045**

**Español      087**

# Contents

005	Safety Information
008	FCC IC Statement
010	Battery and Charging
011	Holiday Energy Saving Function
012	Product Overview
018	Installation
023	Connect to the App
025	Instructions
029	Routine Maintenance
039	Basic Parameters
040	Errors
042	Common Issues

# Safety Information

## IMPORTANT SAFETY INSTRUCTIONS

When using an electrical appliance, basic precautions should always be followed, including the following: READ ALL INSTRUCTIONS BEFORE USING (THIS APPLIANCE). Failure to follow the warnings and instructions may result in electric shock, fire and/or serious injury.

### WARNING

To reduce the risk of fire, electric shock, or injury:

- Do not use outdoors or on wet surfaces.
- Do not allow to be used as a toy. Close attention is necessary when used by or near children, pets or plants.
- Use only as described in this manual. Use only manufacturer's recommended attachments.
- Do not use with damaged cord or plug. If appliance is not working as it should, has been dropped, damaged, left outdoors, or dropped into water, return it to a service center.
- Do not pull or carry by cord, use cord as a handle, close a door on cord, or pull cord around sharp edges or corners.
- Do not run appliance over cord. Keep cord away from heated surfaces.
- Do not unplug by pulling on cord. To unplug, grasp the plug, not the cord.
- Do not handle charger, including charger plug, and charger terminals with wet hands.
- Do not put any object into openings. Do not use with any opening blocked; keep free of dust, lint, hair, and anything that may reduce air flow.
- Keep hair, loose clothing, fingers, and all parts of body away from openings and moving parts.
- Do not use to pick up flammable or combustible liquids, such as gasoline, or use in areas where they may be present.
- Do not pick up anything that is burning or smoking, such as cigarettes, matches, or hot ashes.
- Do not use without dust bag.
- Prevent unintentional starting. Ensure the switch is in the off-position before connecting to battery pack, picking up or carrying the appliance. Carrying the appliance with your finger on the switch or energizing appliance that have the switch on invites accidents.

# Safety Information

- For use only with roborock CDZ11RR or CDZ12RR charger. Recharge only with the charger specified by the manufacturer. A charger that is suitable for one type of battery pack may create a risk of fire when used with another battery pack.
- Use appliances only with specifically designated battery packs. Use of any other battery packs may create a risk of injury and fire.
- Turn off the appliance before making any adjustments, changing accessories, or storing appliance. Such preventive safety measures reduce the risk of starting the appliance accidentally.
- When battery pack is not in use, keep it away from other metal objects, like paper clips, coins, keys, nails, screws or other small metal objects, that can make a connection from one terminal to another. Shorting the battery terminals together may cause burns or a fire.
- Under abusive conditions, liquid may be ejected from the battery; avoid contact. If contact accidentally occurs, flush with water. If liquid contacts eyes, additionally seek medical help. Liquid ejected from the battery may cause irritation or burns.
- Do not use a battery pack or appliance that is damaged or modified. Damaged or modified batteries may exhibit unpredictable behavior resulting in fire, explosion or risk of injury.
- Do not expose a battery pack or appliance to fire or excessive temperature. Exposure to fire or temperature above 130°C (266°F) may cause explosion.
- Follow all charging instructions and do not charge the battery pack or appliance outside of the temperature range specified in the instructions. Charging improperly or at temperatures outside of the specified range may damage the battery and increase the risk of fire.
- Have servicing performed by a qualified repair person using only identical replacement parts. This will ensure that the safety of the product is maintained.
- Do not modify or attempt to repair the appliance or the battery pack except as indicated in the instructions for use and care.
- Place the cords from other appliances out of the area to be cleaned.
- Do not operate the vacuum in a room where an infant or child is sleeping.
- Do not operate the vacuum in an area where there are lit candles or fragile objects on the floor to be cleaned.
- Do not operate the vacuum in a room that has lit candles on furniture that the vacuum may accidentally hit or bump into.
- Do not allow children to sit on the vacuum.

# Safety Information

- Risk of Injury. Brush May Start Unexpectedly. Disconnect the main Brush Before Cleaning or Servicing.
- Do not use the product when the temperature is higher than 40°C (104°F) or lower than 4°C (39°F), or there is any liquid or sticky substance on the floor.

## SAVE THESE INSTRUCTIONS

Household use only.

## Laser Safety

Class 1 laser product, Complies with FDA 21 CFR 1040.10 and 1040.11 except for conformance with IEC 60825-1 Ed. 3., as described in Laser Notice 56, dated May 8, 2019.

# FCC IC Statement

<b>Compliance Information</b>	
Product Name	Robotic Vacuum Cleaner with Dock Charger
Product Model	Robotic Vacuum Cleaner Model: roborock S7 Dock Charger Model: CDZ11RR or CDZ12RR
Compliance Statement	<p>This device complies with part 15 of the FCC Rules. This device contains licence-exempt transmitter(s)/receiver(s) that comply with Innovation, Science and Economic Development Canada's licence-exempt RSS(s). Operation is subject to the following two conditions: (1) This device may not cause harmful interference, and (2) this device must accept any interference received, including interference that may cause undesired operation.</p>
<b>Correspondence of the responsible party in USA</b>	
Company	Roborock Technology Co.
Address	108 West 13th Street, Wilmington, Delaware 19801.
Email	support@roborock.com



# FCC IC Statement

## Warning

Any changes or modifications to this unit not expressly approved by the party responsible for compliance could void the user's authority to operate the equipment.

This equipment has been tested and found to comply with the limits for a Class B digital device, pursuant to part 15 of the FCC Rules. These limits are designed to provide reasonable protection against harmful interference in a residential installation. This equipment generates uses and can radiate radio frequency energy and, if not installed and used in accordance with the instructions, may cause harmful interference to radio communications. However, there is no guarantee that interference will not occur in a particular installation. If this equipment does cause harmful interference to radio or television reception, which can be determined by turning the equipment off and on, the user is encouraged to try to correct the interference by one or more of the following measures:

- Reorient or relocate the receiving antenna.
- Increase the separation between the equipment and receiver.
- Connect the equipment into an outlet on a circuit different from that to which the receiver is connected.
- Consult the dealer or an experienced radio/TV technician for help.

## MPE Requirements

To satisfy FCC / IC RF exposure requirements, a separation distance of 20 cm or more should be maintained between the antenna of this device and persons during device operation. To ensure compliance, operations at closer than this distance is not recommended.

CAN ICES-3 (B)/NMB-3(B)

# Battery and Charging

- Keep the charging dock away from heat (such as radiators).
- Do not wipe the charging contacts with wet cloth or wet hands.
- Turn the robot off and use original packaging for shipment.
- If placing the robot into storage, charge it fully and turn it off before placing it in a cool dry place. Recharge it at least every three months to prevent the battery over discharging.
- Do not use the product when the temperature is higher than 40°C (104°F) or lower than 4°C (39°F), or there is any liquid or sticky substance on the floor.

Battery pack charging temperature		4°C - 40°C (39°F - 104°F)	@Max Charging Current: 0.5C
Battery pack using temperature		4°C - 40°C (39°F - 104°F)	@Max Discharge Current: 0.5C
Battery pack storage temperature	Storage (1 month)	-20°C - 60°C (-4°F - 140°F) @Less than 70% RH	When stored at 25°C (77°F) the robot should be recharged every three months.
	Long Storage (3 months)	-20°C - 45°C (-4°F - 113°F) @Less than 70% RH	
	Long Storage (1 year)	-20°C - 20°C (-4°F - 68°F) @Less than 70% RH	

# Holiday Energy Saving Function

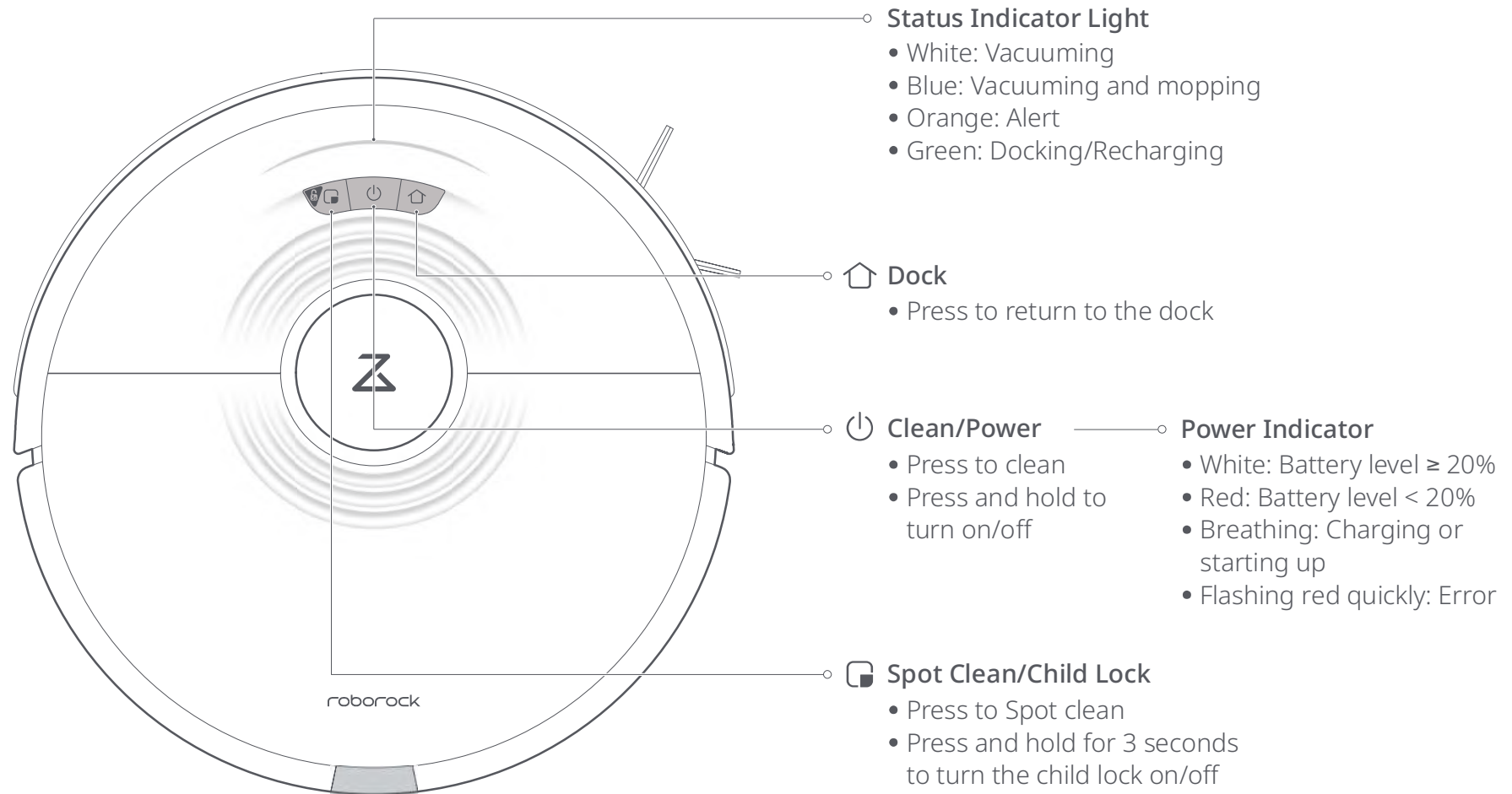
When the robot is docked, press and hold "Dock" for 10 seconds or until you hear an alert sound. This will activate Holiday mode.

In this mode the robot will switch to Low Power mode to minimize power consumption. This includes a dimming of the LED indicator, and the stopping of all non-charging related functions including cleaning, remote control over WiFi, and more.

To deactivate Holiday mode, press and hold "Dock" for 10 seconds until the LED indicator brightens.

# Product Overview

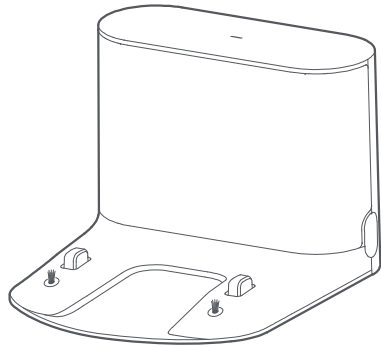
## Robot



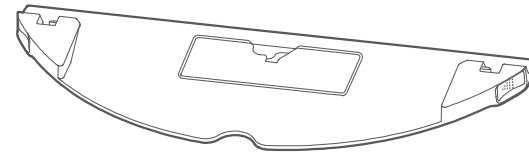
**Note:** Press any button to pause the robot when cleaning or returning to the dock.

# Product Overview

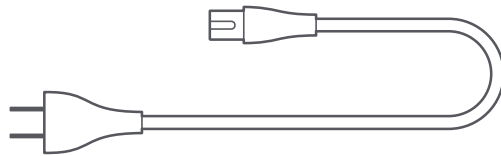
## Parts List



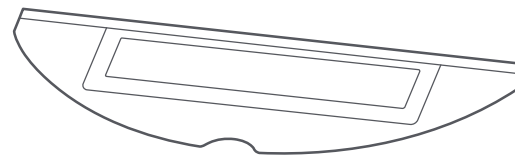
Charging Dock



VibraRise Mop Cloth Mount



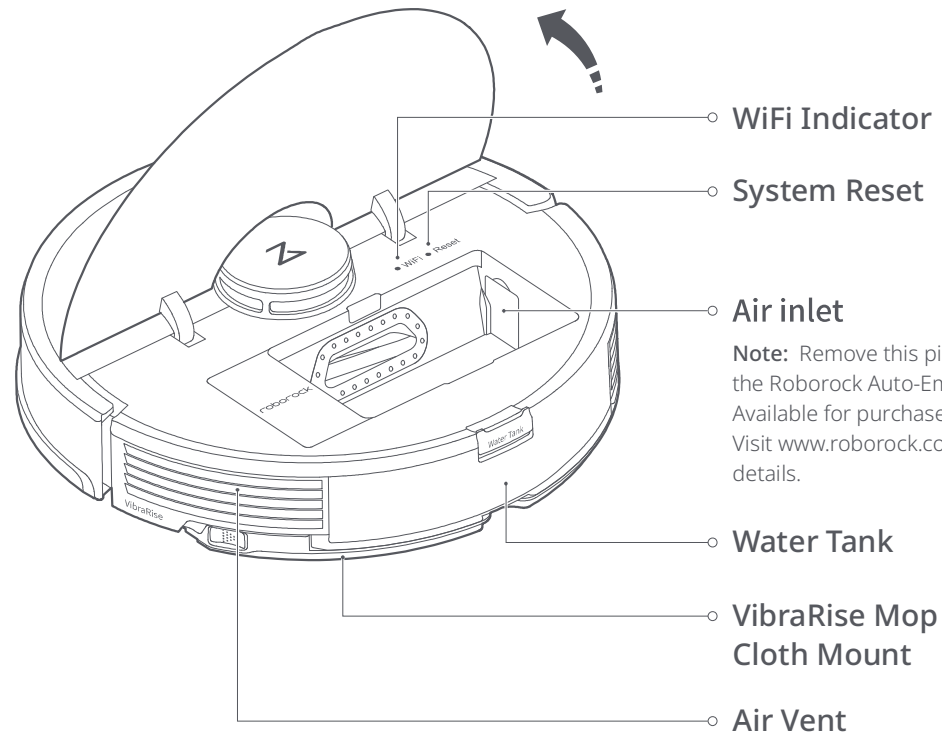
Power Cable



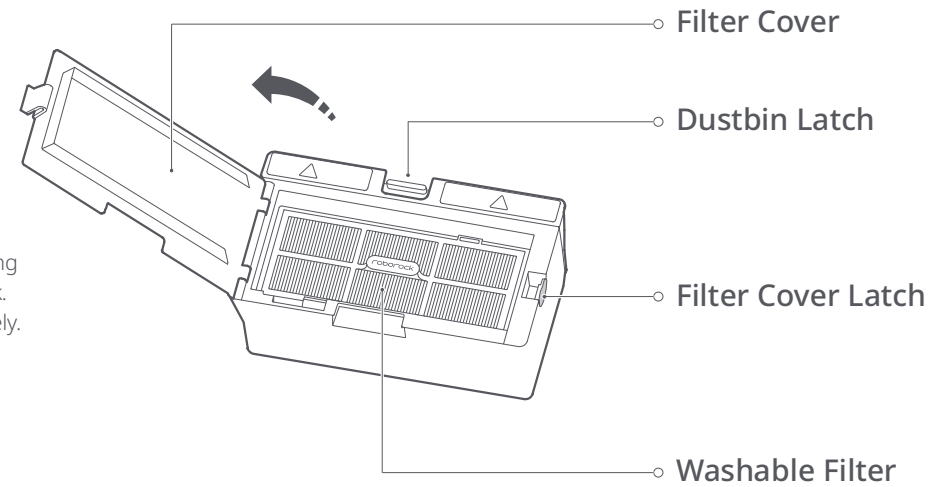
VibraRise Mop Cloth

# Product Overview

## Robot

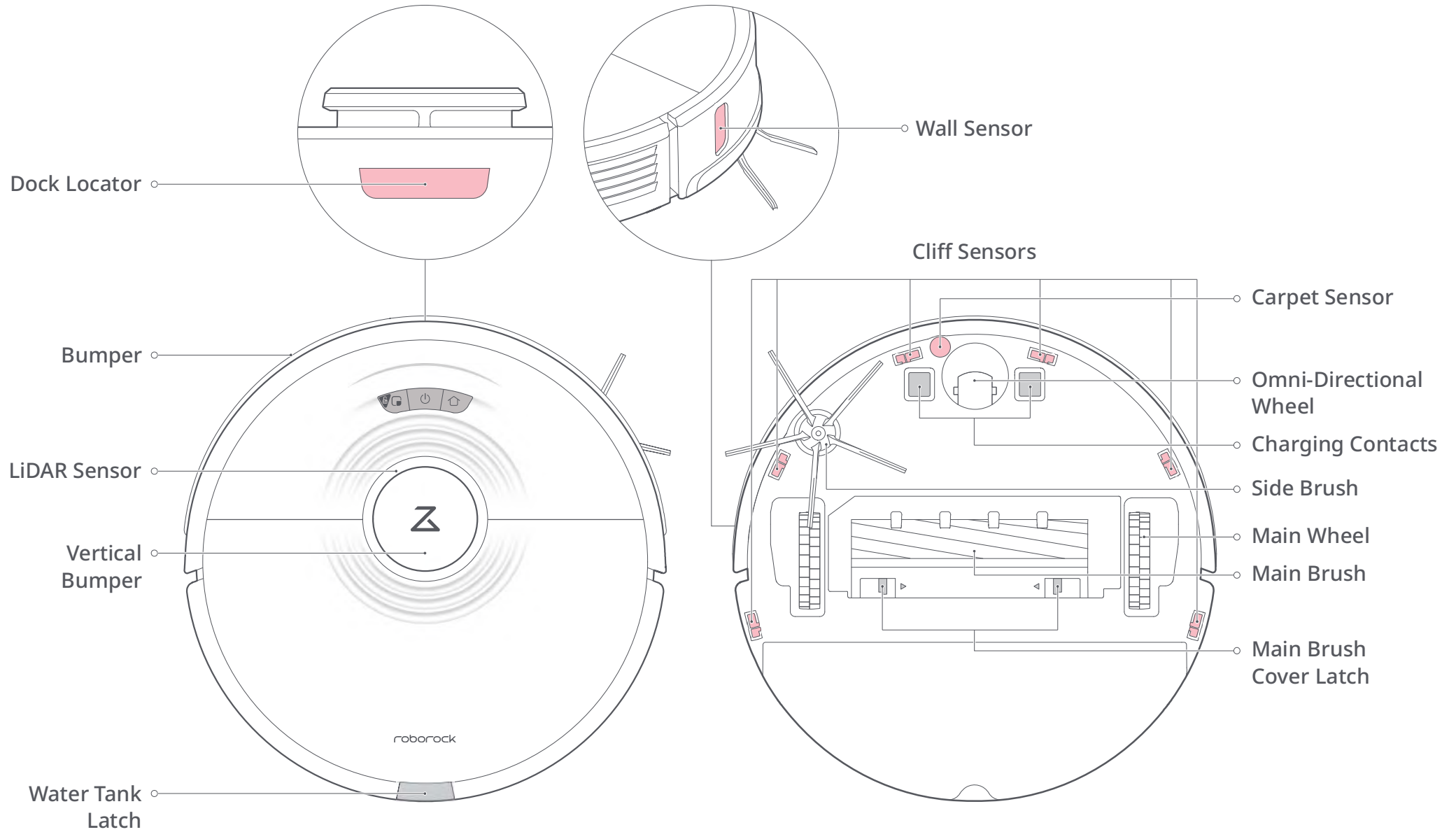


## Dustbin



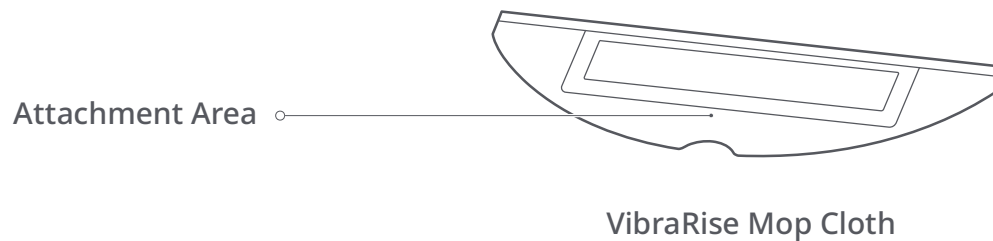
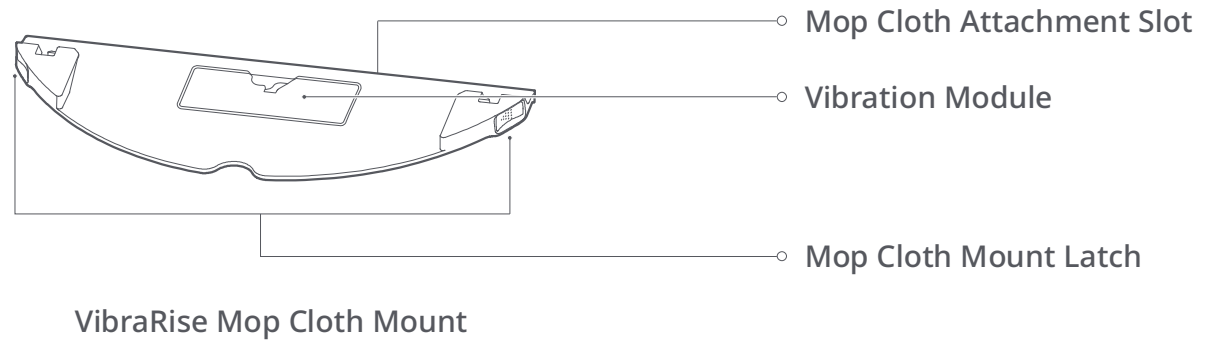
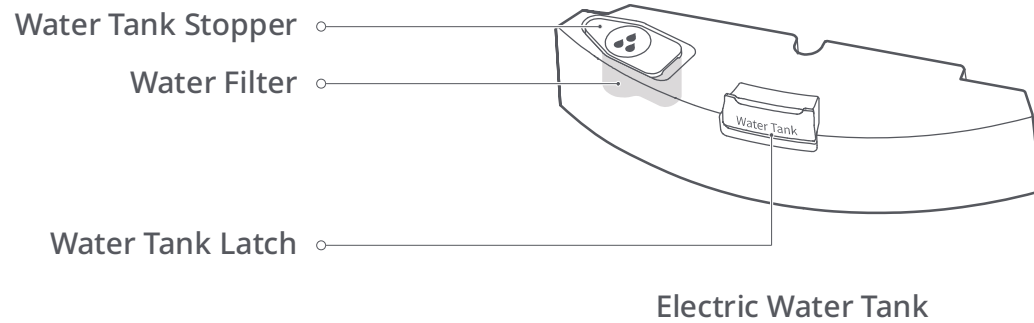
# Product Overview

## Robot and Sensors



# Product Overview

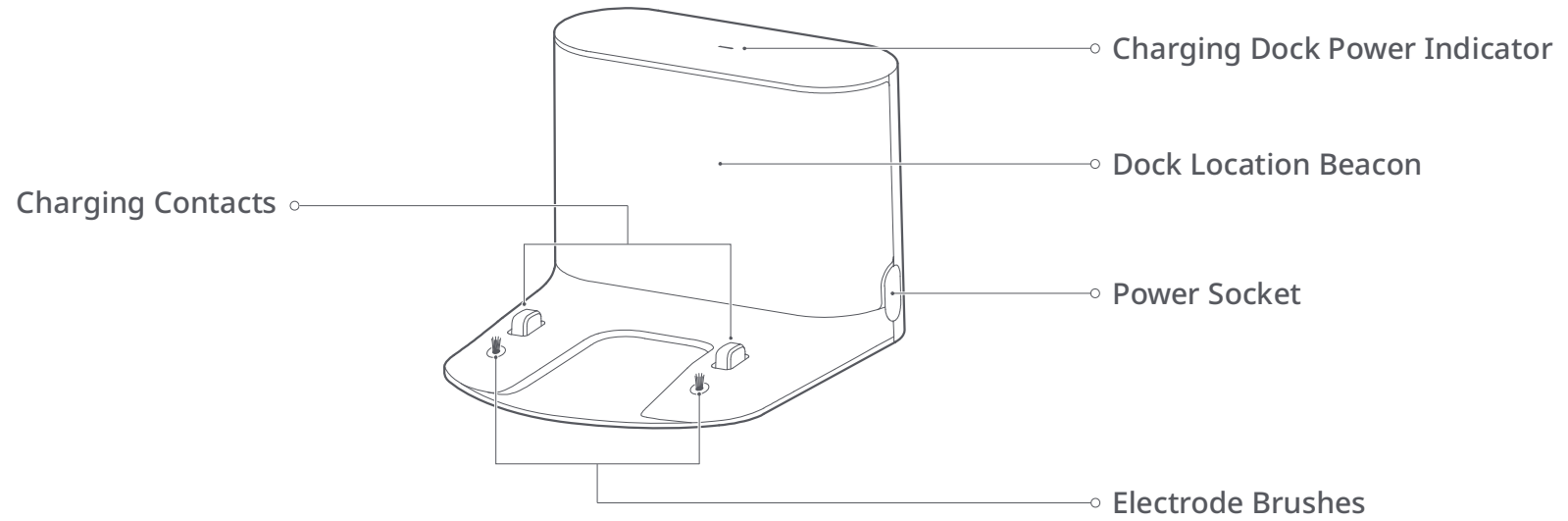
## VibraRise Module





# Product Overview

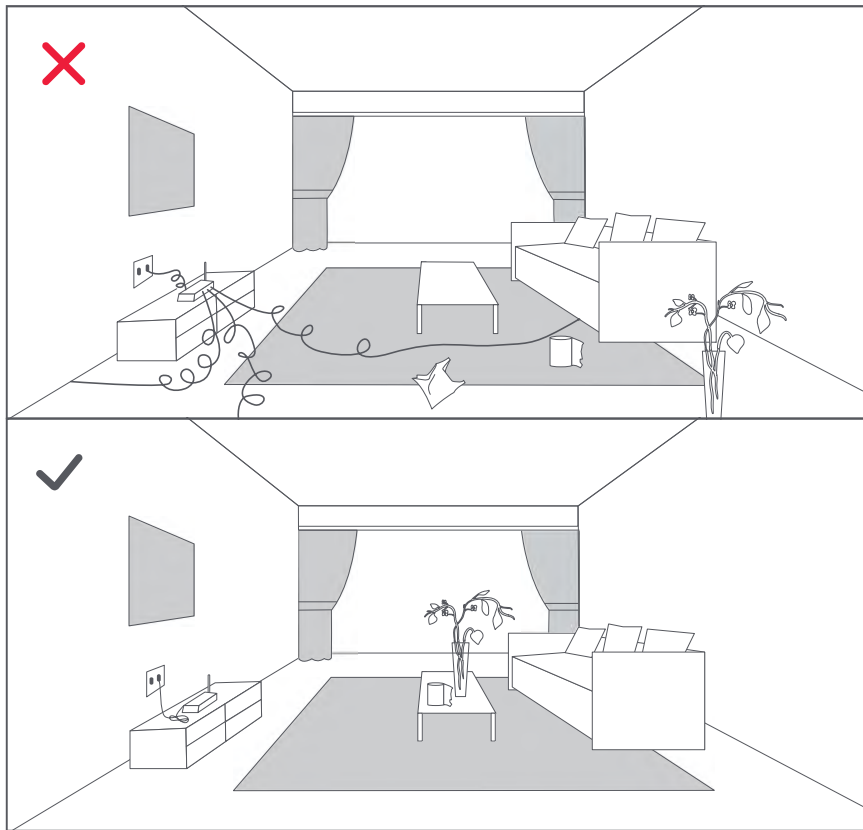
## Charging Dock



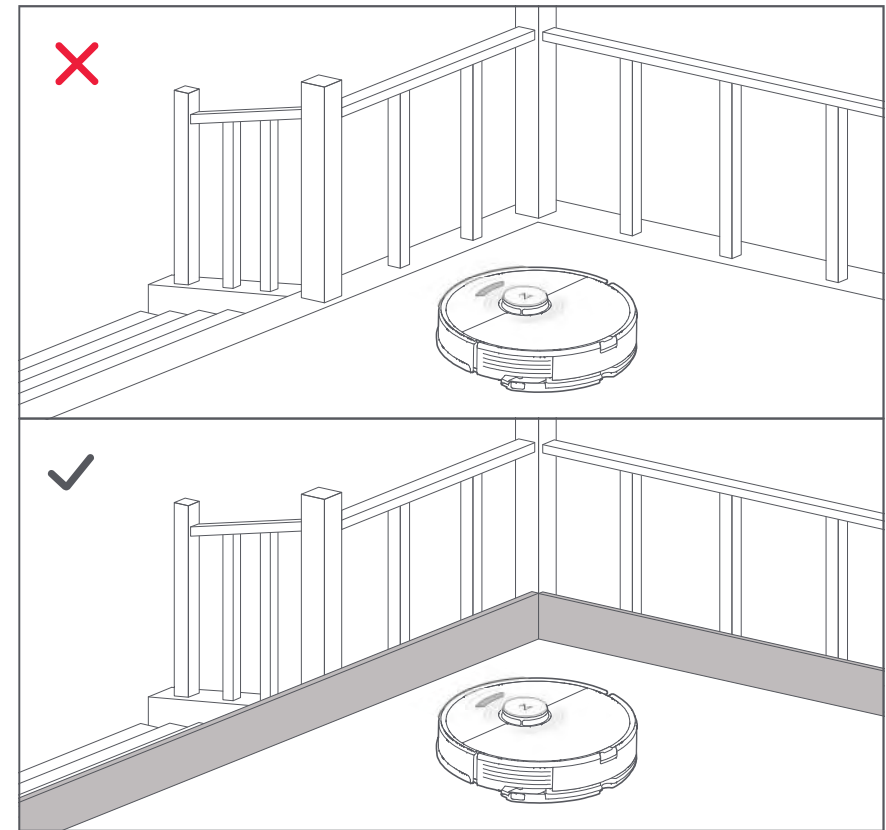
# Installation

## Important

1. Tidy cables and loose items from the ground and move any unstable, fragile, precious, or dangerous objects to prevent personal injury or property damage due to things becoming tangled in, struck by, or knocked over by the robot.



2. If using this robot in a raised area, always use a secure physical barrier to prevent accidental falls that may result in personal injury or property damage.

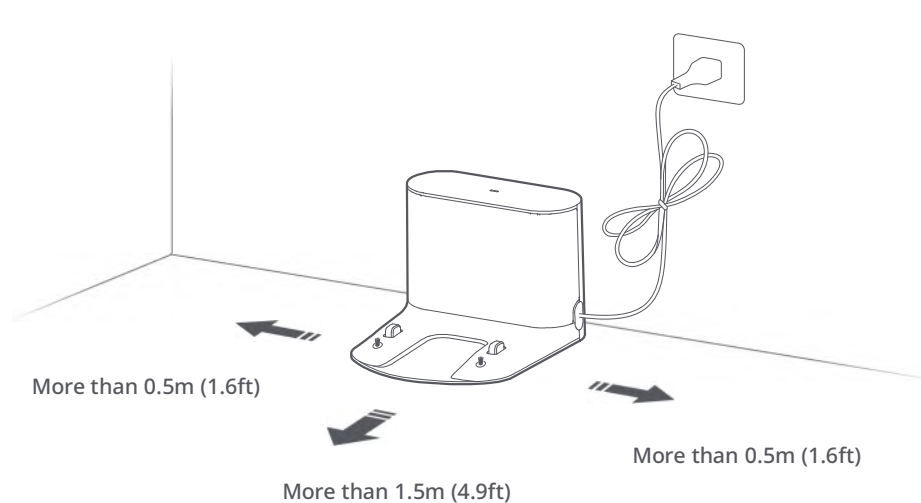


**Note:** When using the robot for the first time, follow it throughout its whole cleaning route and watch for major obstacles. The robot will be able to clean by itself in future uses.

# Installation

## 1 Position the charging dock

Keep the Charging Dock on a level surface, flat against a wall. Connect the power cable to the Charging Dock and tidy cables from the floor. To ensure a better user experience of the mobile app, place the Charging Dock in an area with good WiFi coverage.

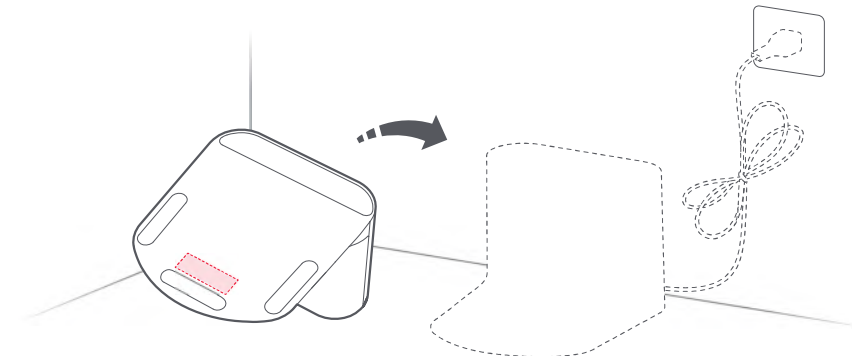


### Note:

- Allow at least 0.5m (1.6ft) of clearance on each side, and more than 1.5m (4.9ft) in front of the Charging Dock.
- If the power cable hangs vertical to the ground, it may be caught by the robot, causing the Charging Dock to be disconnected.
- The Charging Dock indicator is on when the Charging Dock is electrified, and off when the robot is charging.
- Do not place the Charging Dock in places that are directly exposed to sunlight, and do not block the Location Beacon. Otherwise the robot may not be able to automatically return to the Charging Dock.
- Use double-sided tape to stick the Charging Dock down.

## 2 Secure the charging dock with the adhesive tape

Wipe the floor of the area where the charging dock will be placed with a dry cloth, then secure the dock in place using double-sided tape at the bottom of the dock.




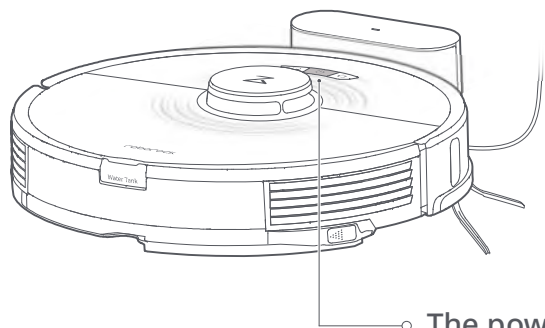
### Note:

- Use of the double-sided tape to secure the charging dock is optional.
- When necessary, remove the double-sided adhesive tape slowly to reduce residue glue.

# Installation

## 3 Power on and charge the robot

Press and hold the  button to power on the robot. When the power light goes on, place it on the dock to charge. To maintain the performance of the high-performance lithium-ion rechargeable battery pack, keep the robot charged.



The power indicator color indicates the battery level:

- White: Battery level  $\geq$  20%
- Red: Battery level  $<$  20%

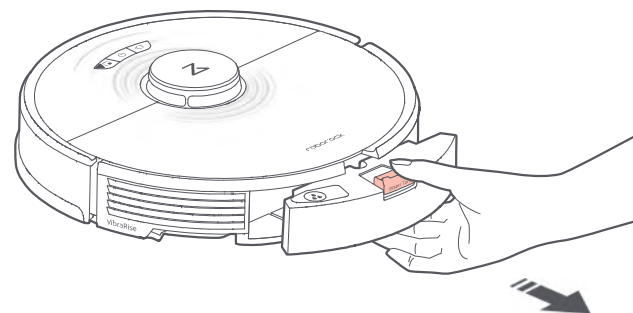
**Note:** The robot may not turn on when the battery is low. In this case, place the robot directly onto the dock to charge.

## 4 Mopping the floor

**Note:** To prevent excessive buildup of dirt on the mop, floors should be vacuumed at least three times before the first mopping cycle.

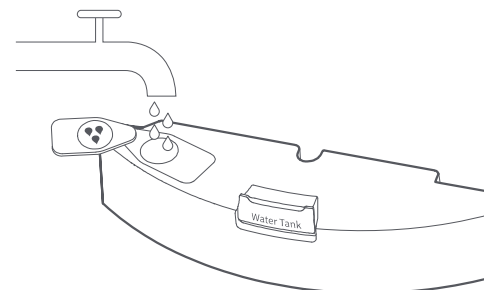
### 1. Remove the water tank

Release the water tank latch and slide the tank backward.



### 2. Fill the water tank

Open the water tank, fill it with water, and close it tightly.



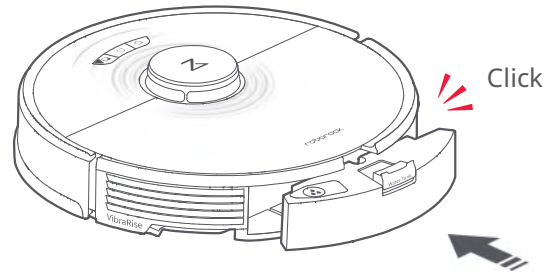
**Note:**

- Fill with water only. Cleaning fluids and/or disinfectants may corrode the water tank.
- Use cold/room temperature water only. Hot water may cause water tank deformation.

# Installation

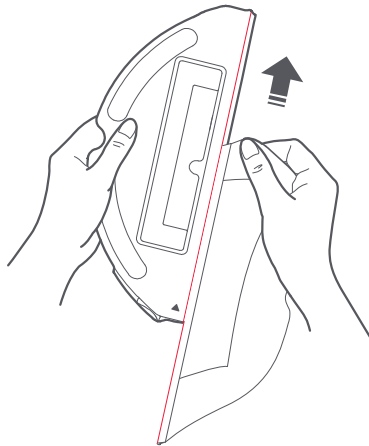
## 3. Reinstall the water tank

Slide the water tank along the grooves until you hear it click in place.



## 4. Install the VibraRise mop cloth

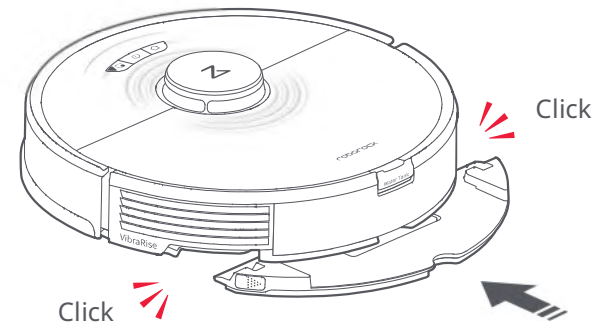
Wet the VibraRise mop cloth and squeeze to remove excess water. Slide it along the attachment slot and stick it firmly in place.



**Note:** Only use the official VibraRise mop cloth with this product.

## 5. Install the VibraRise mop cloth mount

Slide the VibraRise mop cloth mount along the bottom of the water tank until you hear it click in place.

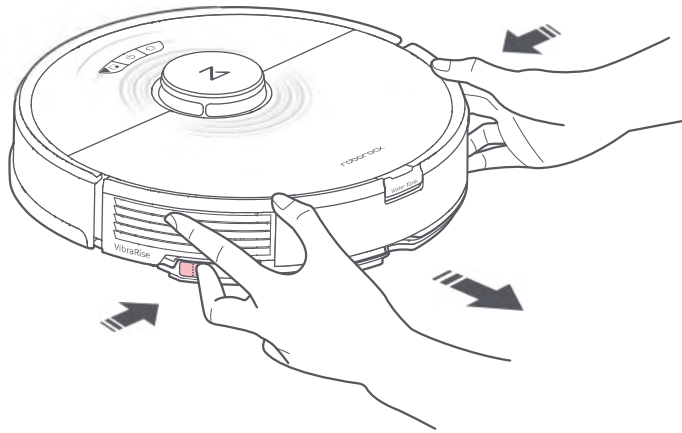


**Note:** Clean the VibraRise mop cloth after 60 minutes of mopping to maintain water flow and cleaning quality.

# Installation

## 6. Remove the VibraRise mop cloth mount

After returning to the dock, remove the VibraRise mop cloth mount by pressing both side latches and sliding back.

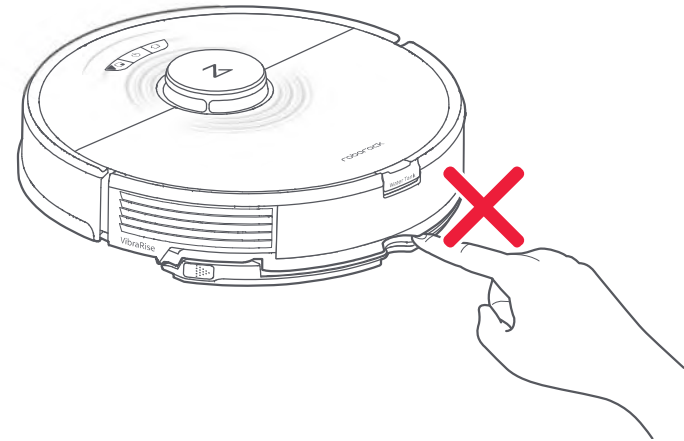


### Note:

- Wash the VibraRise mop cloth after each use, and regularly empty the water tank of unused water.
- Remove the VibraRise mop cloth mount when not mopping. The water tank can be kept in place.

## **WARNING**

Risk of injury. Do not place your finger between VibraRise mop cloth mount and water tank.



# Connect to the App

This robot supports both Roborock and Mi Home apps. Choose the one that best meets your needs.

## ① Download the app

1. Search for “Roborock” in the App Store or Google Play or scan the QR code to download and install the app.





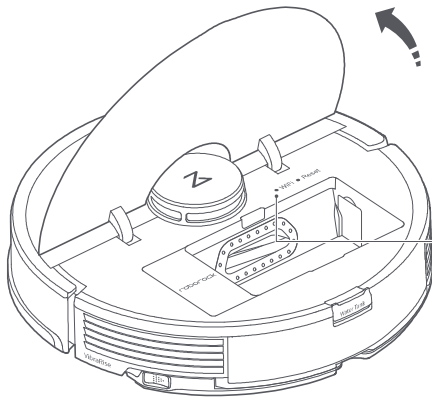
2. Search for “Mi Home” in the App Store or Google Play or scan the QR code to download and install the app.



# Connect to the App

## 2 Reset WiFi

1. Open the upper cover and find the WiFi indicator.
2. Press and hold the  and  buttons until you hear the “Resetting WiFi” voice alert. The reset is complete when the WiFi indicator flashes slowly. The robot will then wait for a connection.



### WiFi indicator light

- Off: WiFi disabled
- Flashing slowly: Waiting for connection
- Flashing quickly: Connecting
- Steady: WiFi connected

**Note:** If you cannot connect to the robot due to your router configuration, a forgotten password, or any other reason, reset the WiFi and add your robot as a new device.

## 3 Add device

On the app homepage, tap “+” in the top right corner and follow the prompts to add a device.



### Note:

- The actual process may vary due to ongoing app updates. Follow the instructions provided in the app.
- Only 2.4GHz WiFi is supported.
- If the robot waits more than 1 hour for a connection, WiFi will be automatically disabled. If you need to reconnect, reset the WiFi before proceeding.




# Instructions

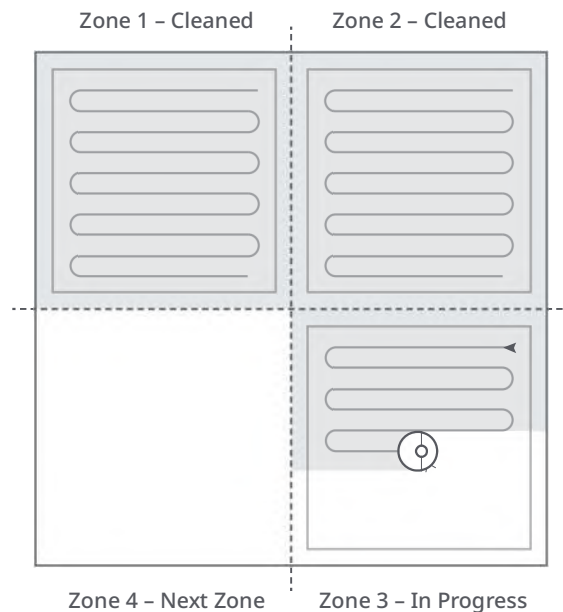
## On/Off

Press and hold the  button to turn on the robot. The power indicator will turn on, and the robot will enter standby mode. Press and hold the  button to turn off the robot and end the current cleaning cycle.

**Note:** The robot cannot be turned off when it is charging.

## Start Cleaning

Press the  button to start cleaning. The robot will plan its route based on its scan of the room. It then splits each room into squares, cleaning the edges of the square first before covering the inside in a zigzag pattern. Afterward, it moves to the next square until every zone in every room has been efficiently covered.



### Note:

- Cleaning cannot start if the battery level is too low. Allow the robot to charge before starting cleanup.
- Before cleaning, tidy cables (including the charging dock power cable) and fragile items from the floor. Loose wires and objects may get caught in the robot, resulting in disconnection or damage to wires and property.
- If cleaning is completed within 10 minutes, the area will be cleaned twice.
- If the battery runs low during the clean, the robot will automatically return to the charging dock to top up and continue where it left off.
- If the VibraRise mop cloth mount is attached, the robot will lift the mount to clean carpeted areas.

## Mode Setting

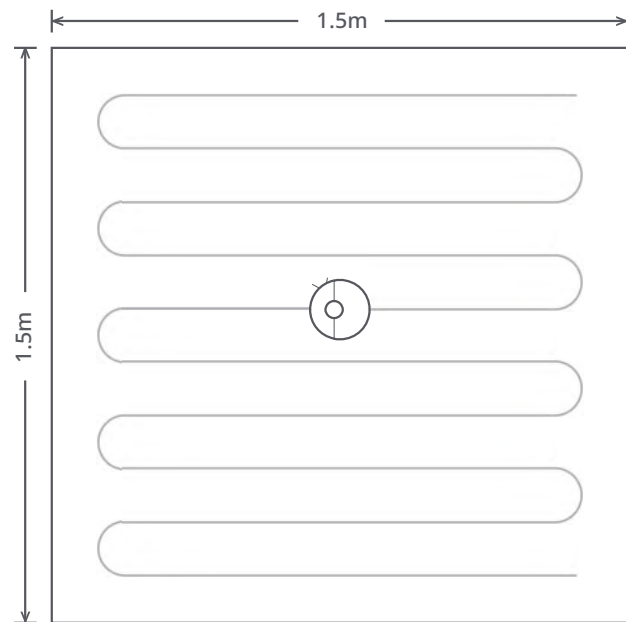
Use the app to adjust suction power and vibration strength.

# Instructions

## Spot Clean



Press  to start Spot cleaning.

Area: 1.5m (4.9ft) square centered on the robot.




**Note:** After spot cleaning, the robot will return to the starting point and enter Standby mode.

## Pause

During a clean, press any button to pause, press  to continue, or press  to send the robot back to the dock.

**Note:** Placing a paused robot on the charging dock will end the current cleanup.

## Refilling the Water Tank or Cleaning the VibraRise Mop Cloth

To add water or clean the VibraRise mop cloth, press any button to stop the robot and remove the mopping module. After adding water or cleaning the VibraRise mop cloth, reinstall the mopping module and press the  button to continue.

## Sleep

If the robot is inactive for over 10 minutes, it will enter the Sleep mode, with its power indicator flashing once every few seconds. Press any button to wake it up.

**Note:**

- The robot will not enter Sleep mode when charging.
- The robot will automatically shut down if left in Sleep mode for more than 12 hours.

## Do Not Disturb (DND) mode


DND mode is enabled by default from 22:00 to 08:00. It can be disabled or customized in the app. In DND mode, cleaning is stopped, voice prompts are silenced, and the power indicator dims.

## Child Lock

With the child lock on, all buttons are locked when the robot is stationary.

# Instructions

## Charging

The robot will return to the charging dock automatically after finishing. If it is paused, press the  button to send it to the charging dock. The power indicator will breathe as the robot charges.

**Note:** If the robot cannot find the charging dock, it will return to the most recent starting location. Place the robot on the charging dock manually to recharge.

## Error

If an error occurs, the power indicator flashes red quickly, and a voice alert sounds. See “Errors” for solutions.

**Note:**


- The robot will automatically enter Sleep mode if left in an error state for over 10 minutes.
- Placing the robot on the charging dock in an error state will stop the current cleanup.

## System Reset

If the robot does not respond to button presses or cannot be turned off, reset the system. The robot will then restart.

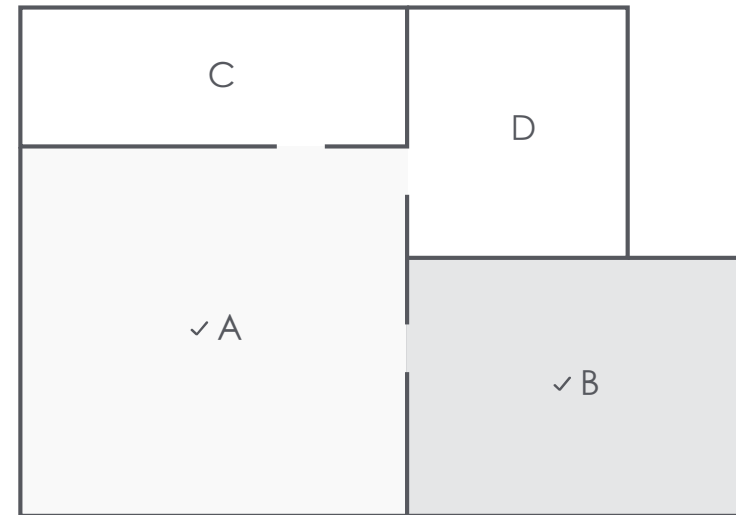
**Note:** After a system reset, cleaning schedules, WiFi, and other settings will be restored to factory settings.

## Restore Factory Settings

If the robot is not functioning after a system reset, turn it on. Press and hold the  button and at the same time press Reset button until you hear the “Restoring the initial version” voice prompt. The robot will then be restored to factory settings.

## Selective Room Cleaning

The robot will clean the areas selected in the app.



**Note:**

- Map Saving mode must be switched on, and a full clean completed before this function can be used.
- The robot may enter unselected areas during cleaning. Clear obstacles from the ground around the selected rooms as the robot may enter these areas.

## Zone Cleaning

The robot will clean the Zone(s) drawn in-app.

**Note:** While cleaning the designated zone, the robot may move outside zone borders. Make sure that there are no cables or obstacles placed close to the cleanup zone.

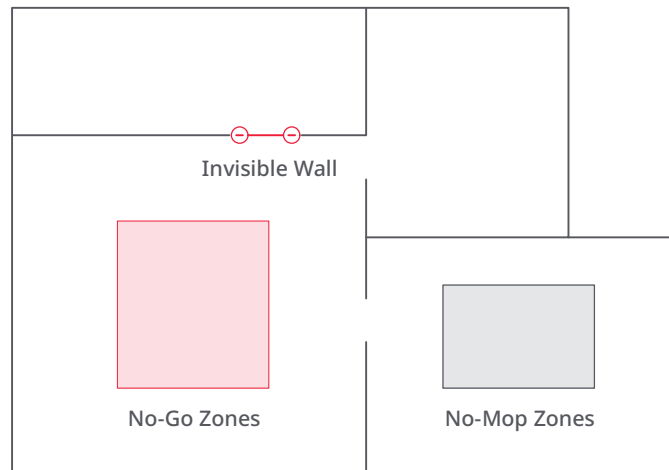
# Instructions

## Scheduled Cleaning

Set cleaning schedules, and at the defined times, the robot will clean and return to the dock.

## No-Go Zones, No-Mop Zones, and Invisible Wall

Use No-Go Zones, and Invisible Wall created in-app to prevent access to certain areas and rooms. By default, No-Mop Zones will activate when the VibraRise mop cloth mount is in place.



### Note:

- Only in-app No-Go Zones and Invisible Wall are supported.
- Map Saving mode must be switched on, and a full clean completed before this function can be used.
- No-Go Zones, No-Mop Zones, and Invisible Wall should only be used to customize the cleaning area. They should not be used to isolate hazards.
- Moving the robot by hand or making significant changes to the environment may cause the loss of No-Go Zones, No-Mop Zones, and Invisible Wall.

## Firmware Updates

Use the app to update the robot firmware. Update when the robot is on the charging dock and has at least 20% battery power. The power indicator will flash white quickly during the update.

## More App Functions

View Robot Status	Carpet Boost
Real-Time Map View	Cleaning History
Map Management	Maintenance Schedule
Customized Cleaning	Adjust Volume

**Note:** Actual app functions and details may differ slightly due to ongoing development and upgrades.

# Routine Maintenance

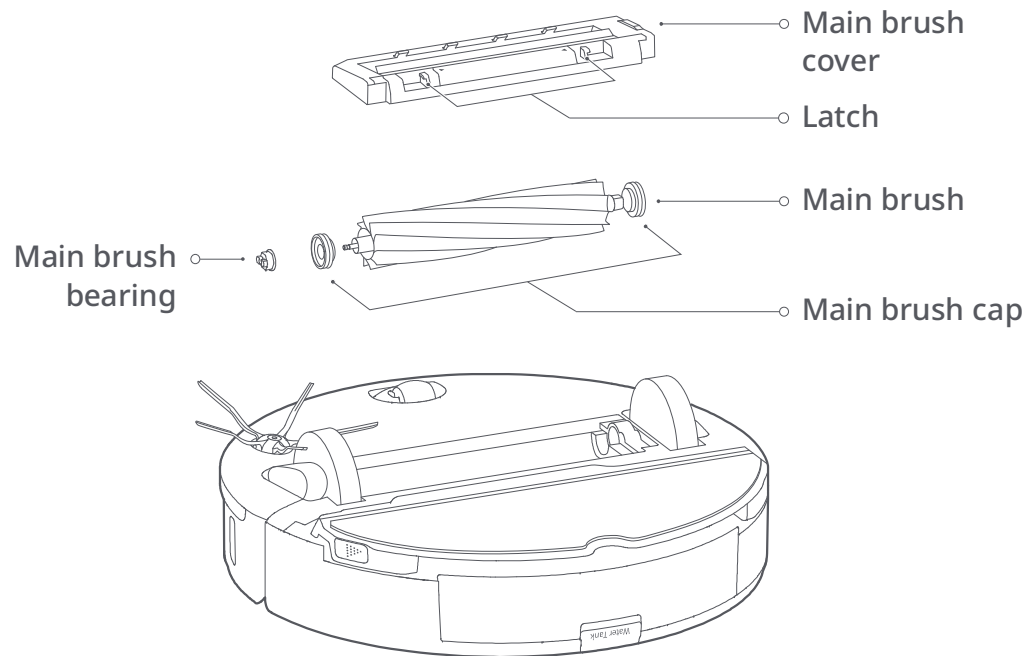
To maintain optimum performance, maintain the robot according to the following guidelines:

Part	Maintenance Frequency	Replacement Frequency	Maintenance Method
Omni-Directional Wheel	As required	/	Use a screwdriver or similar tool to pry out the axles. Rinse, allow to dry and press the wheel back in place.
Main Brush	2 weeks	6-12 months	Rotate the fasteners of the main brush caps in the unlocking direction and take them down. After removing the debris wrapped around the brush, reinstall the main brush caps in the locking direction.
Side Brush	Monthly	3-6 months	Use a screwdriver to unscrew the side brush. Remove any entangled dirt and screw it back in place.
Washable Filter	2 weeks	6-12 months	Remove and rinse, gently tapping to remove any dirt. Air-dry for at least 24h before reuse.
VibraRise Mop Cloth	After each use	3-6 months	Remove and clean the mop cloth after each use.
Charging Contacts (Robot)	Monthly	/	Wipe clean with a soft dry cloth.
Charging Contacts (Charging Dock)	Monthly	/	Wipe clean with a soft dry cloth.
Dock Locator	Monthly	/	Wipe clean with a soft dry cloth.
Cliff Sensors	Monthly	/	Wipe clean with a soft dry cloth.
Carpet Sensor	Monthly	/	Wipe clean with a soft dry cloth.
Main Wheels	Monthly	/	Wipe clean with a soft dry cloth.

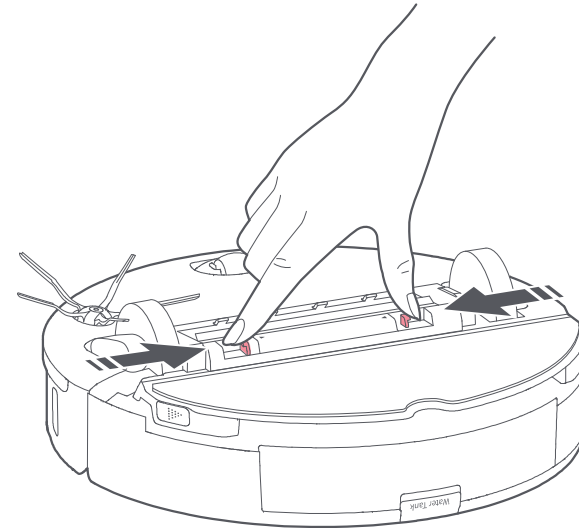
**Note:** Replacement frequency will vary depending on the actual situation. Should abnormal wear and tear occur, replace the relevant part.

# Routine Maintenance

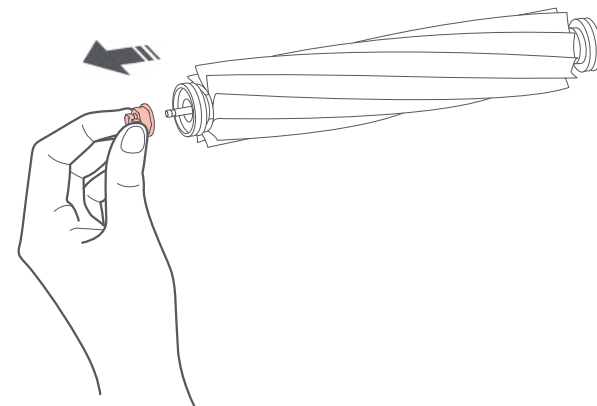
## Main Brush



1. Turn the robot over, then unlatch and remove the main brush cover.

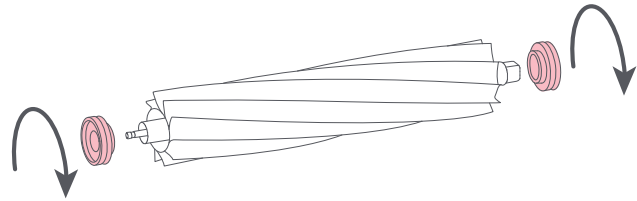


2. Take out the main brush, then remove and clean the bearings.

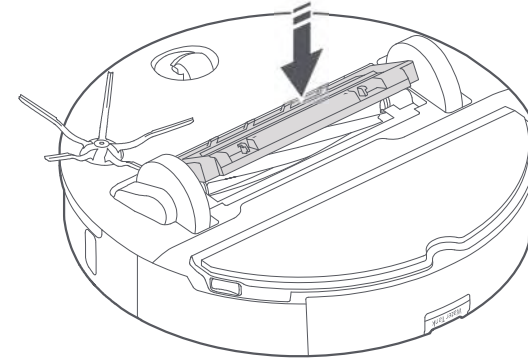
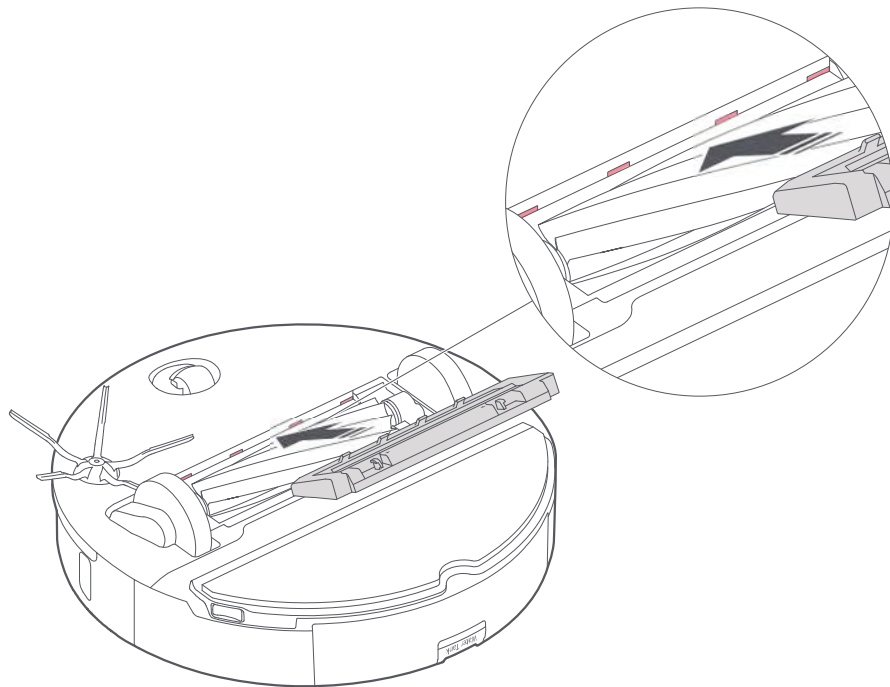


# Routine Maintenance

3. Remove the main brush cap, rotating in the unlock direction. After cleaning, reattach it turning in the lock direction.



4. After removing the tangled hair or dirt at both ends of the main brush, reinstall it, press on the main brush cover to lock it in place.

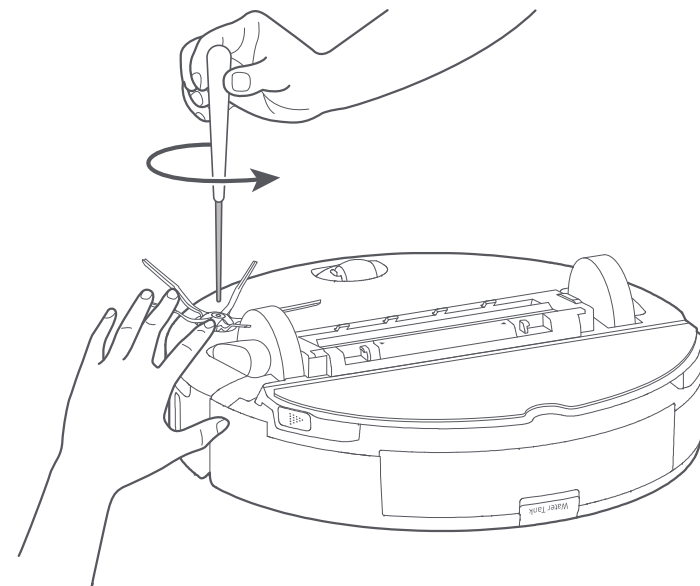


## Note:

- Use a wet cloth to wipe the main brush. Dry thoroughly before use while avoiding direct exposure to the sun.
- Do not use corrosive detergent or disinfectant to clean the main brush.

## Side Brush

1. Unscrew the side brush and remove any entangled dirt.
2. Reinstall and tighten in place.



# Routine Maintenance

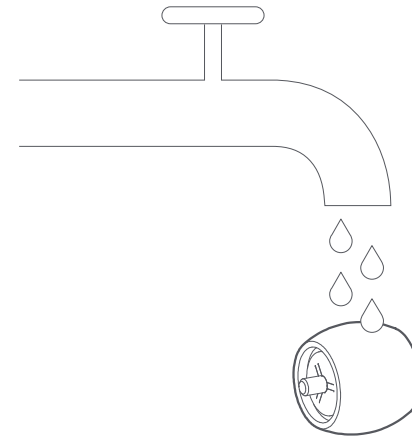
## Omni-Directional Wheel

1. Use a small screwdriver or similar tool to pry out the axles and remove the wheel.



**Note:** The omni-directional wheel bracket cannot be removed.

2. Rinse the wheel and axle to remove any hair or dirt.



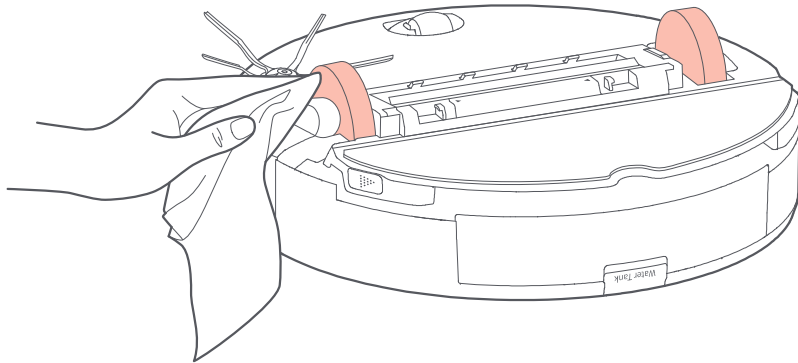
3. Dry and reattach the wheel, pressing it firmly in place.



# Routine Maintenance

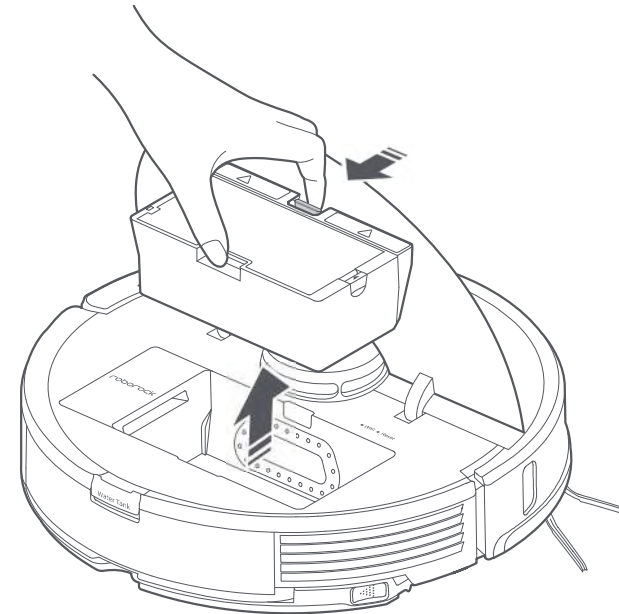
## Main Wheels

Use a soft dry cloth to wipe and clean the main wheels.



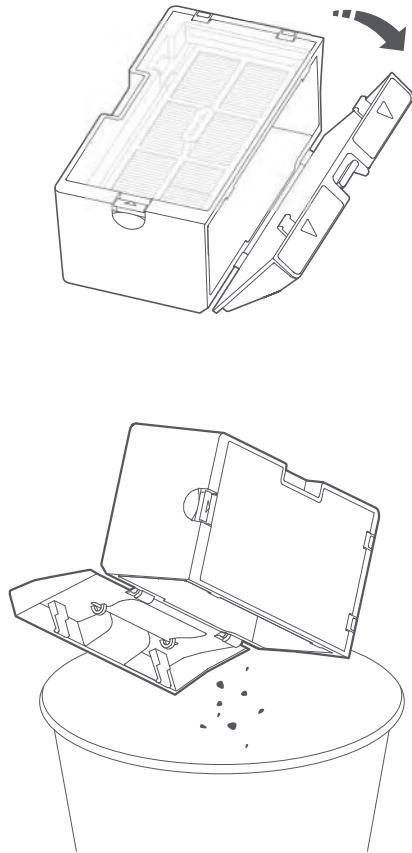
## Dustbin

1. Open the top cover of the robot and remove the dustbin.

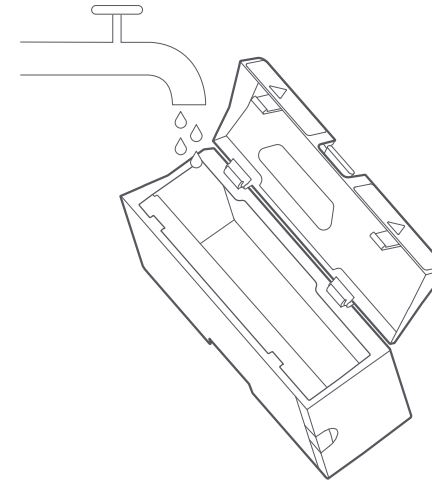


# Routine Maintenance

2. Open the lid and empty the dustbin.

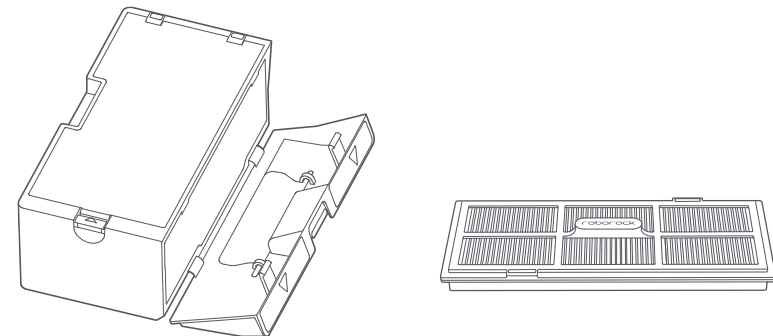


3. Fill it with clean water and close the lid. Gently shake the dustbin, then pour out the dirty water.



**Note:** To prevent blockage, only use fresh water without cleaning liquid.

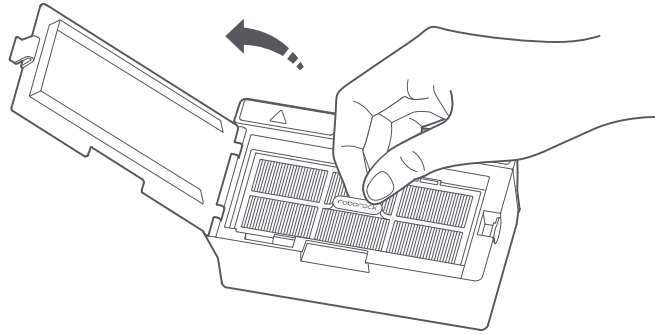
4. Air-dry the dustbin and washable filter.



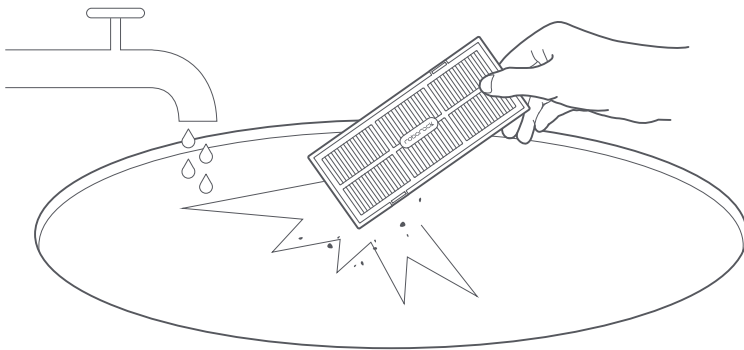
# Routine Maintenance

## Washable Filter

1. Open the filter cover and remove the filter.

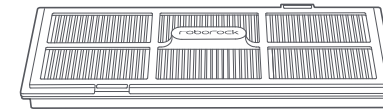


2. Rinse repeatedly and tap the filter frame to remove as much dirt as possible.



**Note:** To avoid damage, do not touch the filter with hands, brushes, or sharp objects.

3. Leave the filter to dry thoroughly before reinstalling it.

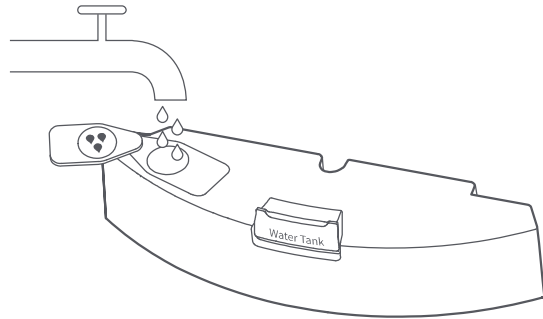


**Note:** Use an alternate filter if necessary.

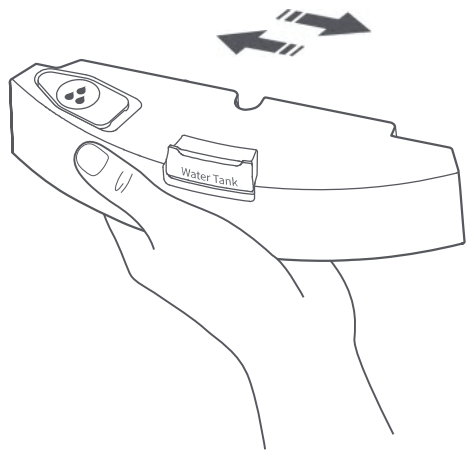
# Routine Maintenance

## Water Tank

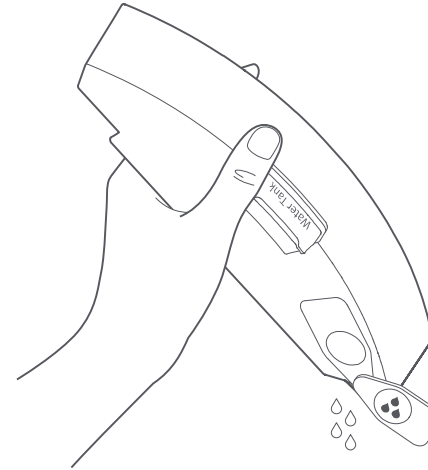
1. Open the water tank and fill it with clean water.



2. Close up the water tank and shake it gently.



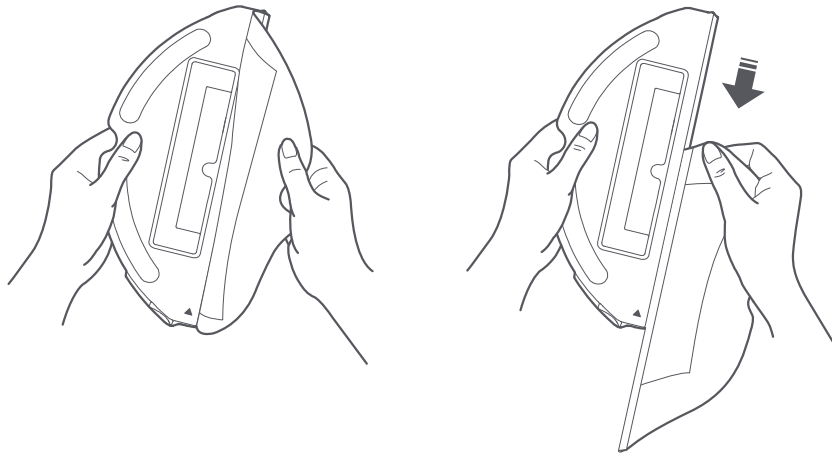
3. Pour out dirty water.



# Routine Maintenance

## VibraRise Mop Cloth

1. Remove the VibraRise mop cloth from the VibraRise mop cloth mount.



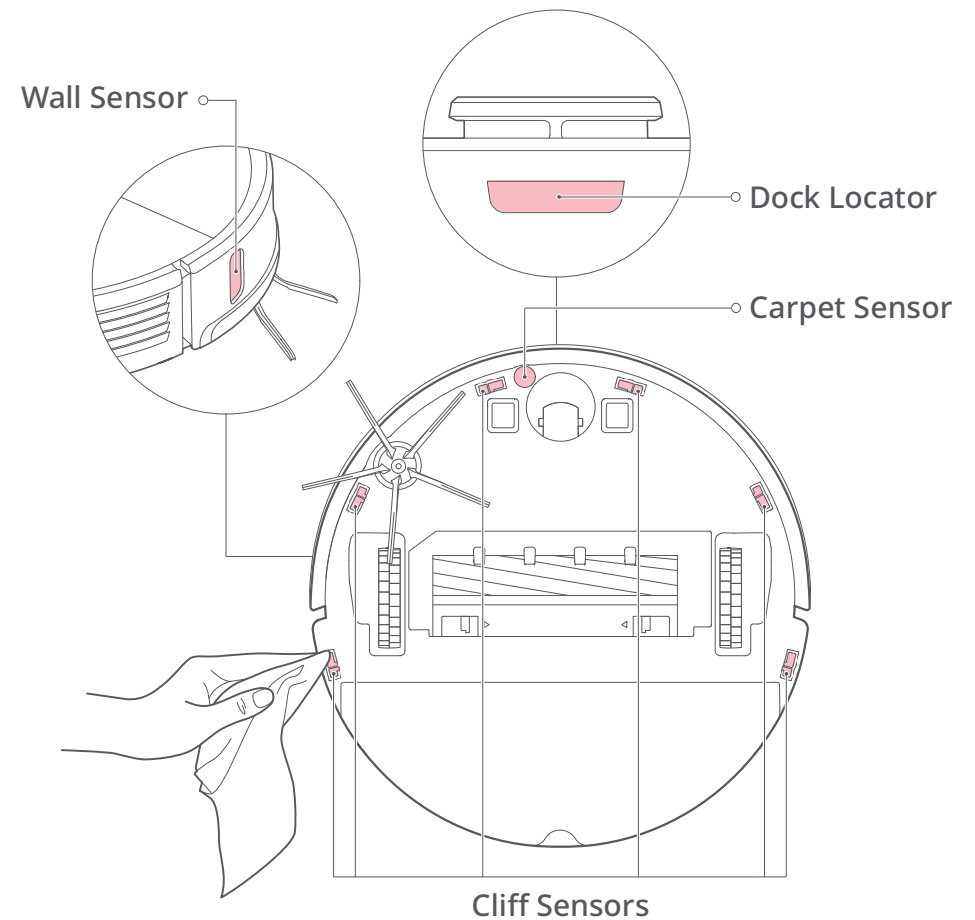
2. Clean the VibraRise mop cloth and air-dry it.

**Note:** A dirty VibraRise mop cloth will affect mopping performance. Always start with a clean cloth.

## Robot Sensors

Use a soft dry cloth to wipe and clean all sensors, including:

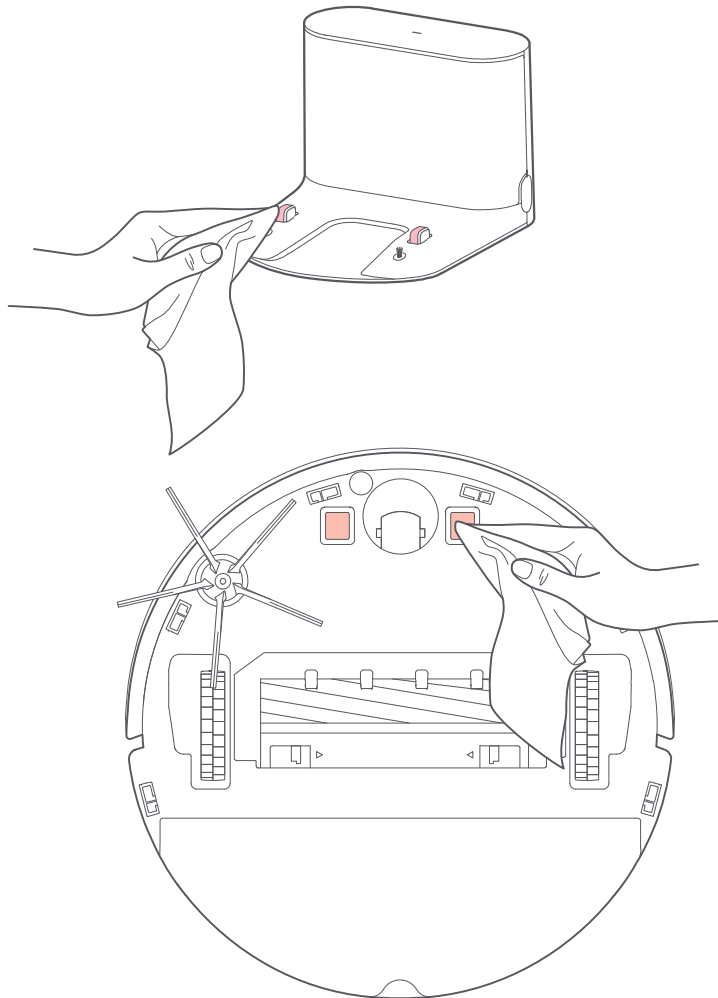
1. The dock locator.
2. The wall sensor.
3. The carpet sensor.
4. The six cliff sensors.



# Routine Maintenance

## Charging Contact Areas

Use a soft dry cloth to wipe the charging contacts on the charging dock and the robot.



## Battery

The robot is equipped with a high-performance lithium-ion rechargeable battery pack. To maintain battery performance, keep the robot charged.

**Note:** If the robot will not be used for an extended period, turn it off and charge it at least every three months to avoid battery damage caused by over-discharging.

# Basic Parameters

## Robot

Model	roborock S7
Dimensions	353×350×96.5mm
Battery	14.4V/5200mAh lithium battery
Weight	Approx. 4.7kg
Wireless Connection	WiFi Smart Connect
Rated Input	20VDC 1.2A
Charging Time	< 6 hours

**Note:** The serial number is on a sticker on the underside of the robot.

## Charging Dock

Model	CDZ11RR or CDZ12RR
Dimensions	151×130×98mm
Rated Power	28W
Rated Input	100-240VAC
Rated Output	20VDC 1.2A
Rated Frequency	50-60Hz
Charging Battery	14.4V/5200mAh lithium battery

# Errors

If an error occurs while the robot is cleaning, the power indicator will flash red quickly, and a voice alert will sound. Refer to the following table for troubleshooting.

1. After resolving any of the following errors, relocate your robot and restart cleaning.
2. After any sensor errors, clean the sensor and retry.
3. If the battery is at an abnormal temperature, wait for it to return to normal before use.

---

**Error 1:** LiDAR turret or laser blocked. Check for obstruction and retry.

---

**Error 2:** Bumper stuck. Clean it and lightly tap to release it.

---

**Error 3:** Wheels suspended. Move robot and restart.

---

**Error 4:** Cliff sensor error. Clean cliff sensors, move robot away from drops and restart.

---

**Error 5:** Main brush jammed. Clean main brush and bearings.

---

**Error 6:** Side brush jammed. Remove and clean side brush.

---

**Error 7:** Wheels jammed. Move the robot and restart.

---

**Error 8:** Robot trapped. Clear obstacles surrounding robot.

---

**Error 9:** No dustbin. Install dustbin and filter.

---

**Error 12:** Low battery. Recharge and retry.

---

**Error 13:** Charging error. Clean charging contacts and retry.

---

**Error 14:** Battery error.

---

**Error 15:** Wall sensor dirty. Clean wall sensor.

---



# Errors

---

**Error 16:** Robot tilted. Move to level ground and restart.

---

**Error 17:** Side brush error. Reset robot.

---

**Error 18:** Fan error. Reset robot.

---

**Error 21:** Vertical bumper pressed. Move robot and retry.

---

**Error 22:** Dock locator error. Clean and retry .

---

**Error 23:** Could not return to dock. Clean dock location beacon and retry.

---

**Error 27:** VibraRise system jammed. Check for obstructions.

---

**Error 28:** Robot on carpet. Move robot to floor and retry.

---

Filter blocked or wet. Clean, dry, and retry.

---

No-go zone or Invisible Wall detected. Move robot from this area.

---

Cannot cross carpet. Move robot across carpet and restart.

---

Internal error. Reset the robot.

---

**Note:** A system reset may resolve some problems.

If the problem persists after using the recommendations in the table above, please email our after-sales service team:

US/Non-Europe Support: [support@roborock.com](mailto:support@roborock.com)

Europe Support: [support@roborock-eu.com](mailto:support@roborock-eu.com)

# Common Issues

Problem	Solution
Unable to power on	<ul style="list-style-type: none"><li>• The battery level is low. Put the robot on the charging dock and charge it before use.</li><li>• The battery temperature is too low or too high. Only use the robot within the range of 4-40°C (39-104°F).</li></ul>
Unable to charge	<ul style="list-style-type: none"><li>• Check the power indicator light turns on and both ends of the power cable are properly connected.</li><li>• If contact is poor, clean the contact areas on the charging dock and the robot.</li></ul>
Slow charging	<ul style="list-style-type: none"><li>• When used at high or low temperatures, the robot will automatically reduce its charging speed to extend battery life.</li><li>• The charging contacts may be dirty. Wipe them with a dry cloth.</li></ul>
Unable to dock	<ul style="list-style-type: none"><li>• There are too many obstacles near the charging dock. Move it to an open area.</li><li>• The robot is too far from the charging dock. Place it closer and retry.</li></ul>
Abnormal behavior	<ul style="list-style-type: none"><li>• Restart the robot.</li></ul>
Noise during cleaning	<ul style="list-style-type: none"><li>• The main brush, side brush, main wheels, or omni-directional wheel may be jammed. Turn off the robot and clean them.</li><li>• VibraRise system abnormal. Check for jammed objects.</li></ul>
Unable to connect to WiFi	<ul style="list-style-type: none"><li>• WiFi is disabled. Reset the WiFi and try again.</li><li>• The WiFi signal is poor. Move the robot to an area with good WiFi reception.</li><li>• Abnormal WiFi connection. Reset the WiFi, download the latest mobile app, and retry.</li><li>• The current Roborock robot is not supported. You can find supported models in the app.</li><li>• Unable to connect to WiFi abruptly. There may be an error with your router settings. Contact Roborock customer service for additional support.</li></ul>

# Common Issues

Problem	Solution
Poor cleaning ability or dust falling out	<ul style="list-style-type: none"><li>• The dustbin is full and needs emptying.</li><li>• The filter is blocked and needs cleaning.</li><li>• The main brush is jammed and needs cleaning.</li></ul>
Scheduled cleaning is not working	<ul style="list-style-type: none"><li>• Keep the robot charged. Scheduled cleaning can only begin when the battery level is above 20%.</li></ul>
Is power always being drawn when the robot is on the charging dock?	<ul style="list-style-type: none"><li>• The robot will draw power while it is docked to maintain battery performance, but power consumption is minimal.</li></ul>
Does the robot need to be charged for at least 16 hours the first three times it is used?	<ul style="list-style-type: none"><li>• No. The robot can be used any time after it has been fully charged.</li></ul>
No or little water during mopping	<ul style="list-style-type: none"><li>• Check whether there is water in the water tank and use the mobile app to set the scrub intensity or check the manual for full instructions on how to correctly install the mop cloth and mop cloth mount.</li></ul>
Cleaning does not resume after recharging	<ul style="list-style-type: none"><li>• Make sure that the robot is not in DND mode. DND mode will prevent cleanup. When cleaning a space requiring a top-up charge, if the robot was placed manually on the charging dock before it returned to the dock automatically, it will not be able to continue cleanup.</li></ul>
The robot cannot return to the charging dock after Spot cleaning or when it has been moved manually	<ul style="list-style-type: none"><li>• After spot cleaning or a significant position change, the robot will re-generate the map. If the charging dock is too far away, it may not be able to return to recharge and must be placed on the charging dock manually.</li></ul>
The robot has begun to miss certain spots	<ul style="list-style-type: none"><li>• The wall sensor or cliff sensors may be dirty. Wipe them with a soft dry cloth.</li></ul>
It takes a long time to fill the water tank	<ul style="list-style-type: none"><li>• The filter may be blocked and need cleaning.</li></ul>



# **Roborock S7 Manuel d'utilisation de l'aspirateur robot**

Lisez attentivement ce manuel d'utilisation avant d'utiliser le produit et rangez-le soigneusement pour référence future.

## **Français**

# Contenu

047	Consignes de sécurité
050	Déclaration FCC/IC
052	Batterie et rechargement
053	Fonction d'économie d'énergie de vacances
054	Présentation du produit
060	Installation
065	Se connecter à l'application
067	Instructions
071	Entretien de routine
081	Paramètres de base
082	Erreurs
084	Problèmes courants

# Consignes de sécurité

## IMPORTANTES MESURES DE SÉCURITÉ

L'utilisation d'un appareil électrique demande certaines précautions, dont les suivantes: LIRE TOUTES LES INSTRUCTIONS AVANT D'UTILISER (CET APPAREIL) Le non-respect des mises en garde et des instructions peut causer des chocs électriques, des incendies et/ou des blessures graves.

## AVERTISSEMENT

Pour réduire le risque d'incendie, de chocs électriques ou de blessures :

- Ne pas utiliser à l'extérieur et ne pas aspirer des déchets humides.
- Ne pas laisser les enfants jouer avec l'appareil ou s'en servir sans surveillance. Redoubler d'attention s'il y a des enfants à proximité lorsqu'on utilise l'appareil.
- Utiliser l'appareil en respectant les consignes de cette notice d'emploi et n'utiliser que les accessoires recommandés par le fabricant.
- Ne pas utiliser l'appareil si le cordon ou la fiche est endommagé. Retourner l'appareil à un atelier de réparation s'il ne fonctionne pas normalement, s'il a été échappé, s'il est endommagé, s'il a été oublié à l'extérieur ou immergé.
- Le cordon ne doit pas être utilisé comme une poignée ou pour tirer, traîner ou soulever l'appareil. Ne pas faire passer l'appareil sur le cordon ; ne pas coincer le cordon dans l'embrasure en refermant les portes ni tirer dessus à l'angle d'un mur ou d'une autre arête vive et le tenir à distance des surfaces chaudes.
- Ne faites pas passer l'appareil sur le cordon. Garder le cordon éloigné des surfaces chauffées.
- Ne pas tirer sur le cordon pour débrancher l'appareil; tirer plutôt sur la fiche.
- Ne pas toucher la fiche du cordon ou l'appareil avec les mains humides.
- Ne pas insérer d'objet dans une ouverture quelconque de l'appareil. Ne pas utiliser l'appareil lorsqu'une ouverture est bloquée et enlever la poussière, la peluche, les cheveux, etc., qui peuvent gêner le débit d'air.
- Veiller à bien se garder – doigts, cheveux, vêtements amples – à distance des ouvertures et des pièces mobiles.
- Ne pas se servir de l'appareil pour aspirer des liquides combustibles ou inflammables comme de l'essence ou dans un endroit où il peut y avoir de tels liquides.

# Consignes de sécurité

- Ne pas aspirer de matières en combustion ou qui dégagent de la fumée, comme des cigarettes, des allumettes ou des cendres chaudes.
- Ne pas utiliser l'appareil sans filtre ou sans sac à poussière.
- Confier les réparations à une personne qualifiée qui utilisera uniquement des pièces de remplacement identiques. Cette façon de faire garantira la sécurité du produit.
- Éviter une mise en marche accidentelle. S'assurer que l'interrupteur est à la position arrêt avant de raccorder la batterie, de lever ou de déplacer l'appareil. Transporter l'appareil en gardant un doigt sur l'interrupteur, ou mettre sous tension un appareil dont l'interrupteur est à la position marche peut causer un accident.
- Utilisez uniquement l'appareil avec le chargeur Roborock CDZ11RR ou CDZ12RR. Recharger uniquement avec le chargeur prescrit par le fabricant. Un chargeur convenant à un type de batterie peut présenter un risque d'incendie lorsqu'il est utilisé avec une autre batterie.
- Utiliser uniquement les batteries recommandées pour l'appareil. L'utilisation d'autres types de batteries peut présenter un risque de blessure ou d'incendie.
- Éteignez l'appareil avant d'effectuer des modifications, de changer d'accessoires ou de ranger l'appareil. Ces mesures de sécurité préventives réduisent le risque de démarrage accidentel de l'appareil.
- Lorsque l'appareil n'est pas utilisé, tenir la batterie loin d'objets métalliques comme des trombones, des pièces de monnaie, des clés, des clous, des vis ou autres petits objets qui pourraient établir une liaison entre les bornes. Un court-circuit des bornes des batteries peut causer des brûlures ou un incendie.
- En condition d'usage abusif, du liquide peut s'échapper de la batterie ; éviter tout contact avec ce liquide. En cas de contact accidentel, rincer abondamment avec de l'eau. En cas de contact avec les yeux, consulter également un médecin. Le liquide projeté peut causer des irritations ou des brûlures.
- Ne pas utiliser une batterie ou un appareil endommagé ou qui a été modifié. Des batteries endommagées ou modifiées peuvent avoir un comportement imprévisible pouvant causer un incendie, une explosion ou un risque de blessure.
- Ne pas exposer une batterie ou un appareil à la flamme ou à des températures excessives. L'exposition à une flamme ou à des températures supérieures à 130 °C peut causer une explosion.
- Respecter toutes les instructions de chargement et ne pas charger la batterie ou l'appareil à des températures qui ne sont pas incluses dans la gamme de températures indiquées dans la notice d'instructions. Une charge incorrecte ou à des températures en dehors de la plage spécifiée risque d'endommager la batterie et augmente le risque d'incendie.



# Consignes de sécurité

- Ne pas modifier ni tenter de réparer l'appareil ou la batterie (selon le cas) sauf comme il est indiqué dans les instructions d'utilisation et d'entretien.
- Ne modifiez pas et n'essayez pas de réparer l'appareil ou la batterie, sauf dans les cas indiqués dans les instructions d'utilisation et d'entretien.
- Placez les cordons des autres appareils hors de la zone à nettoyer.
- N'utilisez pas l'aspirateur dans une pièce où dort un bébé ou un enfant.
- N'utilisez pas l'aspirateur dans une zone avec des bougies allumées ou des objets fragiles sur le sol à aspirer.
- N'utilisez pas l'aspirateur dans une pièce où des bougies allumées se trouvent sur des meubles que l'aspirateur pourrait bousculer ou heurter accidentellement.
- Ne laissez pas les enfants s'asseoir sur l'aspirateur.
- Risque de blessure. La brosse peut démarrer de manière inattendue. Déconnectez la brosse principale avant le nettoyage ou la réparation.
- N'utilisez pas le produit lorsqu'il fait plus de 40 °C (104 °F) ou moins de 4 °C (39 °F), ou lorsqu'il y a du liquide ou une substance collante sur le sol.

## CONSERVEZ CES INSTRUCTIONS

Usage domestique uniquement.

## Sécurité laser

Produit laser de classe 1, conforme aux normes 21 CFR 1040.10 et 1040.11 de la FDA, excepté pour ce qui est de la conformité avec la norme CEI 60825-1 3e édition, comme décrit dans l'avis sur le laser n° 56, daté du 8 mai 2019.

# Déclaration FCC/IC

<b>Informations de conformité</b>	
Nom du produit	Robot aspirateur-laveur avec station de rechargement
Modèle du produit :	Modèle du robot aspirateur : roborock S7 Modèle de la station de rechargement : CDZ11RR ou CDZ12RR
Déclaration de conformité	Le présent appareil est conforme aux CNR d'Industrie Canada applicables aux appareils radio exempts de licence. L'exploitation est autorisée aux deux conditions suivantes: (1) l'appareil ne doit pas produire de brouillage; (2) l'utilisateur de l'appareil doit accepter tout brouillage radioélectrique subi, même si le brouillage est susceptible d'en compromettre le fonctionnement.
<b>Coordonnées de la partie responsable aux USA</b>	
Société	Roborock Technology Co.
Adresse	108 West 13th Street, Wilmington, Delaware 19801.
E-mail	support@roborock.com

# Déclaration FCC/IC

## Avertissement

Tout changement ou modification de cet appareil non expressément approuvé par la partie responsable de la conformité peut annuler le droit de l'utilisateur à faire fonctionner l'équipement.

Cet équipement a fait l'objet de tests et respecte les seuils autorisés pour les appareils numériques de Classe B, conformément à la partie 15 des règles de la FCC. Ces limites sont conçues dans le but d'assurer une protection raisonnable contre les interférences nuisibles dans les installations résidentielles. Cet équipement génère, utilise et peut émettre des rayonnements de radiofréquence et, s'il n'est pas installé et employé conformément aux instructions, peut produire des interférences nuisibles avec les transmissions radio. Toutefois, il n'existe aucune garantie que des interférences ne se produiront pas dans une installation donnée. Si cet équipement provoque des interférences nuisibles à la réception de la radio ou de la télévision, ce qui peut être déterminé en éteignant et en rallumant l'équipement, l'utilisateur est encouragé à essayer de corriger les interférences par une ou plusieurs des mesures suivantes :

- Réorientez ou déplacez l'antenne de réception.
- Augmentez la séparation entre l'équipement et le récepteur.
- Connectez l'équipement à une prise sur un circuit différent de celui auquel le récepteur est connecté.
- Consultez le revendeur ou un technicien radio/TV qualifié pour obtenir de l'aide.

## Critères MPE

L'antenne installée doit être située de façon à ce que la population ne puisse être exposée à une distance de moins de 20 cm. Installer l'antenne de façon à ce que le personnel ne puisse approcher à 20 cm ou moins de la position centrale de l'antenne. La FCC des États-Unis stipule que cet appareil doit être en tout temps éloigné d'au moins 20 cm des personnes pendant son fonctionnement.

CAN ICES-3 (B)/NMB-3(B)

# Batterie et rechargement

- Conservez la station de rechargement à l'écart des sources de chaleur (par ex. des radiateurs).
- N'essuyez pas les broches de chargement avec un tissu humide ou si vos mains sont mouillées.
- Éteignez le robot et utilisez l'emballage d'origine pour l'expédition.
- Si vous rangez le robot, chargez-le complètement et éteignez-le avant de le placer dans un endroit frais et sec. Rechargez-le au moins tous les trois mois pour éviter un déchargement excessif de la batterie.
- N'utilisez pas le produit lorsqu'il fait plus de 40 °C (104 °F) ou moins de 4 °C (39 °F), ou lorsqu'il y a du liquide ou une substance collante sur le sol.

Température de charge de la batterie		de 4 °C à 40 °C (de 39 °F à 104 °F)	Courant de charge maximum : 0,5 C
Température de fonctionnement de la batterie		de 4 °C à 40 °C (de 39 °F à 104 °F)	Courant de décharge maximum : 0,5 C
Température de stockage de la batterie	Stockage (1 mois)	de -20 °C à 60 °C (de -4 °F à 140 °F) avec moins de 70 % d'humidité relative	Lorsqu'il est stocké à 25 °C (77 °F), le robot doit être rechargé tous les trois mois.
	Stockage longue durée (3 mois)	de -20 °C à 45°C (de -4 °F à 113°F) avec moins de 70 % d'humidité relative	
	Stockage longue durée (1 an)	de -20 °C à 20°C (de -4 °F à 68°F) avec moins de 70 % d'humidité relative	

# Fonction d'économie d'énergie de vacances

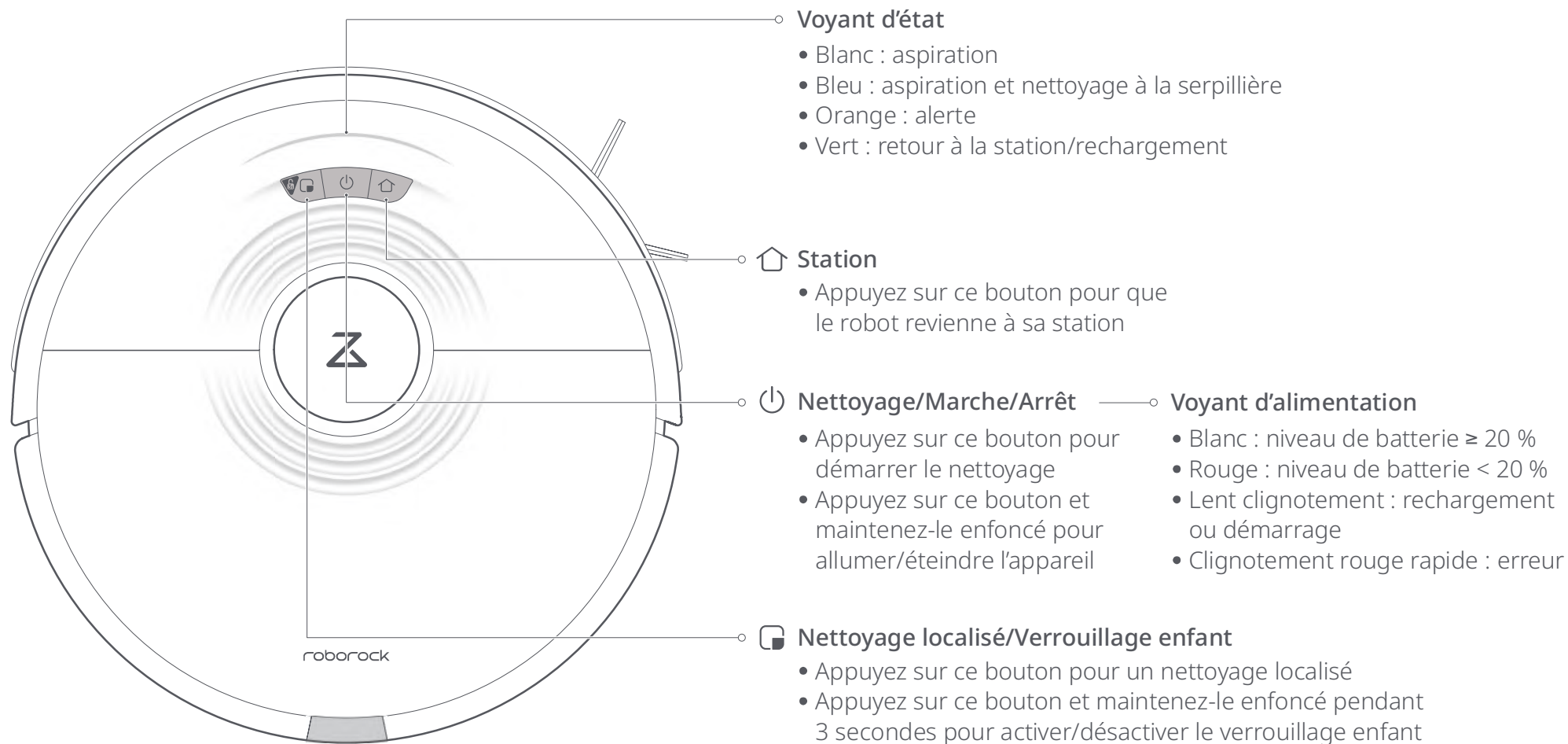
Lorsque le robot se trouve sur sa station, maintenez le bouton « Station » enfoncé pendant 10 secondes ou jusqu'à ce que vous entendiez une alerte sonore. Le mode Vacances sera alors activé.

Dans ce mode, le robot passera en mode de faible consommation pour minimiser la consommation d'énergie. Cela inclut l'atténuation du voyant LED et l'arrêt de toutes les fonctions non liées à la charge, y compris le nettoyage, le contrôle à distance via WiFi, etc.

Pour désactiver le mode Vacances, maintenez le bouton « Station » enfoncé pendant 10 secondes jusqu'à l'augmentation de l'intensité du voyant LED.

# Présentation du produit

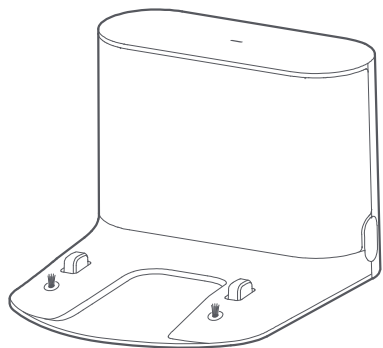
## Robot



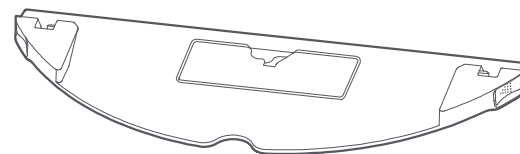
**Remarque :** appuyez sur n'importe quel bouton pour mettre en pause le robot lorsqu'il nettoie ou revient à sa station.

# Présentation du produit

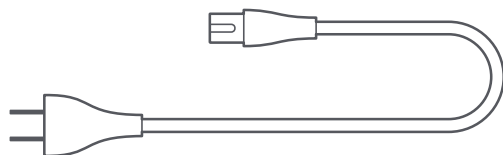
## Liste des pièces



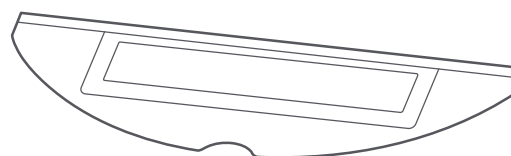
Station de chargement



Support de serpillière VibraRise



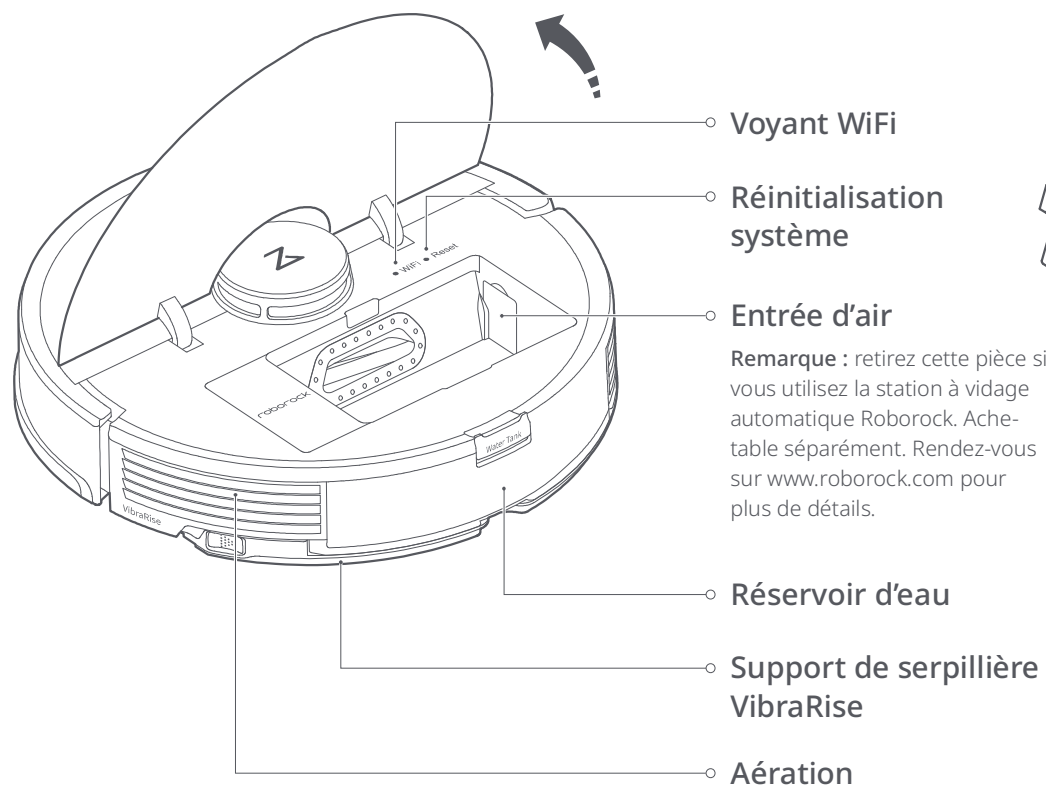
Câble d'alimentation



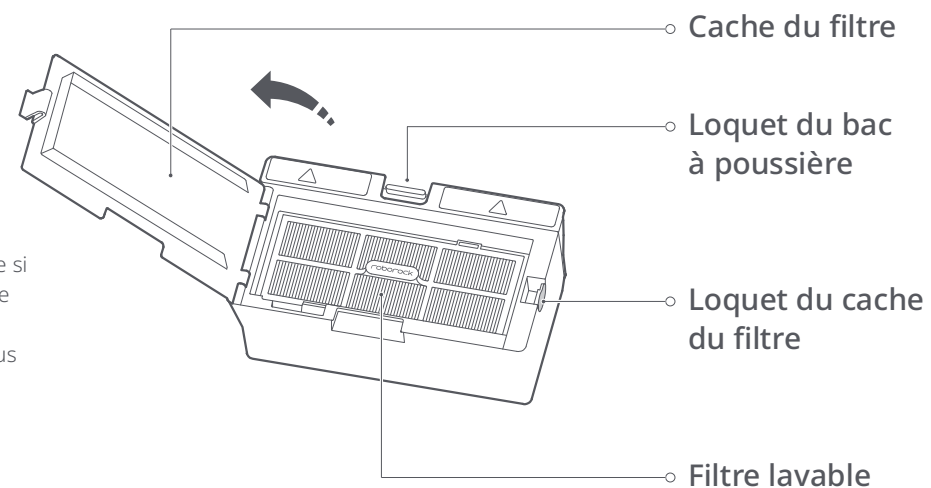
Serpillière VibraRise

# Présentation du produit

## Robot



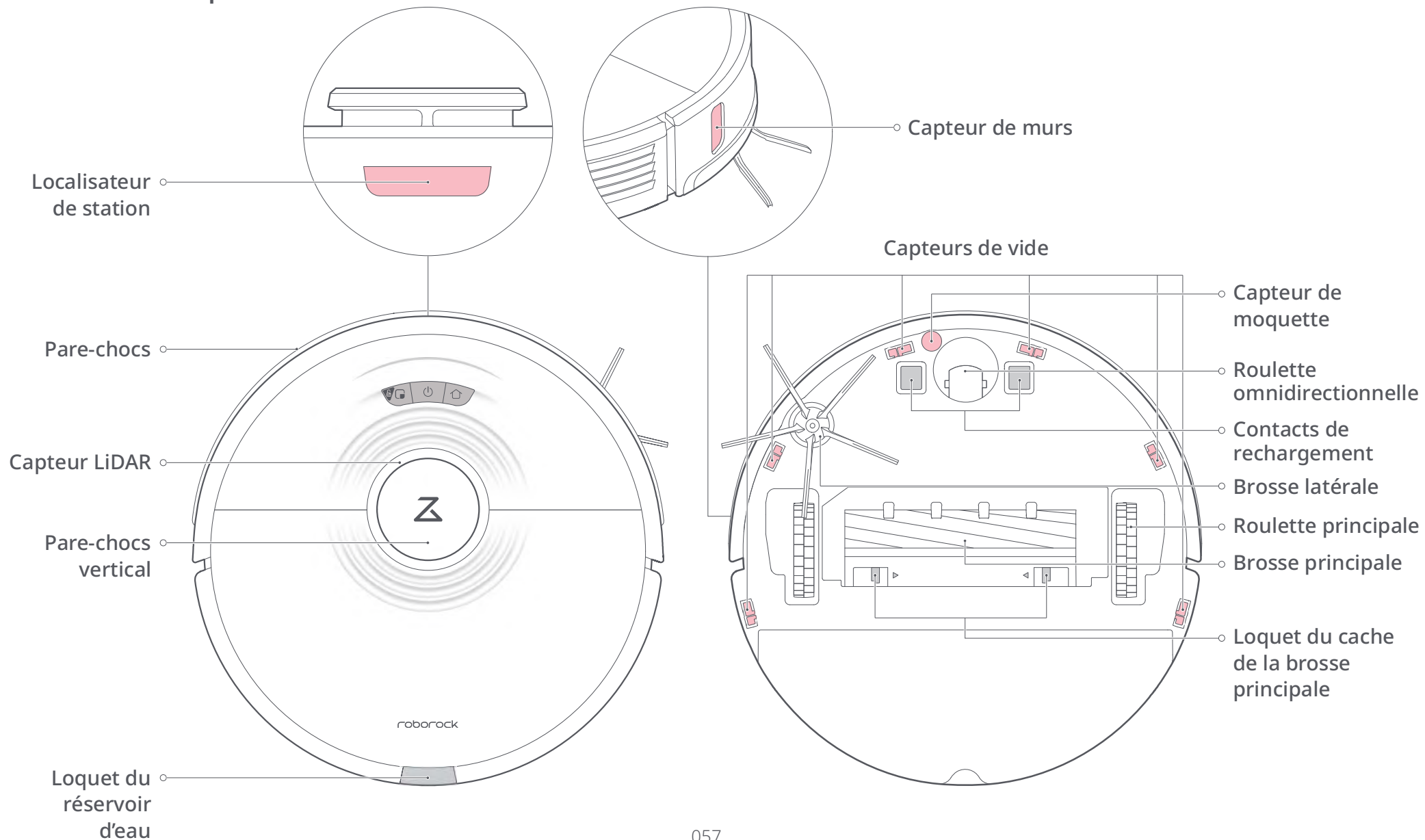
## Bac à poussière





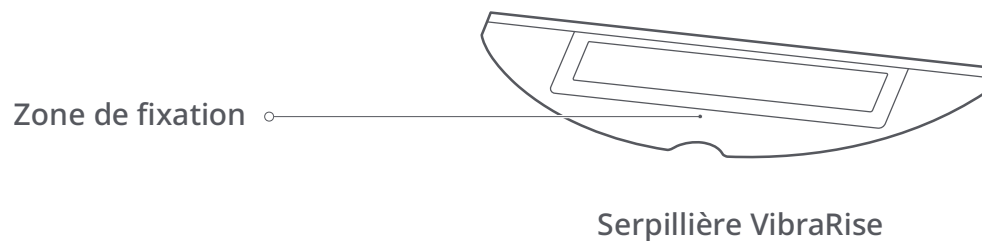
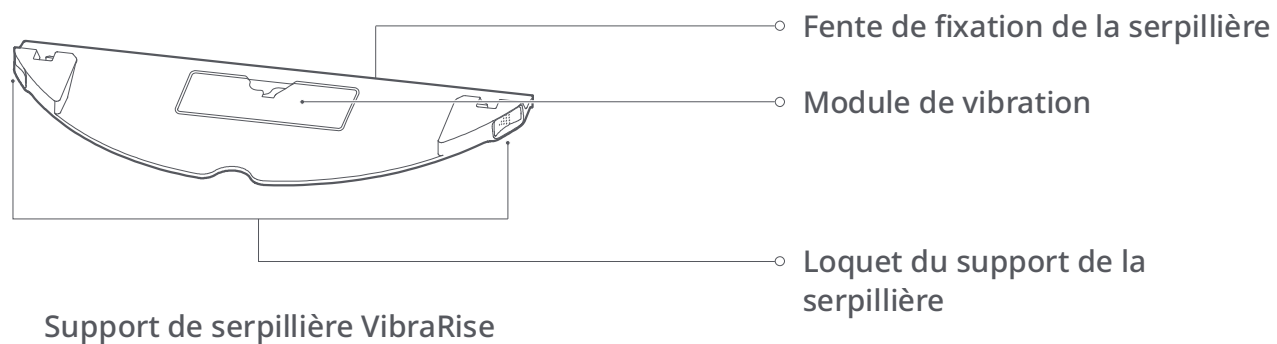
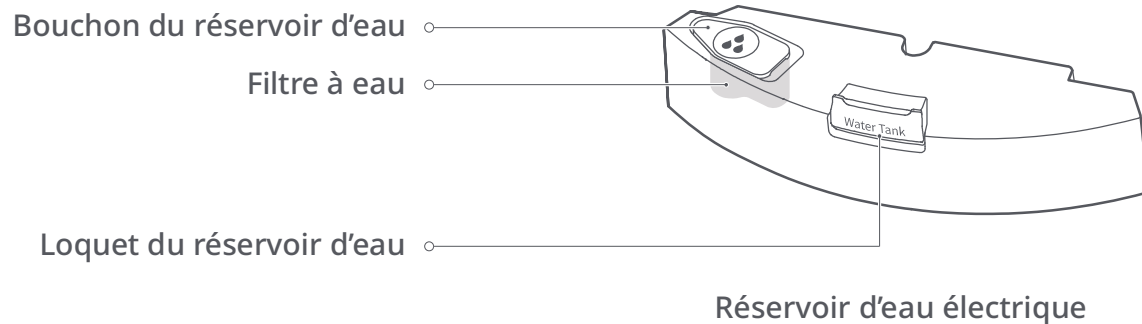
# Présentation du produit

## Robot et capteurs



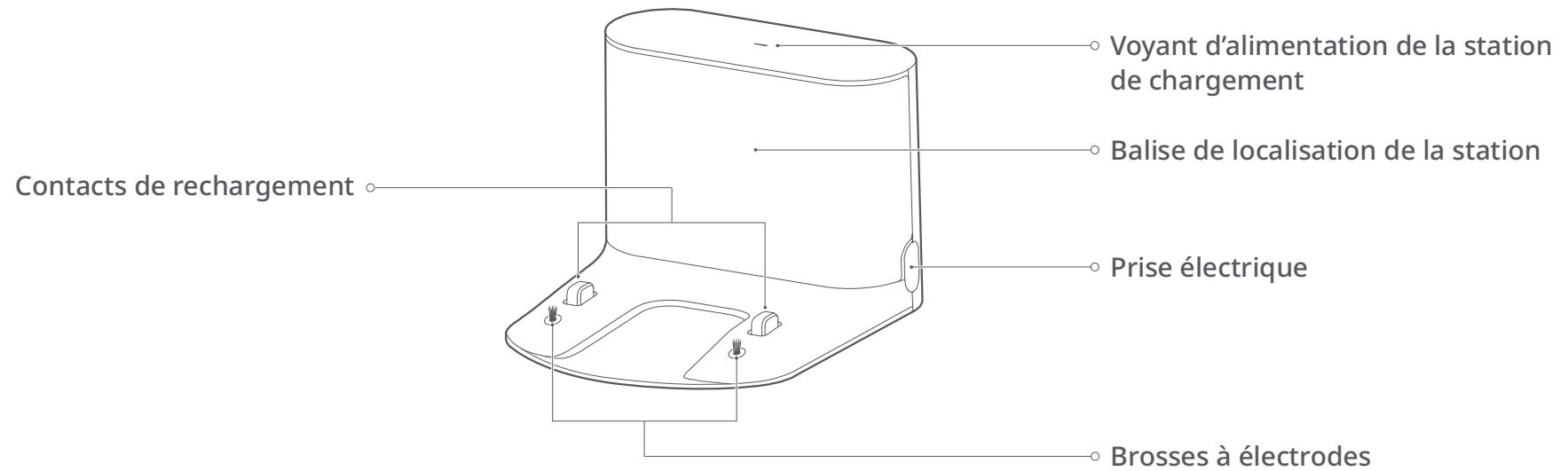
# Présentation du produit

## Module VibraRise



# Présentation du produit

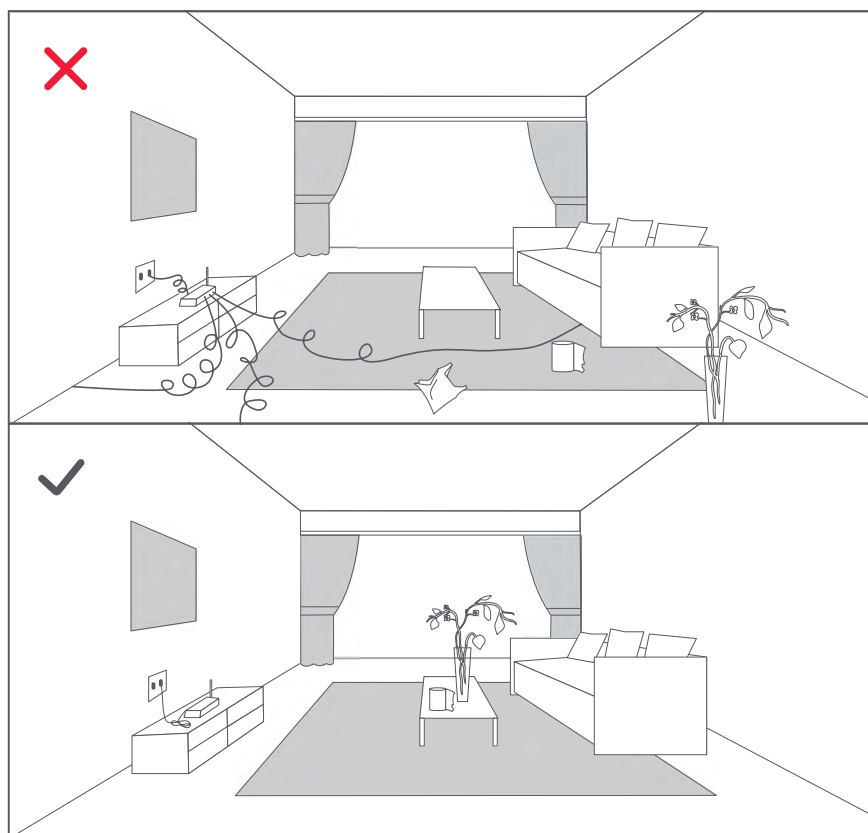
## Station de chargement



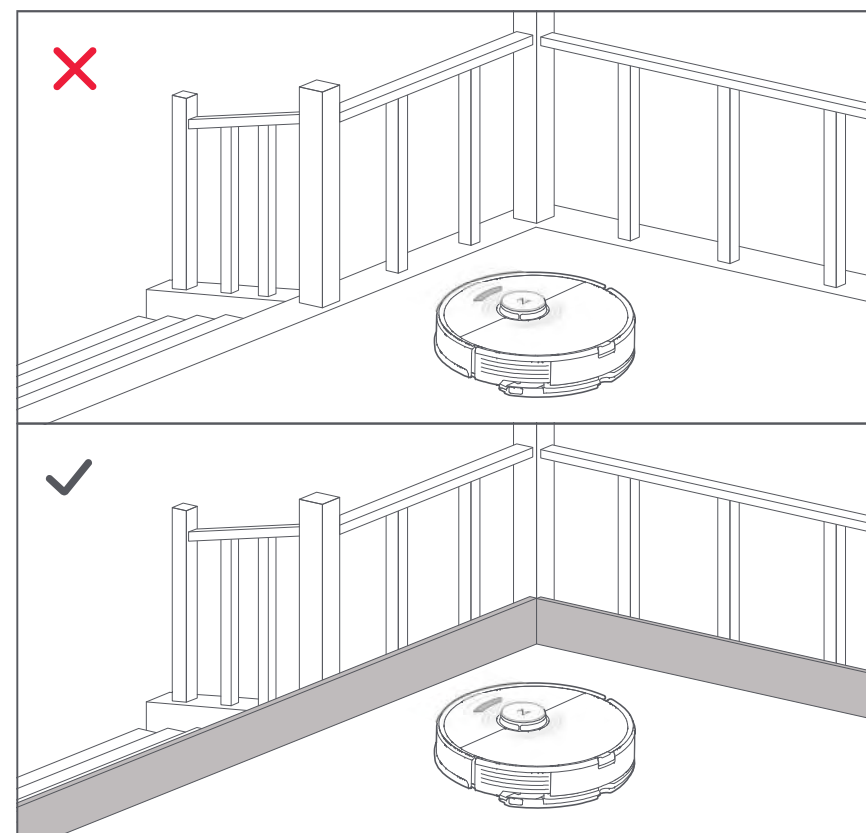
# Installation

## Important

1. Rangez les câbles et objets détachés du sol et déplacez tout objet instable, fragile, précieux ou dangereux afin d'éviter toute blessure et tout dommage matériel dus à des objets qui seraient happés, frappés ou heurtés par le robot.



2. Si vous employez ce robot dans une zone surélevée, utilisez toujours une barrière de sécurité physique pour empêcher les chutes accidentelles qui pourraient entraîner des blessures ou des dommages matériels.

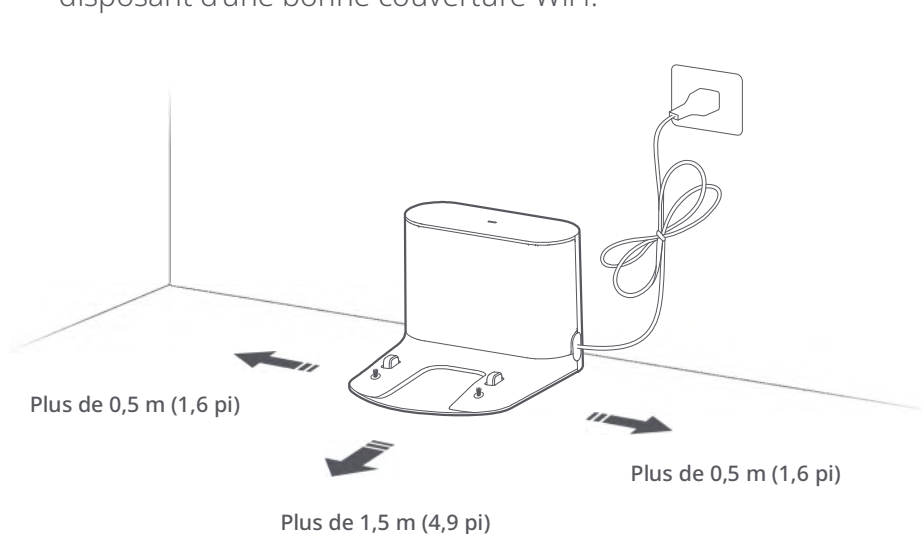


**Remarque :** lorsque vous utilisez votre robot pour la première fois, suivez-le attentivement tout au long de son parcours de nettoyage en prenant garde aux obstacles majeurs. Le robot pourra nettoyer seul lors des prochaines utilisations.

# Installation

## 1 Positionner la station de chargement

Gardez la station de chargement sur une surface plane et à niveau contre un mur. Connectez le câble d'alimentation à la station de chargement et rangez les câbles présents au sol. Pour garantir une meilleure expérience utilisateur avec l'application mobile, placez la station de chargement dans une zone disposant d'une bonne couverture WiFi.

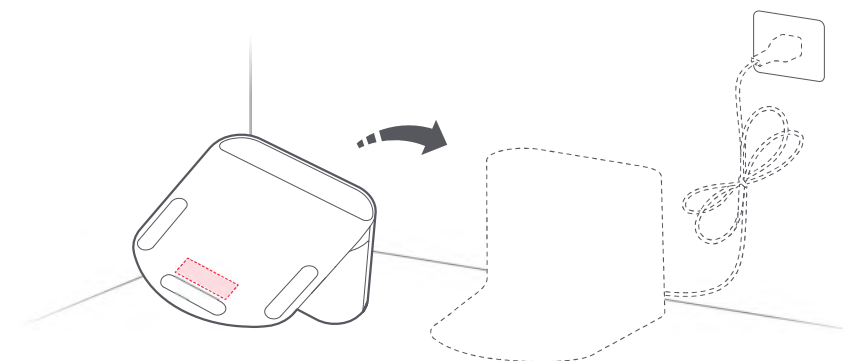


### Remarque :

- Laissez au moins 0,5 m (1,6 pi) d'espace de chaque côté et plus de 1,5 m (4,9 pi) devant la station de chargement.
- Si le câble d'alimentation est vertical par rapport au sol, il risque d'être happé par le robot, ce qui peut entraîner un débranchement de la station de chargement.
- Le voyant de la station de chargement est allumé lorsqu'il est alimenté et éteint lorsque le robot charge.
- Ne placez pas la station de chargement à un endroit directement exposé à la lumière du soleil et ne masquez pas la balise de localisation. Sinon, le robot risque de ne pas réussir à revenir automatiquement à sa station de chargement.
- Utilisez du ruban adhésif double face pour coller la station de chargement.

## 2 Fixer la station de chargement avec du ruban adhésif

Essuyez le sol de la zone où vous placerez la station de chargement à l'aide d'un chiffon sec, puis fixez la station en place en apposant du ruban adhésif double face au bas de la station.




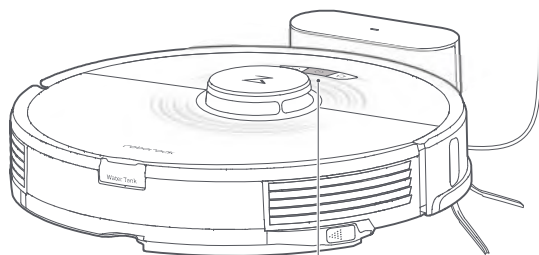
### Remarque :

- L'utilisation de ruban adhésif double face pour fixer la station de chargement est facultative.
- Si nécessaire, retirez lentement le ruban adhésif double face pour réduire les résidus de colle.

# Installation

## 3 Allumer et recharger le robot

Appuyez sur le bouton  et maintenez-le enfoncé pour allumer le robot. Lorsque le voyant d'alimentation s'allume, placez le robot sur la station pour le recharger. Pour conserver les hautes performances de la batterie lithium-ion rechargeable, gardez le robot chargé.



La couleur du voyant d'alimentation indique le niveau de la batterie :

- Blanc : niveau de batterie  $\geq$  20 %
- Rouge : niveau de batterie  $<$  20 %

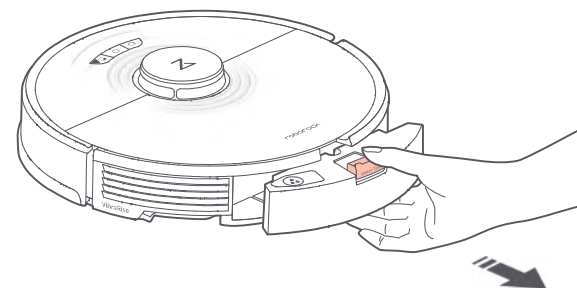
**Remarque :** il est possible que le robot ne s'allume pas lorsque la batterie est faible. Dans ce cas, placez directement le robot sur sa station pour le recharger.

## 4 Nettoyer le sol à la serpillière

**Remarque :** pour éviter l'accumulation excessive de saleté sur la serpillière, les sols devraient être aspirés au moins trois fois avant le premier cycle de nettoyage à la serpillière.

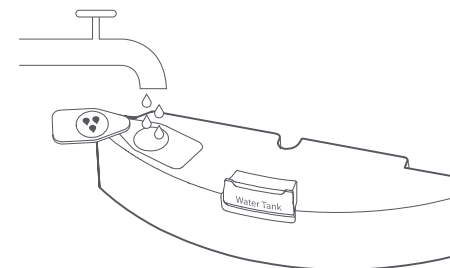
### 1. Retirer le réservoir d'eau

Libérez le loquet du réservoir d'eau et faites glisser le réservoir vers l'arrière.



### 2. Remplir le réservoir d'eau

Ouvrez le réservoir d'eau, remplissez-le d'eau, puis refermez-le fermement.



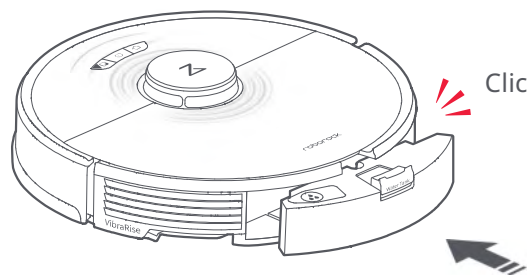
**Remarque :**

- Remplissez-le uniquement d'eau. Les liquides de nettoyage et/ou désinfectants peuvent entraîner une corrosion du réservoir d'eau.
- Utilisez uniquement de l'eau froide/à température ambiante. L'eau chaude peut entraîner une déformation du réservoir d'eau.

# Installation

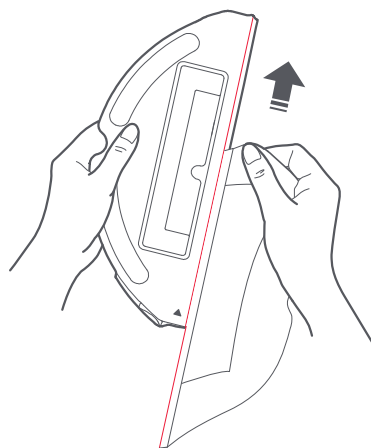
## 3. Réinstaller le réservoir d'eau

Faites glisser le réservoir d'eau le long des rainures jusqu'à ce qu'il soit en place et que vous entendiez un clic.



## 4. Installer la serpillière VibraRise

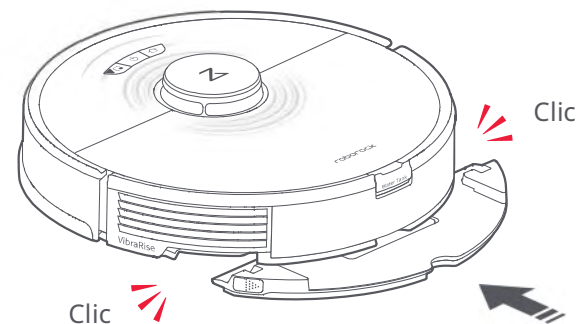
Humidifiez la serpillière et tordez-la pour éliminer l'excès d'eau. Faites-la glisser le long de la fente de fixation et faites-la fermement adhérer en place.



**Remarque :** n'utilisez que la serpillière VibraRise officielle avec ce produit.

## 5. Installer le support de la serpillière VibraRise

Faites glisser le support de serpillière le long de la partie inférieure du réservoir d'eau jusqu'à ce que vous entendiez un clic lorsqu'il est en place.

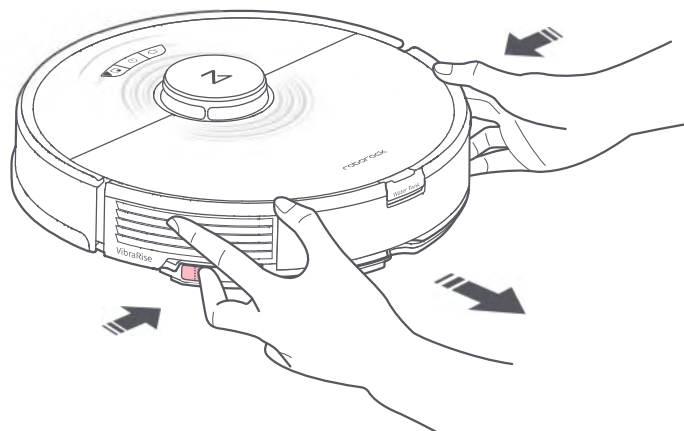


**Remarque :** Nettoyez la serpillière après 60 minutes de son utilisation par le robot pour préserver le débit d'eau et la qualité de nettoyage.

# Installation

## 6. Retirer le support de serpillière VibraRise

Une fois que le robot est revenu à sa station, retirez le support de serpillière en appuyant sur les loquets qui se trouvent des deux côtés et en le faisant glisser vers l'arrière.

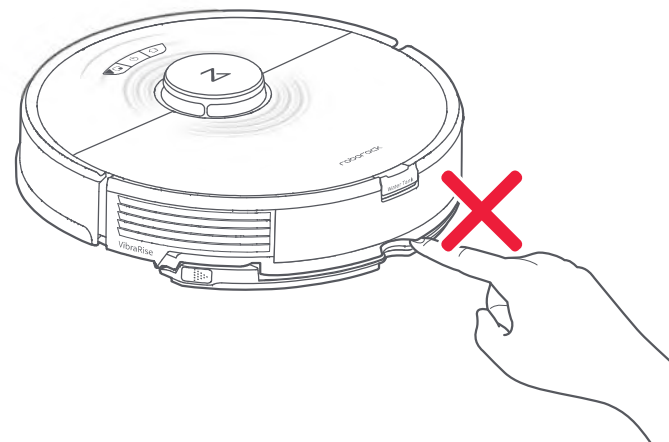


### Remarque :

- Lavez la serpillière après chaque utilisation, et évacuez régulièrement l'eau inutilisée du réservoir d'eau.
- Retirez le support de serpillière lorsque vous n'utilisez pas cette fonction. Le réservoir d'eau peut rester en place.

## ⚠ AVERTISSEMENT

Risque de blessure. Ne placez pas votre doigt entre le support de serpillière et le réservoir d'eau.





# Se connecter à l'application

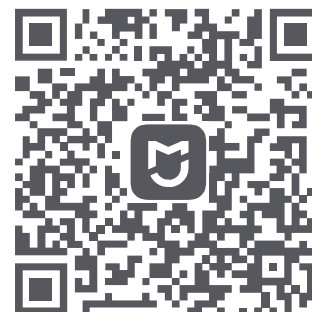
Ce robot prend à la fois en charge les applications Roborock et Mi Home. Choisissez celle qui correspond le mieux à vos besoins.

## ① Télécharger l'application

1. Recherchez « Roborock » sur l'App Store ou sur Google Play ou scannez le code QR pour télécharger et installer l'application.





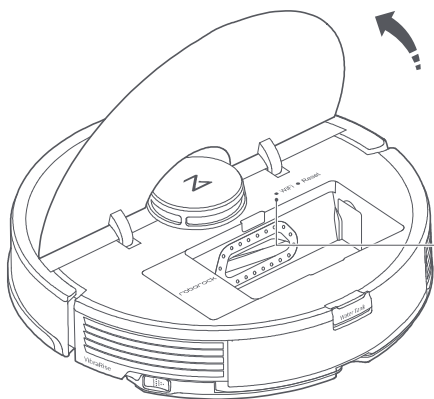
2. Recherchez « Mi Home » sur l'App Store ou sur Google Play ou scannez le code QR pour télécharger et installer l'application.



# Se connecter à l'application

## 2 Réinitialiser le WiFi

1. Ouvrez le capot supérieur et recherchez le voyant WiFi.
2. Appuyez sur les boutons  et  et maintenez-les enfoncés jusqu'à ce que vous entendiez l'alerte vocale « Réinitialisation du WiFi ». La réinitialisation est terminée lorsque le voyant WiFi clignote lentement. Le robot sera alors en attente de connexion.



### Voyant WiFi

- Éteint : WiFi désactivé
- Lent clignotement : en attente de connexion
- Clignotement rapide : connexion
- Fixe : connecté au WiFi

**Remarque :** si vous ne parvenez pas à vous connecter au robot en raison de la configuration de votre routeur, d'un mot de passe oublié ou de toute autre raison, réinitialisez le WiFi et ajoutez le robot comme nouvel appareil.

## 3 Ajouter l'appareil



Sur la page d'accueil de l'application, appuyez sur le « + » situé dans le coin supérieur droit et suivez les invites pour ajouter un appareil.

### Remarque :

- Le véritable processus peut varier en raison des mises à jour continues de l'application. Suivez les instructions fournies dans l'application.
- Seuls les réseaux WiFi 2,4 GHz sont pris en charge.
- Si le robot est en attente d'une connexion depuis plus d'une heure, le WiFi sera automatiquement désactivé. Si vous avez besoin de vous reconnecter, réinitialisez le WiFi avant de poursuivre.


# Instructions

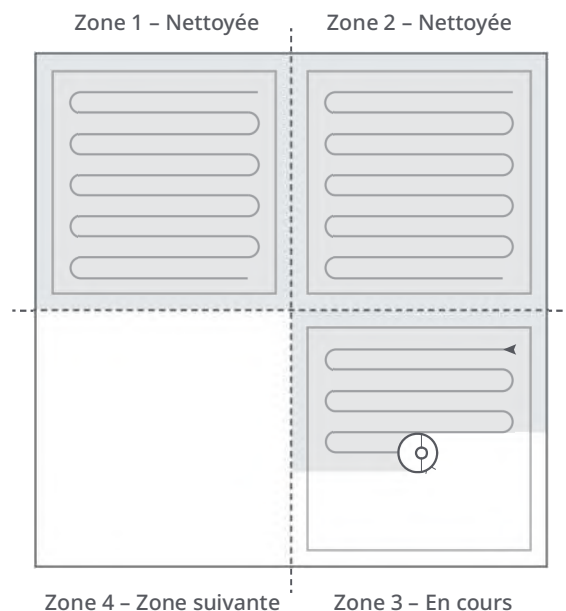
## Marche/Arrêt

Appuyez sur le bouton  et maintenez-le enfoncé pour allumer le robot. Le voyant d'alimentation s'allumera et le robot entrera en mode Veille. Appuyez sur le bouton  et maintenez-le enfoncé pour éteindre le robot et mettre fin au cycle de nettoyage en cours.

**Remarque :** le robot ne peut pas être éteint lorsqu'il se recharge.

## Démarrer le nettoyage

Appuyez sur le bouton  pour démarrer le nettoyage. Le robot planifiera son parcours en fonction de son analyse de la pièce. Puis, il segmentera chaque pièce en carrés, en commençant par en nettoyer les bords puis en y entrant en zigzag. Après cela, il passera au carré suivant jusqu'à ce que chaque zone de chaque pièce ait été efficacement couverte.



### Remarque :

- Le nettoyage ne peut pas démarrer si le niveau de la batterie est trop faible. Laissez le robot charger avant de démarrer le nettoyage.
- Avant le nettoyage, rangez les câbles (y compris le câble d'alimentation de la station de chargement) et les objets fragiles présents au sol. Les câbles et objets épars peuvent se coincer dans le robot, ce qui peut entraîner une déconnexion ou un endommagement des câbles et des biens matériels.
- Si le nettoyage est terminé sous 10 minutes, la zone sera nettoyée deux fois.
- Si la batterie devient faible durant le nettoyage, le robot reviendra automatiquement à sa station pour se recharger et continuera là où il s'est arrêté.
- Si le support de serpillière VibraRise est installé, le robot le lèvera lorsqu'il nettoiera des zones comportant de la moquette.

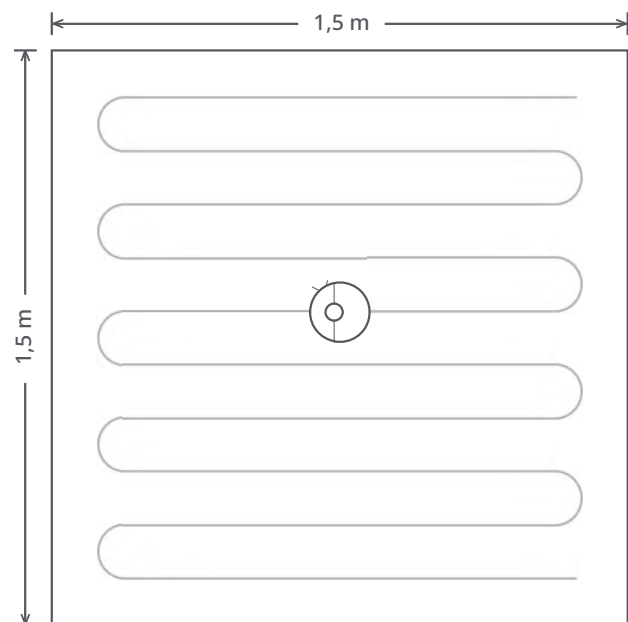
## Choisir le mode

Utilisez l'application pour ajuster la puissance d'aspiration et la puissance de vibration.

# Instructions



## Nettoyage localisé

Appuyez sur  pour démarrer un nettoyage localisé.  
Zone : 1,5 m<sup>2</sup> (4,9 pi<sup>2</sup>) autour du robot.




**Remarque :** après le nettoyage localisé, le robot reviendra à son point de départ et entrera en mode Veille.

## Pause

Durant un nettoyage, appuyez sur n'importe quel bouton pour mettre le robot en pause, appuyez sur  pour continuer, ou appuyez sur  pour renvoyer le robot à sa station.

**Remarque :** si vous placez le robot en pause sur la station de chargement, cela mettra fin au nettoyage en cours.

## Remplir le réservoir d'eau ou nettoyer la serpillière

Pour ajouter de l'eau ou nettoyer la serpillière, appuyez sur n'importe quel bouton pour arrêter le robot et retirez le module de serpillière. Après avoir ajouté de l'eau ou nettoyé la serpillière, réinstallez le module de serpillière et appuyez sur le bouton  pour continuer.

## Veille

Si le robot est inactif pendant plus de 10 minutes, il entrera en mode Veille, avec son indicateur d'alimentation clignotant une fois toutes les quelques secondes. Appuyez sur n'importe quel bouton pour le sortir de veille.

**Remarque :**

- Le robot n'entrera pas en mode Veille lorsqu'il est en charge.
- Le robot s'éteindra automatiquement s'il reste en mode Veille pendant plus de 12 heures.

## Mode Ne pas déranger (NPD)


Par défaut, le mode NPD est activé de 22:00 à 08:00. Il peut être désactivé ou personnalisé dans l'application. En mode NPD, le nettoyage est arrêté, les annonces vocales sont en sourdine, et la luminosité du voyant d'alimentation est réduite.

## Verrouillage enfant

Lorsque la sécurité enfant est activée, tous les boutons sont verrouillés lorsque le robot est immobile.

# Instructions

## Recharger

Le robot reviendra automatiquement à sa station de chargement une fois qu'il aura terminé. S'il est en pause, appuyez sur le bouton  pour le renvoyer à sa station de chargement. Lorsque le robot est en charge, le voyant d'alimentation clignote lentement.

**Remarque :** si le robot ne parvient pas à retrouver sa station de chargement, il reviendra à son point de départ le plus récent. Placez manuellement le robot sur sa station de chargement pour le recharger.

## Erreur

Si une erreur se produit, le voyant d'alimentation clignote rapidement en rouge, et une alerte vocale se fait entendre. Voir « Erreurs » pour obtenir des solutions.

**Remarque :**


- Le robot entrera automatiquement en mode Veille s'il reste sur une erreur pendant plus de 10 minutes.
- Si vous placez le robot sur sa station de chargement alors que son état est Erreur, cela mettra fin au nettoyage en cours.

## Réinitialisation système

Si le robot ne répond pas aux boutons ou ne peut pas être éteint, réinitialisez le système. Le robot redémarrera.

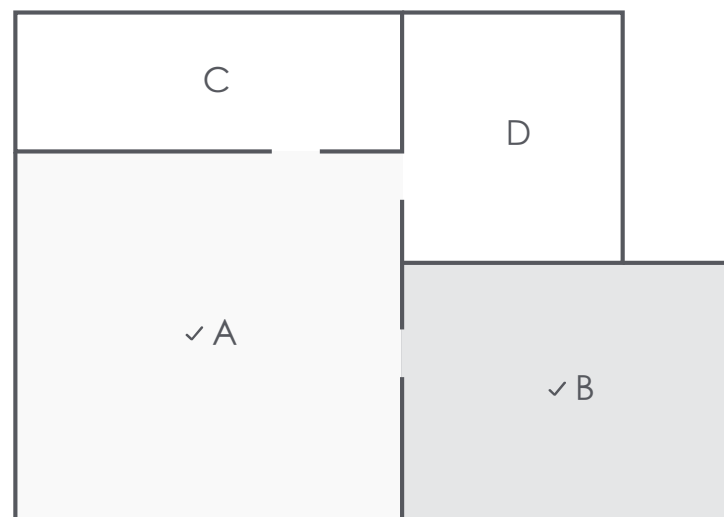
**Remarque :** après une réinitialisation système, les planifications de nettoyage, les paramètres WiFi et les autres paramètres reviendront à leurs valeurs d'usine.

## Restaurer les paramètres d'usine

Si le robot ne fonctionne pas après une réinitialisation système, allumez-le. Appuyez sur le bouton , maintenez-le enfoncé, et dans le même temps, appuyez sur le bouton Réinitialiser jusqu'à ce que vous entendiez l'annonce vocale « Restoring the initial version » (Restauration de la version initiale). Les paramètres d'usine du robot seront alors restaurés.

## Nettoyage sélectif de pièces

Le robot nettoiera les zones sélectionnées dans l'application.



**Remarque :**

- Le mode Économie cartographique doit être activé et un nettoyage complet doit avoir été effectué avant d'utiliser cette fonction.
- Le robot peut entrer dans des zones non sélectionnées durant le nettoyage. Éliminez les obstacles du sol entourant les pièces sélectionnées car le robot risque d'entrer dans ces zones.

## Nettoyage de zones

Le robot nettoiera la ou les zones tracées dans l'application.

**Remarque :** lorsqu'il nettoie la zone désignée, il peut arriver au robot de sortir des limites de celle-ci. Assurez-vous qu'aucun câble ou aucun obstacle ne traînent à proximité de la zone à nettoyer.

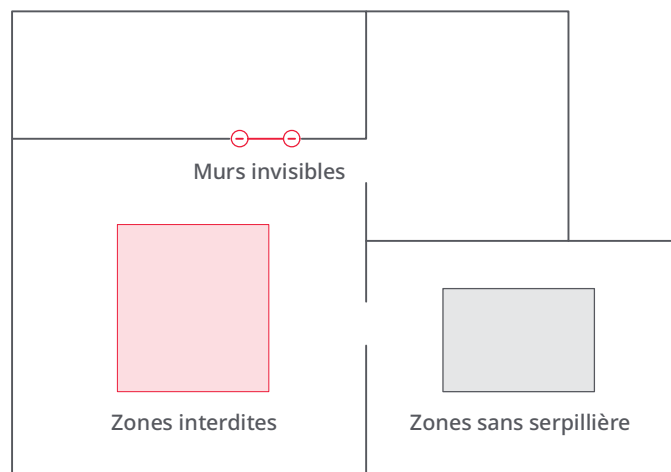
# Instructions

## Nettoyage planifié

Configurez des itinéraires de nettoyage, et aux heures définies, le robot nettoiera et reviendra à sa station.

## Zones interdites, Zones sans serpillière et Murs invisibles

Utilisez les Zones interdites et Murs invisibles créés dans l'application pour empêcher l'accès à certaines zones et pièces. Par défaut, les Zones sans serpillière s'activeront lorsque le support de serpillière sera en place.



### Remarque :

- Seules les Zones interdites et Zones sans serpillière définies dans l'application sont prises en charge.
- Le mode Économie cartographique doit être activé et un nettoyage complet doit avoir été effectué avant d'utiliser cette fonction.

- Les Zones interdites, Zones sans serpillière et Murs invisibles ne doivent être utilisés que pour personnaliser l'espace à nettoyer. Ces éléments ne doivent pas être utilisés pour isoler des dangers.
- Le déplacement du robot à la main ou l'apport de changements considérables à l'environnement peut entraîner une perte des Zones interdites, des Zones sans serpillière et des Murs invisibles.

## Mises à jour du logiciel

Utilisez l'application pour mettre à jour le logiciel du robot. Mettez le robot à jour lorsqu'il est sur sa station de chargement et qu'il dispose d'au moins 20 % de batterie. Le voyant d'alimentation clignotera rapidement en blanc durant la mise à jour.

## Fonctions supplémentaires de l'application

Afficher l'état du robot	Boost pour moquettes
Affichage de la carte en temps réel	Historique de nettoyage
Gestion des cartes	Planification de la maintenance
Nettoyage personnalisé	Ajuster le volume

**Remarque :** les véritables fonctions et détails de l'application peuvent varier légèrement en raison des mises à niveau et du développement continu.

# Entretien de routine

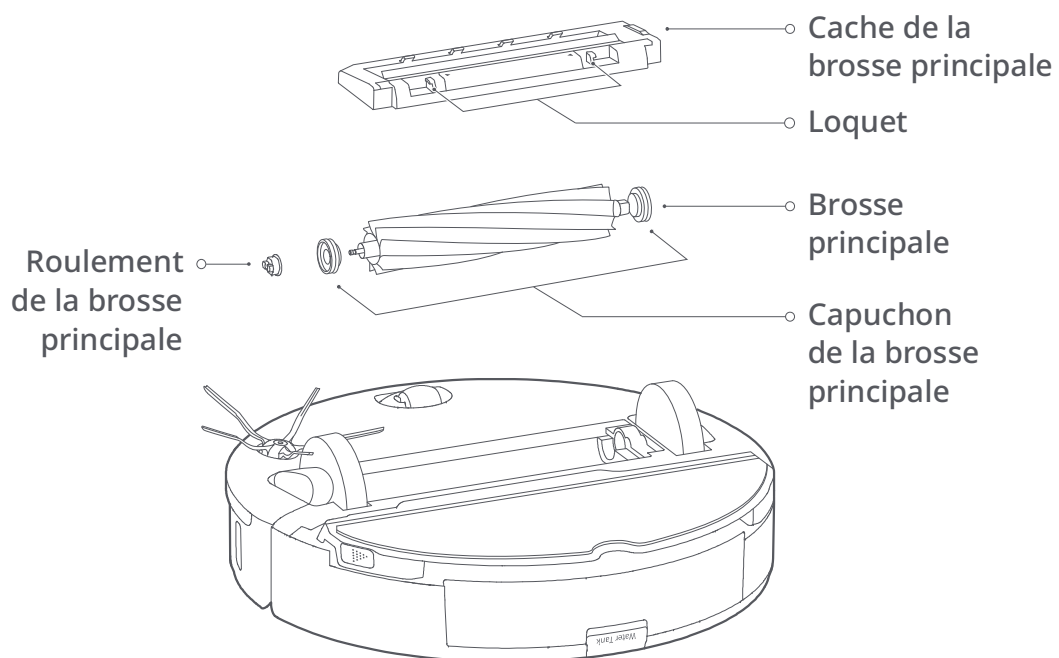
Pour conserver des performances optimales, entretenez votre robot conformément aux consignes suivantes :

Pièce	Fréquence d'entretien	Fréquence de remplacement	Méthode d'entretien
Roulette omnidirectionnelle	Selon les besoins	/	Utilisez un tournevis ou un outil similaire pour déloger les axes. Rincez, laissez sécher et appuyez sur la roulette pour la remettre en place.
Brosse principale	2 semaines	6 à 12 mois	Faites tourner les attaches des capuchons des brosses principales dans le sens du déverrouillage et retirez-les. Après avoir retiré les débris enroulés autour de la brosse, réinstallez les capuchons de la brosse principale dans le sens du verrouillage.
Brosse latérale	Tous les mois	3 à 6 mois	Utilisez un tournevis pour dévisser la brosse latérale. Retirez toute saleté coincée puis revissez la brosse en place.
Filtre lavable	2 semaines	6 à 12 mois	Retirez et rincez, tapotez délicatement pour éliminer toute saleté. Séchez à l'air libre pendant au moins 24 h avant réutilisation.
Serpillière VibraRise	Après chaque utilisation	3 à 6 mois	Retirez et nettoyez la serpillière après chaque utilisation.
Contacts de recharge (Robot)	Tous les mois	/	Essuyez-les avec un chiffon doux sec pour qu'ils soient propres.
Contacts de recharge (station de chargement)	Tous les mois	/	Essuyez-les avec un chiffon doux sec pour qu'ils soient propres.
Localisateur de station	Tous les mois	/	Essuyez-les avec un chiffon doux sec pour qu'ils soient propres.
Capteurs de vide	Tous les mois	/	Essuyez-les avec un chiffon doux sec pour qu'ils soient propres.
Capteur de moquette	Tous les mois	/	Essuyez-les avec un chiffon doux sec pour qu'ils soient propres.
Roulettes principales	Tous les mois	/	Essuyez-les avec un chiffon doux sec pour qu'ils soient propres.

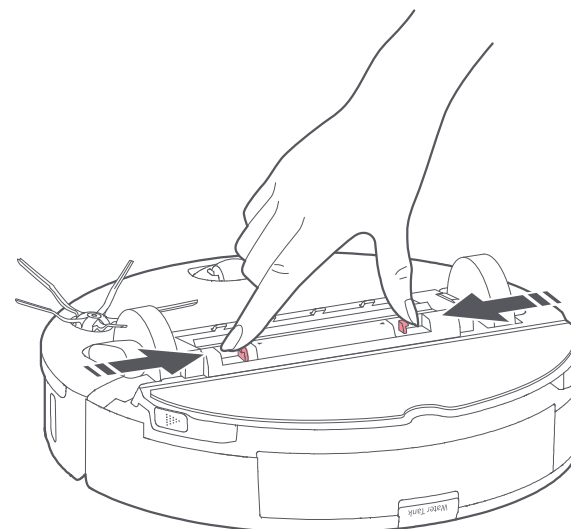
**Remarque :** la fréquence de remplacement variera selon la situation réelle. En cas d'usure anormale, remplacez la pièce concernée.

# Entretien de routine

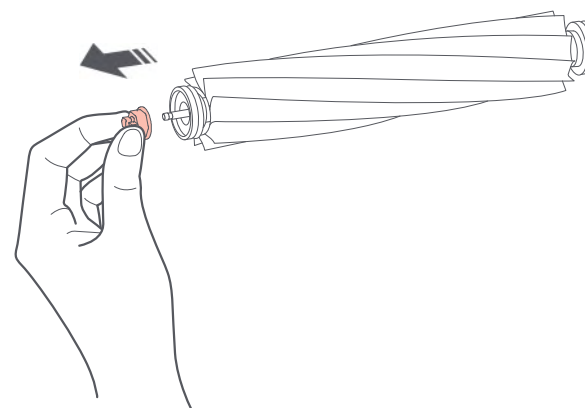
## Brosse principale



1. Retournez le robot puis déverrouillez et retirez le cache de la brosse principale.



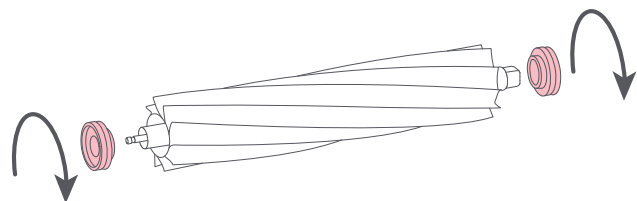
2. Sortez la brosse principale, puis retirez et nettoyez le rouleau.



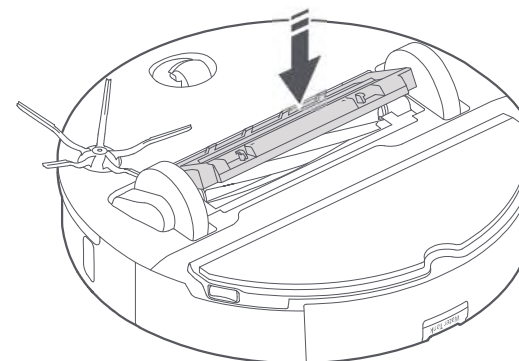
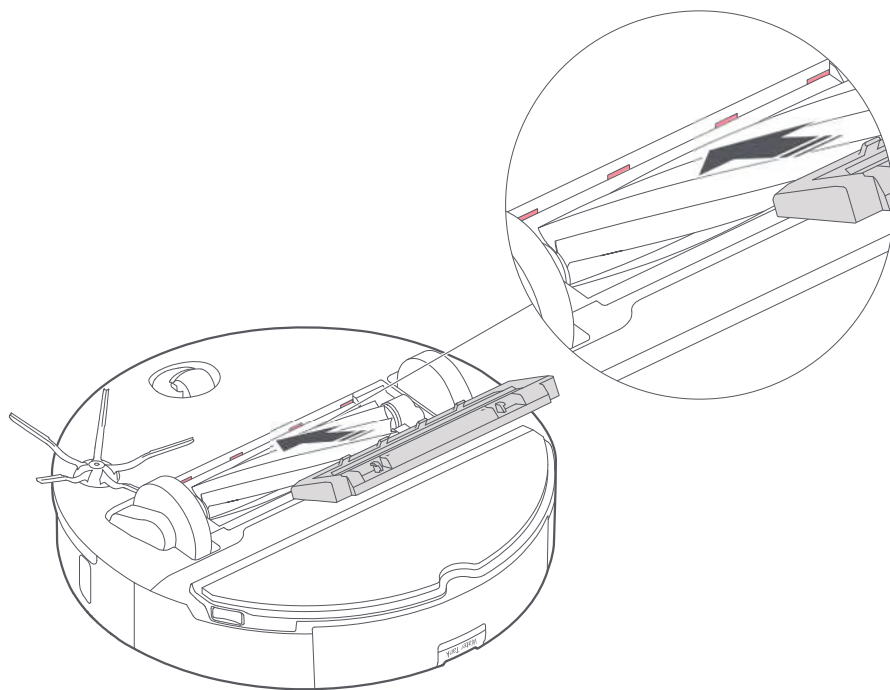


# Entretien de routine

3. Retirez le capuchon de la brosse principale en le faisant tourner dans le sens antihoraire. Après nettoyage, réinstallez-le en le faisant tourner dans le sens horaire.



4. Après avoir retiré les cheveux et saletés entremêlés aux deux extrémités de la brosse principale, réinstallez-la, puis appuyez sur son cache pour la verrouiller en place.

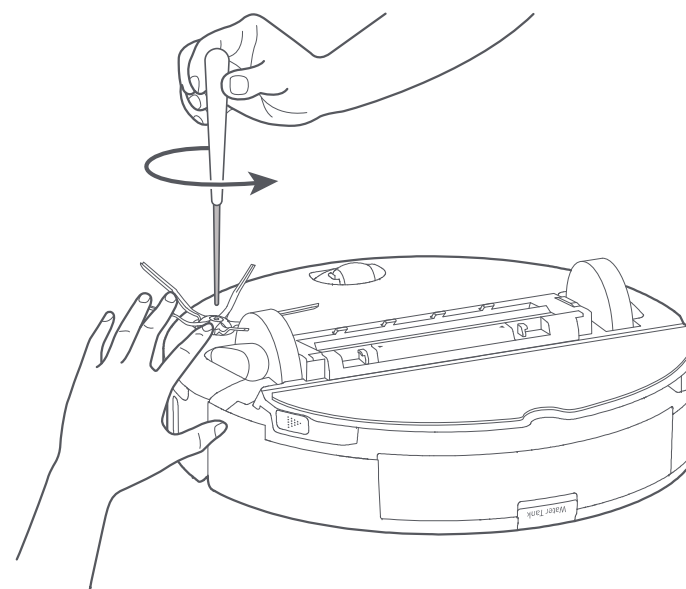


## Remarque :

- Utilisez un chiffon humide pour essuyer la brosse principale. Laissez complètement sécher avant utilisation en évitant l'exposition directe au soleil.
- N'utilisez pas de détergent ou de désinfectant corrosif pour nettoyer la brosse principale.

## Brosse latérale

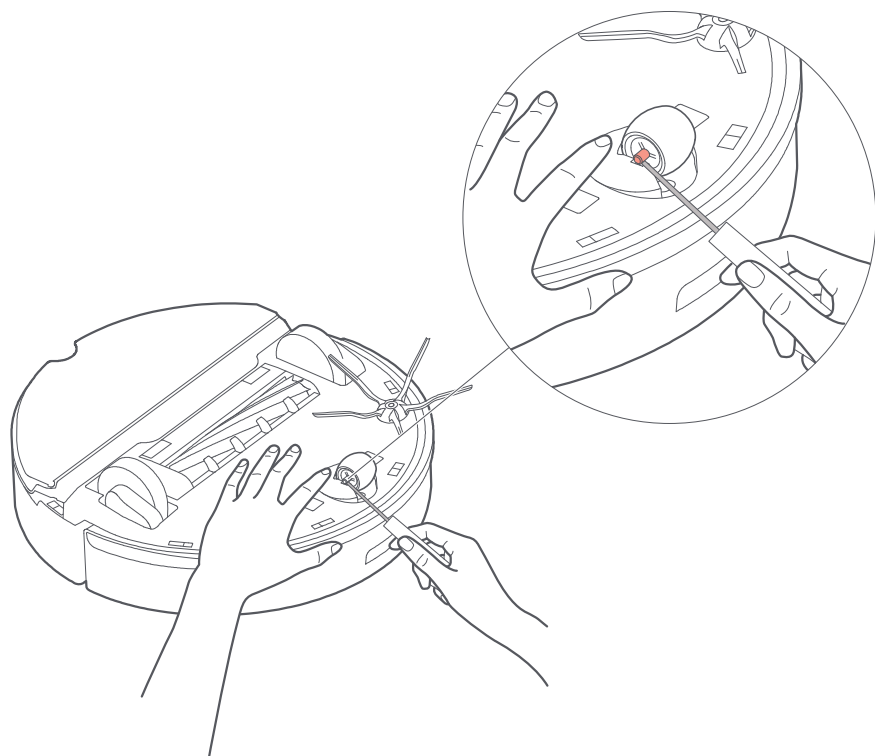
1. Dévissez la brosse latérale et retirez toute saleté coincée.
2. Réinstallez et vissez en place.



# Entretien de routine

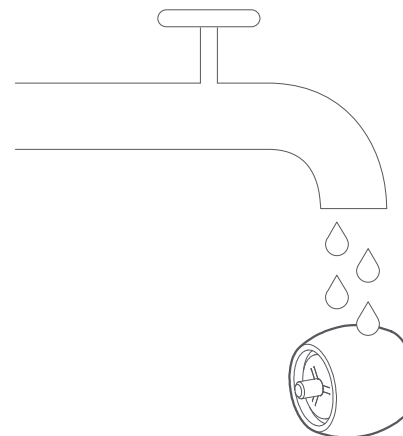
## Roulette omnidirectionnelle

1. Utilisez un petit tournevis ou un outil similaire pour déloger les axes et retirez la roulette.



**Remarque :** le support de la roulette omnidirectionnelle ne peut pas être retiré.

2. Rincez la roulette et son axe pour retirer tout cheveux et toute saleté.

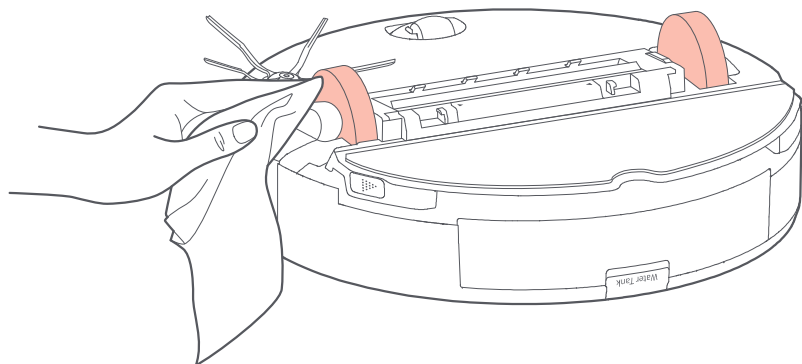


3. Laissez sécher et réinstallez la roulette en appuyant fermement dessus pour qu'elle se mette en place.

# Entretien de routine

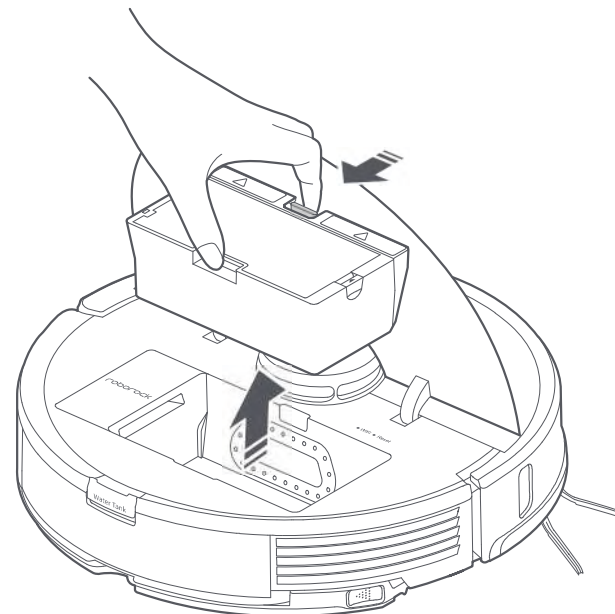
## Roulettes principales

Utilisez un chiffon doux sec pour essuyer et nettoyer les roulettes principales.



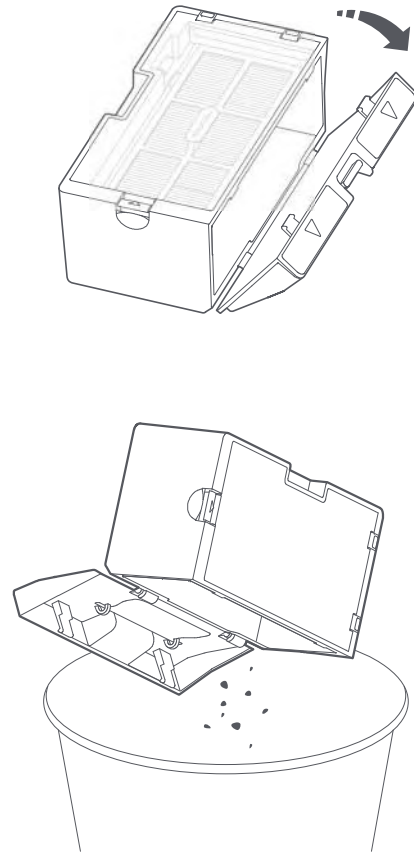
## Bac à poussière

1. Ouvrez le capot supérieur du robot et retirez le bac à poussière.

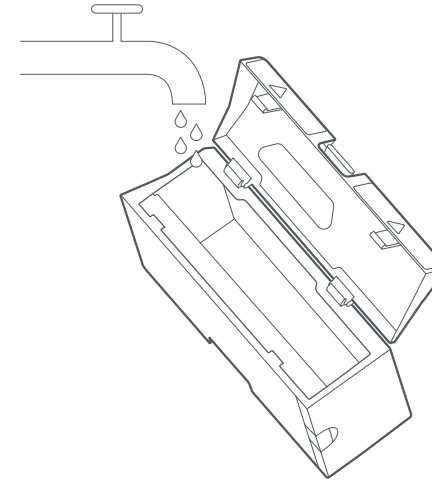


# Entretien de routine

2. Ouvrez le couvercle et videz le bac à poussière.

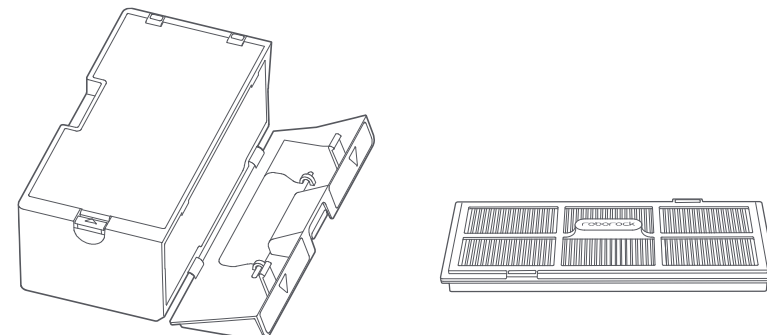


3. Remplissez-le d'eau propre et fermez le couvercle. Secouez délicatement le bac à poussière puis rouvrez-le pour évacuer l'eau sale.



**Remarque :** pour éviter les blocages, n'utilisez que de l'eau douce sans produit nettoyant.

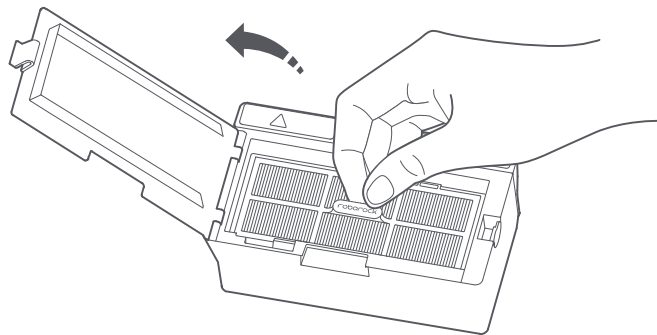
4. Laissez le bac à poussière et le filtre à air sécher à l'air libre.



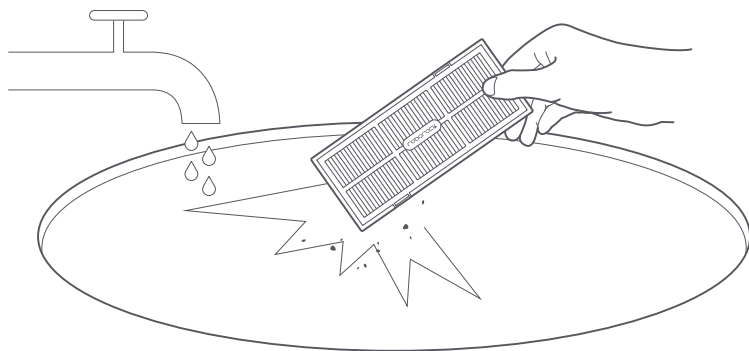
# Entretien de routine

## Filtre lavable

1. Ouvrez le cache du filtre et retirez le filtre.

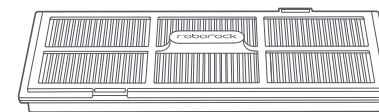


2. Rincez plusieurs fois et tapotez le cadre du filtre pour éliminer autant de saleté que possible.



**Remarque :** pour éviter tout endommagement, ne touchez pas le filtre avec vos mains, des brosses ou des objets pointus.

3. Laissez minutieusement sécher le filtre avant de le réinstaller.

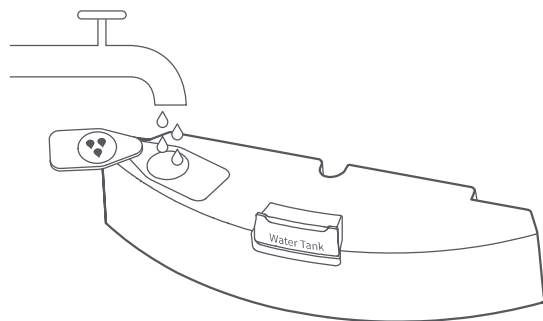


**Remarque :** utilisez un autre filtre si nécessaire.

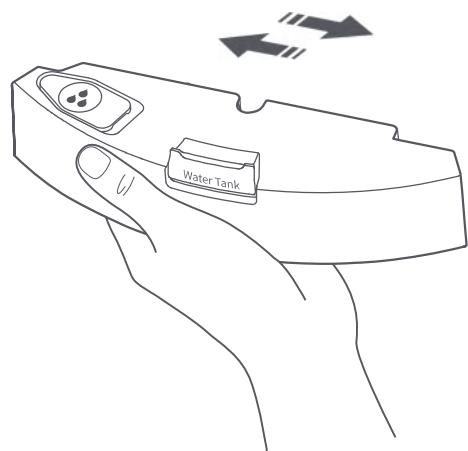
# Entretien de routine

## Réservoir d'eau

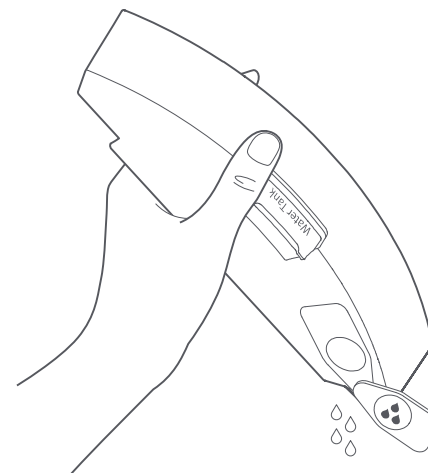
1. Ouvrez le réservoir d'eau et remplissez-le d'eau propre.



2. Refermez le réservoir d'eau et secouez-le délicatement.



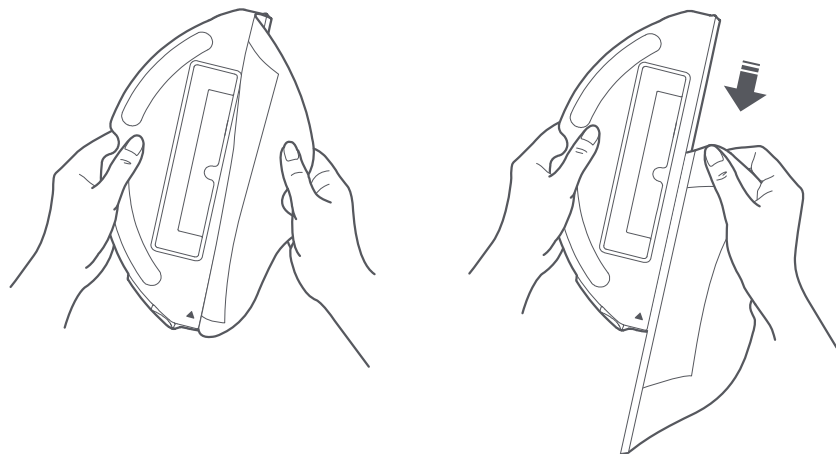
3. Évacuez l'eau sale.



# Entretien de routine

## Serpillère VibraRise

1. Retirez la serpillière de son support.



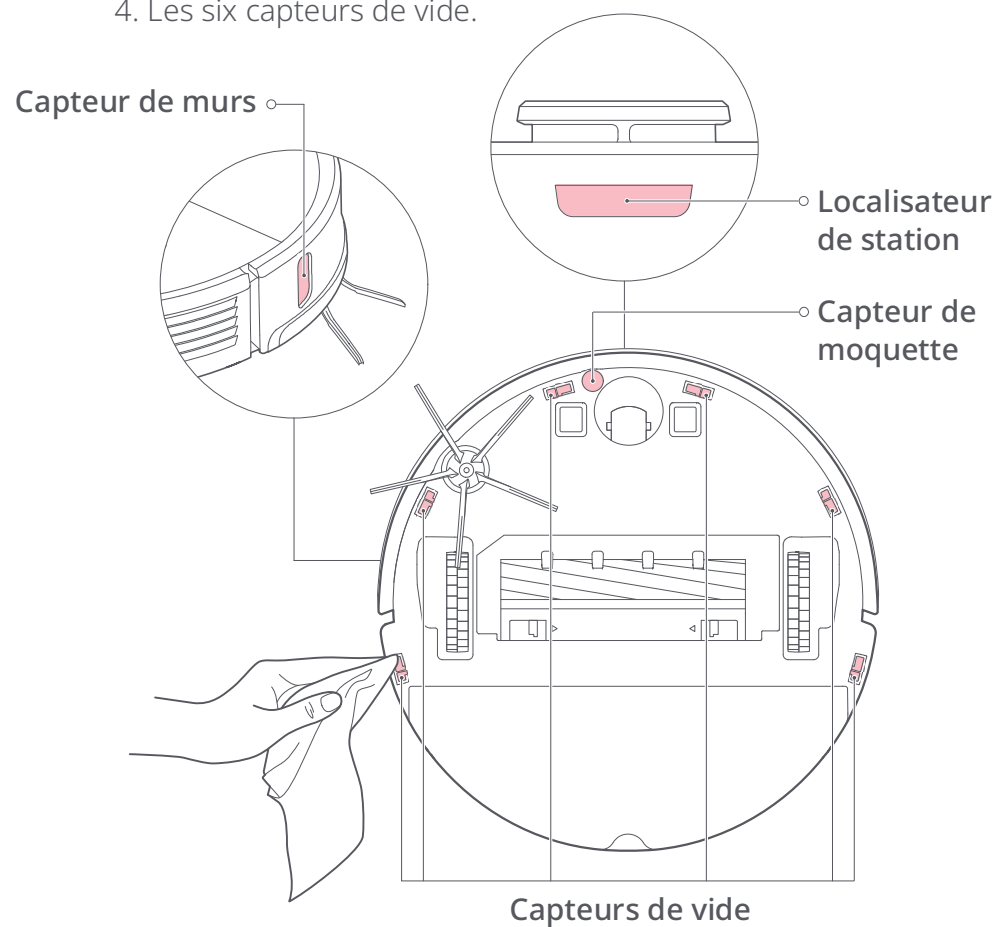
2. Nettoyez la serpillière VibraRise et laissez-la sécher à l'air libre.

**Remarque :** une serpillière sale nuira aux performances de nettoyage. Commencez toujours le nettoyage avec une serpillière propre.

## Capteurs du robot

Utilisez un chiffon doux sec pour essuyer et nettoyer tous les capteurs, notamment :

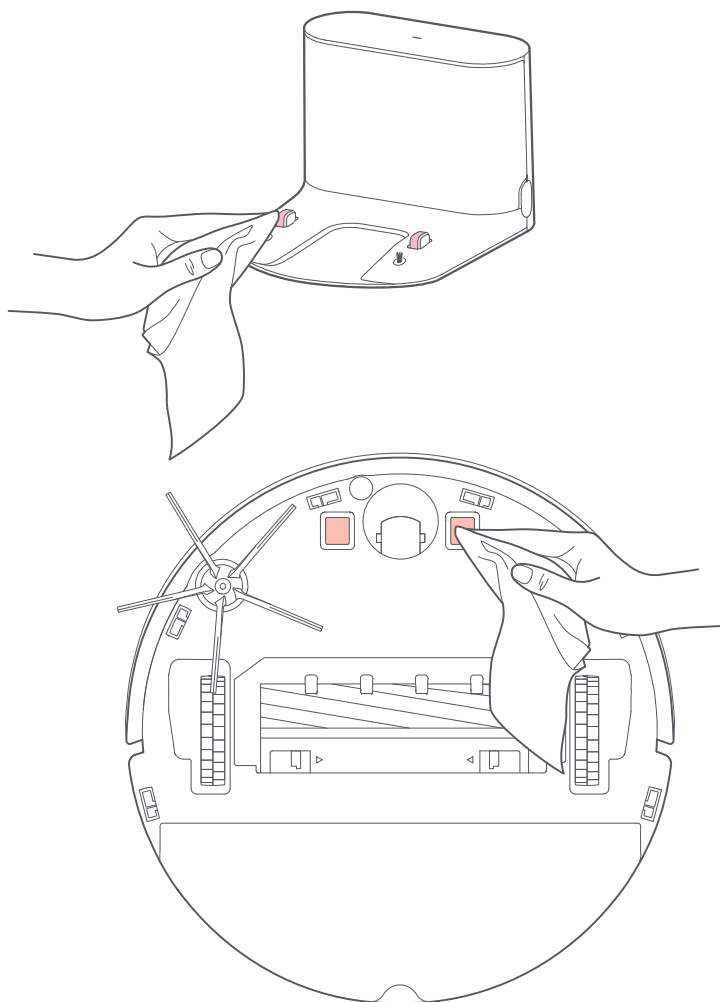
1. Le localisateur de station.
2. Le capteur de murs.
3. Le capteur de moquette.
4. Les six capteurs de vide.



# Entretien de routine

## Zones de contact de rechargement

Utilisez un chiffon doux sec pour essuyer les contacts de rechargement de la station et du robot.



## Batterie

Le robot est équipé d'une batterie lithium-ion rechargeable très performante. Gardez le robot chargé pour préserver les performances de la batterie.

**Remarque :** si le robot ne sera pas utilisé pendant une période prolongée, éteignez-le et rechargez-le au moins tous les trois mois pour éviter que la batterie ne se décharge trop.



# Paramètres de base

## Robot

Modèle	roborock S7
Dimensions	353×350×96,5 mm
Batterie	14,4 V/batterie au lithium 5 200 mAh
Poids	Environ 4,7 kg
Connexion sans fil	WiFi Smart Connect
Entrée nominale	20 VCC, 1,2 A
Durée de rechargement	< 6 heures

**Remarque :** le numéro de série figure sur un autocollant apposé sous le robot.

## Station de chargement

Modèle	CDZ11RR ou CDZ12RR
Dimensions	151×130×98 mm
Puissance nominale	28 W
Entrée nominale	100 – 240 VCA
Régime nominal	20 VCC, 1,2 A
Fréquence nominale	50 – 60 Hz
Rechargement de la batterie	14,4 V/batterie au lithium 5 200 mAh

# Erreurs

Si une erreur se produit alors que le robot est en train de nettoyer, le voyant d'alimentation clignote rapidement en rouge, et une alerte vocale se fait entendre. Reportez-vous au tableau suivant pour la dépannage.

1. Une fois que vous avez remédié à l'une des erreurs suivantes, remettez votre robot en place et redémarrez le nettoyage.
2. Après toute erreur de capteur, nettoyez le capteur et réessayez.
3. Si la température de la batterie est anormale, patientez le temps qu'elle revienne à une température normale avant réutilisation.

---

**Erreur 1 :** tourelle LiDAR ou laser obstrué. Recherchez la présence d'obstructions et réessayez.

---

**Erreur 2 :** pare-chocs bloqué. Nettoyez-le et tapotez-le légèrement pour le libérer.

---

**Erreur 3 :** roues arrêtées. Déplacez le robot à un nouvel endroit et redémarrez.

---

**Erreur 4 :** erreur de détecteur de dénivelé. Nettoyez les détecteurs de dénivelé, éloignez le robot des déclivités et redémarrez-le.

---

**Erreur 5 :** brosse principale bloquée. Nettoyez la brosse principale et ses roulements.

---

**Erreur 6 :** brosse latérale bloquée. Retirez la brosse latérale et nettoyez-la.

---

**Erreur 7 :** roues bloquées. Déplacez le robot et redémarrez-le.

---

**Erreur 8 :** robot coincé. Retirez les obstacles entourant le robot.

---

**Erreur 9 :** aucun bac à poussière. Réinstallez le bac à poussière et le filtre.

---

**Erreur 12 :** batterie faible. Rechargez et réessayez.

---

**Erreur 13 :** erreur de chargement. Nettoyez les contacts de rechargement et réessayez.

---

**Erreur 14 :** erreur de batterie.

---

**Erreur 15 :** capteur d'obstacles sale. Nettoyez le capteur d'obstacles.

---

# Erreurs

---

**Erreur 16 :** robot incliné. Déplacez-le sur un sol plan et redémarrez-le.

---

**Erreur 17 :** erreur de la brosse latérale. Réinitialisez le robot.

---

**Erreur 18 :** erreur du ventilateur. Réinitialisez le robot.

---

**Erreur 21 :** pare-chocs vertical sous pression. Déplacez le robot et réessayez.

---

**Erreur 22 :** erreur de localisateur de station. Nettoyez-le et réessayez.

---

**Erreur 23 :** retour à la station impossible. Nettoyez la balise de localisation de la station et réessayez.

---

**Erreur 27 :** système VibraRise bloqué. Recherchez la présence d'obstructions.

---

**Erreur 28 :** le robot est placé sur un tapis. Déplacez le robot sur le sol et réessayez.

---

Filtre bloqué ou humide. Nettoyez-le, séchez-le et réessayez.

---

Zone interdite ou mur invisible détecté. Éloignez le robot de cette zone.

---

Impossible de traverser le tapis. Déplacez le robot de l'autre côté du tapis et redémarrez.

---

Une erreur interne s'est produite. Réinitialisez le robot.

---

**Remarque :** une réinitialisation système peut résoudre certains problèmes.

Si le problème persiste après avoir suivi les recommandations du tableau ci-dessus, veuillez envoyer un email à notre équipe de service après vente :

Assistance aux États-Unis/hors Europe : [support@roborock.com](mailto:support@roborock.com)

Assistance en Europe : [support@roborock-eu.com](mailto:support@roborock-eu.com)

# Problèmes courants

Problème	Solution
Impossible d'allumer l'appareil	<ul style="list-style-type: none"><li>• Le niveau de la batterie est faible. Placez le robot sur sa station de chargement et rechargez-le avant utilisation.</li><li>• La température de la batterie est trop faible ou trop élevée. N'utilisez le robot que sur la plage de température 4 – 40 °C (39 – 104 °F).</li></ul>
Impossible de recharger l'appareil	<ul style="list-style-type: none"><li>• Vérifiez que le voyant d'alimentation s'allume et que les deux extrémités du câble d'alimentation sont correctement branchées.</li><li>• En cas de faux contact, nettoyez les zones de contact de la station de chargement et du robot.</li></ul>
Rechargement lent	<ul style="list-style-type: none"><li>• Lorsqu'il est utilisé à faible température ou à température élevée, le robot réduit automatiquement sa vitesse de chargement pour prolonger la durée de vie de la batterie.</li><li>• Les contacts de rechargement sont peut-être sales. Essuyez-les avec un chiffon sec.</li></ul>
Impossible de revenir à la station	<ul style="list-style-type: none"><li>• Il y a trop d'obstacles à proximité de la station de chargement. Déplacez-le vers un espace ouvert.</li><li>• Le robot est trop loin de la station de chargement. Placez-le plus près et réessayez.</li></ul>
Comportement anormal	<ul style="list-style-type: none"><li>• Redémarrez le nettoyage.</li></ul>
Bruit durant le nettoyage	<ul style="list-style-type: none"><li>• La brosse principale, la brosse latérale, les roulettes principales ou la roulette omnidirectionnelle sont peut-être coincées. Éteignez le robot et nettoyez-les.</li><li>• Erreur système VibraRise. Vérifiez les objets coincés.</li></ul>
Impossible de se connecter au WiFi	<ul style="list-style-type: none"><li>• Le WiFi est désactivé. Réinitialisez le WiFi et réessayez.</li><li>• Le signal WiFi est mauvais. Déplacez le robot vers une zone où la réception WiFi est bonne.</li><li>• Connexion WiFi anormale. Réinitialisez le WiFi, téléchargez la toute dernière application mobile, puis réessayez.</li><li>• Le robot Roborock actuel n'est pas pris en charge. Vous pouvez trouver les modèles pris en charge dans l'application.</li><li>• Subitement impossible de se connecter au WiFi. Il y a peut-être une erreur liée aux paramètres de votre routeur. Contactez le service client de Roborock pour obtenir de l'aide supplémentaire.</li></ul>

# Problèmes courants

Problème	Solution
Mauvaise capacité de nettoyage ou de la poussière retombe	<ul style="list-style-type: none"><li>• Le bac à poussière est plein et doit être vidé.</li><li>• Le filtre est obstrué et doit être nettoyé.</li><li>• La brosse principale est coincée et doit être nettoyée.</li></ul>
Le nettoyage planifié ne fonctionne pas	<ul style="list-style-type: none"><li>• Gardez le robot chargé. Le nettoyage planifié ne peut commencer que lorsque le niveau de la batterie est supérieur à 20 %.</li></ul>
L'alimentation est-elle toujours consommée lorsque le robot est sur la station de chargement ?	<ul style="list-style-type: none"><li>• Le robot consomme de l'alimentation lorsqu'il est sur sa station pour maintenir les performances de la batterie, mais cette consommation d'alimentation est minimale.</li></ul>
Le robot doit-il être rechargé pendant au moins 16 heures les trois premières fois que vous l'utilisez ?	<ul style="list-style-type: none"><li>• Non. Le robot peut être utilisé à tout moment une fois qu'il a été entièrement rechargé.</li></ul>
Pas d'eau ou peu d'eau lors d'un nettoyage à la serpillière	<ul style="list-style-type: none"><li>• Vérifiez s'il y a de l'eau dans le réservoir d'eau et réglez l'intensité de frottement l'aide de l'application mobile, ou consultez le manuel pour obtenir des instructions complètes sur la marche suivre pour installer correctement la serpillière et le support de la serpillière.</li></ul>
Le nettoyage ne reprend pas après le rechargement	<ul style="list-style-type: none"><li>• Assurez-vous que le robot n'est pas en mode NPD. Le mode NPD empêchera le nettoyage. Lorsque vous nettoyez un espace exigeant un rechargement d'appoint de la batterie, si vous avez placé manuellement le robot sur la station de chargement avant qu'il n'y revienne automatiquement, il ne pourra pas continuer le nettoyage.</li></ul>
Le robot ne peut pas revenir à la station de chargement après un nettoyage localisé ou lorsqu'il a été déplacé manuellement	<ul style="list-style-type: none"><li>• Après un nettoyage localisé ou un changement de position considérable, le robot régénérera la carte. Si la station de chargement est trop loin, il ne sera peut-être pas en mesure d'y revenir pour se recharger et devra alors y être placé manuellement.</li></ul>
Le robot a commencé à manquer certains points	<ul style="list-style-type: none"><li>• Le capteur de murs ou les capteurs de vide sont peut-être sales. Essuyez-les avec un chiffon doux sec.</li></ul>
Le remplissage du réservoir d'eau prend beaucoup de temps	<ul style="list-style-type: none"><li>• Le filtre est peut-être obstrué et doit être nettoyé.</li></ul>



# **Roborock S7 Manual del usuario de la aspiradora robótica**

Lea este manual del usuario con atención antes de usar el producto y guárdelo adecuadamente para consultas futuras.

## **Español**

# Índice

089	Información de seguridad
092	Declaración de FCC IC
094	Batería y carga
095	Función de ahorro de energía en vacaciones
096	Descripción general del producto
102	Instalación
107	Conectar con la aplicación
109	Instrucciones
113	Mantenimiento rutinario
123	Parámetros básicos
124	Errores
126	Problemas comunes



# Información de seguridad

## INSTRUCCIONES DE SEGURIDAD IMPORTANTES

Al usar un electrodoméstico eléctrico, siempre deben respetarse las precauciones básicas, incluidas las siguientes: LEA TODAS LAS INSTRUCCIONES ANTES DE USAR (ESTE ELECTRODOMÉSTICO). Si no se siguen las instrucciones y las advertencias, puede producirse una descarga eléctrica, incendios o lesiones graves.

## ADVERTENCIA

Para reducir el riesgo de incendios, descargas eléctricas o lesiones:

- No lo use al aire libre ni en superficies mojadas.
- No permita que se use como un juguete. Preste especial atención cuando lo usan niños y cuando se usa cerca de niños, mascotas o plantas.
- Úselo solo como se describe en este manual. Use solo los accesorios recomendados por el fabricante.
- No lo use si el cable o el enchufe está dañado. Si el electrodoméstico no funciona como debería, se golpeó, se dañó, se dejó al aire libre o se cayó al agua, llévelo a un centro de servicio.
- No tire ni lo lleve del cable, no use el cable como mango, no cierre una puerta en el cable, no pase el cable por esquinas o bordes filosos.
- No use el electrodoméstico encima del cable. Mantenga el cable alejado de superficies calientes.
- No lo desenchufe tirando del cable. Para desenchufarlo, tome el enchufe, no el cable.
- No manipule el cargador, incluido el enchufe del cargador, y los terminales del cargador con las manos mojadas.
- No coloque ningún objeto en los orificios. No lo use con los orificios tapados; manténgalo sin polvo, pelusas, cabellos o elementos que puedan reducir el flujo de aire.
- Mantenga el cabello, la ropa suelta, los dedos y todas las partes del cuerpo lejos de los orificios y las partes móviles.
- No lo use para recoger líquidos inflamables o combustibles, como gasolina, ni lo use en áreas donde pueda haber estos líquidos.
- No recoja nada que esté quemado o humeante, como cigarrillos, cerillas o cenizas calientes.
- No lo use sin la bolsa de polvo.

# Información de seguridad

- Evite encenderlo accidentalmente. Asegúrese de que el interruptor esté en la posición de apagado antes de conectar la batería, recoger algo o trasladar el electrodoméstico. Si traslada el electrodoméstico con el dedo en el interruptor o cuando está encendido, puede haber accidentes.
- Solo se puede usar con el cargador roborock CDZ11RR o CDZ12RR. Recárguelo únicamente con el cargador especificado por el fabricante. Un cargador que es adecuado para un tipo de batería podría provocar un riesgo de incendio si se usa con otra batería.
- Use los electrodomésticos solo con las baterías designadas específicamente. Si se usa otra batería, podría haber un riesgo de lesión o incendio.
- Apague el electrodoméstico antes de hacer ajustes, cambiar accesorios o guardarlo. Estas medidas de seguridad preventivas reducen el riesgo de encender el electrodoméstico accidentalmente.
- Cuando la batería no esté en uso, guárdela lejos de objetos metálicos, como clips para papel, monedas, llaves, clavos, tornillos u otros objetos metálicos pequeños, que puedan hacer una conexión entre terminales. Provocar un cortocircuito entre los terminales de la batería puede causar quemaduras o un incendio.
- En condiciones extremas, puede salir líquido de la batería; evite el contacto con este. Si entra en contacto accidentalmente, enjuáguese con agua. Si el líquido le entra en los ojos, también busque atención médica. El líquido que sale de la batería puede provocar irritación o quemaduras.
- No use una batería ni un electrodoméstico si están dañados o modificados. Las baterías dañadas o modificadas pueden tener un comportamiento impredecible que puede provocar incendios, explosiones o riesgo de lesión.
- No esponga la batería ni el electrodoméstico al fuego o a temperaturas excesivas. La exposición al fuego o a temperaturas superiores a 130 °C (266 °F) puede causar una explosión.
- Siga todas las instrucciones de carga y no cargue la batería ni el electrodoméstico fuera del rango de temperaturas especificado en las instrucciones. La carga incorrecta o a temperaturas fuera del rango especificado puede dañar la batería y aumentar el riesgo de incendio.
- El servicio debe hacerlo una persona calificada en reparaciones usando solo repuestos idénticos. De este modo, se garantiza el mantenimiento de la seguridad del producto.
- No modifique ni intente reparar el electrodoméstico ni la batería, salvo según lo indicado en las instrucciones de uso y cuidado.
- Coloque los cables de otros electrodomésticos fuera del área para limpiar.

# Información de seguridad

- No ponga en funcionamiento la aspiradora en una habitación donde esté durmiendo un bebé o un niño.
- No ponga en funcionamiento la aspiradora en un lugar donde haya velas encendidas u objetos frágiles en el piso que se va a limpiar.
- No ponga en funcionamiento la aspiradora en una habitación que tenga velas encendidas en muebles que la aspiradora pueda tocar o chocar accidentalmente.
- No permita que se sienten niños en la aspiradora.
- Riesgo de lesión. El cepillo puede encenderse imprevistamente. Desconecte el cepillo principal antes de la limpieza o el mantenimiento.
- No use el producto cuando la temperatura sea superior a 40 °C (104 °F) o inferior a 4 °C (39 °F), o si hay líquidos o sustancias pegajosas en el piso.

## GUARDE ESTAS INSTRUCCIONES

Solo para uso doméstico.

## Seguridad láser

Producto láser de clase 1, cumple con las normas 21 CFR 1040.10 y 1040.11 de la FDA, salvo en conformidad con IEC 60825-1 Ed. 3., según lo descrito en el Aviso de láser 56, con fecha del 8 de mayo de 2019.

# Declaración de FCC IC

<b>Información de cumplimiento</b>	
Nombre del producto	Aspiradora robótica con cargador base
Modelo del producto	Modelo de aspiradora robótica: roborock S7 Modelo de cargador base: CDZ11RR o CDZ12RR
Declaración de cumplimiento	<p>Este dispositivo cumple con la parte 15 de las Reglas FCC. Este dispositivo contiene transmisores/receptores exentos de licencias que cumplen con las RSS de exención de licencias de Innovation, Science and Economic Development Canada. El funcionamiento está sujeto a las siguientes dos condiciones: (1) Este dispositivo no puede causar interferencia dañina, y (2) este dispositivo debe aceptar cualquier interferencia recibida, incluida la interferencia que pueda provocar un funcionamiento no deseado.</p>
<b>Correspondencia de la parte responsable en EE. UU.</b>	
Empresa	Roborock Technology Co.
Dirección	108 West 13th Street, Wilmington, Delaware 19801.
Correo electrónico	support@roborock.com

# Declaración de FCC IC

## Advertencia

Cualquier cambio o modificación de esta unidad no aprobada expresamente por la parte responsable del cumplimiento podría anular la autoridad del usuario para utilizar el equipo.

Este equipo se probó y se demostró que cumple con los límites para los dispositivos digitales de clase B, en virtud de la sección 15 de las Reglas FCC. Estos límites están diseñados para proteger contra la interferencia dañina en una instalación residencial. Este equipo genera usos y puede emitir energía de radiofrecuencia y, si no se instala y no se usa de acuerdo con estas instrucciones, puede provocar interferencia dañina en las radiocomunicaciones. Sin embargo, no hay garantía de que no haya interferencia en una instalación específica. Si este equipo provoca interferencia dañina para la recepción de radio o televisión, lo cual puede determinarse apagando y encendiendo el equipo, se recomienda al usuario que intente conectar la interferencia con una o más de las siguientes medidas:

- Reoriente o reubique la antena receptora.
- Aumente la separación entre el equipo y el receptor.
- Conecte el equipo en una toma de un circuito diferente al que está conectado el receptor.
- Consulte con el distribuidor o con un técnico de radio/TV para recibir ayuda.

## Requisitos de MPE

Para satisfacer los requisitos de exposición de FCC/IC RF, se debe mantener una distancia de 20 cm o más entre la antena de este dispositivo y las personas durante el funcionamiento del dispositivo. Para garantizar el cumplimiento, no se recomienda ponerlo en funcionamiento a menos de esta distancia.

CAN ICES-3 (B)/NMB-3(B)

# Batería y carga

- Mantenga la base de carga lejos de fuentes de calor (como radiadores).
- No limpie los contactos de carga con un trapo húmedo o con las manos mojadas.
- Apague el robot y use el empaque original para el envío.
- Si guarda el robot, cárguelo por completo y apáguelo antes de colocarlo en un lugar seco y fresco. Recárguelo, al menos, cada tres meses para evitar la descarga excesiva de la batería.
- No use el producto cuando la temperatura sea superior a 40 °C (104 °F) o inferior a 4 °C (39 °F), o si hay líquidos o sustancias pegajosas en el piso.

Temperatura de carga de la batería		4 °C - 40 °C (39 °F - 104 °F)	Corriente de carga máx.: 0,5 C
Temperatura de uso de la batería		4 °C - 40 °C (39 °F - 104 °F)	Corriente de descarga máx.: 0,5 C
Temperatura de almacenamiento de la batería	Almacenamiento (1 mes)	-20 °C - 60 °C (-4 °F - 140 °F) con menos de 70 % de HR	Cuando se almacena a 25 °C (77 °F), el robot debe recargarse cada tres meses.
	Almacenamiento prolongado (3 meses)	-20 °C - 45 °C (-4 °F - 113 °F) con menos de 70 % de HR	
	Almacenamiento prolongado (1 año)	-20 °C - 20 °C (-4 °F - 68 °F) con menos de 70 % de HR	

# Función de ahorro de energía en vacaciones

Cuando el robot está en la base, mantenga presionado "Base" durante 10 segundos o hasta que suene la alerta. Así activa el modo de vacaciones.

En este modo, el robot cambia al modo de baja energía para minimizar el consumo de energía. Incluye la atenuación del indicador led y la suspensión de todas las funciones no relacionadas con la carga, como la limpieza, el control remoto por WiFi y más.

Para desactivar el modo de vacaciones, mantenga presionado "Base" durante 10 segundos hasta que se encienda el indicador led.

# Descripción general del producto

## Robot

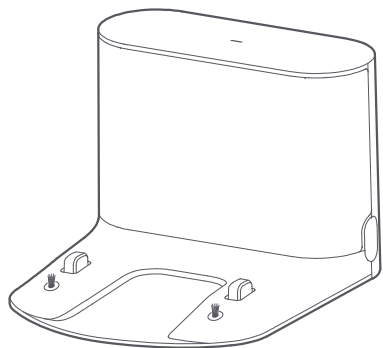


**Nota:** Presione cualquier botón para pausar el robot al limpiar o regresar a la base.

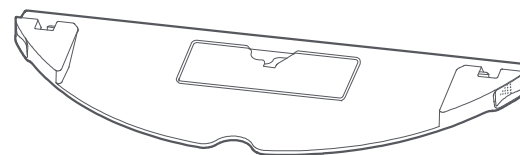


# Descripción general del producto

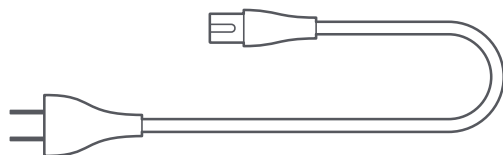
## Lista de partes



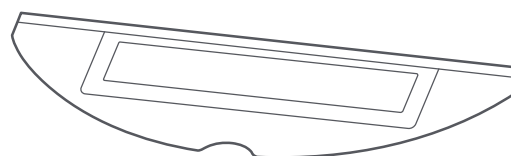
Base de carga



Montaje del fregador VibraRise



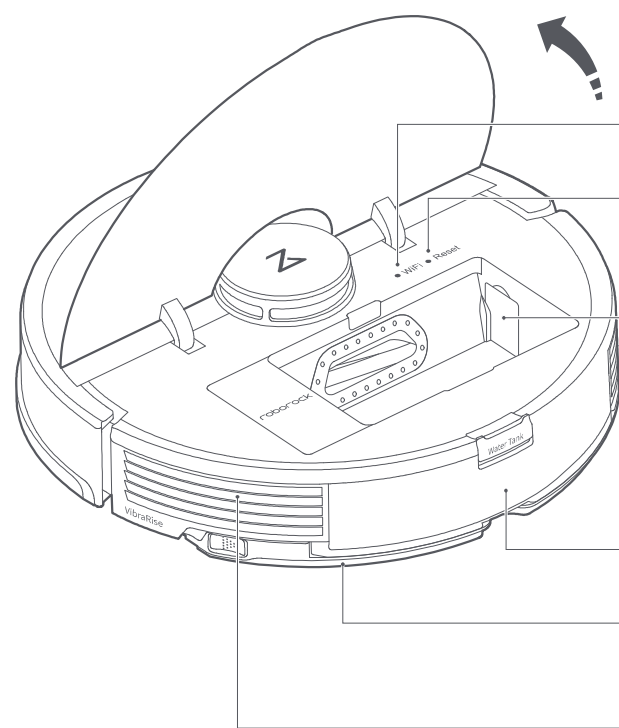
Cable de alimentación



Fregador VibraRise

# Descripción general del producto

## Robot



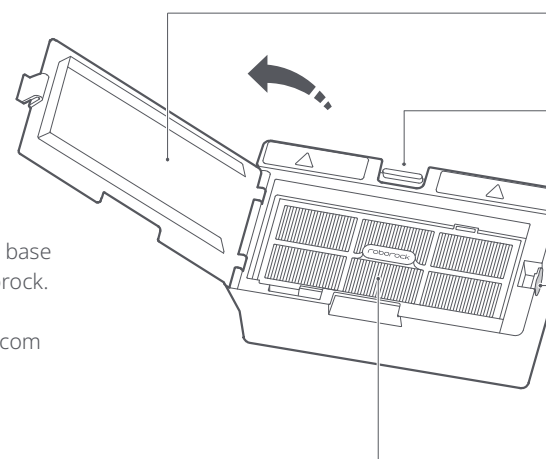
- Indicador de WiFi
- Restablecimiento del sistema

### Entrada de aire

**Nota:** Retire esta pieza si usa la base de vaciado automático de Roborock. Disponible para comprar por separado. Visite [www.roborock.com](http://www.roborock.com) para obtener detalles.

- Tanque de agua
- Montaje del fregador VibraRise
- Ventilación de aire

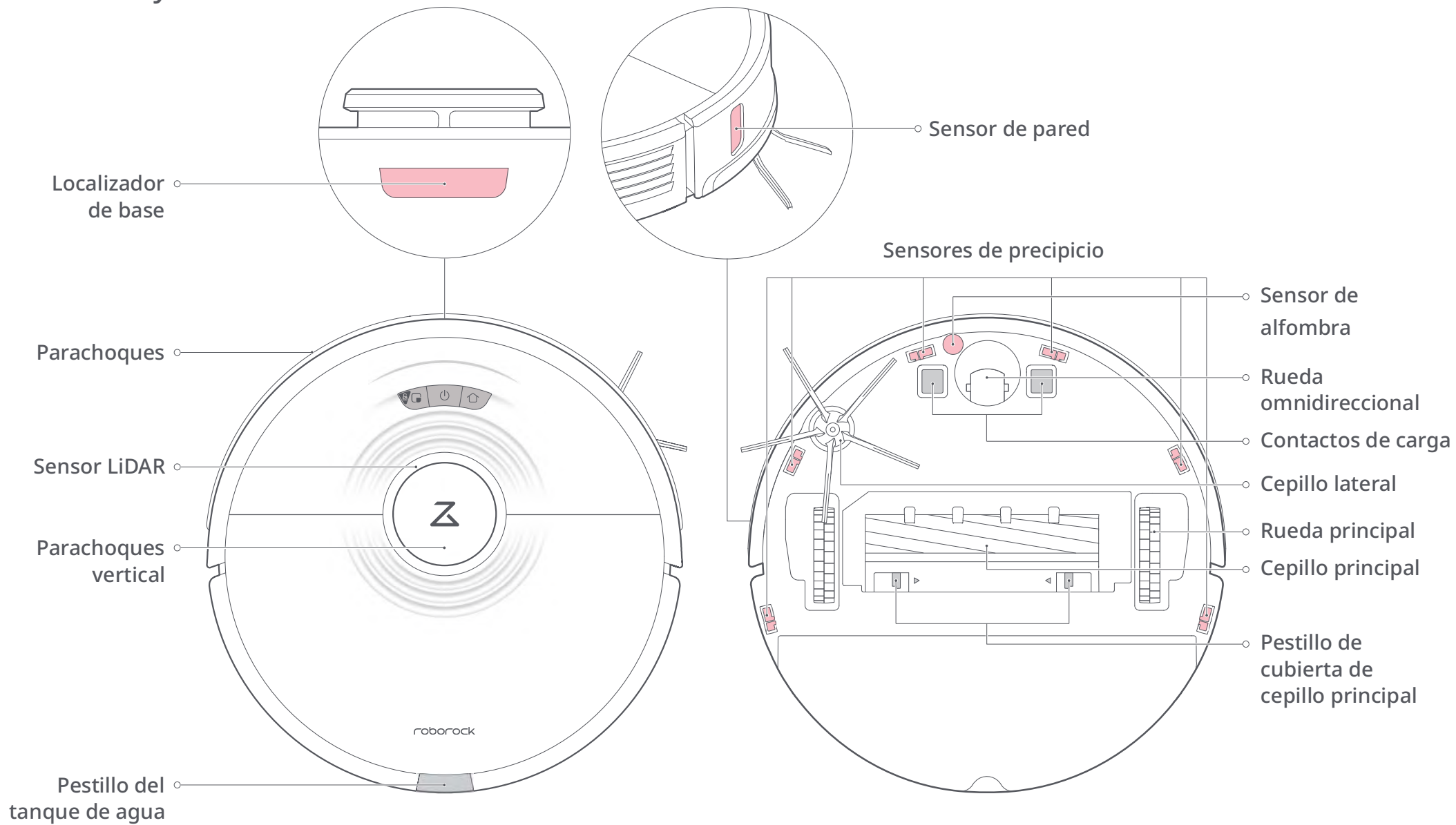
## Contenedor de polvo



- Cubierta de filtro
- Pestillo del contenedor de polvo
- Pestillo de cubierta de filtro
- Filtro lavable

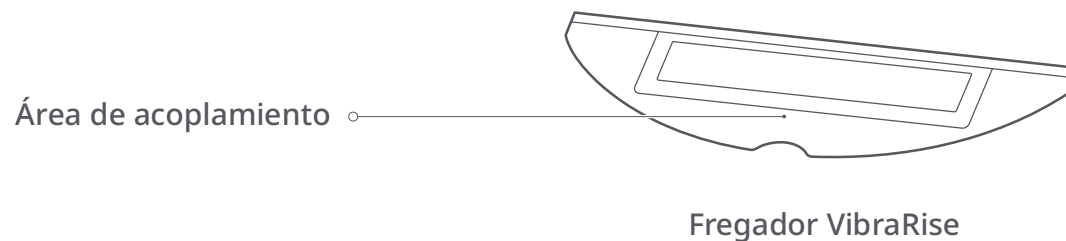
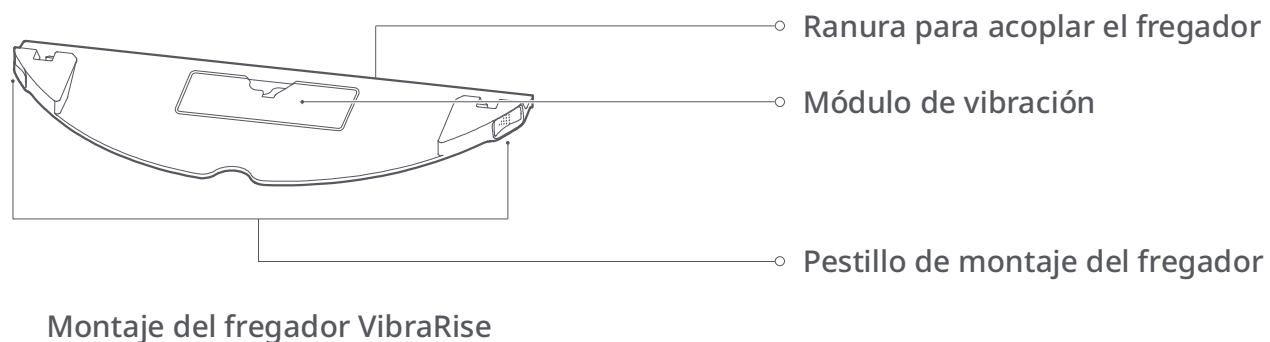
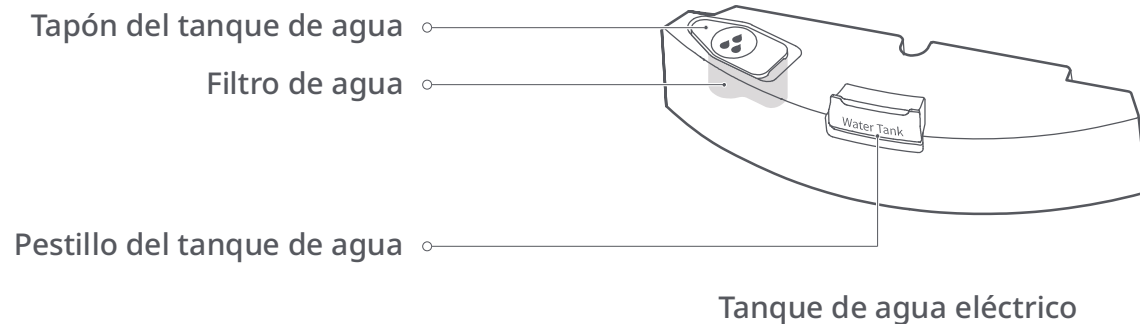
# Descripción general del producto

## Robot y sensores



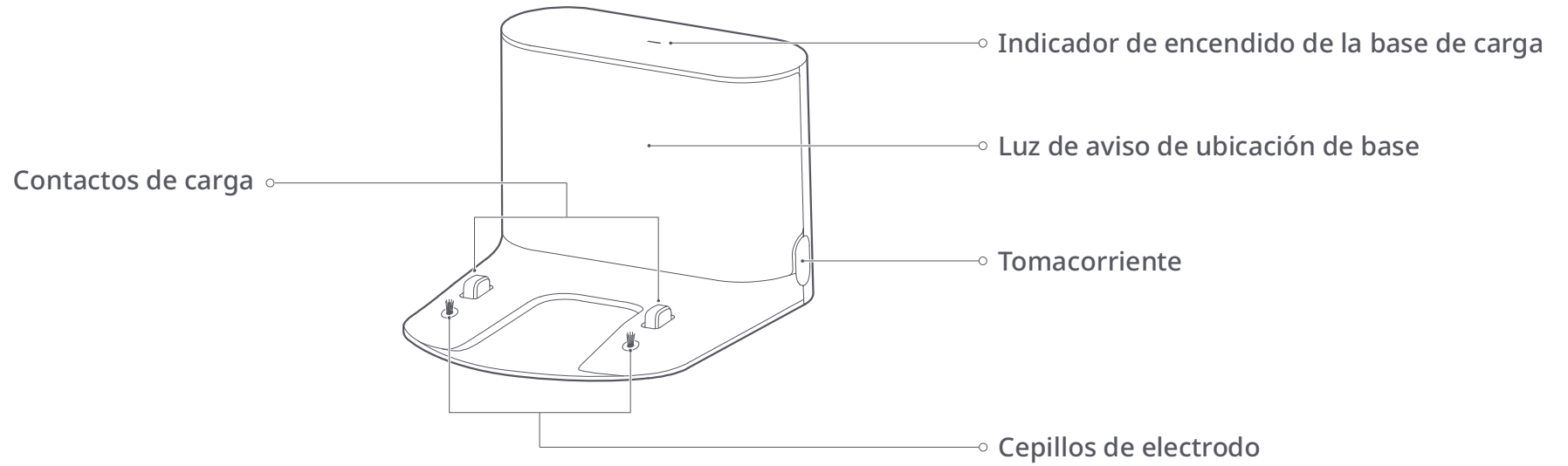
# Descripción general del producto

## Módulo VibraRise



# Descripción general del producto

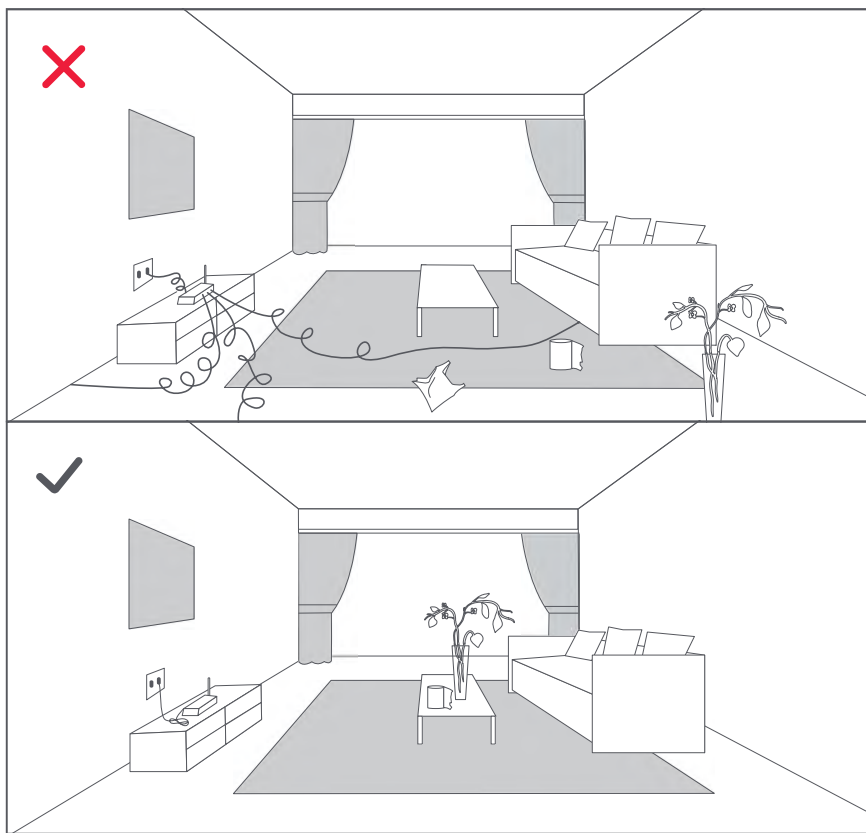
## Base de carga



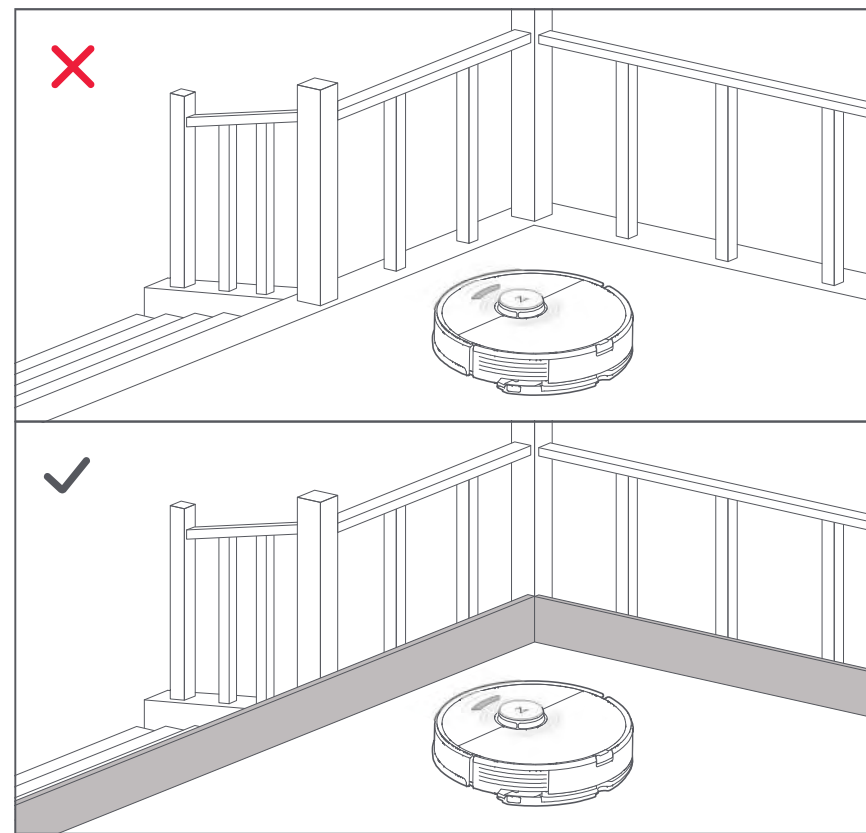
# Instalación

## Importante

1. Ordene los cables o artículos sueltos del piso y retire los objetos inestables, frágiles, importantes o peligrosos para evitar lesiones personales o daños a la propiedad debido a que las cosas se enreden en el robot, lo obstruyan o resulten golpeadas por él.



2. Si utiliza el robot en una superficie elevada, use siempre una barrera física para evitar caídas accidentales que podrían provocar lesiones personales o daños a la propiedad.

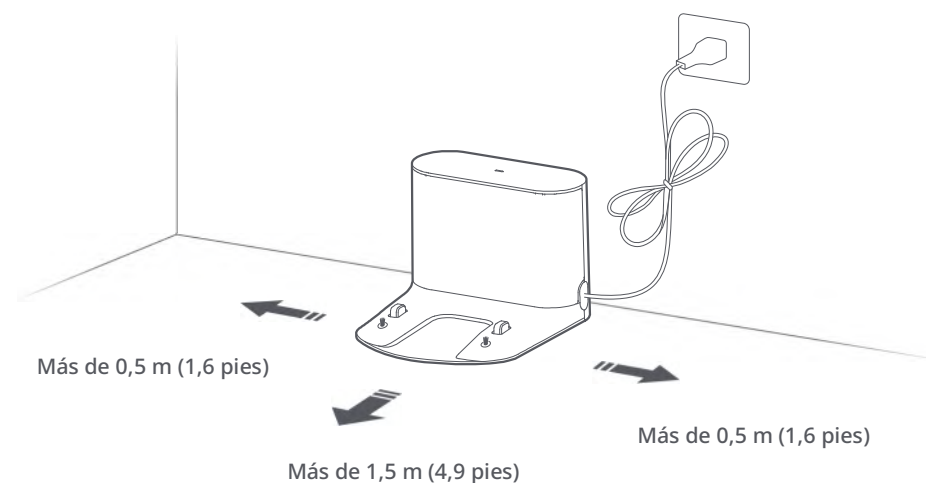


**Nota:** Cuando utilice el robot por primera vez, sígalo todo el recorrido de limpieza y verifique que no haya obstáculos importantes. El robot podrá limpiar por sí solo en los futuros usos.

# Instalación

## 1 Posicionar la base de carga

Mantenga la base de carga sobre una superficie nivelada y plana, contra una pared. Conecte el cable de alimentación a la base de carga y ordene los cables para que no queden en el piso. Para garantizar una mejor experiencia del usuario con la aplicación móvil, coloque la base de carga en un lugar donde haya buena señal de WiFi.

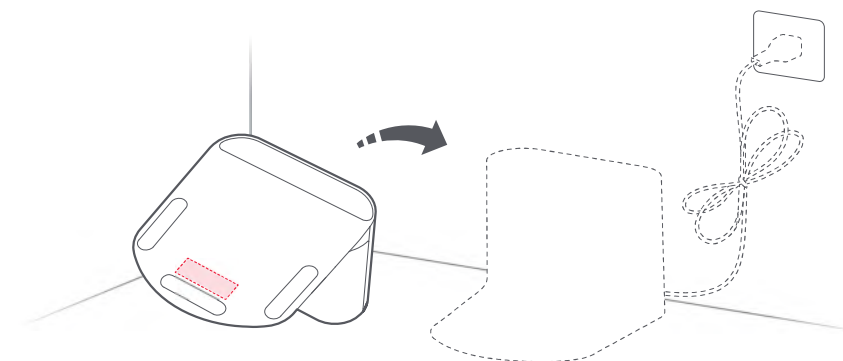


### Nota:

- Deje al menos 0,5 m (1,6 pies) de espacio libre en los laterales y más de 1,5 m (4,9 pies) delante de la base de carga.
- Si el cable de alimentación cuelga verticalmente al piso, podría ser atrapado por el robot, lo que ocasionaría que la base de carga se desconecte.
- El indicador de la base de carga está encendido cuando ésta recibe electricidad y apagado cuando el robot está en carga.
- No coloque la base de carga en lugares que estén directamente expuestos a la luz solar ni bloquee la luz de aviso de ubicación de base. De lo contrario, es probable que el robot no regrese automáticamente a la base de carga.
- Use la cinta doble faz para pegar la parte inferior de la base de carga.

## 2 Fijar la base de carga con la cinta adhesiva

Con un paño seco, limpie la superficie de la zona donde se colocará la base de carga, y luego fije la base al lugar con la cinta doble faz en la parte inferior de la base.




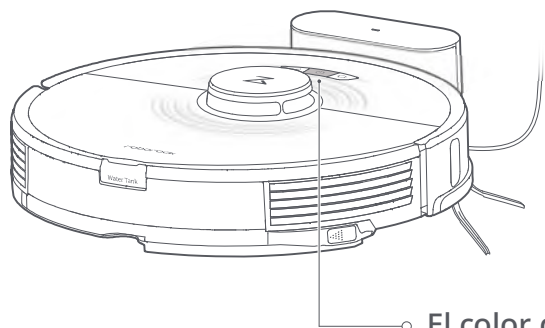
### Nota:

- El uso de la cinta doble faz para fijar la base de carga es opcional.
- Cuando sea necesario, retire la cinta adhesiva doble faz lentamente para reducir el residuo de pegamento.

# Instalación

## 3 Encender y cargar el robot

Presione y mantenga presionado el botón  para encender el robot. Cuando se encienda la luz de encendido, colóquelo en la base para cargar. Para mantener el desempeño de la batería recargable de iones de litio de alto rendimiento, mantenga el robot cargado.



El color del indicador de encendido indica el nivel de batería:

- Blanco: nivel de batería  $\geq 20\%$
- Rojo: nivel de batería  $< 20\%$

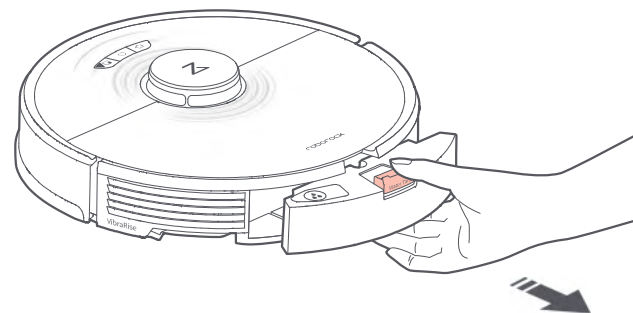
**Nota:** Es posible que el robot no encienda cuando la batería está baja. En ese caso, coloque el robot directamente en la base para cargarlo.

## 4 Fregar el piso

**Nota:** Para evitar la acumulación excesiva de suciedad en el fregador, los pisos se deben aspirar al menos tres veces antes del primer ciclo de fregado.

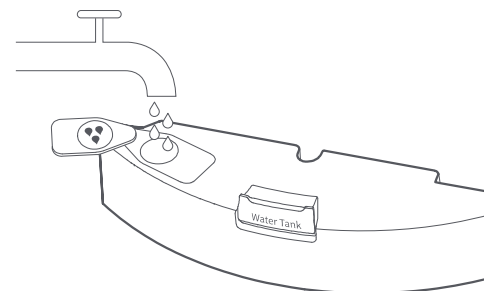
### 1. Retirar el tanque de agua

Afloje el pestillo del tanque de agua y deslice el tanque hacia atrás.



### 2. Llenar el tanque de agua

Abra el tanque de agua, llénelo de agua y ciérrelo bien.



**Nota:**

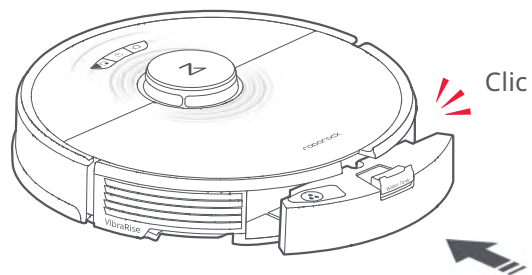
- Llénelo solo con agua. Los líquidos de limpieza o los desinfectantes pueden corroer el tanque de agua.
- Use solamente agua fría o a temperatura ambiente. El agua caliente podría deformar el tanque de agua.



# Instalación

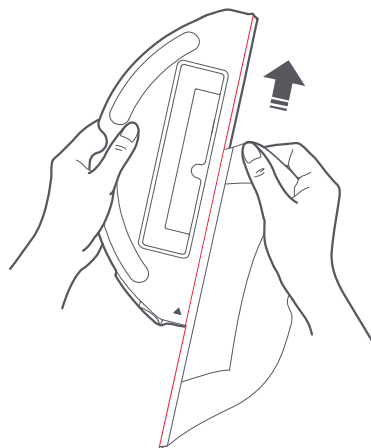
## 3. Volver a colocar el tanque de agua

Deslice el tanque de agua a lo largo de las ranuras hasta que se escuche un clic para indicar que está en su lugar.



## 4. Instalar el fregador VibraRise

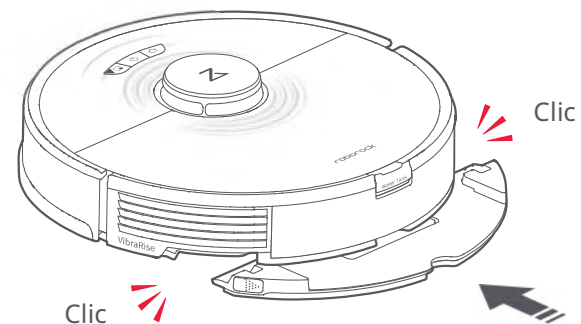
Humedezca el fregador VibraRise y apriételo para quitar el exceso de agua. Deslícelo a lo largo de la ranura de acople y afírmelo en el lugar.



**Nota:** Solo utilice el fregador VibraRise oficial con este producto.

## 5. Instalar el montaje del fregador VibraRise

Deslice el montaje del fregador VibraRise a lo largo de la parte inferior del tanque de agua hasta que se escuche un clic que indica que está en su lugar.

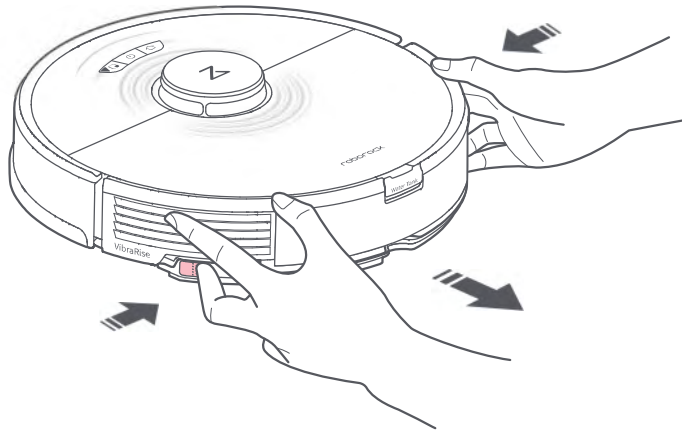


**Nota:** Limpie el fregador VibraRise después de fregar 60 minutos, a fin de mantener el flujo de agua y la calidad de la limpieza.

# Instalación

## 6. Retirar el montaje del fregador VibraRise

Después de regresar a la base, retire el montaje del fregador VibraRise. Para ello, presione ambos pestillos laterales y deslícelo hacia atrás.

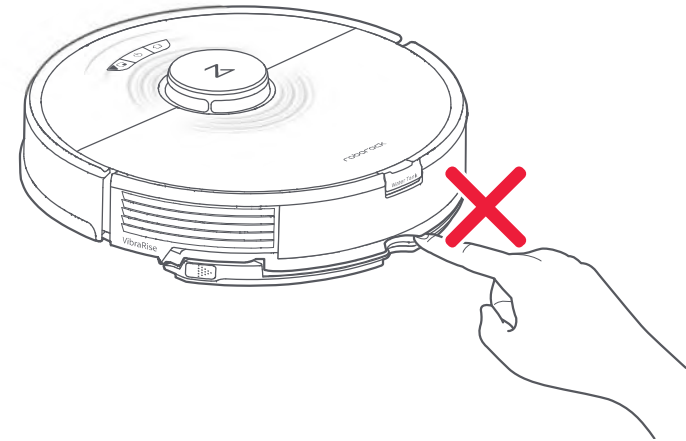


### Nota:

- Lave el montaje del fregador VibraRise luego de cada uso, y vacíe en forma regular el agua que haya quedado sin usar en el tanque de agua.
- Retire el montaje del fregador VibraRise cuando no esté fregando. El tanque de agua se puede mantener en su lugar.

## ⚠ ADVERTENCIA

Riesgo de lesiones. No coloque los dedos entre el montaje de fregador VibraRise y el tanque de agua.



# Conectar con la aplicación

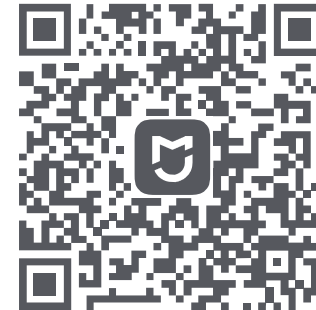
Este robot admite tanto la aplicación Roborock como la aplicación Mi Home. Elija la que mejor se adapte a sus necesidades.

## 1 Descargar la aplicación

1. Busque "Roborock" en App Store o en Google Play o bien escanee el código QR para descargar e instalar la aplicación.





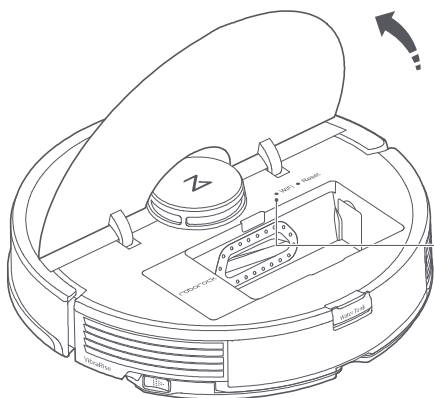
2. Busque "Mi Home" en App Store o en Google Play o bien escanee el código QR para descargar e instalar la aplicación.



# Conectar con la aplicación

## 2 Restablecer la conexión WiFi

1. Abra la cubierta superior y busque el indicador de WiFi.
2. Presione y mantenga presionados los botones  y  hasta escuchar la alerta de voz "Resetting WiFi" (Restableciendo WiFi). El restablecimiento está completo cuando el indicador de WiFi parpadea lentamente. El robot luego esperará una conexión.



### Luz indicadora de WiFi

- Apagada: WiFi deshabilitado
- Parpadea lentamente: esperando conexión
- Parpadea rápido: conectando
- Fija: WiFi conectado

**Nota:** Si no puede conectar el robot debido a la configuración de su enrutador, a que olvidó la contraseña o cualquier otro motivo, restablezca la conexión WiFi y agregue su robot como un nuevo dispositivo.

## 3 Agregar el dispositivo



En la página de inicio de la aplicación, toque "+" en la esquina superior derecha y siga las indicaciones para agregar un dispositivo.

### Nota:

- El proceso real puede variar debido a actualizaciones de aplicaciones en curso. Siga las instrucciones proporcionadas en la aplicación.
- Solo se admite WiFi de 2.4 GHz.
- Si el robot espera más de 1 hora para conectarse, la conexión WiFi se deshabilitará automáticamente. Si debe reconectar, restablezca la conexión WiFi antes de continuar.


# Instrucciones

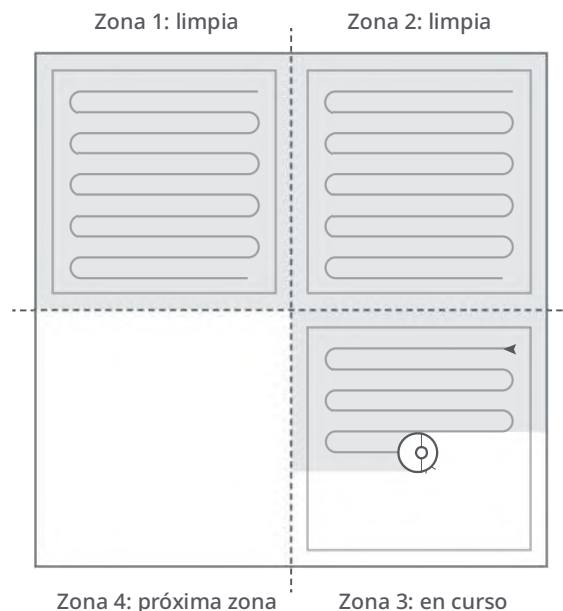
## Encendido/Apagado

Presione y mantenga presionado el botón  para encender el robot. El indicador de encendido se encenderá, y el robot entrará en modo de espera. Presione y mantenga presionado el botón  para apagar el robot y finalizar el actual ciclo de limpieza.

**Nota:** El robot no se puede apagar cuando está en carga.

## Comenzar a limpiar

Presione el botón  para comenzar a limpiar. El robot planificará su ruta en base a sus escaneos de la habitación. Luego divide cada habitación en cuadrados. Primero limpia los bordes del cuadrado y luego cubre el interior con un patrón de zig zag. Después de eso, pasa al próximo cuadrado hasta que se haya cubierto correctamente cada zona de cada habitación.



### Nota:

- La limpieza no puede comenzar si el nivel de batería es demasiado bajo. Deje que el robot se cargue antes de comenzar a limpiar.
- Antes de limpiar, retire los cables (incluido el cable de alimentación de la base de carga) y los artículos frágiles del piso. Los objetos y cables sueltos pueden atascarse en el robot, lo que provoca la desconexión o el daño de los cables y la propiedad.
- Si la limpieza se completa dentro de los 10 minutos, la superficie se limpiará dos veces.
- Si la batería se agota durante la limpieza, el robot regresará automáticamente a la base de carga para cargarse y luego continuará donde quedó.
- Si está colocado el montaje del fregador VibraRise, el robot elevará el montaje para limpiar las áreas con alfombras.

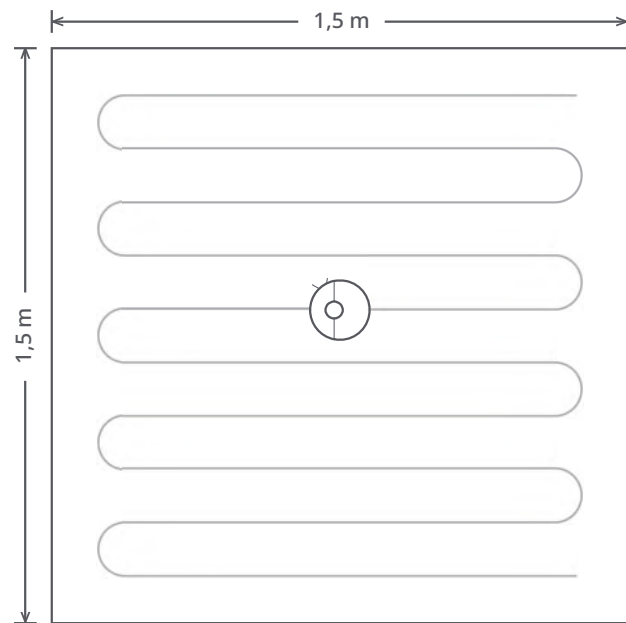
## Ajuste de modo

Use la aplicación para ajustar el poder de succión y la potencia de vibración.

# Instrucciones



## Limpieza localizada

Presione  para iniciar una limpieza localizada.  
Superficie: 1,5 m (4,9 pies) cuadrados centrados en el robot.




**Nota:** Luego de la limpieza localizada, el robot regresará al punto de inicio e ingresará al modo de espera.

## Pausa

Durante una limpieza, presione cualquier botón para pausar, presione  para continuar o presione  para enviar el robot de regreso a la base.

**Nota:** Si coloca el robot pausado en la base de carga, finalizará la limpieza actual.

## Rellenar el tanque de agua o limpiar el fregador VibraRise

Para agregar agua o limpiar el fregador VibraRise, presione cualquier botón para detener el robot y quite el módulo de fregado. Una vez que agregó agua o limpió el fregador VibraRise, vuelva a colocar el módulo de fregado y presione el botón  para continuar.

## Suspendido

Si el robot está inactivo durante más de 10 minutos, entrará en el modo Suspendido, y el indicador de encendido parpadeará una vez cada pocos segundos. Presione cualquier botón para activarlo.

### Nota:

- El robot no ingresará en modo Suspendido cuando está en carga.
- El robot se apagará automáticamente si quedó en el modo Suspendido durante más de 12 horas.

## Modo No molestar (DND)


El modo DND se habilita de manera predeterminada entre las 22:00 y las 08:00. Se puede deshabilitar o personalizar en la aplicación. En el modo DND, la limpieza se detiene, las indicaciones de voz se silencian y el indicador de encendido se atenúa.

## Bloqueo para niños

Con el bloqueo para niños activado, todos los botones están bloqueados cuando el robot está quieto.

# Instrucciones

## Carga

El robot regresará a la base de carga automáticamente después de finalizar. Si está en pausa, presione el botón  para enviarlo a la base de carga. El indicador de encendido respirará a medida que se cargue el robot.

**Nota:** Si el robot no puede encontrar la base de carga, regresará a la ubicación de inicio más reciente. Coloque el robot en la base de carga manualmente para recargarlo.

## Error

Si se produce un error, el indicador de encendido parpadeará en rojo rápidamente y se escuchará una alerta de voz. Consulte la sección "Errores" para encontrar soluciones.

**Nota:**


- El robot ingresará automáticamente al modo Suspendido si queda con un mensaje de error durante más de 10 minutos.
- Si coloca el robot con un estado de error en la base de carga, finalizará la limpieza actual.

## Restablecimiento del sistema

Si el robot no responde a las presiones de los botones o no se puede apagar, restablezca el sistema. El robot se reiniciará.

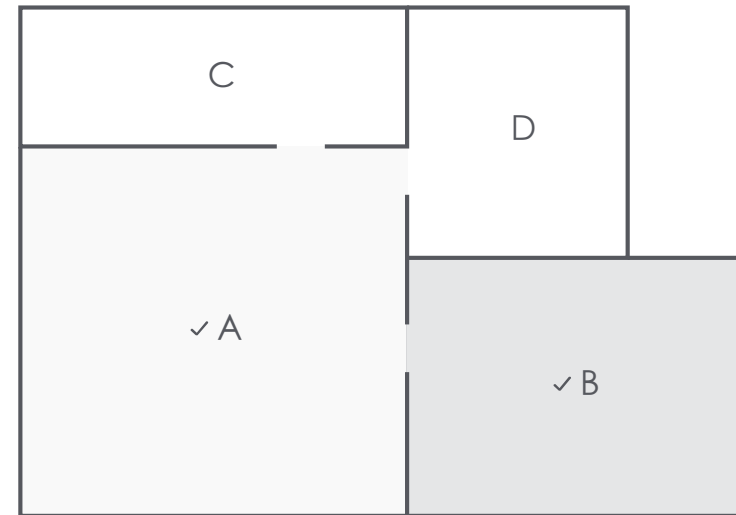
**Nota:** Luego de un restablecimiento del sistema, los programas de limpieza, WiFi y otros ajustes se restaurarán a los ajustes de fábrica.

## Restaurar a los ajustes de fábrica

Si el robot no funciona después de un restablecimiento del sistema, enciéndalo. Presione y mantenga presionado el botón  y al mismo tiempo presione el botón Restablecer hasta que se escuche la indicación de voz "Restoring the initial version" (Restaurando a la versión inicial). El robot luego se restaura a los ajustes de fábrica.

## Limpieza de habitaciones selectivas

El robot limpiará las áreas seleccionadas en la aplicación.



**Nota:**

- El modo Guardado de mapas debe estar activo, y se debe haber finalizado una limpieza completa antes de poder usar esta función.
- El robot puede ingresar a áreas no seleccionadas durante la limpieza. Retire los obstáculos del piso alrededor de las habitaciones seleccionadas, dado que el robot puede ingresar a estas áreas.

## Limpieza de zonas

El robot limpiará la o las zonas marcadas en la aplicación.

**Nota:** Mientras limpia la zona designada, el robot puede moverse fuera de los bordes de la zona. Asegúrese de que no haya cables ni obstáculos cerca de la zona de limpieza.

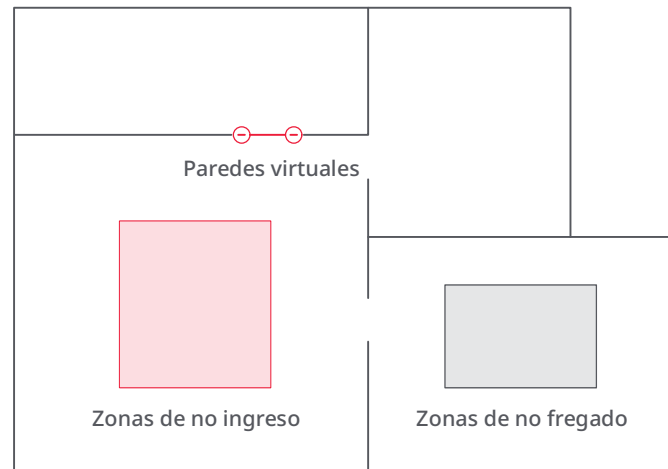
# Instrucciones

## Limpieza programada

Establezca programas de limpieza y, en el tiempo definido, el robot limpiará y regresará a la base.

## Zonas de no ingreso, zonas de no fregado y paredes virtuales

Use las zonas de no ingreso y paredes virtuales creadas en la aplicación para evitar el acceso a determinadas áreas y habitaciones. De manera predeterminada, las zonas de no ingreso se activarán cuando el montaje del fregador VibraRise está colocado.



### Nota:

- Solo se admiten las zonas de no ingreso y las paredes virtuales dentro de la aplicación.
- El modo Guardado de mapas debe estar activo, y se debe haber finalizado una limpieza completa antes de poder usar esta función.
- La zonas de no ingreso, zonas de no fregado y paredes virtuales se deben usar solamente para personalizar el área de limpieza. No deben emplearse para evitar peligros.
- Mover el robot manualmente o realizar cambios significativos al entorno puede ocasionar que se pierdan las zonas de no ingreso, zonas de no fregado y paredes virtuales.

## Actualizaciones de Firmware

Use la aplicación para actualizar el firmware del robot. Actualice cuando el robot esté en la base de carga y tenga al menos un 20 % de batería cargada. El indicador de encendido parpadeará rápidamente en blanco durante la actualización.

## Más funciones de la aplicación

Ver estado del robot	Mejora para alfombra
Vista de mapa en tiempo real	Historial de limpieza
Gestión de mapas	Programa de mantenimiento
Limpieza personalizada	Ajuste de volumen

**Nota:** Las funciones reales de la aplicación y los detalles pueden diferir levemente debido al desarrollo y actualizaciones permanentes.



# Mantenimiento rutinario

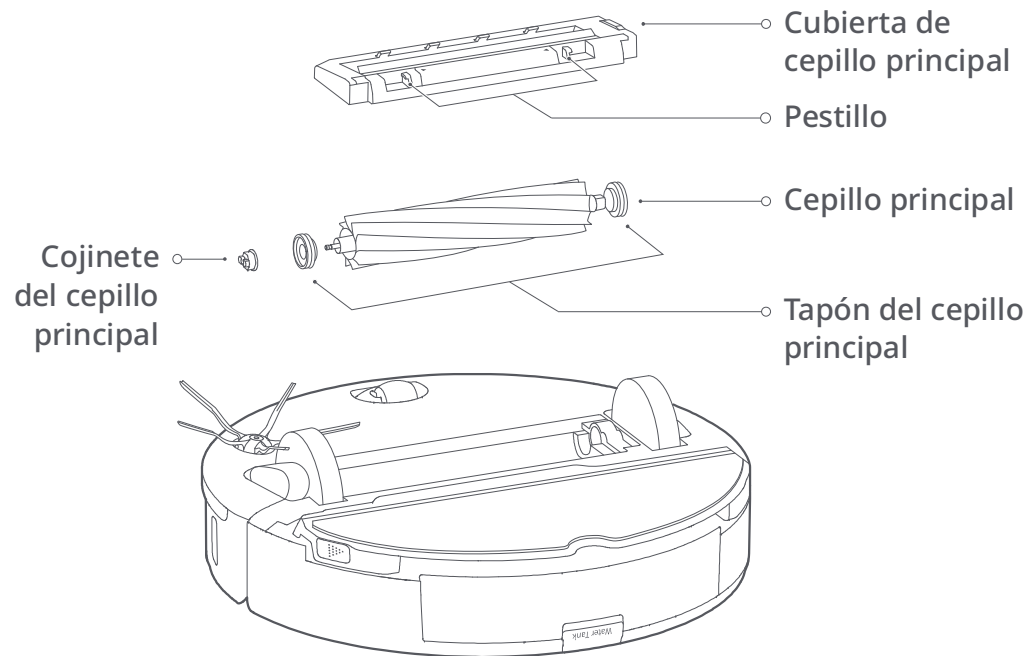
Para mantener el desempeño óptimo, realice el mantenimiento del robot de acuerdo con las siguientes reglas:

Parte	Frecuencia de mantenimiento	Frecuencia de reemplazo	Método de mantenimiento
Rueda omnidireccional	Según se requiera	/	Use un destornillador o herramienta similar para extraer los ejes. Enjuague, deje secar y presione la rueda nuevamente en su lugar.
Cepillo principal	2 semanas	6 a 12 meses	Gire los sujetadores de los tapones del cepillo principal en la dirección de desbloqueo y llévelos hacia abajo. Después de quitar el polvo acumulado alrededor del cepillo, vuelva a colocar los tapones del cepillo principal en la dirección de bloqueo.
Cepillo lateral	Todos los meses	3 a 6 meses	Use un destornillador para aflojar el cepillo lateral. Retire la suciedad atrapada y vuelva a enroscarlo en su lugar.
Filtro lavable	2 semanas	6 a 12 meses	Retire y enjuague, tocando suavemente para quitar la suciedad. Seque al aire durante al menos 24 horas antes de volver a usar.
Fregador VibraRise	Después de cada uso	3 a 6 meses	Retire y limpie el fregador después de cada uso.
Contactos de carga (robot)	Todos los meses	/	Límpielos con un paño seco y suave.
Contactos de carga (base de carga)	Todos los meses	/	Límpielos con un paño seco y suave.
Localizador de base	Todos los meses	/	Límpielo con un paño seco y suave.
Sensores de precipicio	Todos los meses	/	Límpielos con un paño seco y suave.
Sensor de alfombra	Todos los meses	/	Límpielo con un paño seco y suave.
Ruedas principales	Todos los meses	/	Límpielas con un paño seco y suave.

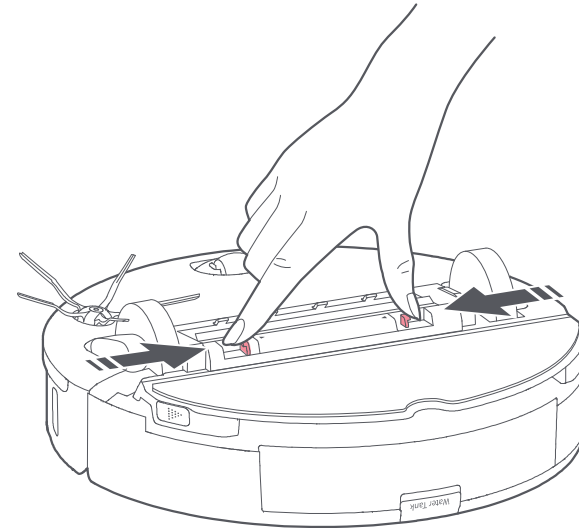
**Nota:** La frecuencia de reemplazo variará en función de la situación real. En caso de que se registre un desgaste inusual, reemplace la parte relevante.

# Mantenimiento rutinario

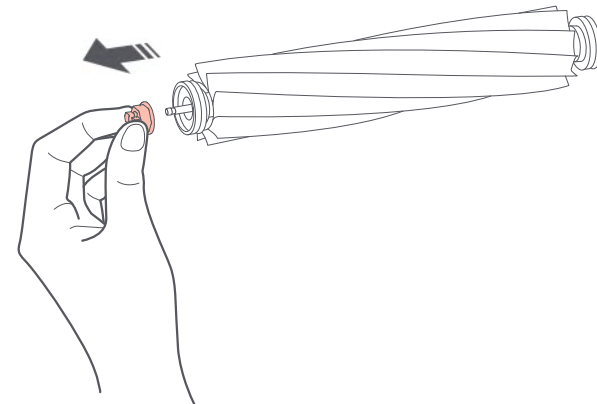
## Cepillo principal



1. Gire el robot y luego abra el pestillo y quite la cubierta de cepillo principal.

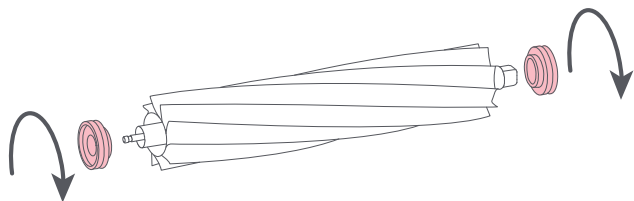


2. Quite el cepillo principal, luego retire y limpie los cojinetes.

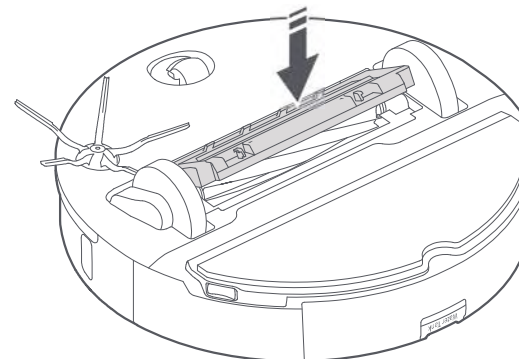
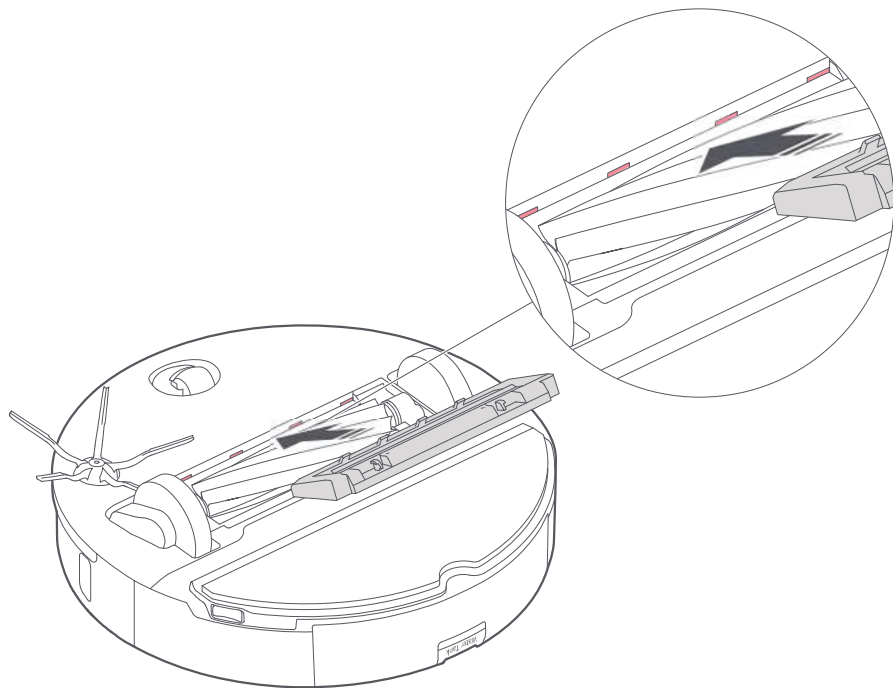


# Mantenimiento rutinario

3. Retire el tapón del cepillo principal, girándolo en dirección de desbloqueo. Después de limpiar, vuelva a colocarlo girando en dirección de bloqueo.



4. Después de quitar el cabello enredado o la suciedad a ambos extremos del cepillo principal, vuelva a colocarlo, presione en la cubierta de cepillo principal para que quede bloqueado en su lugar.

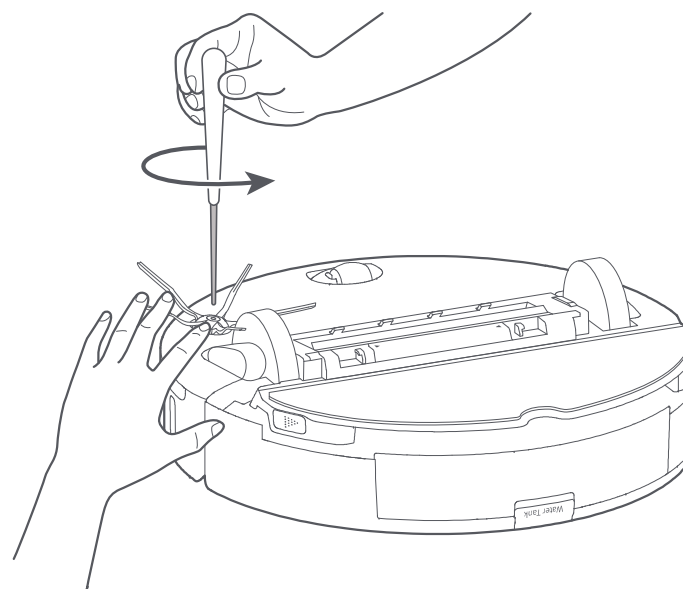


## Nota:

- Use un paño húmedo para limpiar el cepillo principal. Séquelo bien antes de usarlo para evitar la exposición directa al sol.
- No use detergente corrosivo o desinfectante para limpiar el cepillo principal.

## Cepillo lateral

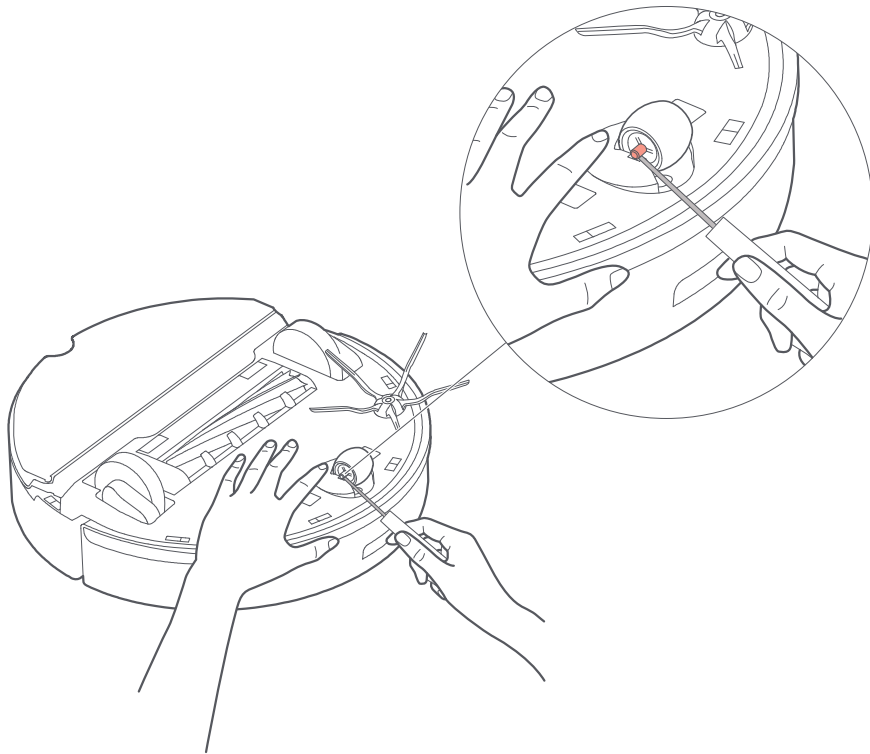
1. Desenrosque el cepillo lateral y quite la suciedad enredada.
2. Vuelva a colocarlo y ajústelo en su lugar.



# Mantenimiento rutinario

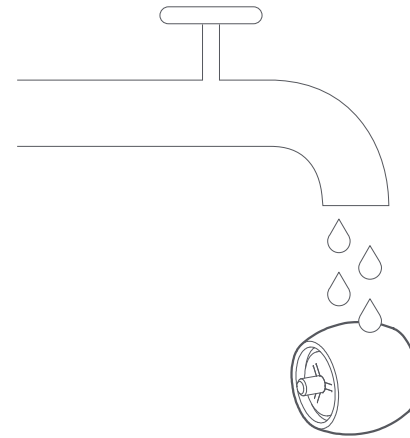
## Rueda omnidireccional

1. Use un destornillador pequeño o herramienta similar para extraer los ejes y quitar la rueda.



**Nota:** El soporte de la rueda omnidireccional no se puede quitar.

2. Enjuague la rueda y el eje para quitar el cabello o la suciedad.

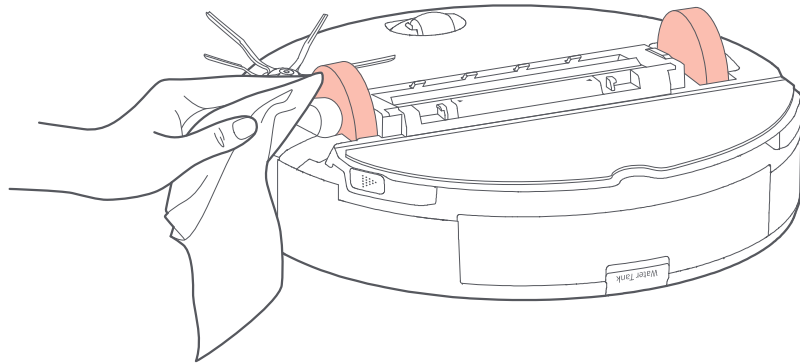


3. Seque y vuelva a colocar la rueda, presionando firmemente hasta colocarla en su lugar.

# Mantenimiento rutinario

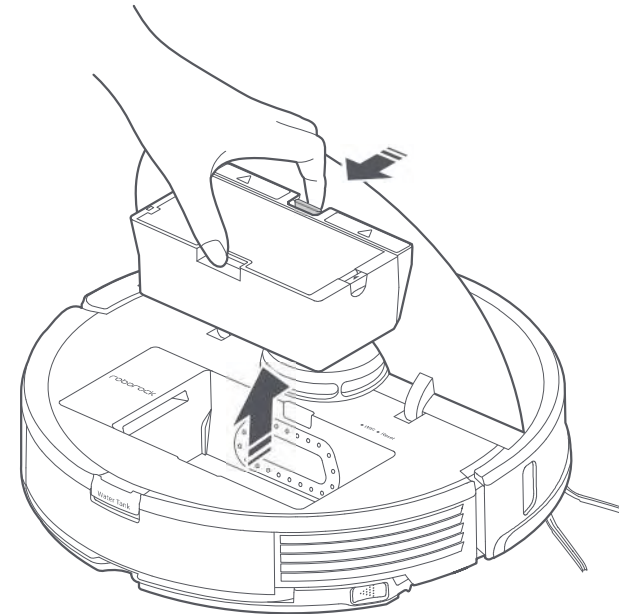
## Ruedas principales

Use un paño seco y suave para limpiar las ruedas principales.



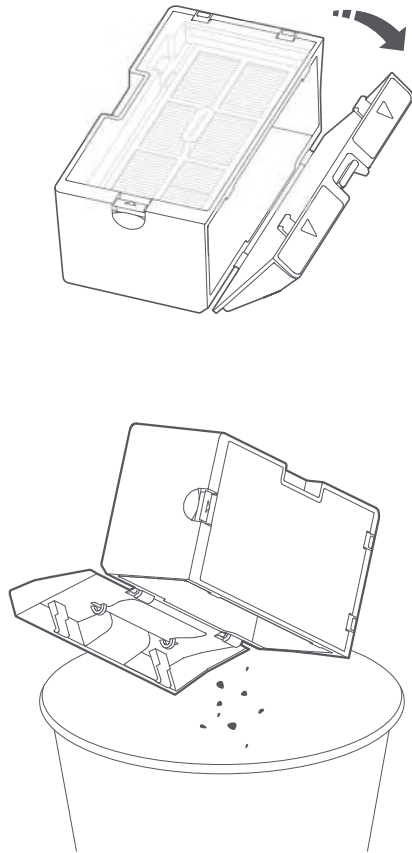
## Contenedor de polvo

1. Abra la cubierta superior del robot y quite el contenedor de polvo.

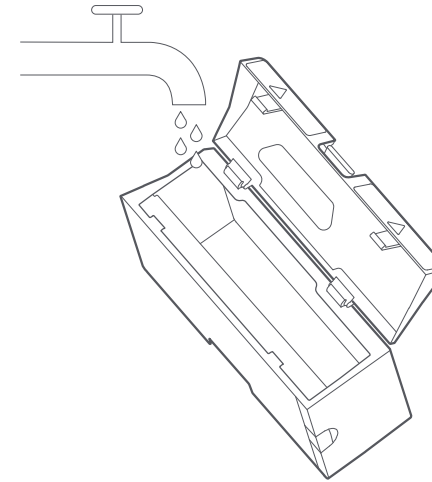


# Mantenimiento rutinario

2. Abra la tapa y vacíe el contenedor de polvo.

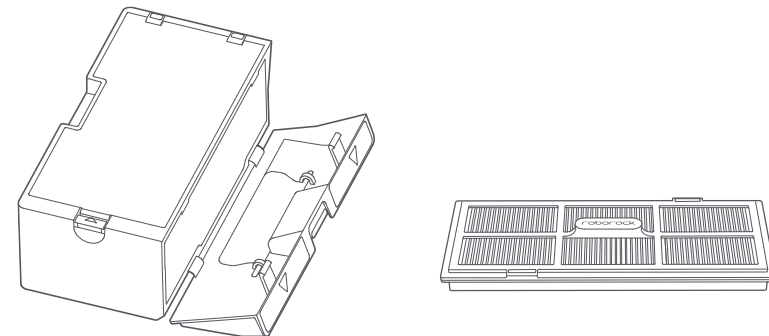


3. Llénelo con agua limpia y cierre la tapa. Agite suavemente el contenedor de polvo y luego vierta el agua sucia.



**Nota:** Para evitar obstrucciones, use solamente agua corriente sin líquidos de limpieza.

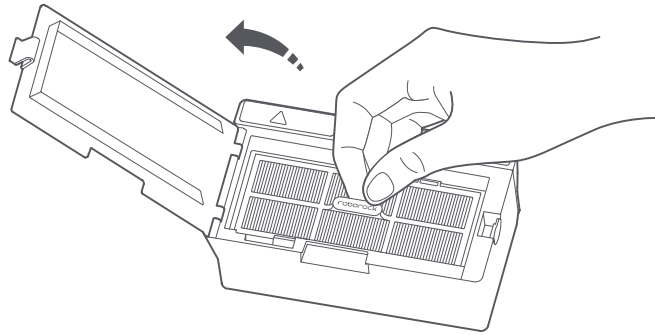
4. Deje secar al aire el contenedor de polvo y el filtro lavable.



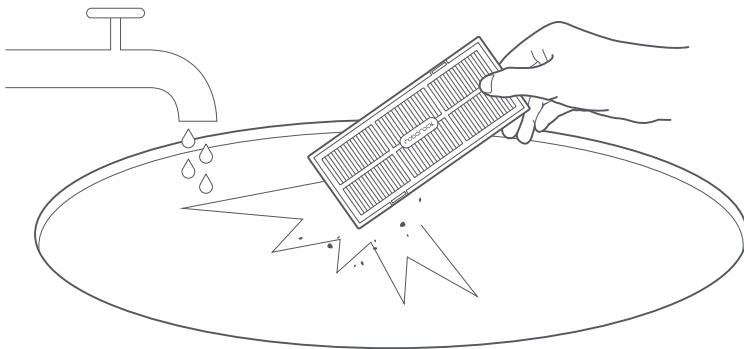
# Mantenimiento rutinario

## Filtro lavable

1. Abra la cubierta de filtro y extraiga el filtro.

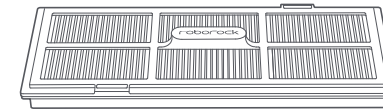


2. Enjuague varias veces y toque el marco del filtro para extraer tanta suciedad como sea posible.



**Nota:** Para evitar daños, no toque el filtro con las manos, cepillos u objetos filosos.

3. Deje que el filtro se seque bien antes de volver a colocarlo.

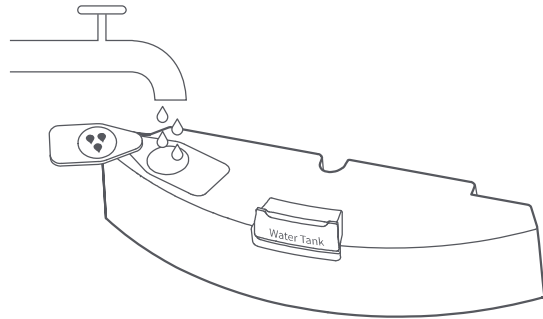


**Nota:** Use un filtro alternativo si es necesario.

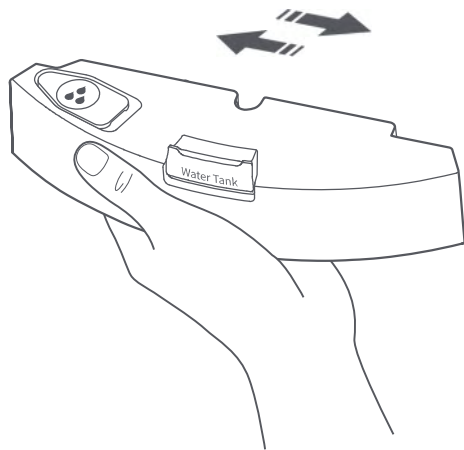
# Mantenimiento rutinario

## Tanque de agua

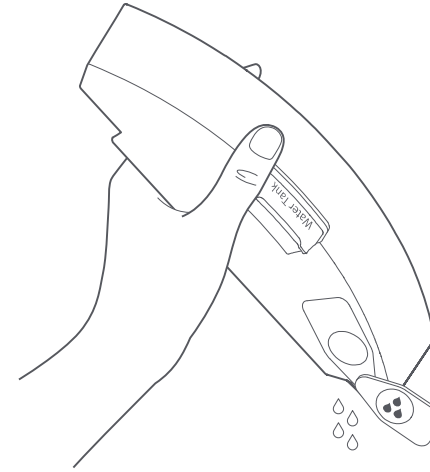
1. Abra el tanque de agua y llénelo con agua limpia.



2. Cierre el tanque de agua y agítelo suavemente.



3. Vierta el agua sucia.

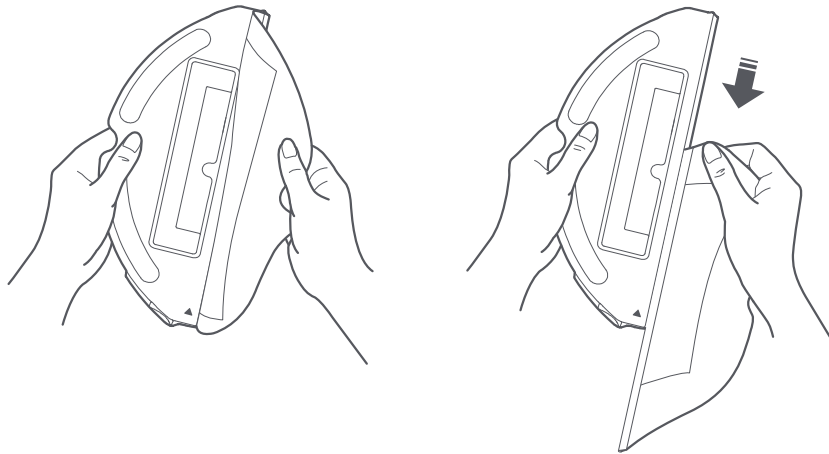




# Mantenimiento rutinario

## Fregador VibraRise

1. Retire el fregador VibraRise del montaje del fregador VibraRise.



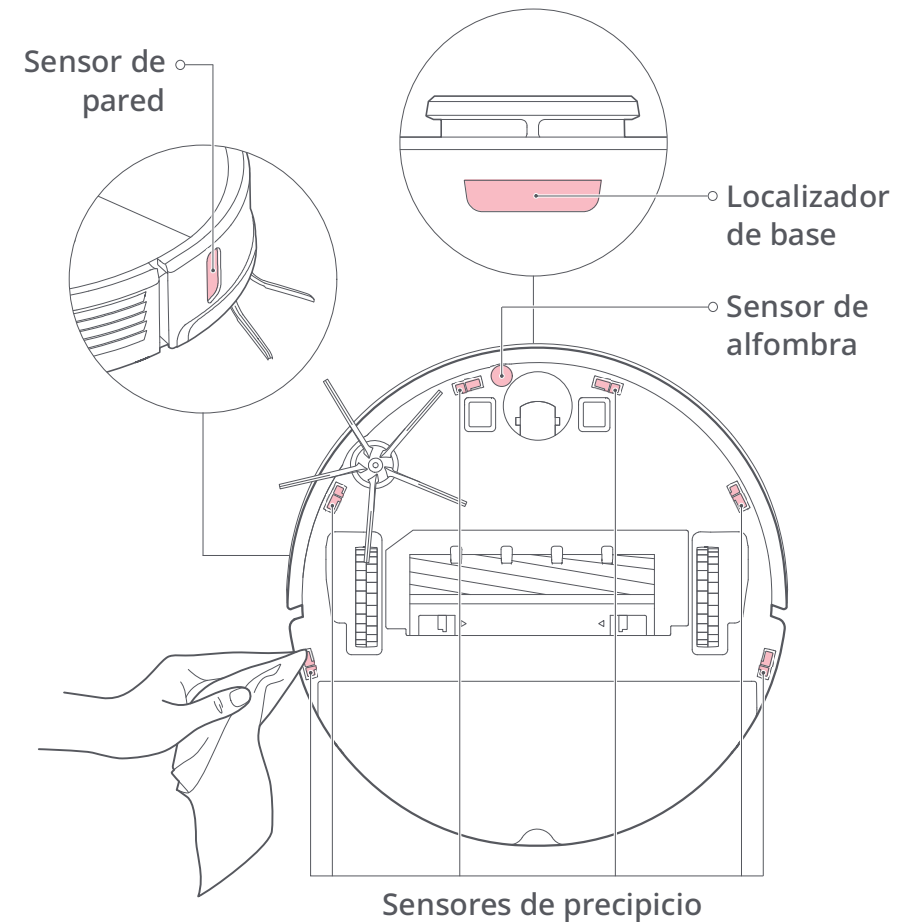
2. Limpie el fregador VibraRise y déjelo secar al aire.

**Nota:** Si el fregador VibraRise está sucio, afectará el desempeño del fregado. Comience siempre con un fregador limpio.

## Sensores del robot

Use un paño seco y suave para limpiar los sensores, incluidos:

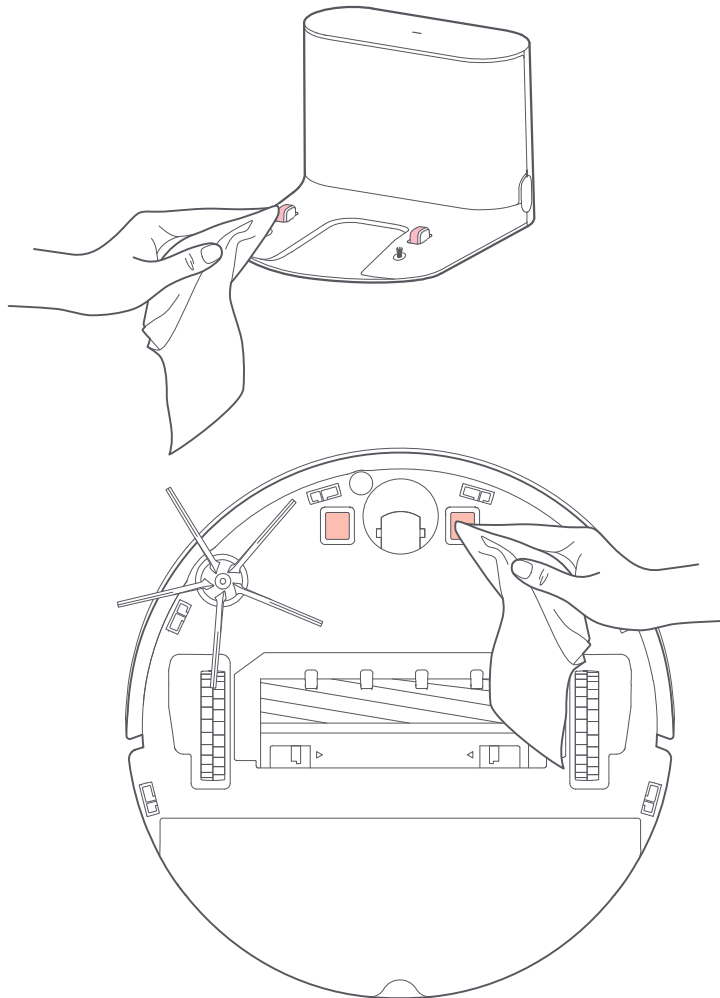
1. El localizador de base.
2. El sensor de pared.
3. El sensor de alfombra.
4. Los seis sensores de precipicio.



# Mantenimiento rutinario

## Áreas de contactos de carga

Use un paño seco y suave para limpiar los contactos de carga de la base de carga y del robot.



## Batería

El robot está equipado con una batería recargable de iones de litio de alto rendimiento. Para mantener el desempeño de la batería, mantenga el robot cargado.

**Nota:** Si el robot no se usará durante un período prolongado, apáguelo y cárguelo al menos cada tres meses para evitar daños a la batería por el exceso de descarga.

# Parámetros básicos

## Robot

Modelo	roborock S7
Dimensiones	353 × 350 × 96,5 mm
Batería	Batería de litio 14,4 V/5200 mAh
Peso	Aprox. 4,7 kg
Conexión inalámbrica	WiFi Smart Connect
Entrada nominal	20 VCC 1,2 A
Tiempo de carga	Menos de 6 horas

**Nota:** El número de serie figura en una calcomanía en el lado inferior del robot.

## Base de carga

Modelo	CDZ11RR o CDZ12RR
Dimensiones	151 × 130 × 98 mm
Potencia nominal	28 W
Entrada nominal	100-240 VCA
Salida nominal	20 VCC 1,2 A
Frecuencia nominal	50-60 Hz
Carga de batería	Batería de litio 14,4 V/5200 mAh

# Errores

Si se produce un error mientras el robot está limpiando, el indicador de encendido parpadeará en rojo rápidamente y se escuchará una alerta de voz. Consulte la siguiente tabla para resolver problemas.

1. Una vez que resuelva los siguientes errores, reubique el robot y reinicie la limpieza.
2. Después de los errores del sensor, limpie el sensor y vuelva a intentarlo.
3. Si la batería tiene una temperatura anormal, espere que regrese a la normal para usarla.

---

**Error 1:** Torreta LiDAR o láser bloqueados. Verifique en busca de obstrucciones y vuelva a intentarlo.

---

**Error 2:** Parachoques atascado. Límpielo y toque suavemente para liberarlo.

---

**Error 3:** Ruedas suspendidas. Mueva el robot y reinícielo.

---

**Error 4:** Error de sensor de precipicio. Limpie los sensores de precipicio, mueva el robot lejos de bajadas y reinícielo.

---

**Error 5:** Cepillo principal atascado. Limpie el cepillo principal y los cojinetes.

---

**Error 6:** Cepillo lateral atascado. Retire el cepillo lateral y límpielo.

---

**Error 7:** Ruedas atascadas. Mueva el robot y reinícielo.

---

**Error 8:** Robot atascado. Libere los obstáculos cerca del robot.

---

**Error 9:** Falta del contenedor de polvo. Instale el contenedor de polvo y el filtro.

---

**Error 12:** Baja batería. Recargue y vuelva a intentarlo.

---

**Error 13:** Error de carga. Limpie los contactos de carga y vuelva a intentarlo.

---

**Error 14:** Error de batería.

---

**Error 15:** Sensor de pared sucio. Limpie el sensor de pared.

---

# Errores

---

**Error 16:** Robot inclinado. Muévelo hasta un piso nivelado y reinícielo.

---

**Error 17:** Error de cepillo lateral. Restablezca el robot.

---

**Error 18:** Error de ventilador. Restablezca el robot.

---

**Error 21:** Parachoques vertical oprimido. Mueva el robot y vuelva a intentarlo.

---

**Error 22:** Error de localizador de base. Limpie y vuelva a intentarlo.

---

**Error 23:** No se pudo regresar a la base. Limpie la luz de aviso de ubicación de base y vuelva a intentarlo.

---

**Error 27:** Sistema VibraRise atascado. Verifique que no haya obstrucciones.

---

**Error 28:** Robot está en la alfombra. Mueva el robot hasta el piso y vuelva a intentarlo.

---

Filtro bloqueado o húmedo. Límpielo, séquelo y vuelva a intentarlo.

---

Se detectó zona de no ingreso o pared virtual. Mueva el robot de este lugar.

---

No es posible cruzar la alfombra. Mueva el robot al otro lado de la alfombra y reinícielo.

---

Error interno. Restablezca el robot.

---

**Nota:** Un restablecimiento del sistema puede solucionar algunos problemas.

Si el problema persiste luego de seguir las recomendaciones de la tabla anterior, envíenos un mensaje de correo electrónico a nuestro equipo de servicio postventa:

Soporte de EE. UU./no europeo: [support@roborock.com](mailto:support@roborock.com)

Soporte europeo: [support@roborock-eu.com](mailto:support@roborock-eu.com)

# Problemas comunes

Problema	Solución
No es posible encender	<ul style="list-style-type: none"><li>• El nivel de batería es bajo. Coloque el robot en la base de carga y cárguelo antes del uso.</li><li>• La temperatura de la batería es demasiado baja o demasiado alta. Utilice este robot solamente dentro del rango de 4 a 40 °C (39 a 104 °F).</li></ul>
No es posible cargar	<ul style="list-style-type: none"><li>• Verifique que la luz indicadora de encendido se encienda y que ambos extremos del cable de alimentación estén conectados correctamente.</li><li>• Si el contacto es débil, limpie el área de los contactos en la base de carga y en el robot.</li></ul>
Carga lenta	<ul style="list-style-type: none"><li>• Cuando se utiliza a temperaturas altas o bajas, el robot reducirá automáticamente su velocidad de carga para prolongar la vida útil de la batería.</li><li>• Los contactos de carga podrían estar sucios. Límpielos con un paño seco.</li></ul>
No es posible volver a la base	<ul style="list-style-type: none"><li>• Hay demasiados obstáculos cerca de la base de carga. Llévela a un espacio abierto.</li><li>• El robot está demasiado lejos de la base de carga. Colóquelo más cerca y vuelva a intentarlo.</li></ul>
Comportamiento anormal	<ul style="list-style-type: none"><li>• Reinicie el robot.</li></ul>
Ruido al limpiar	<ul style="list-style-type: none"><li>• El cepillo principal, el cepillo lateral, las ruedas principales o la rueda omnidireccional podrían estar atascados. Apague el robot y límpielos.</li><li>• Sistema VibraRise anormal. Verifique en busca de objetos atascados.</li></ul>
No es posible conectar a WiFi	<ul style="list-style-type: none"><li>• WiFi está deshabilitado. Reestablezca la conexión WiFi y vuelva a intentarlo.</li><li>• La señal de WiFi es débil. Lleve el robot a un área con buena recepción de WiFi.</li><li>• Conexión WiFi anormal. Restablezca la conexión WiFi, descargue la aplicación móvil más reciente y vuelva a intentarlo.</li><li>• El actual robot Roborock no está admitido. Puede buscar modelos compatibles en la aplicación.</li><li>• No es posible conectar a WiFi repentinamente. Es posible que haya un error con los ajustes de su enrutador. Comuníquese con el servicio de atención al cliente de Roborock para obtener más ayuda.</li></ul>

# Problemas comunes

Problema	Solución
Capacidad de limpieza deficiente, o el polvo se cae	<ul style="list-style-type: none"><li>• El contenedor de polvo está lleno, y debe vaciarlo.</li><li>• El filtro está bloqueado, y debe limpiarlo.</li><li>• El cepillo principal está bloqueado, y debe limpiarlo.</li></ul>
La limpieza programada no está funcionando	<ul style="list-style-type: none"><li>• Mantenga el robot cargado. La limpieza programada solo puede comenzar si el nivel de batería está por encima del 20 %.</li></ul>
¿Siempre se obtiene energía cuando el robot está en la base de carga?	<ul style="list-style-type: none"><li>• El robot obtendrá energía mientras esté colocado en la base para mantener el desempeño de la batería, pero el consumo energético es mínimo.</li></ul>
¿El robot debe cargarse durante al menos 16 horas las primeras tres veces que se usa?	<ul style="list-style-type: none"><li>• No. El robot se puede usar en cualquier momento una vez que está cargado por completo.</li></ul>
En el fregado no hay agua o hay muy poca	<ul style="list-style-type: none"><li>• Verifique si hay agua en el tanque de agua y use la aplicación móvil para establecer la intensidad de fregado o verifique el manual en busca de instrucciones sobre cómo instalar correctamente el fregador y el montaje del fregador.</li></ul>
La limpieza no se reanuda después de la recarga	<ul style="list-style-type: none"><li>• Asegúrese de que el robot no esté en modo DND. El modo DND impedirá la limpieza. Al limpiar un espacio que se requiere una recarga, si el robot se colocó manualmente en la base de carga antes de regresar automáticamente a la base, no podrá continuar con la limpieza.</li></ul>
El robot no puede regresar a la base de carga después de la limpieza localizada o cuando se haya movido manualmente	<ul style="list-style-type: none"><li>• Luego de la limpieza localizada o de un cambio de posición significativo, el robot regenerará el mapa. Si la base de carga está demasiado lejos, es posible que no pueda regresar para volver a cargarse y se debe colocar sobre la base de carga manualmente.</li></ul>
El robot comenzó a omitir determinados puntos	<ul style="list-style-type: none"><li>• Es posible que los sensores de precipicio o el sensor de pared estén sucios. Límpielos con un paño seco y suave.</li></ul>
El tanque de agua tarda demasiado tiempo en llenarse	<ul style="list-style-type: none"><li>• Es posible que el filtro esté bloqueado y deba limpiarlo.</li></ul>

## Robotic Vacuum Cleaner

Manufacturer: Beijing Roborock Technology Co., Ltd.

Product Model: roborock S7

Address of Manufacturer: Floor 6, Suite 6016, 6017, 6018, Building C, Kangjian Baosheng Plaza,  
No.8 Heiquan Road, Haidian District, Beijing, P.R.CHINA

For more product information, visit our website: [www.roborock.com](http://www.roborock.com)

For after-sales support, email our after-sales service team:

US/Non-Europe Support: [support@roborock.com](mailto:support@roborock.com)

Europe Support: [support@roborock-eu.com](mailto:support@roborock-eu.com)

