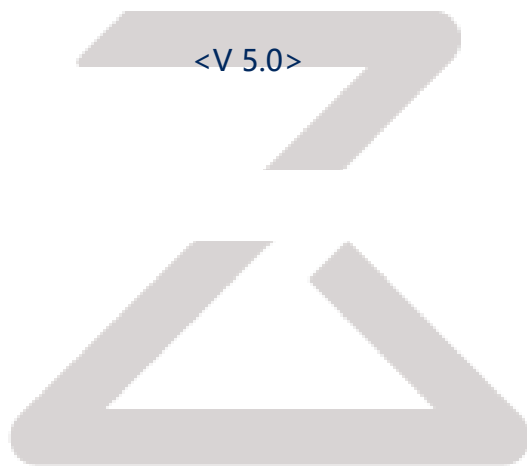


BL-M6158NS1 SPEC



roborock

Content

1. General Description	3
2. Product Model Information	3
3. WIFI Specification	3
3.1 WIFI features.....	3
3.2 WIFI RF Performance	4
3.3 Block Diagram	5
3.4 Dimension.....	5
3.5 PIN Assignment	6
3.6 Schematic.....	8
4. Antenna Specification	9
4.1 Antenna lists	9
4.2 Wireless LAN antenna matching circuit.....	9
4.3 Antenna design requirements.....	10
5. FCC and IC Warning.....	11



roborock

1. General Description

BL-M6158NS1 wireless SDIO module is designed base on SV6158. It operates at 2.4~2.4835GHz supports IEEE802.11/b/g/n 1T1R, wireless data rate can reach up to 150Mbps. The SDIO interface complies with SDIO 1.1/2.0 and SPI. It supports external antenna, which adapts different kinds of work environment. It's easy and convenient to connect wireless network.

2. Product Model Information

Model Number	BL-M6158NS1
FCC ID	2AN2O-RSW03
IC	23317-RSW03

3. WIFI Specification

3.1 WIFI features

- a) Operate at ISM frequency Band (2.4GHz);
- b) IEEE standards support, 802.11 b/g/n,;
- c) Enterprise level security supporting: WEP 64bit&128bit, WPA, WPA2, WPA2-PSK and IEEE802.11i;
- d) IEEE 802.11e QoS Enhancement(WMM);
- e) Support 1 transmission and 1 receiving, transmission rate can up to 150Mbps (Physical Rate) in downstream and upstream.

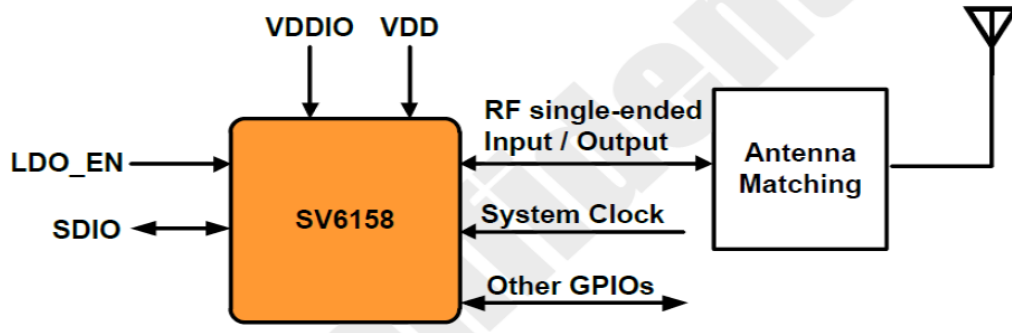
When it operating in the 2.4GHz ISM band (2.4~2.4835GHz, 11 Channels).it support wireless WLAN standards include 802.11b/g/n, communication has 11 channels, whose center frequencies are

CH1: 2412MHz, CH2: 2417MHz, CH3: 2422MHz, CH4: 2427MHz, CH5: 2432MHz, CH6: 2437MHz, CH7: 2442MHz, CH8: 2447MHz, CH9: 2452MHz, CH10: 2457MHz, CH11:2462MHz respectively.

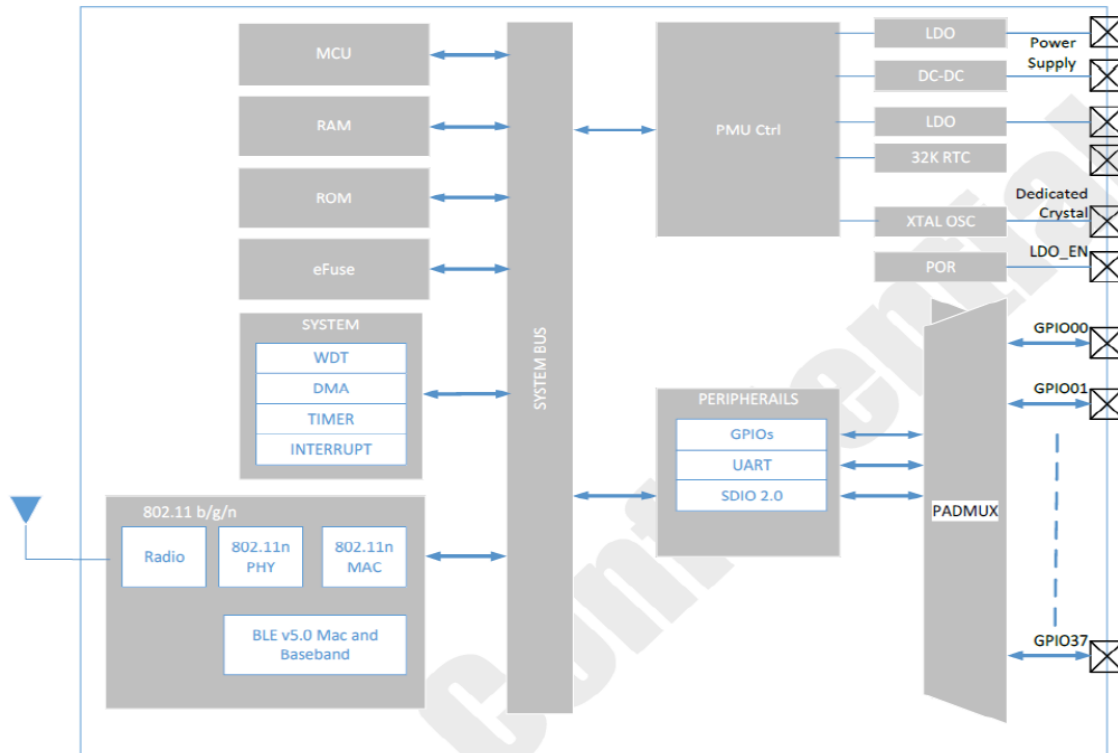
3.2 WIFI RF Performance

Feature	Description
Standard	IEEE 802.11 b/g/n
Data Rate	802.11b: 1, 2, 5.5, 11Mbps; 802.11g: 6, 9, 12, 18, 24, 36, 48, 54Mbps; 802.11n (HT20): MCS0~MCS7(1T1R_SISO) 6.5~72.2Mbps; 802.11n (HT40): MCS0~MCS7(1T1R_SISO) 13.5~150Mbps;
Modulation mode	IEEE 802.11b mode: CCK, DQPSK, DBPSK IEEE 802.11g mode: 64QAM, 16QAM, QPSK, BPSK IEEE 802.11n mode : 64QAM, 16QAM, QPSK, BPSK
Network Architecture	Ad-hoc Mode(Peer-to-Peer) Infrastructure mode Scatter Net
Frequency Range	2.4~2.4835GHz (2.4GHz ISM Band)
Transmit Output Power (Tolerance: +/- 1.5dBm)	802.11 b: 18dBm;(Peak) 802.11 g: 19dBm; (Peak) 802.11 n (2.4GHz): 19dBm(Peak): 20MHz; 19dBm(Peak): 40MHz;
Antenna Type	1x1 Diversity

3.3 Block Diagram

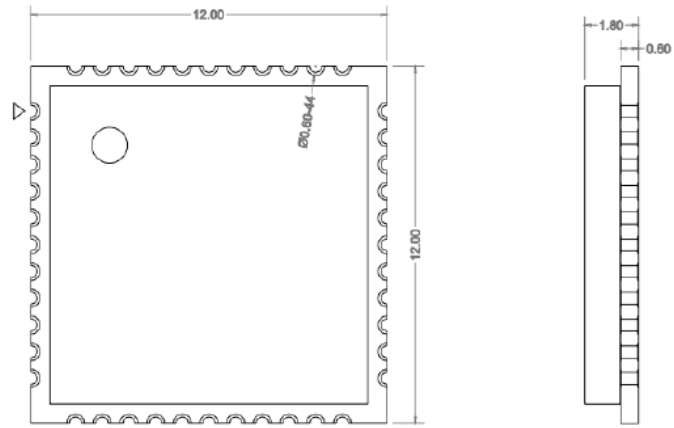


SV6158 System Block Diagram



3.4 Dimension

12.0*12.0*1.8mm (LxWxH) , Tolerance: +/-0.15mm

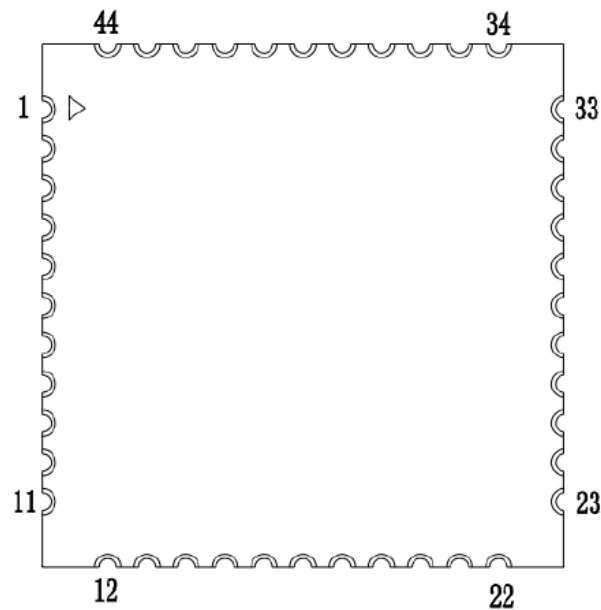


top view

side view

Module dimension: 12.0*12.0*1.80mm (L*W*H; Tolerance: ±0.15mm)

3.5 PIN Assignment



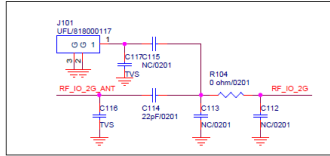
Pin #	Name	Type	Description
1	GND	P	Ground
2	RF	I/O	WLAN RF pad/2.4G
3	GND	P	Ground

4	NC	/	NC
5	GPIO12	I/O	Strapping Purpose I/O Pins
6	NC	/	NC
7	NC	/	NC
8	NC	/	NC
9	VDD	P	VDD3.3V power supply
10	NC	/	NC
11	NC	/	NC
12	LDO_EN	I	Reset signal to power down IC
13	WAKE_UP_HOST	I/O	General Purpose I/O Pins
14	SD_D2	I/O	SDIO data 2
15	SD_D3	I/O	SDIO data 3t
16	SD_CMD	I/O	SDIO command
17	SD_CLK	I	SDIO clock
18	SD_D0	I/O	SDIO data 0
19	SD_D1	I/O	SDIO data 1
20	GND	P	Ground
21	NC	/	NC
22	VDDIO	P	VDDIO3.3V power supply
23	NC	/	NC
24	NC	/	NC
25	NC	/	NC
26	NC	/	NC
27	NC	/	NC
28	NC	/	NC
29	NC	/	NC
30	NC	/	NC
31	GND	P	Ground
32	NC	/	NC
33	GND	P	Ground
34~35	NC	/	NC
36	GND	P	Ground
37	GPIO00/UART_LOG_RX	I/O	General Purpose I/O Pins
38	GPIO01/UART_LOG_TX	I/O	General Purpose I/O Pins
39~44	NC	/	NC

I: input O: output P: power

3.6 Schematic

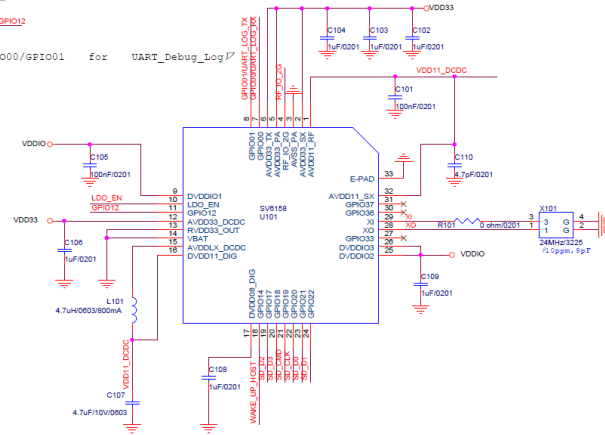
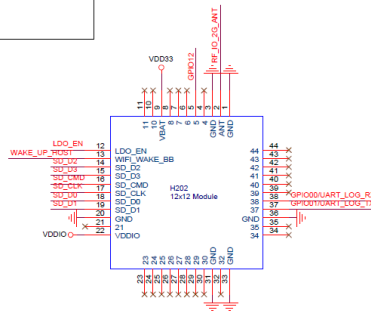
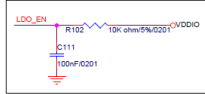
RF Matching



Boot strap	GPIO12
SDIO	0 (default)
SPIDATA	1

VDDIO - R155 NCT10K5%/0201 GPIO12
GPIO00/GPIO01 for UART_Debug_Log17

LDO_EN

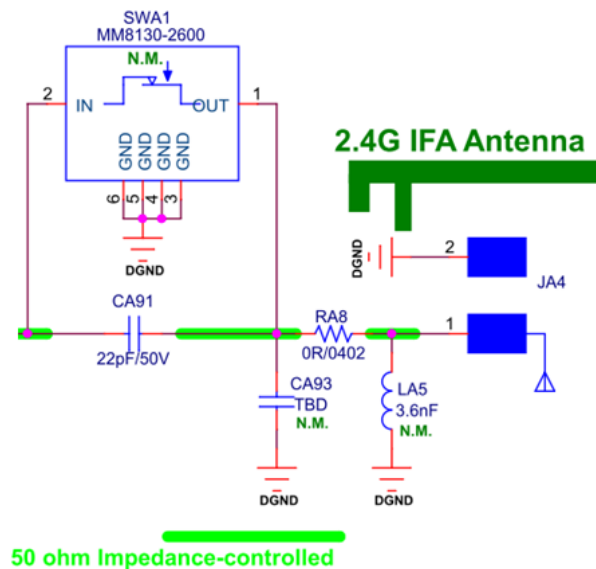


4. Antenna Specification

4.1 Antenna lists

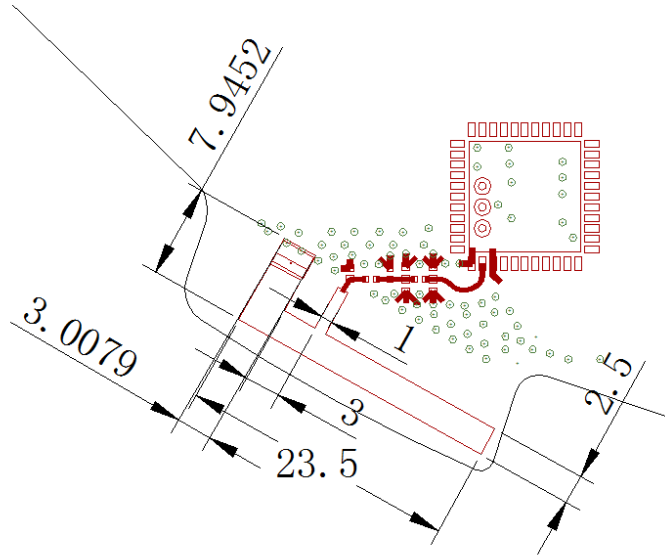
No.	Type	Band(s)	Max Peak Gain(dBi)	Host Model
1	PCB antenna	2.4GHz - 2.5GHz	3.7	S501-01, S511-01, S551-01
2	PCB antenna	2.4GHz - 2.5GHz	3.3	roborock S6
3	PCB antenna	2.4GHz - 2.5GHz	4.2	roborock S4
4	PCB antenna	2.4GHz - 2.5GHz	3.7	roborock S5 Max
5	PCB antenna	2.4GHz - 2.5GHz	3.7	S5 Max

4.2 Wireless LAN antenna matching circuit

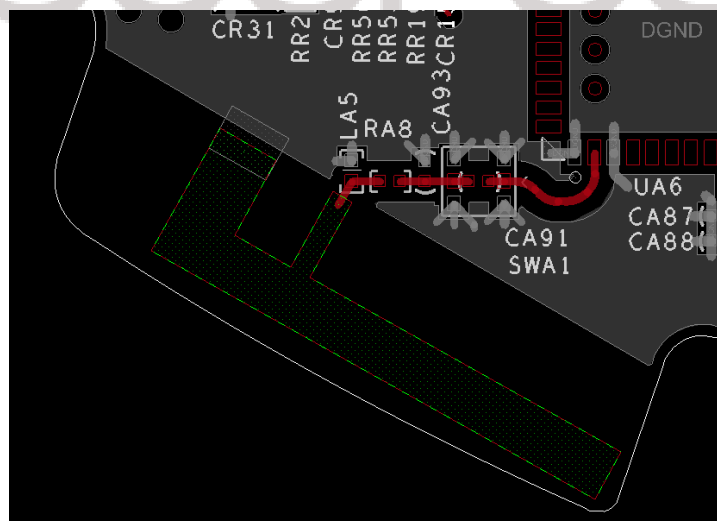


4.3 Antenna design requirements

- RF-line need 50Ω single line impedance;
- Antenna is 2.4G WiFi Frequency band MIFA type Board antenna
- Antenna length, width, shape(s) as follows, Company: mm;



- PCB thickness is 1.5mm, Copper-Layer 6, Antenna is Layer1;
- Antenna put on the edge of the pcb, Clearance around and below;



5. FCC and IC Warning

This device complies with Part 15 of the FCC Rules / Industry Canada licence-exempt RSS standard(s). Operation is subject to the following two conditions: (1) this device may not cause harmful interference, and (2) this device must accept any interference received, including interference that may cause undesired operation.

Le présent appareil est conforme aux CNR d'Industrie Canada applicables aux appareils radio exempts de licence. L'exploitation est autorisée aux deux conditions suivantes : (1) l'appareil ne doit pas produire de brouillage, et (2) l'utilisateur de l'appareil doit accepter tout brouillage radioélectrique subi, même si le brouillage est susceptible d'en compromettre le fonctionnement.

Changes or modifications not expressly approved by the party responsible for compliance could void the user's authority to operate the equipment.

This equipment has been tested and found to comply with the limits for a Class B digital device, pursuant to part 15 of the FCC Rules. These limits are designed to provide reasonable protection against harmful interference in a residential installation. This equipment generates uses and can radiate radio frequency energy and, if not installed and used in accordance with the instructions, may cause harmful interference to radio communications. However, there is no guarantee that interference will not occur in a particular installation. If this equipment does cause harmful interference to radio or television reception, which can be determined by turning the equipment off and on, the user is encouraged to try to correct the interference by one or more of the following measures:

- Reorient or relocate the receiving antenna.
- Increase the separation between the equipment and receiver.
- Connect the equipment into an outlet on a circuit different from that to which the receiver is connected.
- Consult the dealer or an experienced radio/TV technician for help.

To satisfy FCC / IC RF exposure requirements, a separation distance of 20 cm or more should be maintained between the antenna of this device and persons during device operation. To ensure compliance, operations at closer than this distance is not recommended.

Les antennes installées doivent être situées de façon à ce que la population ne puisse y être exposée à une distance de moins de 20 cm. Installer les antennes de façon à ce que le personnel ne puisse approcher à 20 cm ou moins de la position centrale de l'antenne. La FCC des états-unis stipule que cet appareil doit être en tout temps éloigné d'au moins 20 cm des personnes pendant son fonctionnement.

Limited by local law regulations, version for North America does not have region selection option.

This device is intended for OEM integrators only. Please see the full grant of equipment document for restrictions.

If the FCC ID of this module is not visible when it is installed inside another device, then the outside of the device into which the module is installed must be label with

"Contains FCC ID: 2AN20-RSW03 and IC: 23317-RSW03".

robocock