

Instructions for Use

Connecting to the App

The robot supports the Roborock or Xiaomi Home app. Choose the one that best meets your needs.

1. Download App



Option 1: Search for "Roborock" in the App Store or Google Play or scan the QR code to download and install the app.

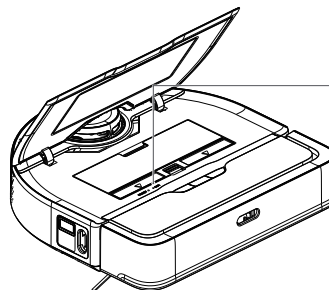


Option 2: Search for "Xiaomi Home" in the App Store or Google Play or scan the QR code to download and install the app.



2. Reset WiFi

Press and hold the  and  buttons until you hear the "Resetting WiFi" voice alert. The reset is complete when the WiFi indicator flashes slowly. The robot will then wait for a connection.



WiFi Indicator

- Off: WiFi disabled
- Flashing slowly: Waiting for connection
- Flashing quickly: Connecting
- Steady: WiFi connected

Note: If the mobile phone fails to connect to the robot because your router configuration changes or you forget your password or for any other reason, reset the WiFi and add the robot again when it is waiting for a connection.

3. Add Device

On the homepage of the app, tap "+" in the top right corner and add the device according to the in-app guide.

Note:

- The actual process may vary due to ongoing app updates. Follow the instructions provided in the app.
- Only 2.4 GHz WiFi is supported.
- If the robot waits more than 1 hour for a connection, WiFi will be automatically disabled. If you want to reconnect, reset the WiFi before proceeding.

Instructions for Use

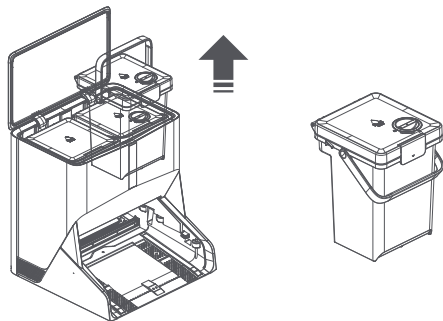
Mopping

Note:

- To prevent excessive dirt buildup on the mop, floors should be vacuumed at least three times before the first mopping session.
- The mopping feature cannot clean up large particles. Please vacuum the floor regularly to ensure satisfactory cleaning performance.
- Vacuuming or mopping cannot start if the battery level is too low. Allow the robot to charge before starting cleanup.
- Before cleaning, tidy cables (including the power cable of the dock) and valuables from the floor. Loose cables may be dragged by the robot, resulting in the disconnection of electrical appliances or damage of cables and property.
- If vacuuming or mopping is completed in less than 10 minutes, the area will be cleaned twice.
- If the battery runs low during the vacuuming or mopping cycle, the robot will automatically return to the dock. After charging, the robot will resume where it left off.


1. Preparations for Mopping

Take out the clean water tank and remove the filling port cover. Add water below the Max line. Tighten the port cover and fit the water tank back in place.



Note:

- To prevent corrosion or damage, do not use cleaning fluid or disinfectant not specified by Roborock in the water tank.
- Do not use hot water as this may cause the tank to deform.

2. Press the  button to start mopping. The robot will plan its mopping route according to its scan of the room. It splits a room into zones, first draws out zone edges, and then fills the zone in a zigzag pattern. In so doing, the robot mops all zones one by one, efficiently cleaning the house.


3. The robot automatically returns for mop washing every 10 minutes by default. You can adjust this interval in the app, or press and hold the Dock button to perform mop washing manually. The robot automatically resumes mopping upon completion of mop washing.

Note:

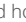
- Malfunctioning of the dock during mop washing will bring the mopping cycle to a halt.
- If the problem is solved within 10 minutes, the robot will continue with mop washing.
- If the problem persists after 10 minutes, the robot will automatically end mopping and return to the dock to charge.

4. Upon completion of mopping, the robot automatically returns for deep cleaning of the mop and self-cleaning of the dock. After the cleaning, it starts charging and air-dries the mop. (You may disable the air-dry feature in the app.)

Start Cleaning

Press the  button to start cleaning. The robot will plan its cleaning route according to its scan of the room. It splits a room into zones, first draws out zone edges, and then fills the zone in a zigzag pattern. In so doing, the robot cleans all zones one by one, efficiently cleaning the house.

On/Off

Press and hold the  button to turn on the robot. The power indicator will turn on and the robot will enter standby mode.

Press and hold the  button to turn off the robot and complete the cleaning cycle.

Note: The robot cannot be turned off when it is being charged.

Instructions for Use

Pause

When the robot is running, press any button to pause it, or press the  button to send it back to the dock.

When the robot is paused, press the  button to continue vacuuming, or press the  button to continue mopping.

Note: Placing a paused robot on the dock manually will end the current task.

Sleep

If the robot is paused for over 10 minutes, it will go to sleep, and the power indicator will flash every few seconds. Press any button to wake it up.

Note:




- The robot will not go to sleep when it is charging.
- The robot will automatically shut down if left in sleep mode for more than 12 hours.

DND Mode

The default DND period is from 22:00 to 08:00. You can use the app to disable the DND mode or modify the DND period.

When Do Not Disturb is on, the auto top-up is canceled, voice alerts are quietened, indicator lights are dimmed, and mop air drying is paused.


Child Lock

Press and hold the , , and  buttons simultaneously to enable/disable the child lock. You can also set it in the app.

Once enabled, the robot will not react to button presses when it is stationary.

When the robot is vacuuming, mopping or docking, press any button to pause it.

Charging

After cleaning, the robot will automatically return to the dock to charge. In Pause mode, press the  button to send the robot back to the dock. The power indicator will pulse as the robot charges.


Note: If the robot fails to find the dock, it will automatically return to its starting location. Place the robot on the dock manually to recharge.

Resetting the System

If the robot does not respond when a button is pressed or cannot be turned off, reset the system. Press the Reset button, and the robot will restart automatically.

Note: After resetting the system, scheduled cleaning, WiFi, etc. will be restored to factory settings.

Restoring Factory Settings

If the robot does not function properly after a system reset, switch it on, and press and hold both the  and Reset buttons until you hear the "Start restoring initial settings" voice alert. The robot will then be restored to factory settings.

App Features

Cleaning Map

Multi-map management | Real-time vacuuming/mopping route | Carpet display | Map zoning | Map editing

Custom Cleaning Modes

Scheduled cleaning | Selective room cleaning | Zone cleaning | No-go zones & virtual walls | Custom sequence

Cleaning Mode Switch

4-level adjustable suction power | 3 mopping modes | Custom modes

Robot Information

Cleaning records | Battery level | Care & maintenance

More Features

Firmware upgrade | Volume adjustment | Custom voice settings | Do Not Disturb mode | Smart voice control

Note: Features, visuals and interactions of the app may vary due to the continuous development and updates to provide a better user experience.

Routine Maintenance

To ensure optimal performance of the robot, refer to the following table for routine maintenance:

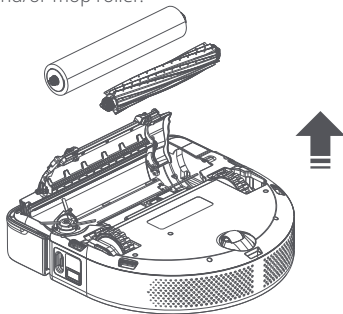
Parts	Maintenance Frequency	Replacement Frequency
Omni-Directional Wheel	Clean as needed	/
Main Brush	Clean every two weeks	Every 6-12 months
Side Brush	Clean every month	Every 3-6 months
Washable Filter	Clean every two weeks	Every 6-12 months
Mop Roller	Clean after each use	Every 3-6 months
Dock Charging Contacts, Location Beacon, and Robot Body	Clean every month	/
Charging Contact Areas	Clean every month	/
Dock Locator	Clean every month	/
Cliff Sensor	Clean every month	/
Carpet Sensor	Clean every month	/
Main Wheel	Clean every month	/
Cleaning Tank and Water Filters	Clean after each use	/
Dock Location Beacon	Wipe every two weeks	Clean with a soft, dry cloth.
Clean Water Tank and Dirty Water Tank	Clean as needed	/
Dustbin	Clean as needed	/

Note: The frequency of replacement may vary depending on the situation. If abnormal wear occurs, replace the parts immediately.

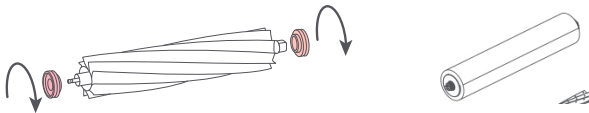
Routine Maintenance

Main Brush and Mop Roller

1. Turn over the robot, press the roller cover latches to open them, and remove the main brush and/or mop roller.



2. Pull out the main brush and mop roller bearing. Remove the main brush and mop roller caps by rotating them in the indicated unlock direction. Clean the caps and reinstall them in the indicated lock direction.



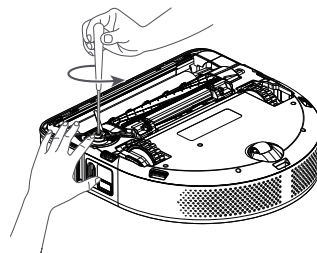
3. Remove any entangled hair or dirt in the main brush and mop roller, and then reinstall them.

Note:

- If there is a large amount of hair, or hair is tightly entangled, remove it carefully to avoid damage to the main brush. It is recommended to use scissors to cut the hair.
- It is recommended to wipe the main brush with a wet cloth. If the main brush is wet, air-dry it away from direct sunlight.
- Do not use corrosive cleaning fluid or disinfectant to clean the main brush.

Side Brush

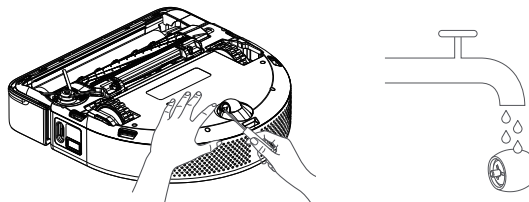
1. Unscrew the side brush screw.
2. Remove and clean the side brush. Reinstall the brush and tighten the screw.



Omni-Directional Wheel

1. Use a tool, such as small screwdriver, to pry out the axle and take out the wheel.
2. Clean and rinse the wheel and the axle with water to remove any hair and dirt.
3. Air-dry, reinstall, and press the wheel and axle back in place.

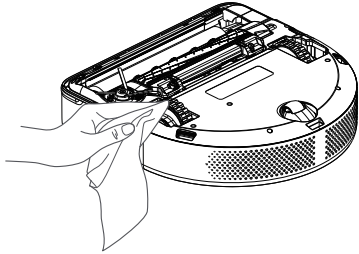
Note: The omni-directional wheel bracket cannot be removed.



Routine Maintenance

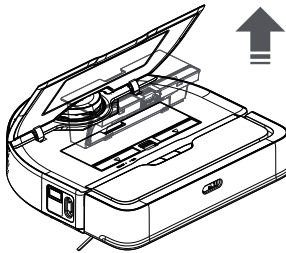
Main Wheel

Clean the main wheel with a soft, dry cloth.

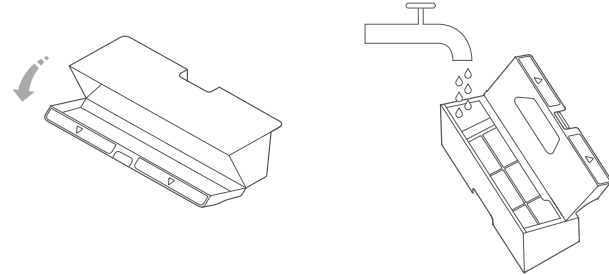


Dustbin

1. Open the top cover of the robot and take out the dustbin.

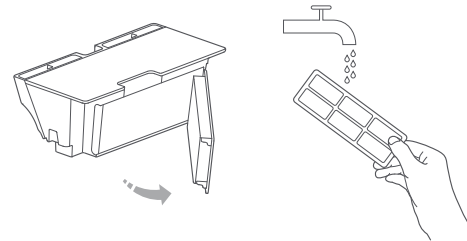


2. Open the dustbin cover and empty the dustbin.
3. Fill the dustbin with clean water and close the cover. Gently shake the dustbin, and then pour out the dirty water.
4. Allow the dustbin and filter to dry thoroughly, then re-install.



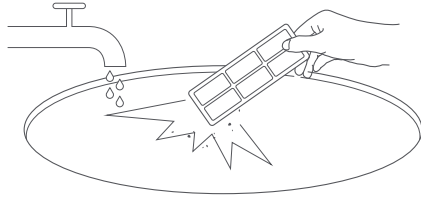
Washable Filter

1. Remove the filter as shown and rinse it with water.



Routine Maintenance

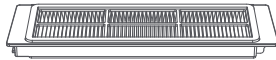
2. Rinse the filter repeatedly and tap it to remove as much dirt as possible.



3. Leave the filter to dry and reinstall it.

Note:

- Do not touch the surface of the filter with your hands, brush, or hard objects to avoid potential damage.
- Make sure that the filter is completely dry before use.
- Purchase an additional filter to alternate.

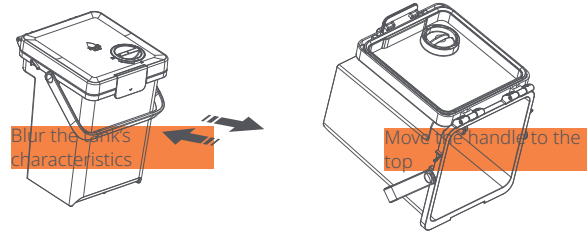


Water Tank

Open the water tank lid and pour out the dirty water. Fill the tank with clean water, close the lid, and shake. Pour out the dirty water. Close the lid and then re-install.

Note:

- To prevent corrosion or damage, do not use cleaning fluid or disinfectant not specified by Roborock in the water tank.
- Do not use hot water as this may cause the tank to deform.
- If any water stains remain on the outside of the water tank, wipe them with a soft dry cloth before reinstalling the tank.



Routine Maintenance

Cleaning Tank and Water Filters

1. Remove the primary and secondary water filters and rinse them with water.



2. Wipe and clean the cleaning tank with a wet cloth.



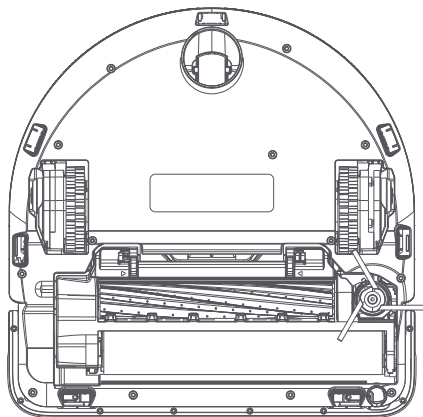
3. Fit the two filters back in place.

Routine Maintenance

Robot Sensors

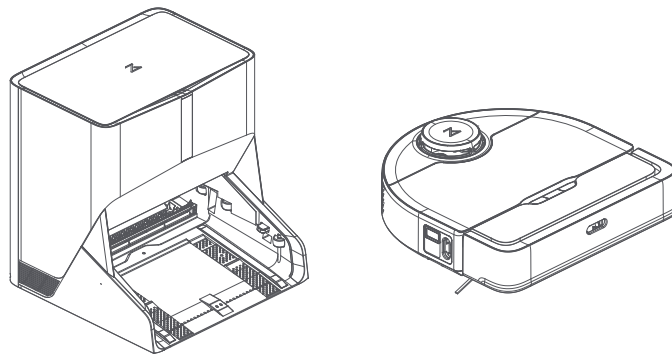
Use a soft, dry cloth to wipe all sensors, including:

1. The dock locator in the front.
2. The ultrasonic carpet sensor on the bottom.
3. The seven cliff sensors on the bottom.
4. The wall sensor on the right.



Charging Contact Areas

Use a soft, dry cloth to wipe the charging contacts on the robot and on the dock.



Battery

The robot is equipped with a built-in high-performance lithium-ion rechargeable battery pack. To maintain battery performance, keep the robot charged during normal use.

Note: If the robot will be left unused for a long period, turn it off and charge it at least every three months to avoid battery damage caused by over-discharge.

Basic Parameters

Robot	
Model	X170RR
Battery	14.4V/4900mAh lithium battery
Weight	Approx. 4.8kg
Wireless Connection	WiFi Smart Connect
Rated Input	20V~1.8A
Charging Time	<6h
Robot Cleaning Dock	
Model	CDZ18RR or CDZ19RR
Rated Power	42 W
Rated Input	100-240V
Rated Output	20V~1.8A
Rated Frequency	50-60Hz

Note: The serial number is on a sticker on the underside of the robot.

Environment Protection Information

Removing the Battery

* The following information applies only when disposing of the robot and should not be followed for day-to-day operations.

The chemical substances contained in the built-in lithium-ion battery of this product can cause environmental pollution. Remove the battery before disposing of this product and hand it to a professional battery recycling facility for centralized disposal.

1. Operate the robot without connecting to the dock until it runs out of battery.
2. Turn off the robot.
3. Unscrew the battery cover.
4. Remove the battery cover.
5. Press the latch to pull out the battery connector and remove the battery.

Note:

- Before removing the battery, make sure it is fully drained. Do not attempt to remove the battery if the robot is connected to the dock.
- Remove the entire battery pack. Avoid damaging the battery pack casing to avoid short-circuits or leakage of hazardous substances.
- In the event of accidental contact with battery fluid, rinse thoroughly with water and seek immediate medical care.

Troubleshooting

Malfunction with the Robot

The power indicator of the robot will flash red and a voice alert will sound. Follow the voice prompts and instructions in the app for troubleshooting.

Note:

- The robot will go to sleep automatically if left in a malfunctioning state for over 10 minutes.
- Placing a malfunctioning robot on the dock manually will end the current task.

Malfunction with the Dock

The indicator of the dock will be steady red and a voice alert will sound. Follow the voice prompts and instructions in the app for troubleshooting.

Note:

- The robot will automatically end mopping and return to the dock to charge if the dock is left in a malfunctioning state for over 10 minutes.
- The robot will automatically start mop washing once the malfunction is manually fixed.

FAQs

Problem	Solution
Unable to power on	The battery level is low. Put the robot on the dock and charge it before use. The battery temperature is too low or too high. Only use the robot within the range of 0-40°C (32-104°F).
Unable to charge	If the dock is not receiving power, check that both ends of the power cable are properly connected. If the contact is poor, clean the charging contacts of the dock and the robot. Confirm that the dock indicator is on.
Slow charging speed	To maintain the battery life, the robot automatically reduces the charging speed when it is charged in an environment at a high or low temperature. The charging contacts may be dirty. Clean them with a dry cloth.
Unable to return to dock	There are too many obstacles near the dock. Move it to an open area. The robot is too far from the dock. Place it closer and retry.
Abnormal behavior	Restart the robot.
Noise during cleaning	The main brush, side brush, mop roller, or main wheel may be jammed. Turn off the robot and clean them. The omni-directional wheel is jammed. Use a screwdriver to remove it for cleaning.

Poor cleaning performance and/or leaking dust	The dustbin is full and needs emptying. The filter is blocked and needs cleaning. The main brush is tangled up. Clean the main brush.
The robot cannot return to the dock after spot cleaning or when it has been moved manually.	After spot cleaning or a significant position change, the robot will re-generate the map. If the dock is too far away, the robot may not be able to return for recharging and must be placed on the dock manually.
Unable to connect to WiFi	WiFi is disabled. Reset the WiFi and try again. WiFi signal is poor. Move the robot to an area with good WiFi reception. Abnormal WiFi connection. Reset the WiFi, download the latest mobile app and retry. The current device is not supported. You can find supported models in the app. Unable to connect to WiFi. There may be an error with your router settings. Contact Roborock customer service for help with troubleshooting.
Scheduled cleaning is not working	Low battery. Scheduled cleaning can only begin when the battery level is above 20%.

FAQs

<p>Is power always being drawn when the robot is on the dock?</p>	<p>The robot will draw power while it is docked to maintain battery performance, but the power consumption is extremely low.</p>
<p>Does the robot need to be charged for at least 16 hours for the first three uses?</p>	<p>No. The lithium battery has no memory effect. The robot can be used any time after it has been fully charged once.</p>
<p>Cleaning does not resume after recharging</p>	<p>Make sure that the robot is not in DND mode. DND mode will prevent auto top-up. If the robot is placed manually on the dock before it is recharged automatically, it will not be able to continue cleanup.</p>
<p>The robot begins to miss certain spots</p>	<p>The wall sensor, cliff sensor, or carpet sensor may be dirty. Clean them with a soft, dry cloth.</p>

Roborock X7 WashVac

Robotic Vacuum Cleaner

Manufacturer: Beijing Roborock Technology Co., Ltd.

Product Model: X170RR

Address of Manufacturer: Floor 6, Suite 6016, 6017, 6018, Building C, Kangjian Baosheng Plaza,
No.8 Heiquan Road, Haidian District, Beijing, P.R.CHINA

For more product information, visit our website: www.roborock.com

For after-sales support, email our after-sales service team:

US/Non-Europe Support: support@roborock.com

Europe Support: support@roborock-eu.com