



# **Roborock X7 WashVac**

## **Robotic Vacuum Cleaner User Manual**

Read this user manual carefully before using this product and store it properly for future reference.

# Safety Information

## IMPORTANT SAFETY INSTRUCTIONS

When using an electrical appliance, basic precautions should always be followed, including the following: READ ALL INSTRUCTIONS BEFORE USING (THIS APPLIANCE). Failure to follow the warnings and instructions may result in electric shock, fire and/or serious injury.

### WARNING

To reduce the risk of fire, electric shock, or injury:

- Do not use outdoors or on wet surfaces.
- Do not allow to be used as a toy. Close attention is necessary when used by or near children, pets or plants.
- Use only as described in this manual. Use only manufacturer's recommended attachments.
- Do not use with damaged cord or plug. If appliance is not working as it should, has been dropped, damaged, left outdoors, or dropped into water, return it to a service center.
- Do not pull or carry by cord, use cord as a handle, close a door on cord, or pull cord around sharp edges or corners.
- Do not run appliance over cord. Keep cord away from heated surfaces.
- Do not unplug by pulling on cord. To unplug, grasp the plug, not the cord.
- Do not handle charger, including charger plug, and charger terminals with wet hands.
- Do not put any object into openings. Do not use with any opening blocked; keep free of dust, lint, hair, and anything that may reduce air flow.
- Keep hair, loose clothing, fingers, and all parts of body away from openings and moving parts.
- Do not use to pick up flammable or combustible liquids, such as gasoline, or use in areas where they may be present.
- Do not pick up anything that is burning or smoking, such as cigarettes, matches, or hot ashes.
- Do not use without dust bag.
- Prevent unintentional starting. Ensure the switch is in the off-position before connecting to battery pack, picking up or carrying the appliance. Carrying the appliance with your finger on the switch or energizing appliance that have the switch on invites accidents.
- For use only with roborock CDZ18RR or CDZ19RR charger. Recharge only with the charger specified by the manufacturer. A charger that is suitable for one type of battery pack may create a risk of fire when used with another battery pack.

# Safety Information

- Use appliances only with specifically designated battery packs. Use of any other battery packs may create a risk of injury and fire.
- Turn off the appliance before making any adjustments, changing accessories, or storing appliance. Such preventive safety measures reduce the risk of starting the appliance accidentally.
- When battery pack is not in use, keep it away from other metal objects, like paper clips, coins, keys, nails, screws or other small metal objects, that can make a connection from one terminal to another. Shorting the battery terminals together may cause burns or a fire.
- Under abusive conditions, liquid may be ejected from the battery; avoid contact. If contact accidentally occurs, flush with water. If liquid contacts eyes, additionally seek medical help. Liquid ejected from the battery may cause irritation or burns.
- Do not use a battery pack or appliance that is damaged or modified. Damaged or modified batteries may exhibit unpredictable behavior resulting in fire, explosion or risk of injury.
- Do not expose a battery pack or appliance to fire or excessive temperature. Exposure to fire or temperature above 130°C (266°F) may cause explosion.
- Follow all charging instructions and do not charge the battery pack or appliance outside of the temperature range specified in the instructions. Charging improperly or at temperatures outside of the specified range may damage the battery and increase the risk of fire.
- Have servicing performed by a qualified repair person using only identical replacement parts. This will ensure that the safety of the product is maintained.
- Do not modify or attempt to repair the appliance or the battery pack except as indicated in the instructions for use and care.
- Place the cords from other appliances out of the area to be cleaned.
- Do not operate the vacuum in a room where an infant or child is sleeping.
- Do not operate the vacuum in an area where there are lit candles or fragile objects on the floor to be cleaned.
- Do not operate the vacuum in a room that has lit candles on furniture that the vacuum may accidentally hit or bump into.
- Do not allow children to sit on the vacuum.
- Risk of Injury. Brush May Start Unexpectedly. Disconnect the main Brush Before Cleaning or Servicing.
- Do not use the product when the temperature is higher than 40°C (104°F) or lower than 4°C (39°F), or there is any liquid or sticky substance on the floor.

## Safety Information

# SAVE THESE INSTRUCTIONS

Household use only.

## Laser Safety

Class 1 laser product, Complies with FDA 21 CFR 1040.10 and 1040.11 except for conformance with IEC 60825-1 Ed. 3., as described in Laser Notice 56, dated May 8, 2019.

# FCC IC Statement

Compliance Information	
Product Name	Robotic Vacuum Cleaner with Dock Charger
Product Model	Robotic Vacuum Cleaner Model: X170RR Dock Charger Model: CDZ18RR or CDZ19RR
Compliance Statement	This device complies with part 15 of the FCC Rules. This device contains licence-exempt transmitter(s)/receiver(s) that comply with Innovation, Science and Economic Development Canada's licence-exempt RSS(s). Operation is subject to the following two conditions: (1) This device may not cause harmful interference, and (2) this device must accept any interference received, including interference that may cause undesired operation.
Correspondence of the responsible party in USA	
Company	Roborock Technology Co.
Address	108 West 13th Street, Wilmington, Delaware 19801.
Email	support@roborock.com

## Warning

Any changes or modifications to this unit not expressly approved by the party responsible for compliance could void the user's authority to operate the equipment.  
Le présent appareil est conforme aux CNR d'Industrie Canada applicables aux appareils radio exempts de licence.

# FCC IC Statement

L'exploitation est autorisée aux deux conditions suivantes :

(1) l'appareil ne doit pas produire de brouillage, et

(2) l'utilisateur de l'appareil doit accepter tout brouillage radioélectrique subi, même si le brouillage est susceptible d'en compromettre le fonctionnement.

This equipment has been tested and found to comply with the limits for a Class B digital device, pursuant to part 15 of the FCC Rules. These limits are designed to provide reasonable protection against harmful interference in a residential installation. This equipment generates uses and can radiate radio frequency energy and, if not installed and used in accordance with the instructions, may cause harmful interference to radio communications. However, there is no guarantee that interference will not occur in a particular installation. If this equipment does cause harmful interference to radio or television reception, which can be determined by turning the equipment off and on, the user is encouraged to try to correct the interference by one or more of the following measures:

—Reorient or relocate the receiving antenna.

—Increase the separation between the equipment and receiver.

—Connect the equipment into an outlet on a circuit different from that to which the receiver is connected.

—Consult the dealer or an experienced radio/TV technician for help.

# MPE Requirements

To satisfy FCC / IC RF exposure requirements, a separation distance of 20 cm or more should be maintained between the antenna of this device and persons during device operation. To ensure compliance, operations at closer than this distance is not recommended.

L'antenne installée doit être située de façon à ce que la population ne puisse être exposée à une distance de moins de 20 cm. Installer l'antenne de façon à ce que le personnel ne puisse approcher à 20 cm ou moins de la position centrale de l'antenne. La FCC des États-Unis stipule que cet appareil doit être en tout temps éloigné d'au moins 20 cm des personnes pendant son fonctionnement.

CAN ICES-3 (B)/NMB-3(B)

# Battery and Charging

- Keep the charging dock away from heat (such as radiators).
- Do not wipe the charging contacts with wet cloth or wet hands.
- Turn the robot off and use original packaging for shipment.
- If placing the robot into storage, charge it fully and turn it off before placing it in a cool dry place. Recharge it at least every three months to prevent the battery over discharging.
- Do not use the product when the temperature is higher than 40°C (104°F) or lower than 4°C (39°F), or there is any liquid or sticky substance on the floor.

Battery pack charging temperature		4°C - 40°C (39°F - 104°F)	@Max Charging Current: 0.5C
Battery pack using temperature		4°C - 40°C (39°F - 104°F)	@Max Discharge Current: 0.5C
Battery pack storage temperature	Storage (1month)	-20°C - 60°C (-4°F - 140°F) @Less than 70% RH	When stored at 25°C (77°F) the robot should be recharged every three months.
	Long Storage (3months)	-20°C - 45°C (-4°F - 113°F) @Less than 70% RH	
	Long Storage (1year)	-20°C - 20°C (-4°F - 68°F) @Less than 70% RH	

# Holiday Energy Saving Function

When the robot is docked, press and hold "Dock" for 10 seconds or until you hear an alert sound. This will activate Holiday mode.

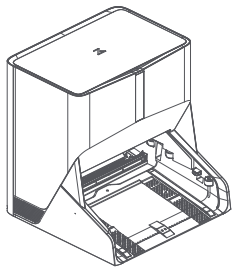
In this mode the robot will switch to Low Power mode to minimize power consumption. This includes a dimming of the LED indicator, and the stopping of all non-charging related functions including cleaning, remote control over WiFi, and more.

To deactivate Holiday mode, press and hold "Dock" for 10 seconds until the LED indicator brightens.

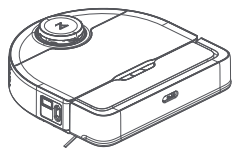


# Product Overview

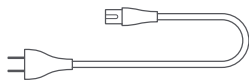
## Package Contents



Robot Cleaning Dock

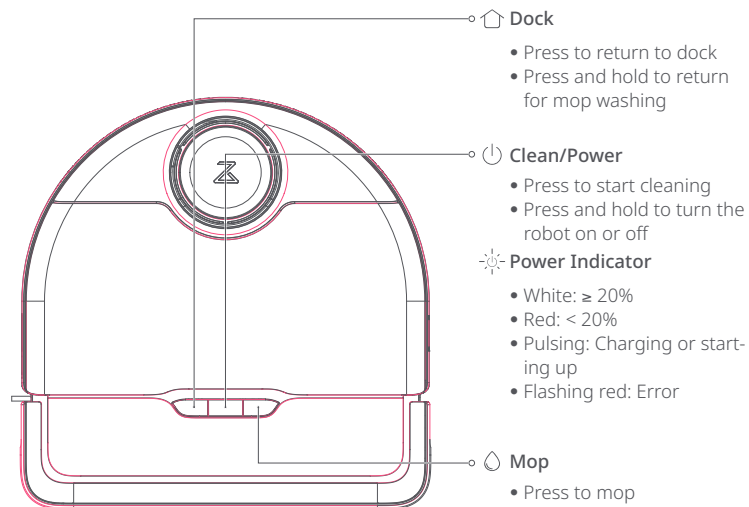


Robot






Power Cable

## Robot



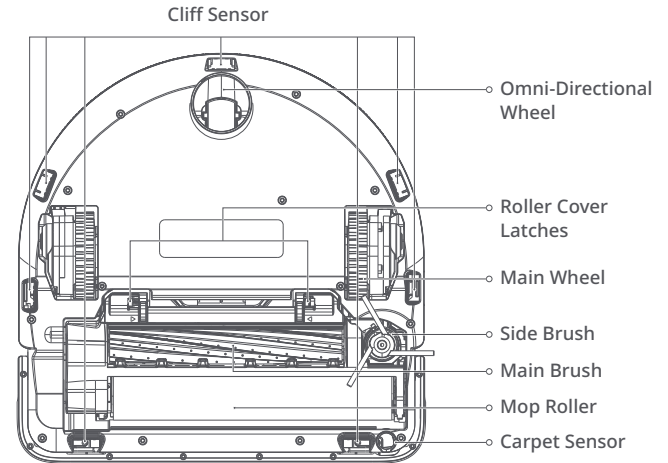
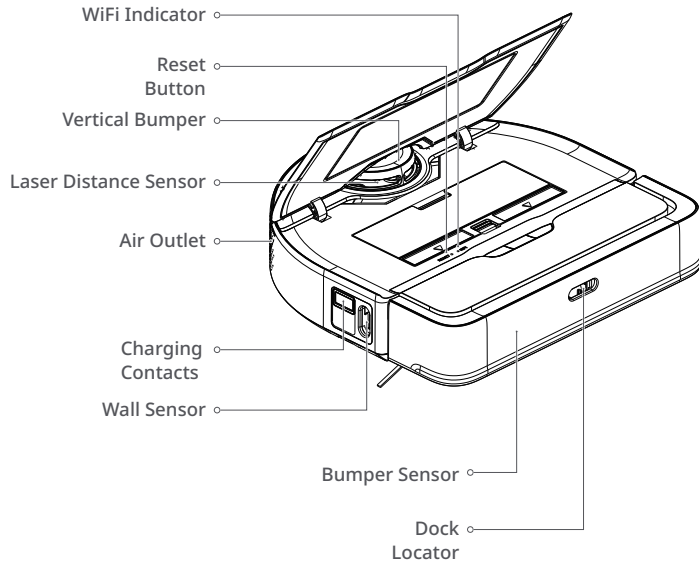
### Child Lock

- Press and hold , , and  simultaneously for 3 seconds to turn on/off the child lock

**Note:** Press any button to stop the robot during cleaning or docking.

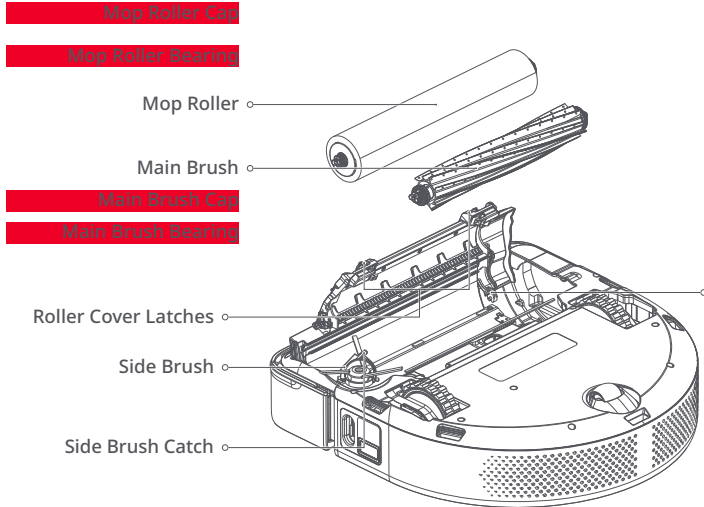
# Product Overview

## Robot

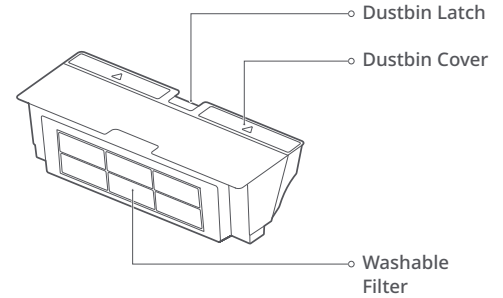


# Product Overview

## Vacuum/Mop Rollers

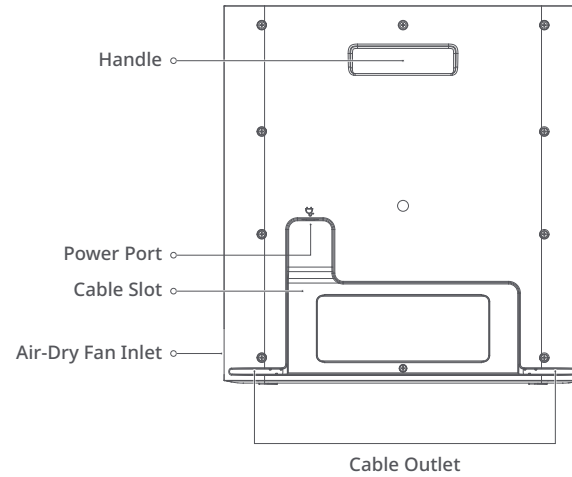
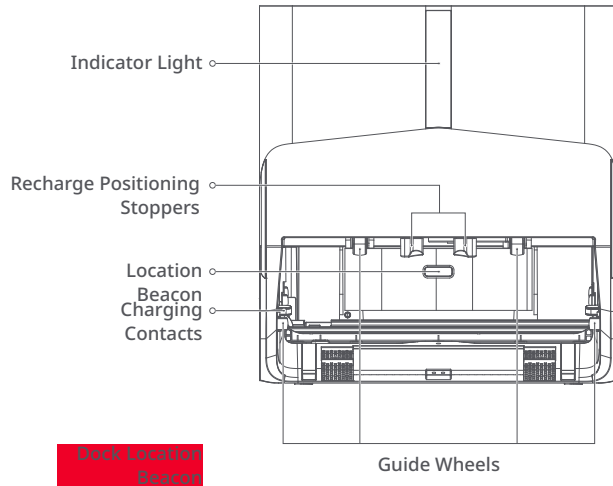


## Dustbin



# Product Overview

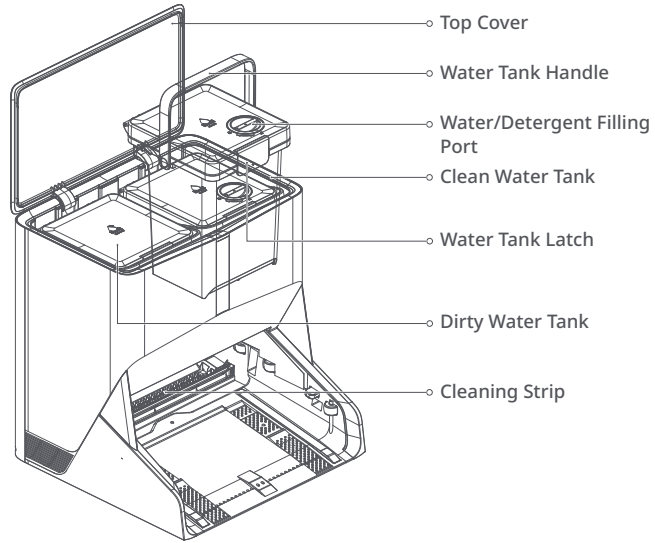
## Robot Cleaning Dock



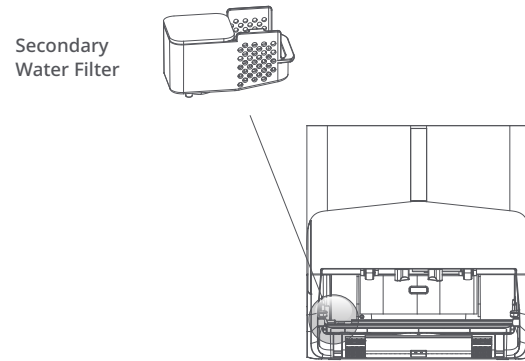
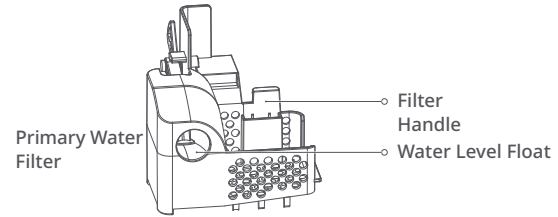
Note: Power cable can be pulled out at both sides.

# Product Overview

## Robot Cleaning Dock



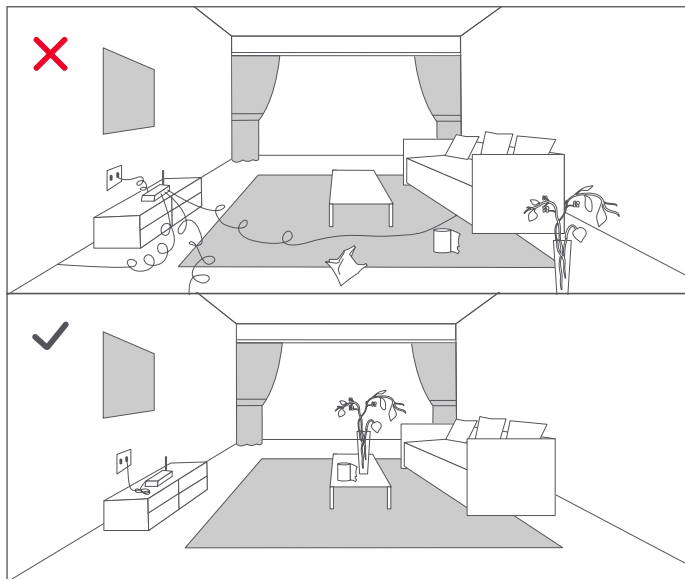
## Water Filters



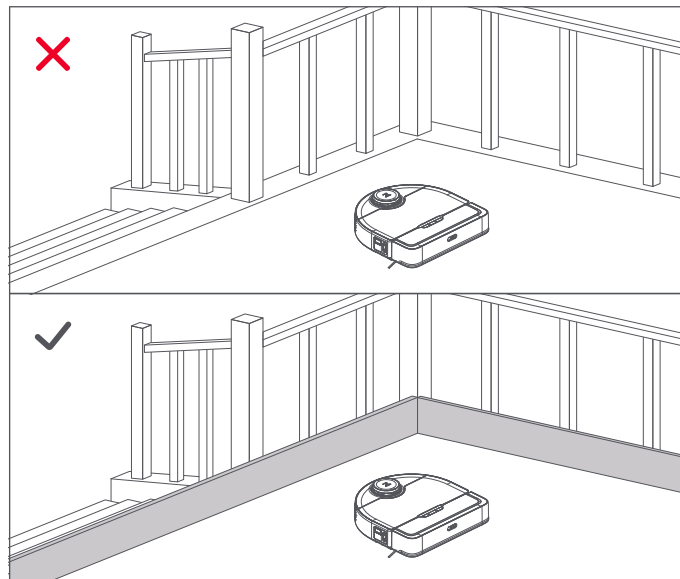
# Installation

## Important Information

1. Tidy cables and loose items from the ground and move any unstable, fragile, precious, or dangerous items to prevent personal injury or property damage due to items becoming tangled in, struck by, or knocked over by the robot.



2. When using the robot in a raised area, always use a secure physical barrier to prevent accidental falls that may result in personal injury or property damage.



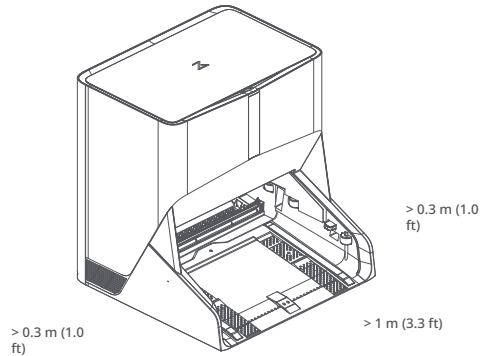
### Note:

- When using the robot for the first time, follow it throughout its whole cleaning route and watch for potential problems. The robot will be able to clean by itself in future uses.
- For areas that do not require cleaning or may trap the robot, set a no-go zone in the app to avoid it.
- Do not use the robot to vacuum hard or sharp objects (decoration wastes, glass, nails, etc.) to avoid scratching the robot or the floor.

# Installation

## Positioning the Robot Cleaning Dock


Keep the dock on a hard level surface, flat against a wall. Connect the power cable to the dock and place any exposed cable into the cable slot. To ensure a better user experience of the mobile app, place the dock in an area with good WiFi coverage.

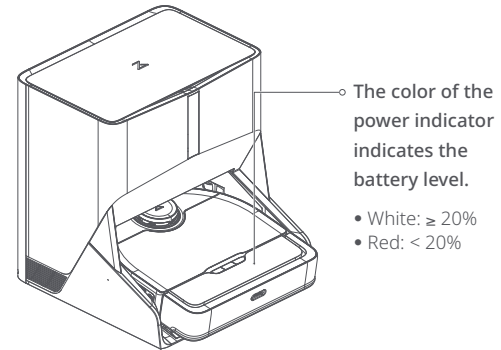


### Note:

- Allow more than 0.3 m (1 ft) of clearance on each side, and 1.0 m (3.3 ft) in front of the dock.
- If the power cable hangs vertical to the ground, it may be caught by the robot, causing the dock to be moved or disconnected.
- The dock indicator is on when the dock is powered on, and off when the robot is charging.
- Keep the dock away from direct sunlight or anything that may block the dock location beacon; otherwise, the robot may fail to return to the dock.
- All docks are subject to water-based tests before leaving the factory. It is normal that a small amount of water remains in the waterway of the dock.

## Powering On & Charging

Press and hold the  button to power on the robot. Wait until the power light is steady, and then place the robot on the dock to charge. The robot is equipped with a built-in high-performance lithium-ion rechargeable battery pack. To maintain battery performance, keep the robot charged during normal use.



**Note:** The robot may not be turned on when the battery is low. In this case, connect the robot to the dock.