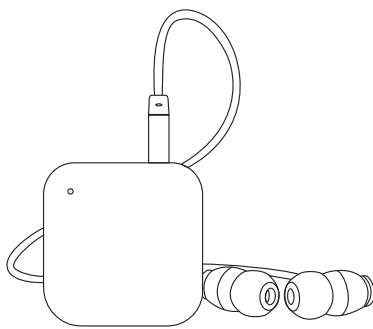
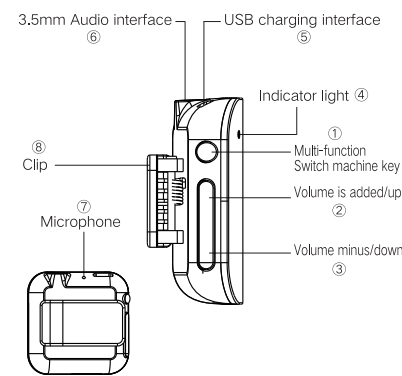


Bluetooth Headset user's Guide



Getting Started Guide

Headset overview



• Make sure your Bluetooth headset is equipped with the following items: USB charging cable, Bluetooth headset, earmuffs and instruction manual

Bluetooth version V4.1	Standby time 300-320 hours	Transmission distance:10M	Charging voltage:DC 5V
Talk time: about 8-9 hours	Battery capacity: 150mAh	Charging time: about 2 hours	

Start the Bluetooth headset

- Boot: long press MFB key ① about 5 seconds, until the indicator light blue flash
- Shutdown: long press MFB key ① about 5 seconds, until the red light flashes three times off
- Answer / hang up the phone Pause: Click MFB button ① to answer the call Or hang up the call / pause
- To reject a call: Double-click the MFB key
- Voice switch: standby press the MFB key ① 2 seconds to switch language
- Redial: Double-click MFB key ①
- Listen song: click MFB key ①
- When charging: long red light ④
- When full: long bright blue light ④

• Remember: keep driving, avoid distractions! Any high-tech products can not replace the subjective consciousness.

Headset pairing

Bluetooth adapter with 3.5MM audio jack design, can for more audio equipment, but also to deal with the market of the various audio interfaces, the user only needs one audio line, both easy to make wired audio equipment into wireless Bluetooth audio equipment.



1. Hold down the MFB key for 5 seconds, at this time the indicator light red and blue flash, headset into 60 seconds pairing state.
2. Turn on the phone on the Bluetooth, search for the corresponding model of the blue tooth headphones, click on the headset automatically complete paired connection.

▶ The long press MFB key is shut down for 5 seconds; Use later, do not need to enter again the paired state, the headset only needs to turn on the flash blue light to automatically connect to the match mobile phone (bluetooth has been opened and the phone's search name has not been removed).

Disconnect the headset from the phone:

To disconnect the headset from the phone (For example, connect your phone to another Bluetooth device), use one of the following:

- ★ Turn off headphones:
- ★ Use the phone's Bluetooth function to disconnect the headset from the phone
- ★ Move the headset to a distance of 10M (about 30 feet) away from the phone

Connect two phones

A drag two functions, the first pair of connected to the first mobile phone, and then turn off the headset new entry match, with second mobile phone connection pairing finished in the first one phone Bluetooth settings inside the click on the headset, the headset will also connect two mobile phone.

Headset charging

Headset built-in rechargeable battery. Before using the headset for the first time, we recommend first The headset is fully charged. When charging, the indicator light is red, the battery is full of red The color indicator will be converted to a blue long state.

⚠ Note: Please use the original charge with the charge, the charging voltage can not be higher than 5V!

Headphones to wear

- According to the specific location of wearing headphones, the corresponding slightly adjustable ear sets.

Troubleshoot

- Heard the sound of [Kaka] Because the Bluetooth agreement is open from the open location, accessible circumstances can reach to 10M, in which the human body is also the largest in terms of Bluetooth headset dry we recommend that you put your headphones on the same side of your phone to achieve the best results.
- Does the machine have no sound?
 1. Make sure the headset is activated and fully charged.
- Phone and headset is not connected?
 1. Make sure the headset is matched to the phone.
 2. Make sure your phone's Bluetooth device is enabled.
 3. Make sure the headset is within 10 meters of the phone and not any obstructions, such as walls or other electronic equipment.

If the above steps do not resolve the issue, try the following:

- A. re-charge the headset.
- B. restart the phone.
- C. start the phone Bluetooth and delete the previous pairing history!
- D. the Bluetooth headset to re-match with the phone!

Precautions:

- (1) Do not place this headset in the position of the airbag inside the vehicle when the airbag pops up, it may cause serious injury.
- (2) Do not let children play the headphones, small parts may make children have the risk of suffocation.
- (3) Hospitals, blasting sites or places where potentially explosive atmospheres may be ask the user to turn off the electronic equipment and radio, when you enter a specific area please pay attention to the instructions.
- (4) Before boarding, please turn off the headset, to the aircraft can not use the headset.
- (5) To better protect your hearing, do not adjust the volume too loud.
- (6) Do not attempt to make any modifications or disassembly of this headset.
- (7) Do not use this product in wet or rain.
- (8) Do not clean the headphones while in the charging state, should first headphones and the charger separately, and then clean up.

Product quality warranty card:

This product will one year (from the date of purchase) warranty

Product Model	
Origin of Product	
User Phone	
Sale Location	
Sales Date	
Vendor Name	
Vendor Contact Phone	
Maintenance Records	

*Please provide this warranty card when accepting the service, please keep it safe!

FCC Statement

This equipment has been tested and found to comply with the limits for a Class B digital device, pursuant to part 15 of the FCC rules. These limits are designed to provide reasonable protection against harmful interference in a residential installation. This equipment generates, uses and can radiate radio frequency energy and, if not installed and used in accordance with the instructions, may cause harmful interference to radio communications. However, there is no guarantee that interference will not occur in a particular installation. If this equipment does cause harmful interference to radio or television reception, which can be determined by turning the equipment off and on, the user is encouraged to try to correct the interference by one or more of the following measures:

- Reorient or relocate the receiving antenna.
- Increase the separation between the equipment and receiver.
- Connect the equipment into an outlet on a circuit different from that to which the receiver is connected.
- Consult the dealer or an experienced radio/TV technician for help.

To assure continued compliance, any changes or modifications not expressly approved by the party.

Responsible for compliance could void the user's authority to operate this equipment. (Example- use only shielded interface cables when connecting to computer or peripheral devices).

This equipment complies with Part 15 of the FCC Rules. Operation is subject to the following two conditions:

- (1) This device may not cause harmful interference, and
- (2) This device must accept any interference received, including interference that may cause undesired operation.

RF warning statement:

The device has been evaluated to meet general RF exposure requirement. The device can be used in portable exposure condition without restriction.