

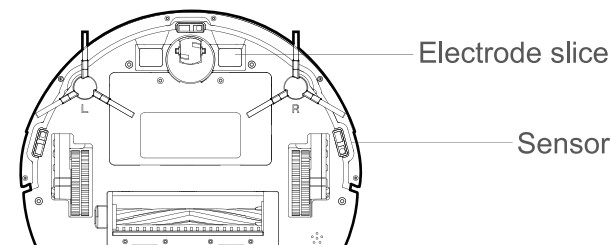
**ⓘ Attention**

- 01.If abnormal overheating is discovered during charging, stop using it immediately to avoid leakage, heating or rupture.
- 02.To prolong the service life of the battery, please remove the battery and place it in a cool, dry environment if it is out of service for a long time; this will avoid leakage, heating or rupture.
- 03.Do not soak it in water or let it come into contact with any liquid; otherwise it may cause leakage, heating or rupture.
- 04.Be sure to stop using it immediately in case of any exception (e.g. discoloration or deformation), to avoid leakage, heating or rupture.
- 05.Always use tape to insulate the battery's electrode when recycling or disposing of it.

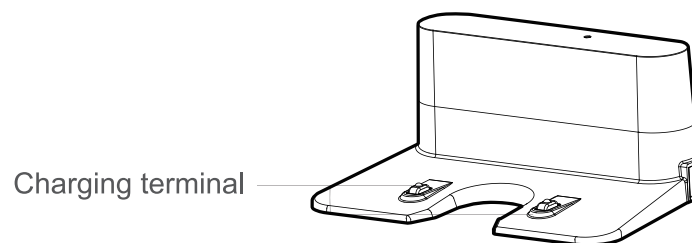
**⚠ Warning**

- 01.When skin or clothing is exposed to the battery electrolyte, immediately wash with clean water to avoid inflammation of skin, etc.
- 02.Do not use the rechargeable battery on other devices. This battery is only suitable for Tesvor smart sweeping robots.
- 03.If the battery's outer box is found to be deformed and expanded, or leakage of electrolytes is found, do not charge or continue to use to avoid danger.
- 04.Do not throw or inflict a strong impact on the battery; doing so may cause leakage, heating or rupture.
- 05.Do not disassemble the battery pack; doing so may cause battery rupture and electrolyte outflow, leading to fire, explosion and other dangers.
- 06.This appliance can be used by children aged from 8 years and above and persons with reduced physical, sensory or mental capabilities or lack of experience and knowledge if they have been given supervision or instruction concerning use of the appliance in a safe way and understand the hazards involved.
- 07.Children shall not play with the appliance.
- 08.Cleaning and user maintenance shall not be made by children without supervision.
- 09.This appliance contains batteries that are only replaceable by skilled persons.

**5.4 Maintenance of Other Components**

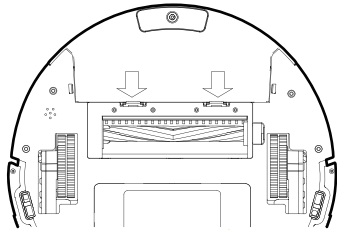


Use the cleaning tools or a dry soft cloth to periodically clean the charging plate of robot chassis and the sensor window.

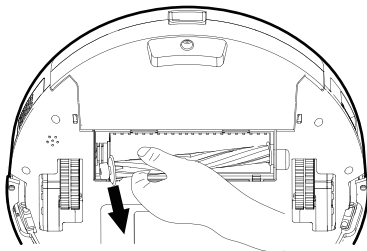


Use a cleaning tool or soft cloth to clean the charging base terminal.

### 5.3 Maintenance of Rolling Brush Components



Open the rolling brush components.



Remove the rolling brush shaft and clean off any debris and hair.

10. WARNING: For the purposes of recharging the battery, only use the detachable supply unit provided with this appliance.

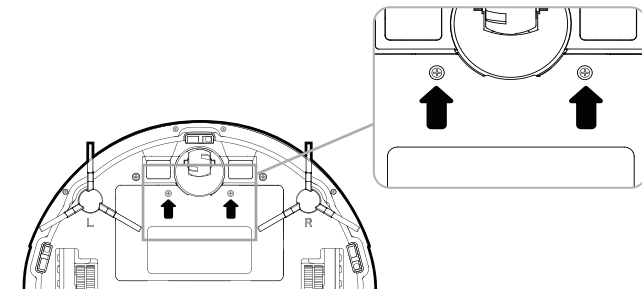
11. The power supply must be removed from the socket-outlet before cleaning or maintaining the appliance.

12. The battery must be removed from the appliance before it is scrapped.

13. The appliance must be disconnected from the supply mains when removing the battery.

14. The battery should be safely disposed off.

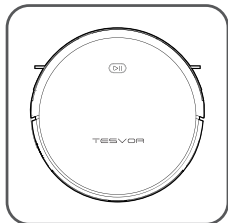
15. How to remove the battery :



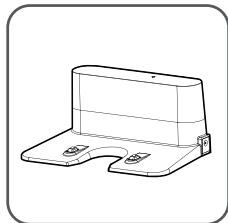
- ① Take out two screws on the battery cover with a screw driver.
- ② Take out the battery cover.
- ③ Take out the battery and unplug the electric wires to remove the battery.

☆ In addition, you can get our instructions by emailing to service @ tesvor.com.

### 3.1 Names of Parts



Main Body

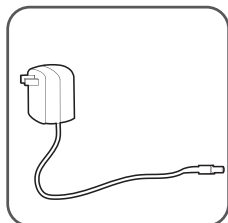


Charging Base

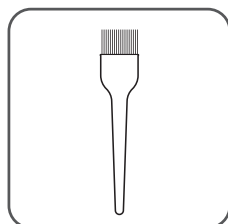


Remote Control

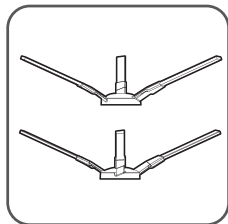
(2 \* AAA Batteries REQUIRED  
but NOT INCLUDED)



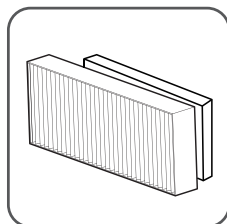
Power Adapter



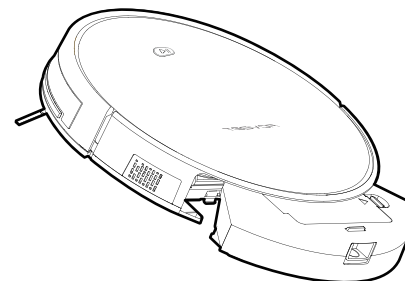
Cleaning Tool



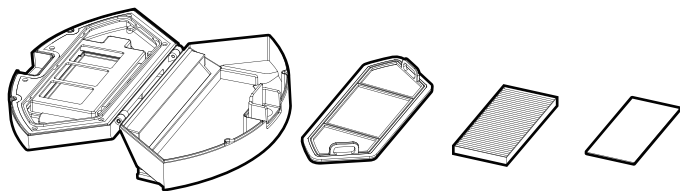
Side Brushes



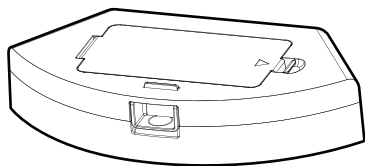
High-effective Filter/Sponge



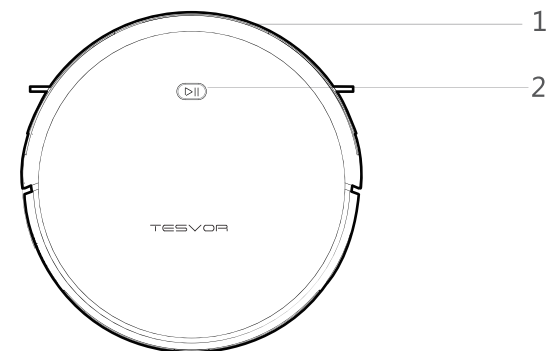
Cover the dust box and attach it to the main body.



- ① Dry the dust box and filter components. Keep them dry to ensure a longer service life.
- ② After the pre-filter is used for 15-30 days, it should be washed once.
- ③ The maximum service life of the high-efficient filter is 3 months.

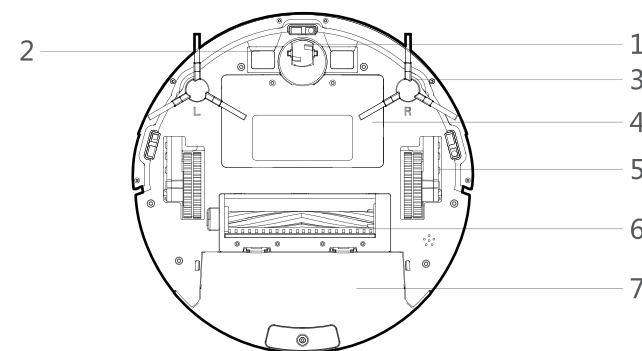


- ① Reinstall the pre-filter and high-efficient filter in the dust box.
- ② Before installing the filter, make sure that the high-efficient filter and the pre-filter are dry.
- ③ Do not expose the high-efficient filter and the pre-filter to sunlight.



**Main Body**

1. Bumper 2. Control button



**Main Body**

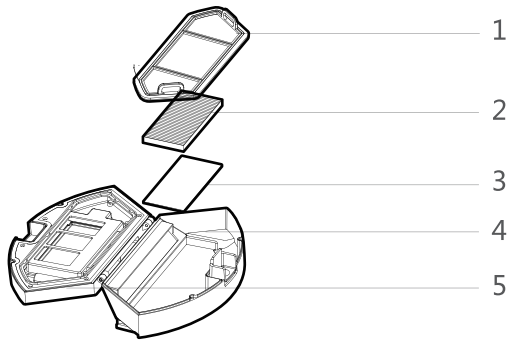
1. Universal wheel 2. Charging shrapnel 3. Side brush 4. Battery cover

5. Cincture 6. Rolling brush components 7. Dust box



**Main Body**

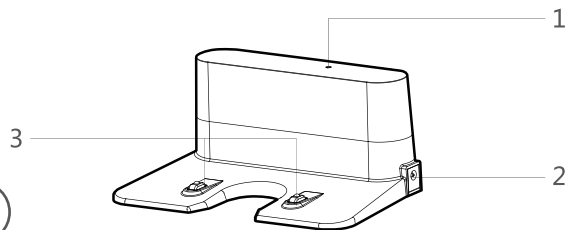
1. DC power jack 2. Power switch 3. Dust box release button



**Dust Box**

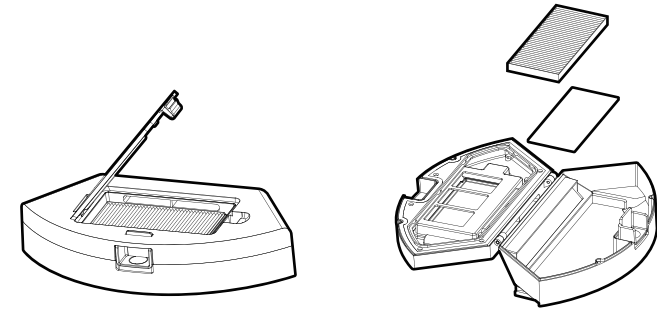
1. Pre-filter 2. High-effective filter 3. Filter sponge 4. Dust box

5. Dust box cover

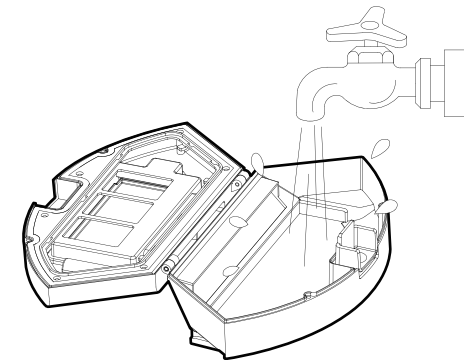


**Charging base**

1. Charging indicator 2. DC power jack 3. Charging terminal



Open the high-efficient net cover, and remove the high-efficient filter and filter sponge. It is not recommended to wash the high-efficient filter with water. Please pat off the debris carefully.



Wash the dust box and pre-filter.