



## Robotic vacuum cleaner

Instructions for use

(Note: Please read this manual carefully before use to avoid danger or damage to the product due to improper operation.)



## Table of contents

---

### **1. WIFI Setup Instructions**

### **2. Safety Instructions**

### **3. Product Composition**

- 3.1 Part name
- 3.2 Product parameters
- 3.3 Product Features

### **4. Instructions for use**

- 4.1 Precautions
- 4.2 Operation Guide

### **5. Product maintenance**

- 5.1 Side brush cleaning and replacement
- 5.2 Dust box and filter cleaning
- 5.3 Maintenance of mop components
- 5.4 Base station maintenance
- 5.5 Maintenance of Roller Brush Assembly
- 5.6 Maintenance of other components

### **6. Common faults**

- 6.1 Fault description
- 6.2 Replaceable modules

### **7. Product labeling of hazardous substances**

# Wi-Fi Setup Instructions

## WIFI settings

Scan QR code of Figure 1 , then download and install "LIBOS HOME" APP or Search for LIBOS HOME on the App Store or Android App platforms. Then, download and install it.



Figure1

Open the "LIBOS HOME" App and log in. There are two ways to log in: by verification code or by password.

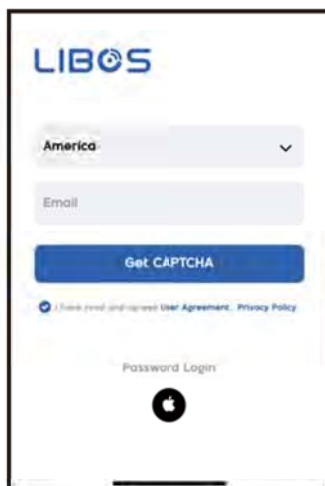


Figure2

After logging in, click the "+" sign in the upper right corner to add the device. On the device selection page, choose the "Lidar cleaner(AP) ", and follow the page prompts to connect.

(If the robot with Bluetooth function can choose "Lidar cleaner(AP + Bluetooth)" ,then select Bluetooth according to the page prompts for fast match connection.)



Figure3



Figure4

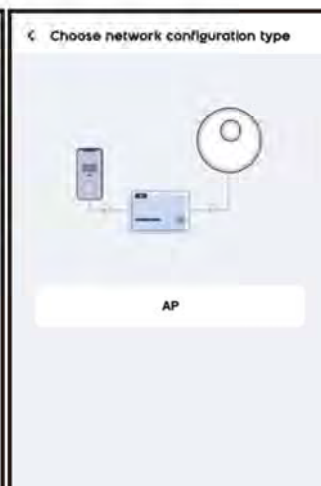


Figure5

The final interface is subject to the actual product, thank you.

# Wi-Fi Setup Instructions

Figure 6: Select the working Wi-Fi of the robot (only support 2.4Ghz Wi-Fi, Wi-Fi name does not support Chinese and full-angle symbol). Input wi-fi password and click "Next".

Turn on the robot power switch, according to the App page prompts to connect the robot.

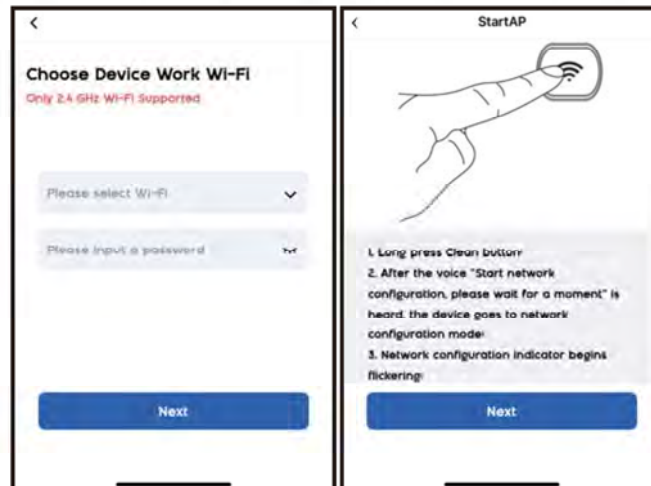


Figure6

Figure7

There are differences between iOS and Android in the following network connection steps.  
iOS:

Figure 8: Connect the robot according to the prompt on the App page.

Figure 9: Connect the phone to the hotspot of the robot in the wireless LAN "Robot## Libos-xxx" or "Robot##xxx-xxx" and then return to the App.

If the phone is connected to the robot hotspot, it will show Figure 10.

If the phone is not connected to the robot hotspot, it will show Figure 11 to reconnect; if the connection is confirmed, click "Confirm that the AP of the robot is connected, continue to the next step".

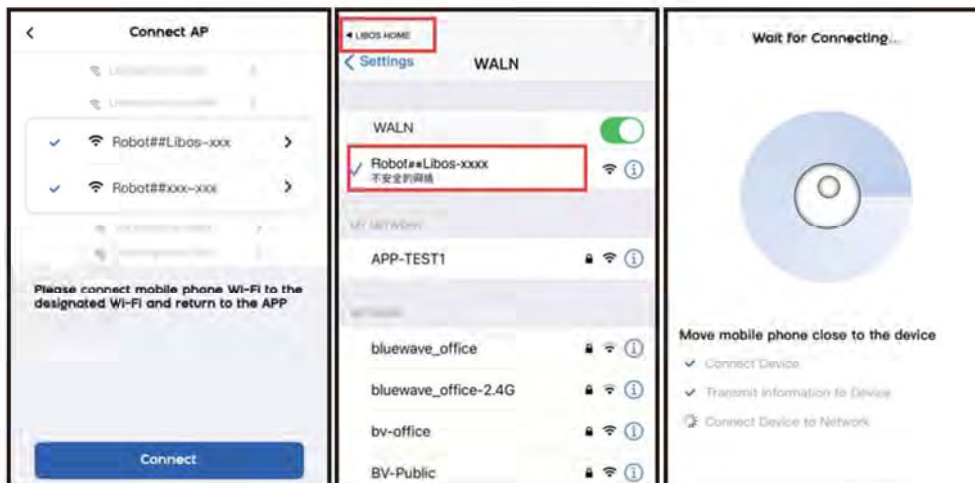


Figure8

Figure9

Figure10

The final interface is subject to the actual product, thank you.

# Wi-Fi Setup Instructions

Figure 12: Jump to home page after successful connection.

After the robot is successfully connected, click it to enter the robot control page (Figure 16).

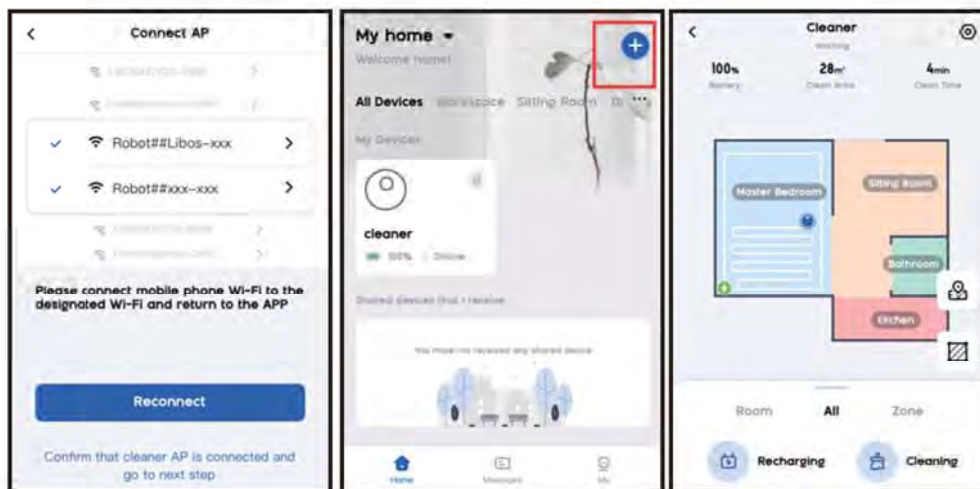


Figure11

Figure12

Figure13

Android:

Figure 14 pending connection. Wait for the hotspot "Robot##Libos-xxx" or "Robot## xxx-xxx" to pop up for the robot. Choose it and wait for the connection.

Figure 15: Jump to home page after successful connection.

After the robot is successfully connected, click it to enter the robot control page (Figure 16).

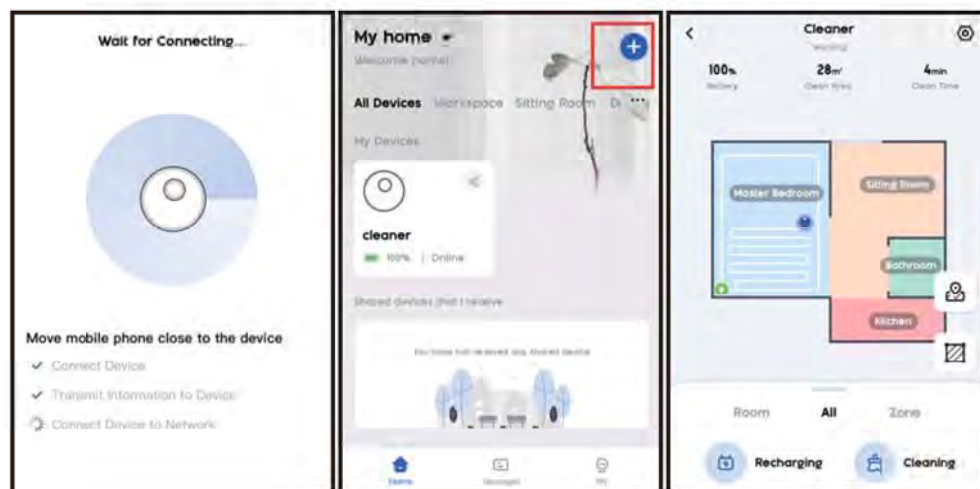


Figure14

Figure15

Figure16

The final interface is subject to the actual product, thank you.



## safety

---

Before using this product, please read the following safety instructions and follow all general safety precautions

Please read this manual carefully Please keep this manual

Any operation inconsistent with this manual may cause damage to the product

### IMPORTANT SAFETY INSTRUCTIONS

#### precautions related to the host and accessories

When using an electrical appliance, basic precautions should always be followed, including the following:

READ ALL INSTRUCTIONS BEFORE USING (THIS APPLIANCE)

WARNING – To reduce the risk of fire, electric shock, or injury:

1. Do not leave appliance when plugged in. Unplug from outlet when not in use and before servicing.
2. Do not use outdoors or on wet surfaces
3. Do not allow to be used as a toy. Close attention is necessary when used by or near children.
4. Use only as described in this manual. Use only manufacturer's recommended attachments.
5. Do not use with damaged cord or plug. If appliance is not working as it should, has been dropped, damaged, left outdoors, or dropped into water, return it to a service center.
6. Do not pull or carry by cord, use cord as a handle, close a door on cord, or pull cord around sharp edges or corners. Do not run appliance over cord. Keep cord away from heated surfaces.
7. Do not unplug by pulling on cord. To unplug, grasp the plug, not the cord.
8. Do not handle plug or appliance with wet hands.
9. Do not put any object into openings. Do not use with any opening blocked; keep free of dust, lint, hair, and anything that may reduce air flow.
10. Keep hair, loose clothing, fingers, and all parts of body away from openings and moving parts.
11. Turn off all controls before unplugging.
12. Use extra care when cleaning on stairs.
13. Do not use to pick up flammable or combustible liquids, such as gasoline, or use in areas where they may be present.
14. To reduce the risk of electric shock, this appliance has a polarized plug (one blade is wider than the other). This plug will fit in a polarized outlet only one way. If the plug does not fit fully in the outlet, reverse the plug. If it still does not fit, contact a qualified electrician to install the proper outlet. Do not change the plug in any way.

SAVE THESE INSTRUCTIONS

## safety

---

### **warn**

01. Do not disassemble, repair or modify the machine by yourself, otherwise the product will be damaged and danger will occur.
02. Do not use this product in an environment that may cause fire or explosion.
03. This product can only use the original power cord, otherwise it may cause damage to the product and cause a fire.
04. It is forbidden to stand or sit on this product, otherwise it may cause product damage or fall.
05. When dust is attached to the metal part of the power plug, be sure to wipe it off with a dry cloth.
06. The base station uses (USA 120V) (EU 220~230V) AC voltage, please insert the plug into the socket correctly to avoid children touching it.
07. It is forbidden to wash and soak the host and electronic components, otherwise it will cause short circuit damage.
08. Do not damage the processing power cord, do not press heavy objects on the power cord, heat the power cord or pull and bend the power cord.
09. When the product is running and cleaning, please pay attention to the safety of young children and elders to avoid the danger of tripping. Please do not touch the wheels and side brushes with your hands to avoid being entangled and causing injury. (Please pay special attention to young children)
10. This product is an indoor household product, please do not use it outdoors.
11. It is forbidden to touch the battery contacts with metal and conductive substances, otherwise it will cause a short circuit.

### **Notice**

01. Do not touch with wet hands, otherwise it may cause electric shock.
02. Do not place this product in a place where it is easy to fall, such as a high platform in a room with tables and chairs.
03. This product is a precision electronic device, so avoid prolonged exposure to sunlight.
04. Do not use this product in a humid environment, such as a bathroom.
05. Do not put this product near cigarette butts, lighters and other open flames.
06. Please clean the product after charging.
07. When not using this product for a long time, please turn off the power switch on the side of the machine.
08. Please carefully check whether the power adapter is connected to the socket before use, otherwise the machine will be damaged.
09. Laser standard: IEC-60825; class: class I; wavelength: 775-800nm, laser radiation function: 5mw.
10. The display method of the product model approval code is reflected on the nameplate.
11. Before using this product, please remove all vulnerable items on the ground, such as glasses, lamps, and items that may entangle the side brushes and suction channels, such as wires and curtains.



## safety

---

12. When the trash box is full, please empty the trash before using the machine.
13. Do not use the machine to clean construction waste.
14. The operating temperature range of this product is 5 degrees Celsius to 40 degrees Celsius, please do not use it in a high or low temperature environment.  
(Battery storage temperature: -20~50 ℃)
15. Before discarding this product, please remove the battery from the machine. When removing the battery, please ensure that the product is not connected to the power supply. Please recycle the waste battery in a safe and environmentally friendly manner.
16. This equipment is only for use by normal people over 8 years old. Users are not allowed to use and maintain the equipment if they do not fully understand the safe use of equipment, or lack physical, sensory, and mental capabilities.

### Safety Precautions for Rechargeable Batteries

#### **Danger**

01. Be sure to use a dedicated battery adapter, otherwise it will cause leakage, heating or rupture.
02. Do not short-circuit or disassemble the battery, otherwise it will cause leakage, heating or rupture.
03. Do not transport or store together with metal objects such as necklaces and hairpins, otherwise it will cause a short circuit and cause leakage, heat or rupture.
04. Do not throw the battery into fire or heat the battery, otherwise it will cause leakage, heating or rupture.

#### **Notice**

01. If abnormal overheating is found during charging, please stop using it immediately, otherwise it will cause leakage, heating or rupture.
02. In order to prolong the service life of the battery, please pull out the battery when not in use for a long time, and place it in a cool and dry environment, otherwise it will cause leakage, heating or rupture.
03. Do not immerse in water or come into contact with liquid, otherwise the leaking liquid will heat up or burst.
04. Be sure to stop using it when abnormality occurs (such as discoloration or deformation), otherwise it will cause leakage, heating or rupture.
05. Be sure to use tape or the like to insulate the electrode part when recycling or disposing of the product.
06. If the battery leaks, please wipe it clean with a dry cloth, recycle it in time, or discard it.
07. Put the recycled batteries in battery recycling bins or harmful trash cans set up in communities, hotels, schools, shopping malls, supermarkets, etc., and collect them by professional recycling agencies. Discarded product battery, product battery must be removed and discarded in accordance with local laws and regulations

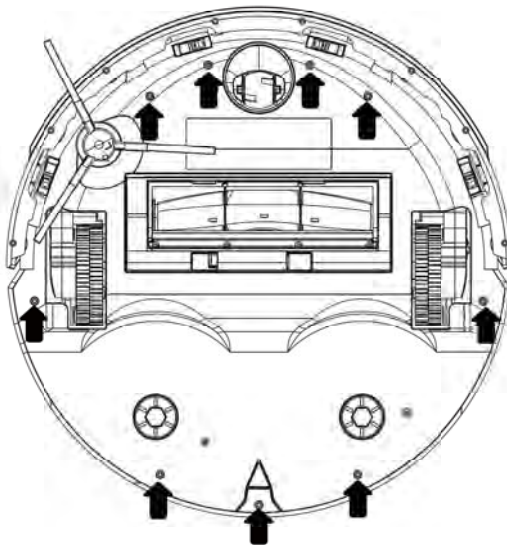
## safety

---

### warn

01. If the battery leakage touches the skin or clothes, it must be washed immediately with clean water. If it is ignored, it will cause skin inflammation and other problems.
02. Do not use the rechargeable battery of this product on other devices. This battery is only suitable for intelligent sweeping robots.
03. When the battery case is found to be deformed and swelled and the electrolyte flows out, it is forbidden to charge or continue to use to avoid danger.
04. Do not hit or throw the battery strongly, otherwise it will cause leakage, heating or rupture.
05. It is forbidden to disassemble the battery pack, otherwise it will cause the battery pack to rupture and the electrolyte to flow out, causing fire and explosion hazards.

### How to remove the battery



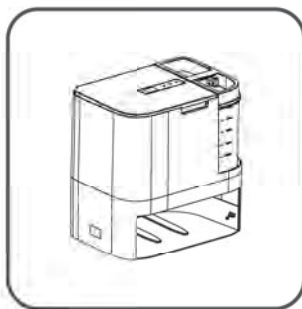
01. Use a screwdriver to take out the 9 screws on the bottom case.
02. Take out the bottom case.
03. Unplug the wire and take out the battery.

## product composition

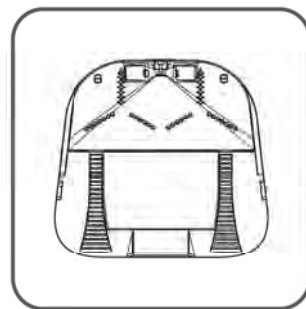
### 3.1 Part name



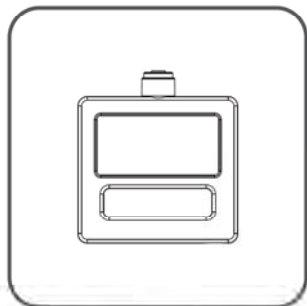
the host



clean base station



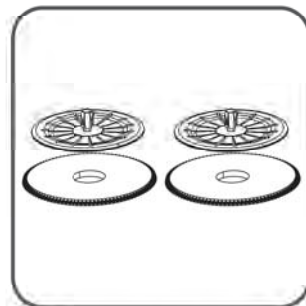
washable tray



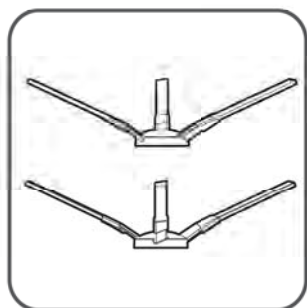
Bleach



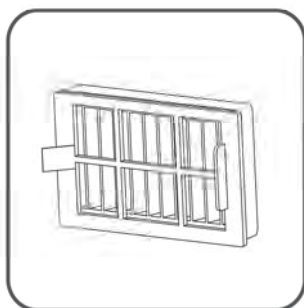
Base Station Cleaning Tool



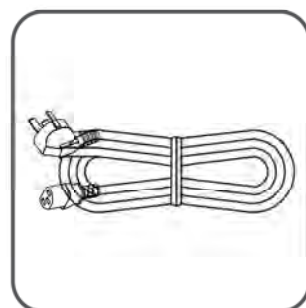
Mop holder/mop



side brush



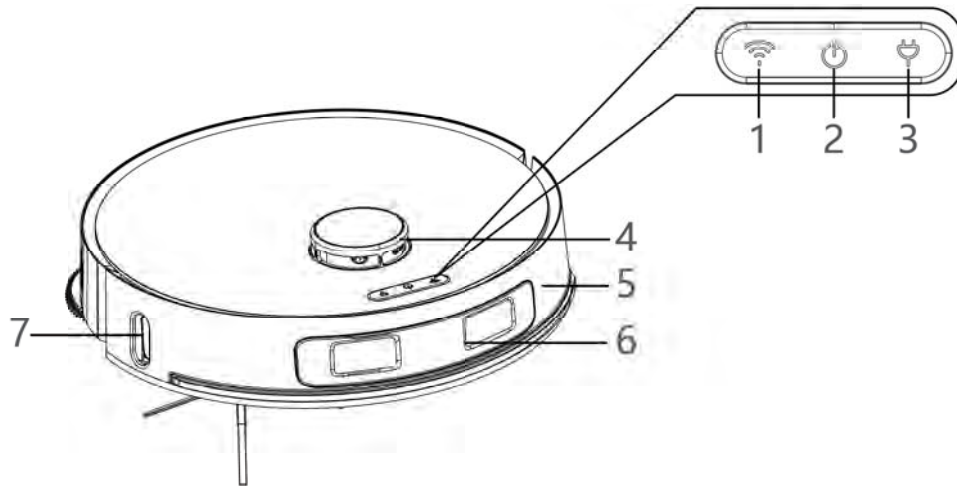
filter assembly



power cable

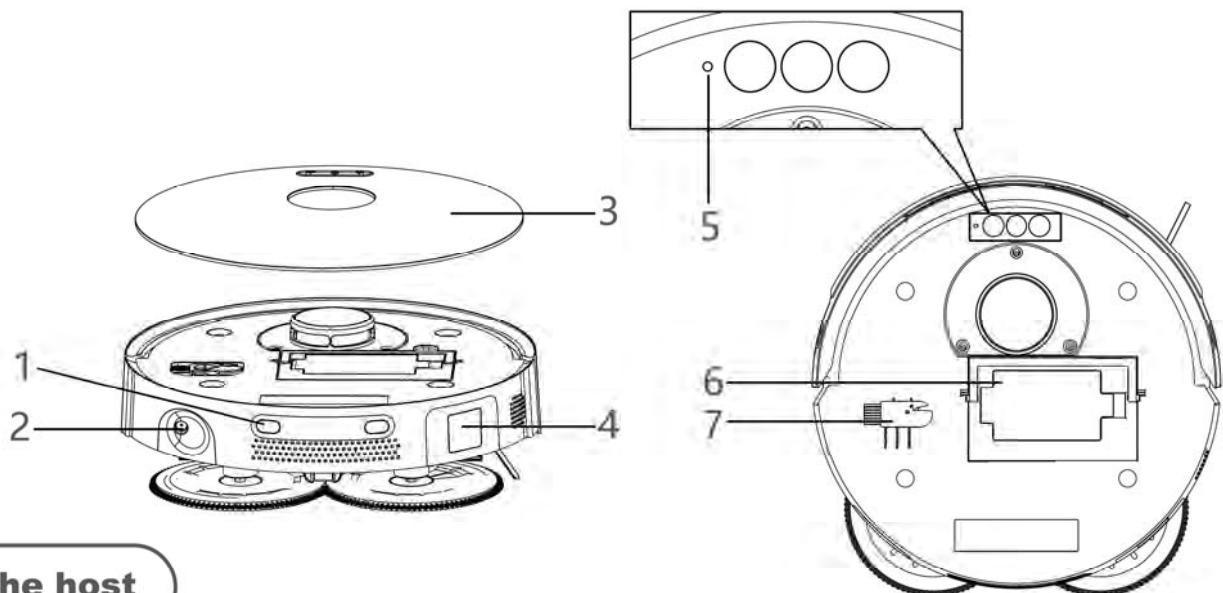
The accessories are slightly different, please refer to the actual product received

## product composition



### the host

- |                          |                     |                   |                   |
|--------------------------|---------------------|-------------------|-------------------|
| 1.WIFI connection button | 2.Power button      | 3.Recharge button | 4.Lidar component |
| 5.Bumper                 | 6.Line laser sensor | 7.TOF sensor      |                   |

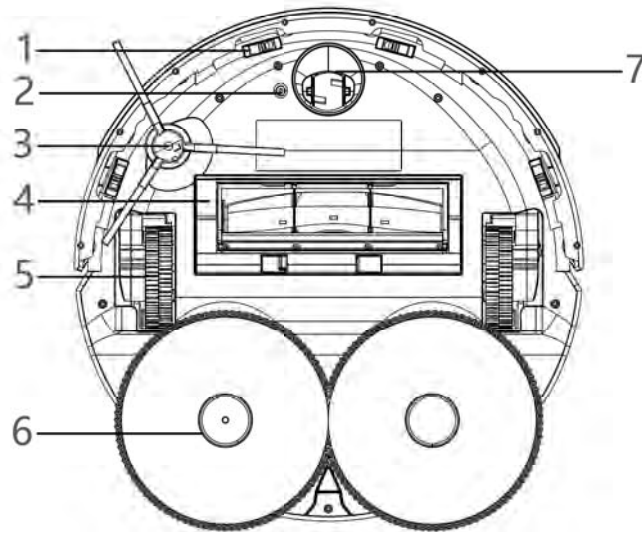


### the host

- |                        |                        |                          |                       |
|------------------------|------------------------|--------------------------|-----------------------|
| 1.Charging pole piece  | 2.Water injection hole | 3.Magnetic panel         | 4.Vacuum suction port |
| 5.Factory reset button | 6.Dust collection box  | 7.Scrubber cleaning tool |                       |

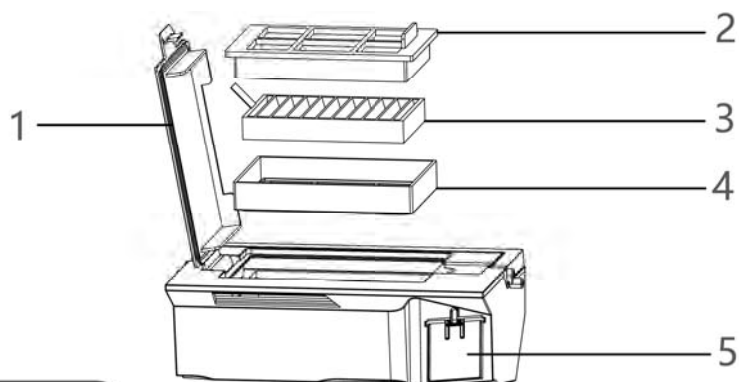


## product composition



### the host

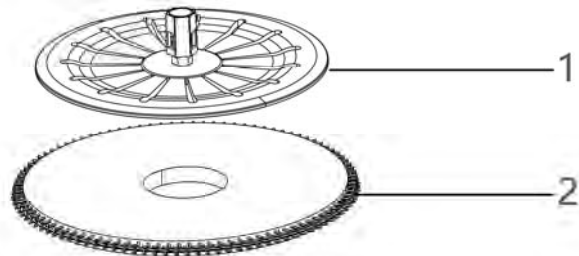
- |                               |                               |                 |
|-------------------------------|-------------------------------|-----------------|
| 1. Ground detection component | 2. Carpet detection component | 3. Side brush   |
| 4. Roller brush component     | 5. Side wheel assembly        | 6. Mop assembly |
| 7. Universal wheel assembly   |                               |                 |



### Dust box assembly

- |                        |                 |                           |                    |
|------------------------|-----------------|---------------------------|--------------------|
| 1. Dust box flip cover | 2. Hypa bracket | 3. High efficiency filter | 4. Hypa silica gel |
| 5. Dust outlet         |                 |                           |                    |

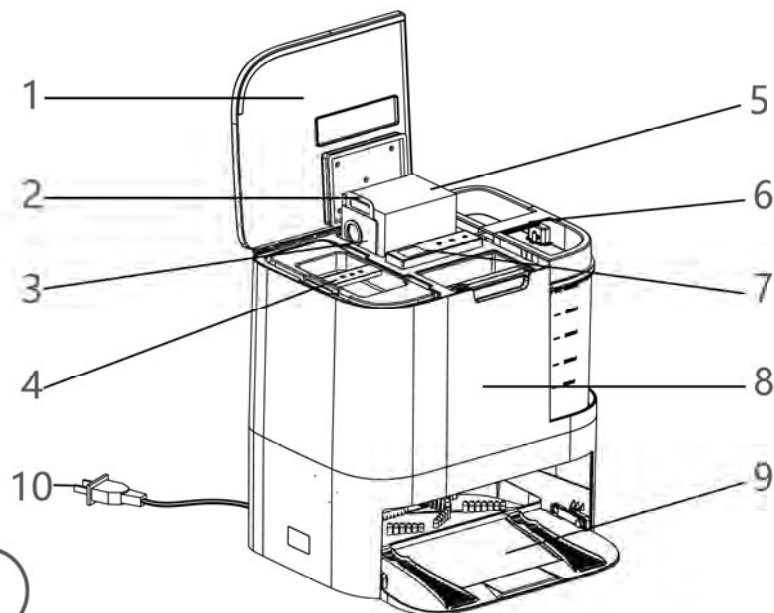
## product composition



### Mop component

1.Mop holder

2.Mop



### base station

1. Lid

2. Dust bag handle

3. Dust bag guide plate

4. Sewage tank

5. Dust bag

6. Fresh water tank

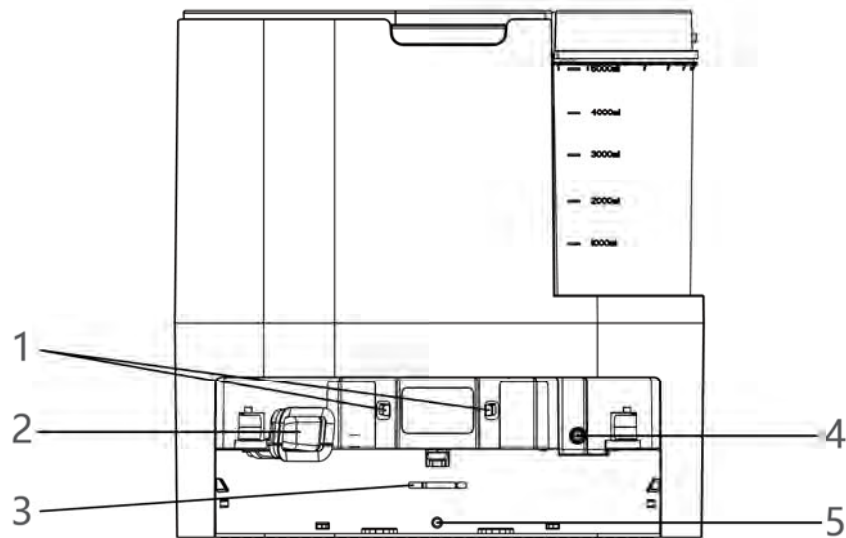
7. Touch button + display

8. Body

9. Washable tray

10. Power cord

## product composition



### base station

1. Charging electrode  
4. Water nozzle

2. Dust collection port  
5. Sewage suction port

3. Hot air drying port

## 3.2 Product parameters

### Structural class

Sweeper Diameter	348mm
Sweeper Thickness	104mm
Net weight of sweeper	4.11kg
base station size	460*400*452mm
Net weight of the base station	10.5kg

### Electronics

Sweeper voltage	14.4V
Sweeper battery capacity	5200mAh
Sweeper button type	Physical button + LED button
Base station button type	touch LED button
Hardware version	S710-MB-CSI-VERF

## product composition

### Accessories

Sweeper water tank capacity	145ml
Sweeper dust box capacity	230ml
Sweeper cloth (polyester cotton)	150*38*7mm
Base station clean water tank capacity	5000ml
Base station sewage tank capacity	3450ml
Base station dust bag capacity	2500ml
Quantity of bleach	1 PCS
Bleach type	neutral

### Operating parameters

Sweeper charging type	Manual / Auto
cleaning time	Approx.120min
charging time	300-360min
Base station rated input	USA 120V~50/60Hz
Base station rated input	EU 220V~230V~50/60Hz
Base station rated output	19V $\approx$ 1A
Software version	10131004

Robotic vacuum cleaner		
	Frequency Range(MHz)	Max E.I.R.P (dBm)
WIFI module(AW-NM372SM)	2412-2472	20.5
BT-(AW-NM372SM)	2402-2480	13
WIFI module (ESP-WROOM-02D)	2412-2472	20.5

Charging base station		
	Frequency Range(MHz)	Max E.I.R.P (dBm)
WIFI module(XR829)	2412-2472	17
WIFI module (ESP-WROOM-02D)	2412-2472	20.5



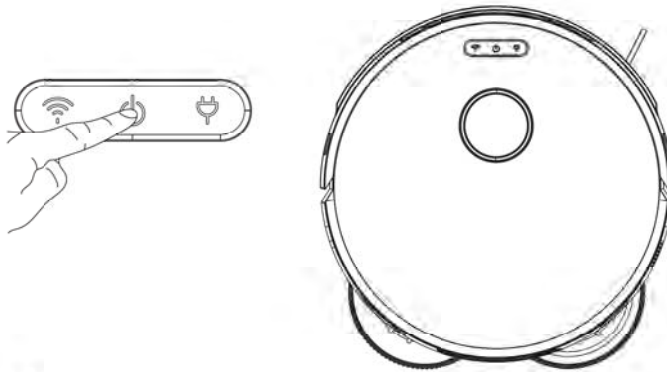
## product composition

---

### 3.3 Product Features

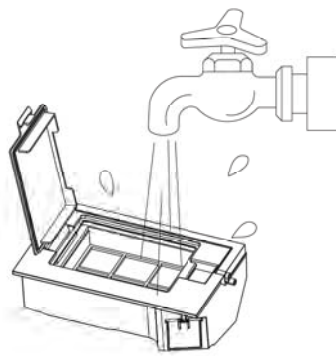
#### Intelligent cleaning adjustment

This product can adjust the cleaning mode through the APP according to different cleaning modes, which greatly improves the cleaning efficiency and can save 30% of the power.



#### humanized design

The operation is simple and easy to use. After long pressing the power button to turn on the machine, you only need to press the "control" button lightly to control the machine! Follow the prompts and let the machine start working for you!

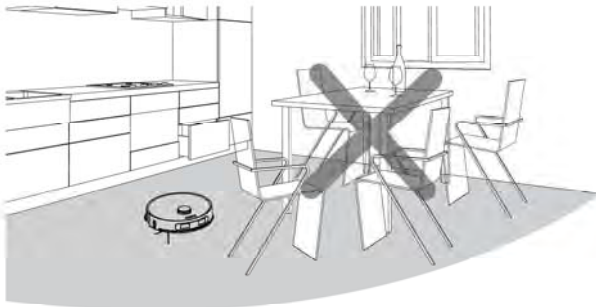


#### The litter box can be washed with water

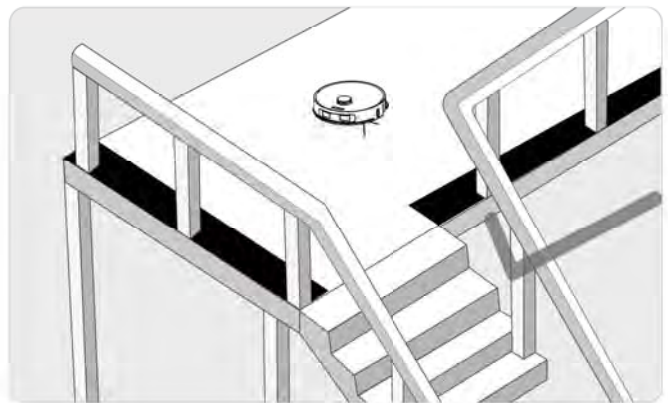
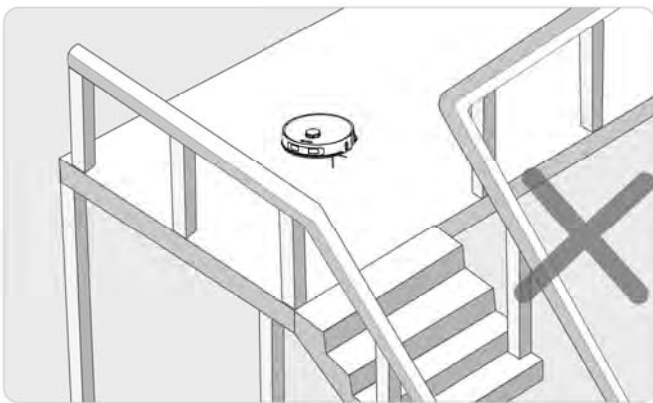
Both the dustbin and the primary filter can be washed directly with water, which does not require much labor on your part, and washing the dustbin with water can avoid flying dust!

## Instructions for use

### 4.1 Precautions



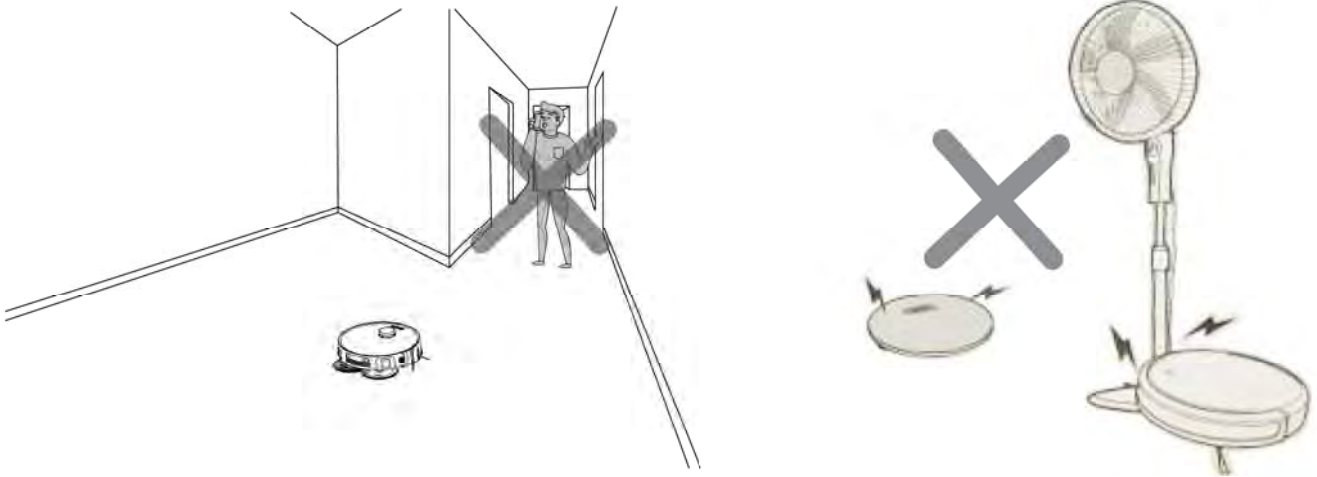
When the host is working, please help and remove unfriendly obstacles in the work. Arrange the tables, chairs and other furniture and home appliances in the home neatly, and the host will clean it smoothly and return you a clean and new home.



If the main engine performs tasks at the entrance of the stairs, the edge of the steps, or the entrance of the narrow area between the furniture, please place a protective fence to ensure its safety and smooth operation.

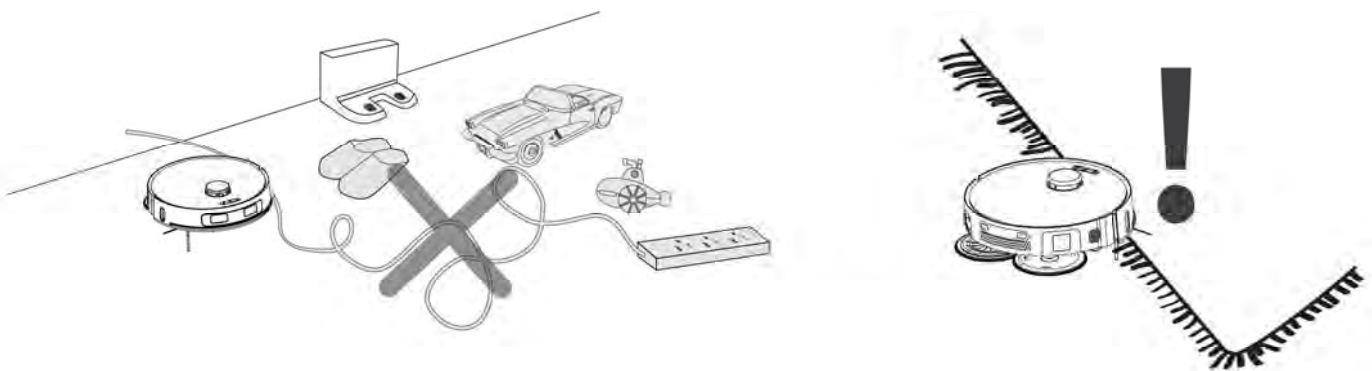
## Instructions for use

---



Please do not stand in narrow places such as thresholds and aisles, so as to prevent the host from missing scans.

When the host is performing work, please ensure that no objects with the lowest edge less than 1.8 cm are placed in the cleaning area to prevent the host from climbing and getting stuck.

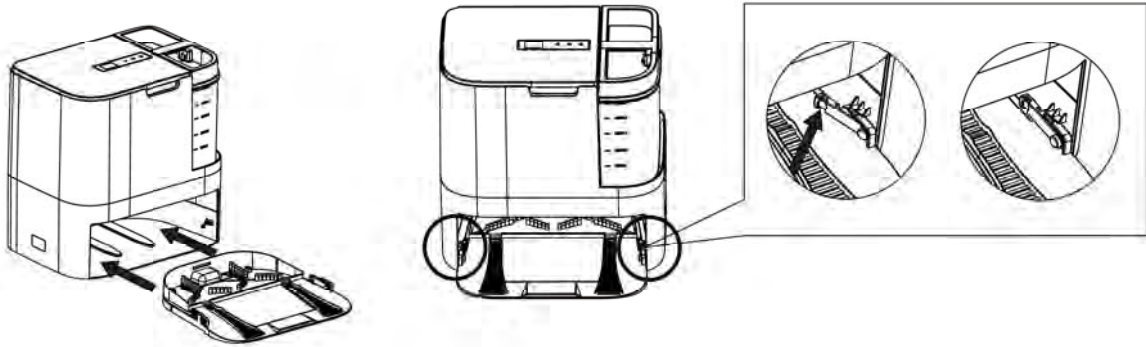


Power cords, toys and other sundries scattered on the ground may trip or entangle the host, please remove the sundries carefully. The robot has a carpet recognition function. When the machine is equipped with a mop, when it encounters a carpet, it can automatically lift the mop for vacuuming.

# Instructions for use

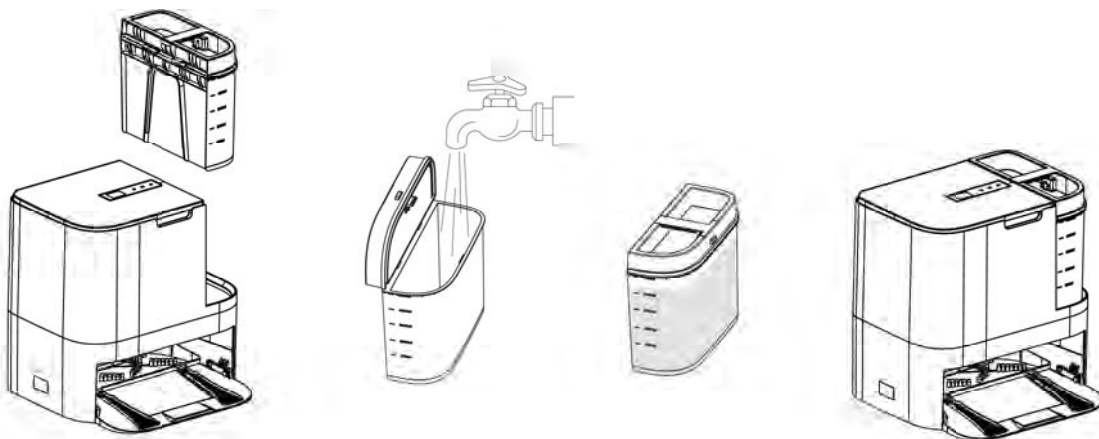
## 4.2 Operation Guide

### Assemble the base station



Align the washable tray with the installation position of the base station, push it into the base station, and press the buckles on both sides to fix the washable tray.

### Add water to the



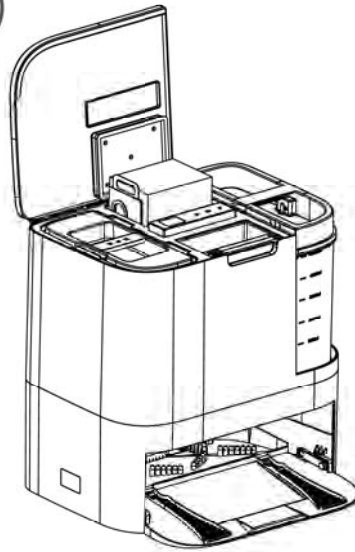
and add an appropriate amount of clean water (4500ml is recommended). Cover the clean water tank cover and align it with the base station to complete the installation.



## Instructions for use

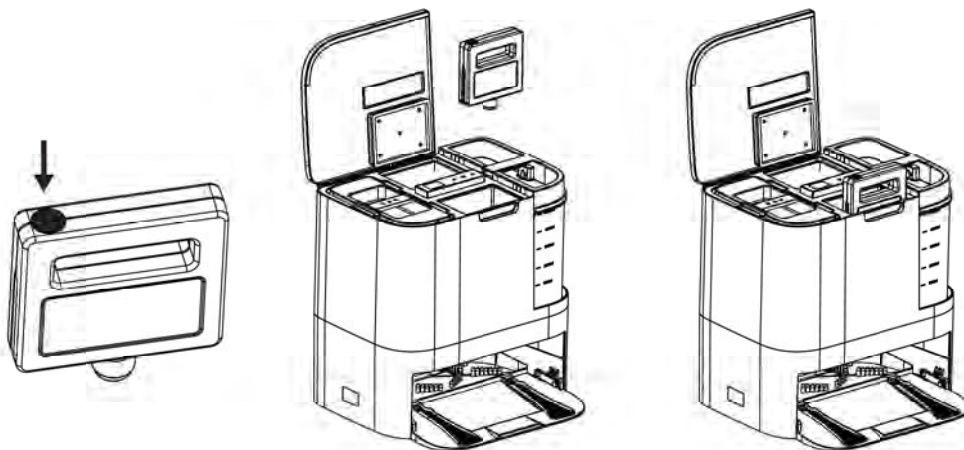
---

### place dust place dust



Open the top cover, insert the dust bag guide plate into the dust bag stop of the base station, and the dust bag handle should be fully inserted into the dust bag guide plate. Close the top cover.

### place cleaning solution

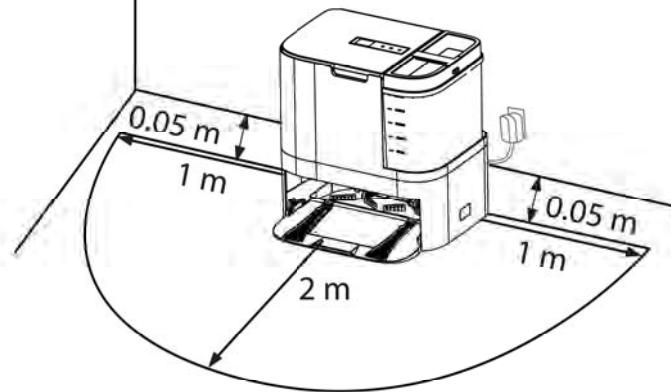


Peel off the cleaning fluid sealing sticker, open the top cover of the base station and insert the cleaning fluid vertically. Then close the top cover

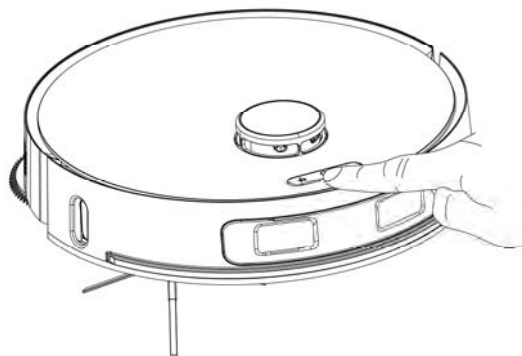
## Instructions for use

---

**place base station**



Place the base station flat against the wall, do not place objects within 1M to the left and right and 2M in front, and do not have objects with strong reflective surfaces such as mirrors. Then connect the power.

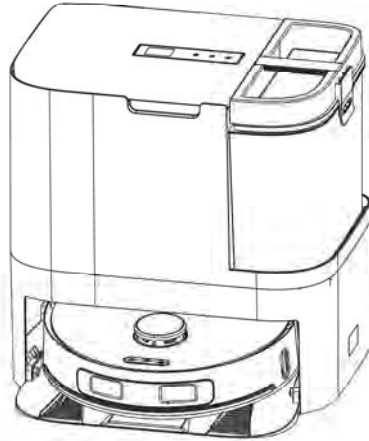


Long press the power button of the machine to turn on the machine, all the lights are on, and enter the waiting command mode. If there is no operation on the machine within 10 minutes, the machine will enter sleep mode.

## Instructions for use

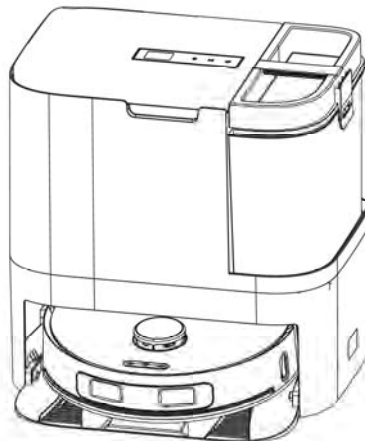
---

### Power on and charge



Press and hold the power button of the sweeper to turn on the machine. In any mode, press the "Recharge" button on the main unit or the "Recall" button on the base station to automatically recharge the sweeper. You can also click the recharge button on the APP to make the machine recharge automatically.

### automatic charging

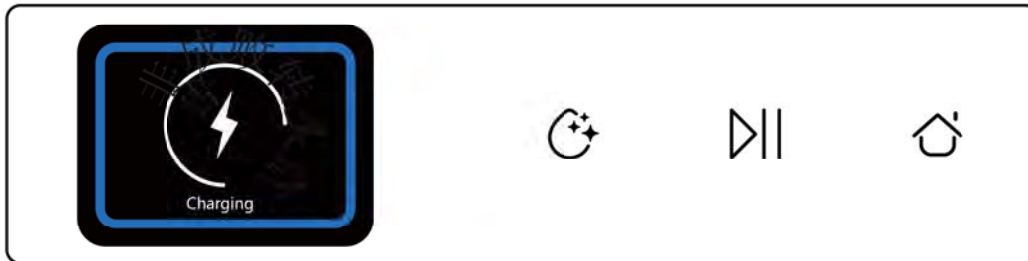



This product complies with European ERP energy loss standards.

When the cleaning is completed or the battery is too low, the machine will automatically start looking for a charging base to charge. Please keep the charging base powered on, otherwise the machine will not be able to find the base for charging.

# Instructions for use


## Base station touch buttons and display




Click  the base station self-cleaning button. (If the sweeper is in the base station, it will exit the base station about 50cm to enter the waiting command mode.) The base station will add water to the cleaning tank for self-cleaning, and will automatically drain the sewage after cleaning. After the start of self-cleaning, every time you click the self-cleaning button, the base station will switch between "add water to the cleaning tank" and "drain the sewage" once.


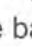
(If the sweeper does not operate in 10 minutes while waiting for command mode, the machine will enter sleep mode.)



Click  on the sweeper to start cleaning, and click on the sweeper again during the cleaning process to pause cleaning



Tap  the sweeper to return to the base station for charging in any mode. Click again in the process of returning to the base station, the machine will suspend recharging and enter the waiting command mode.

Press and hold at the same time   to turn off the child lock. All buttons on the sweeper and base station are locked. APP control is not affected. Press and hold again at the same time to turn off the child lock. When the child lock is turned on, all buttons on the sweeper and base station are locked. APP control is not affected. Long press again

### Charging Precautions

01. When using the machine for the first time, please let the machine run out of power.
02. Please charge the machine for 12 hours for the first time. When the machine is charging, the recharge button will flash. When the charging is completed, the control button light will be on.
03. If you do not use the machine for a long time, please press and hold the power button to turn off the sweeper.
04. After the power is used up, please recharge the machine as soon as possible.
05. This product can only use the charging base station equipped with the factory.
06. The battery will be repaired and replaced by the after-sales department.




# Instructions for use

---

## Key Function




Long press  to switch between power on and off, short press after power on to switch between start cleaning and pause cleaning.



Long press  to activate host hotspot for network configuration.



After powering  on, short press the main unit to start recharging.

## Sleep

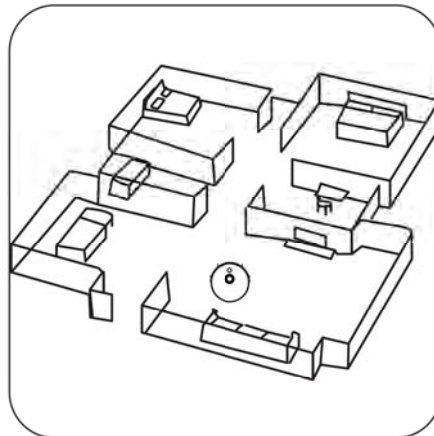
Sleep mode means that the machine is in a stopped state, and the control button lights are off. In standby mode, if there is no operation on the machine for 10 minutes, the machine will automatically enter sleep mode. Note: If the machine will not be used for a long time, please turn off the machine.

# Instructions for use

---

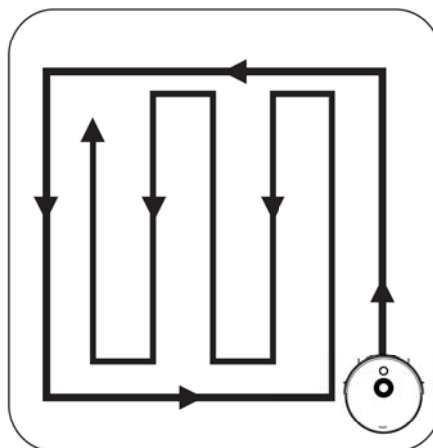
## cleaning mode

### explore mode



For the first time, you can activate the APP to quickly build a Figure function, the machine will independently explore the indoor environment, and the fastest 8 minutes to build a 100 square meter Figure.

### planning cleaning

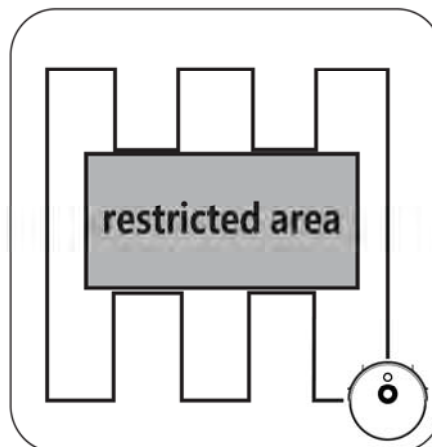


The machine will perform intelligent multi-zoning according to the room environment. First extend an area and then carry out the bow-shaped planning and cleaning. Line laser and infrared sensor fusion obstacle avoidance can accurately avoid common indoor objects; ToF along the wall can be as close to the wall as possible to avoid missing the wall

## Instructions for use

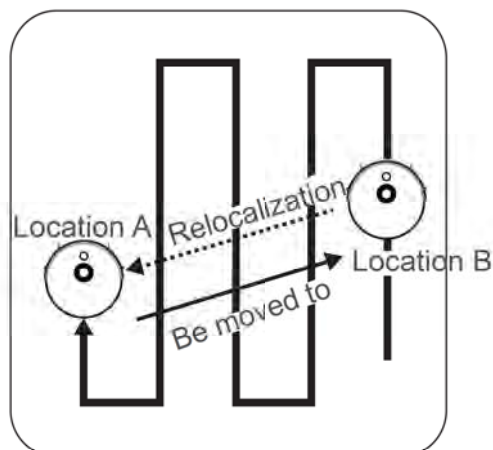
---

### Draw a restricted area



It is only applicable to APP operation, and the restricted area is divided on the APP, and the sweeper will automatically avoid the area.

### laser repositioning



During the cleaning process, move the sweeper after a pause, and then restart it, the sweeper will seek repositioning, if the positioning is successful, the sweeper will continue to clean, if it fails, empty the Figure and clean again

# Instructions for use

---

## other modes

Connect APP to open more modes

Single mopping mode: The machine only mops the floor (the side brush and the roller brush are turned on, and the fan is not turned on).

Single sweeping mode: raise the mop, turn on the side brush, roller brush and fan.

Sweeping and mopping integrated mode: Turn on the fan, side brush, and roller brush, and the mop fits the ground, applying pressure or rotating.

Carpet avoidance mode: when it is turned on: when cleaning (three modes), the carpet is not cleaned. When it is turned off: In the sweeping and single mopping modes, lift the mop to clean the floor and turn off the water tank at the same time; in the sweeping mode, directly put on the carpet; after laying down the carpet, restore the previous cleaning settings.

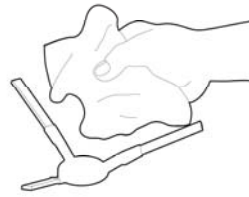
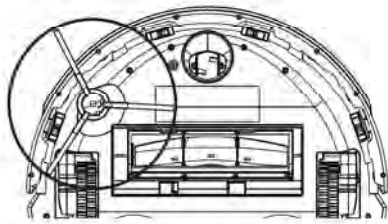
Carpet booster mode: [Switch] Increase the fan gear to Max when cleaning the carpet.

(Single mopping mode and sweeping and mopping integrated mode, the machine needs to be equipped with a mop to start. When it encounters a carpet, it will automatically lift the mop, stop the rotation of the mop, turn off the water tank, and avoid wetting the carpet. When entering, pausing, and exiting, there will be a voice broadcast.) Users can adjust according to the actual situation.

## Product Maintenance

---

### 5.1 Side brush cleaning and replacement



Check the condition of the side brush from time to time to see if it is damaged or entangled with foreign objects. Clean the side brush with a cleaning tool or a rag. When the side brush is damaged and cannot be used, please replace it in time. L and R correspond to each other.

### 5.2 Dust box and filter cleaning



open magnetic panel

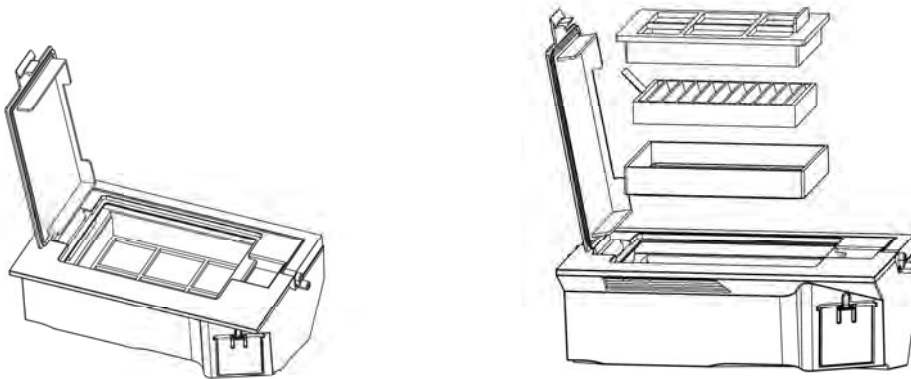


## Product Maintenance

---



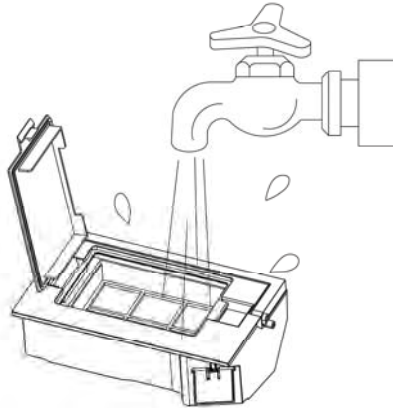
Lift the dust box handle up and take out the dust box.



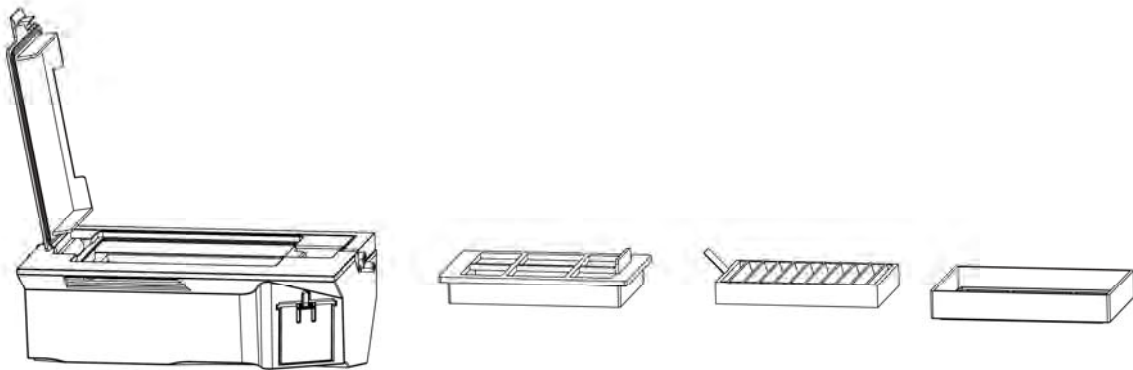
Open the flip cover of the dust box, and take out the Hypa bracket, HEPA filter and Hypa silica gel. It is not recommended to wash the high-efficiency filter, please tap it to remove dust.

## Product Maintenance

---



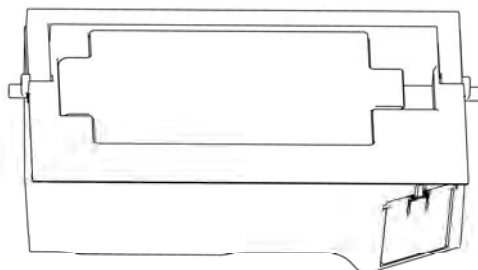
After rinsing the dust box, shake the water from the dust outlet vigorously.



Dry the dust box and filter material components and keep them dry to ensure their service life. When the dust box is used for 15-30 days, it is recommended to wash it once. The maximum service life of the high-efficiency filter is 3 months.

## Product Maintenance

---



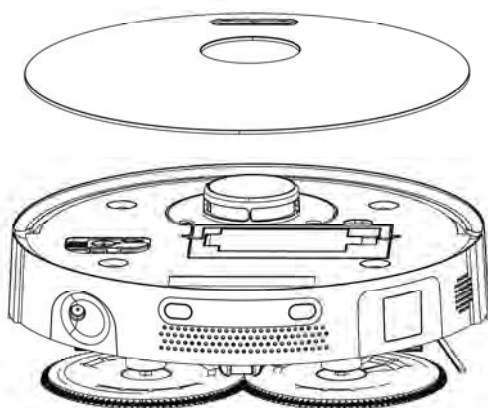
Reinstall the Hypa bracket, Hypa silica gel and high-efficiency filter back into the dust box. Before installing the filter, please ensure that the primary filter and the high-efficiency filter in the dust box are in a dry state. Do not expose the high-efficiency filter and the primary filter to the sun.



Put the dust box on the dust box position of the machine.

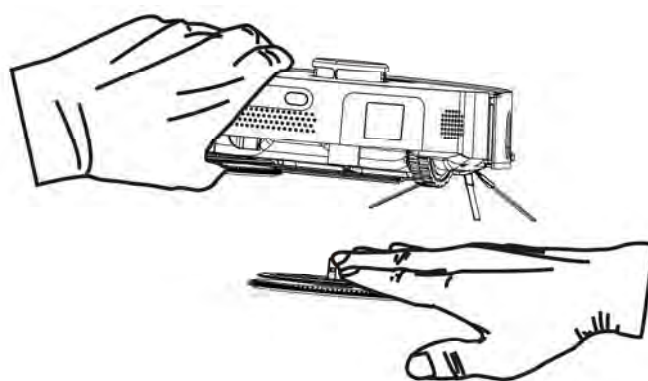
## Product Maintenance

---



Close the magnetic cover to complete the installation of the dust box.

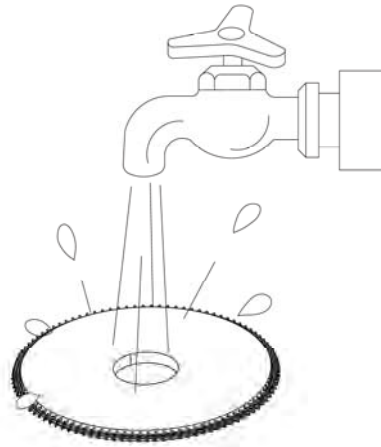
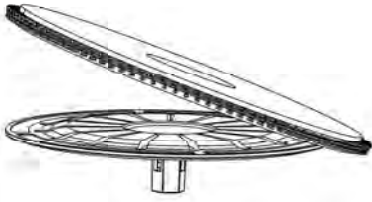
### 5.3 Maintenance of mop components



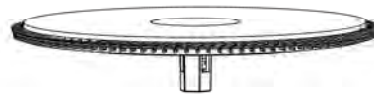
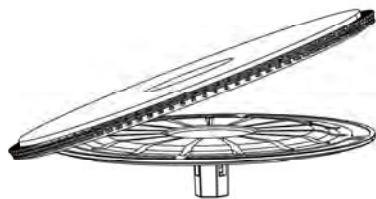
Lift up the rear of the machine and press firmly on the mop assembly to remove it. Prevent water on the mop from seeping inside the machine and causing damage.

## Product Maintenance

---



Peel the soaked mop off the mop holder. Then rinse and dry the water seepage mop.

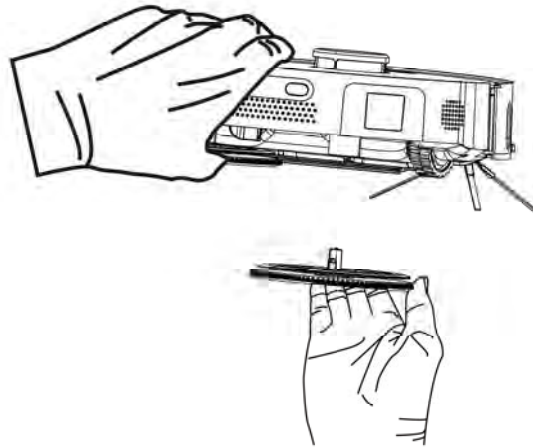


Put the dried mop on the mop holder.



## Product Maintenance

---

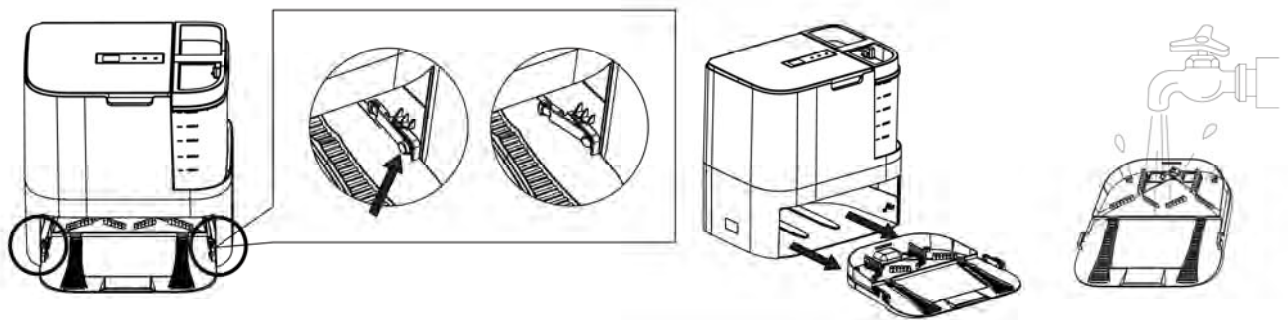


Hold up the rear of the machine, align the mop assembly with the machine mount and press firmly to fit.

# Product Maintenance

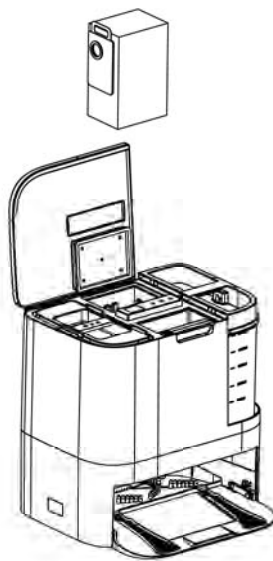
## 5.4 Base station maintenance

### pallet maintenance



Press the retaining buckles on both sides to disengage the washable tray buckles from the base station. Then pull out the washable tray. Rinse and put back into the base station.

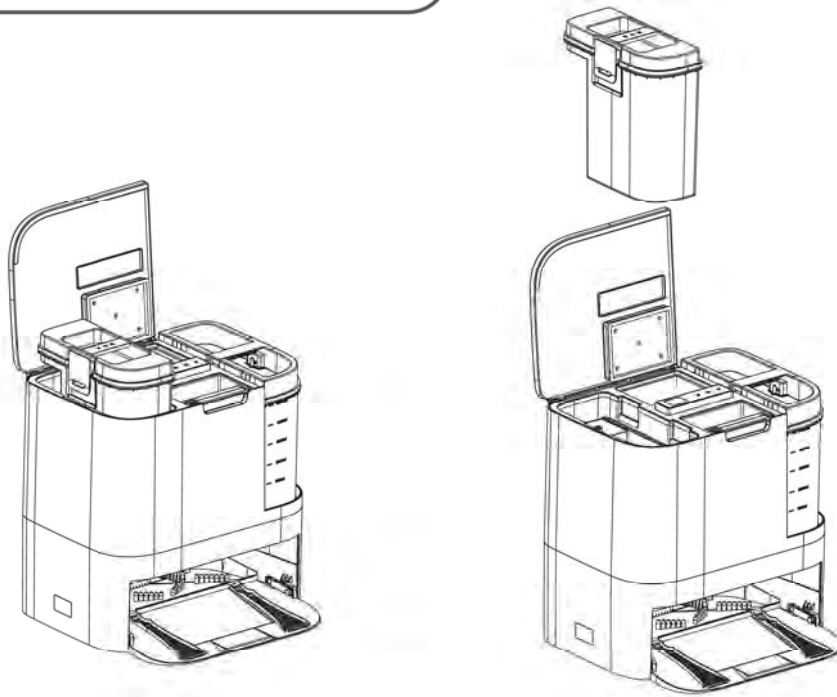
### Replace the



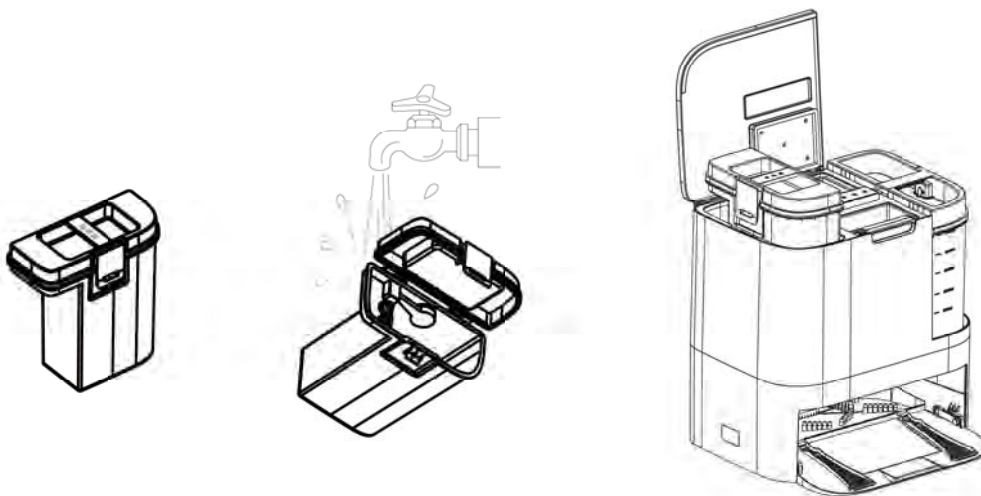
Open the top cover, pinch the handle of the dust bag and pull it up, so that the dust bag is detached from the base station. Then follow the step of placing the dust bag and replace with a new dust bag.

## Product Maintenance

### Recovery tank maintenance



Open the top cover, lift up the sewage tank vertically, and take out the sewage tank.

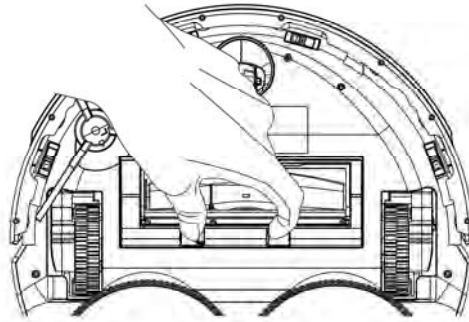


Open the cover of the sewage tank, dump the sewage in the sewage tank, rinse the sewage tank, and install it back to the base station.

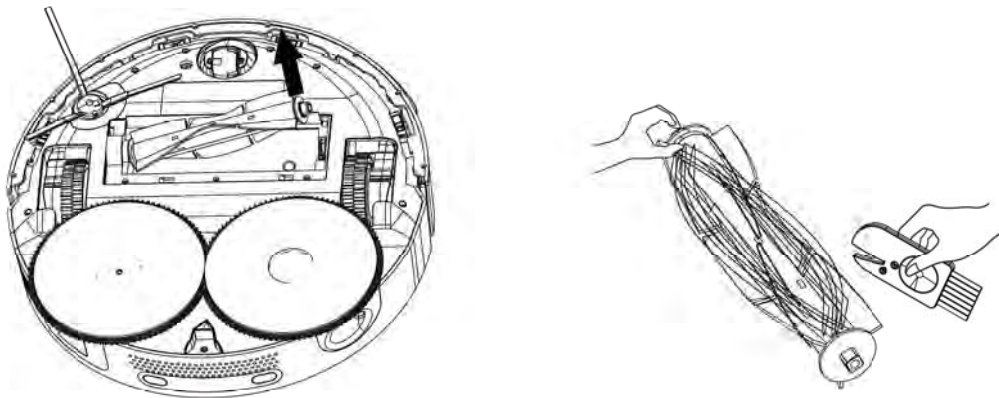
## Product Maintenance

---

### 5.5 Maintenance of Roller Brush Assembly



Hold the elastic buckle of the roller brush cover with your hands, and pull up to open the roller brush cover assembly

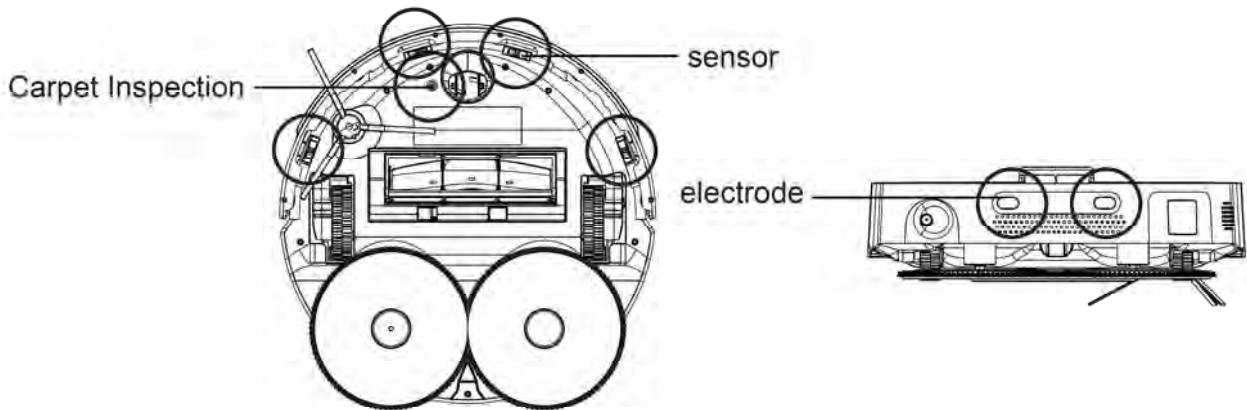


Take out the roller brush shaft, and clean the sundries and hair on the roller brush shaft.

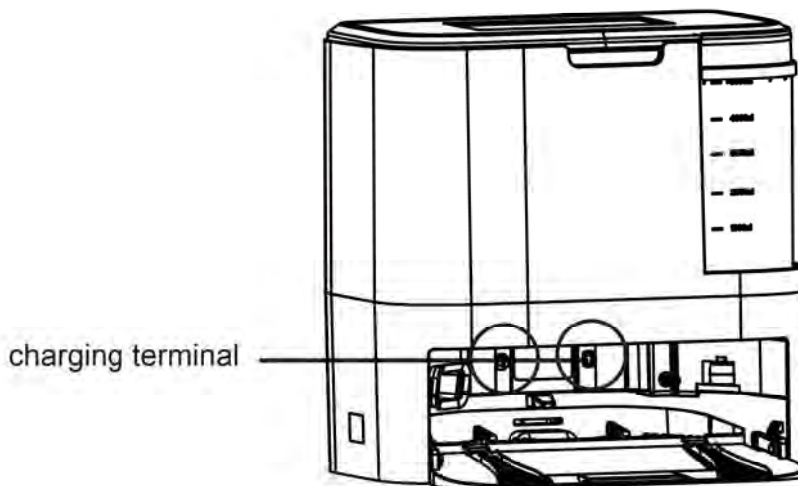


# Product Maintenance

## 5.6 Maintenance of other components



Occasionally use a cleaning tool or a dry soft cloth to gently wipe the machine chassis sensor window and carpet detection window, as well as the charging electrode sheet on the back of the machine.



Clean the terminals of the charging stand with a dry cleaning tool or a soft cloth after power off

## Common malfunctions

### 6.1 Fault description

#### Host failure description

Fault conditions	Possible Causes	solution
The host cannot be charged	The host and the charging pole of the base station are not in full contact.	Make sure that the main unit is fully connected to the charging pole piece of the charging base station.
	The power of the charging base station is turned off, and the power switch of the main unit is turned on, resulting in power consumption.	When the main unit is not performing work, it is recommended to keep it in a charging state, so as to better carry out the next work.
Stuck when host works	The main unit is hindered by entanglement of scattered wires on the ground, drooping curtains or carpet fringes.	The host will try various methods to get out of trouble independently. If it fails to get out of trouble, it is recommended to help manually.
The cleaning is not completed, the host returns to charge	The main unit can sense the lack of power when it is working, and it will automatically return to charging.	Charge the host.
	Wooden floors, ceramic tiles and other flat ground hosts work at different speeds and for different periods of time.	The working time of the host varies with the complexity of the room, the amount of garbage and the cleaning mode.
The host does not automatically clean according to the scheduled time	The host power switch is not turned on, and the host cannot work by itself according to the agreed time when it is turned off.	Turn on the host power switch.
	The power of the main unit is low.	When the host is in standby, it should be kept charging on the charging stand to ensure that it has sufficient power to work at any time.
	The host components are clogged and entangled with garbage.	Turn off the power, clean the dust box and turn the bottom of the host up. Clean each part separately.
When the main machine is working, there are phenomena such as missed scanning, chaotic routes, deviation, and irregular and untidy display of the cleaning Figure on the APP side.	It may be that when the main engine climbs small steps, thresholds, and door bars, the driving wheel and the ground slip, which affects the main engine's judgment on the working environment of the whole house.	It is recommended to close the door to the area and clean the area separately. The main unit has the function of independently identifying single rooms, and it will return to the starting point after cleaning, so please feel free to use it.
	Work on freshly waxed, polished floors or smooth surface tiles, resulting in less friction between the drive wheels and the floor	It is recommended that you wait for the floor wax to dry before cleaning.
	Wires, slippers and other objects placed on the ground affect the normal operation of the host	Before the host works, please sort out the scattered wires, slippers and other objects on the ground to reduce the scattered items on the ground as much as possible.

## Common malfunctions

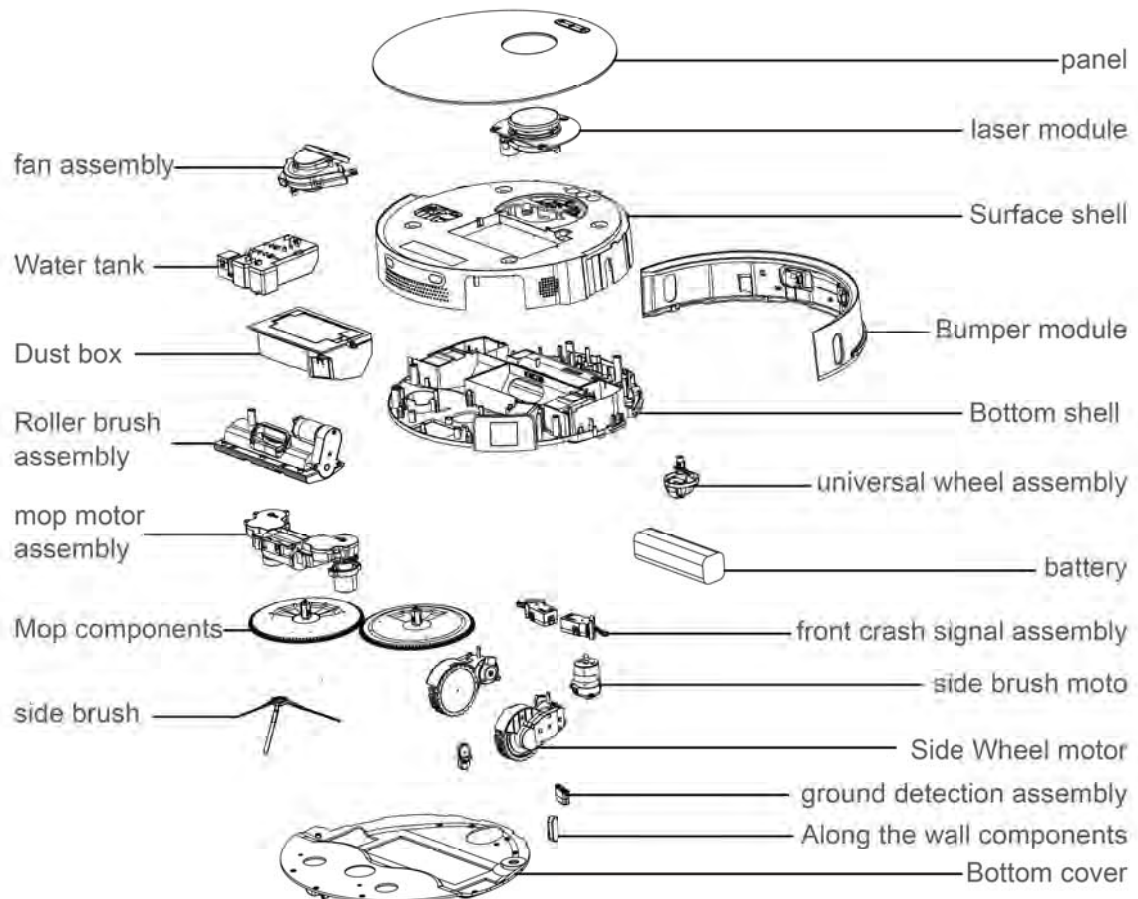
### Base Station Fault Description

Fault conditions	Possible Causes	solution
Unable to fill the sweeper with water	Clean water tank is not installed.	Install the clean water tank correctly.
	Clean water tank lacks clean water.	Add clean water to the clean water tank.
No water was added to the tray when the base station was self-cleaning	Clean water tank is not installed.	Install the clean water tank correctly.
	Clean water tank lacks clean water.	Add clean water to the clean water tank.
	The tray is full of dirty water.	Click the self-cleaning button on the base station body to switch to the water suction mode. After the water in the tray is sucked away, the self-cleaning will start again.
	The tray is not installed correctly.	Check whether the buckles on the left and right ends of the tray are in place.
Tray water overflow	The base station tray was not installed properly, causing water leaks.	Install the base station tray correctly.
	The tray full sensor is clogged with dirt.	Remove the tray and wash the tray manually.
Unable to suck up tray sewage	Recovery tank not installed properly.	Correctly install the recovery tank.
	Recovery tank not fastened properly.	Snap the waste water tank tight and fit properly into place.
	The recovery tank is full.	Pour out the waste water from the waste water tank.
	The suction port of the tray is blocked by dirt.	Clean the filter cover of the water suction port in time.
Unable to collect dust normally	The dust bag is not installed correctly.	Install the dust bag correctly.
	The dust bag is full of trash.	Replace with a new dust bag.
	The dust cover is not closed when collecting dust.	The dust collection cover should be closed when collecting dust.
Unable to charge the host	Base station charging metal terminal contacts are dirty.	After power off, clean the charging metal terminal contacts.



# Common malfunctions

## 6.2 Replaceable modules



### scope of application

This product is suitable for the cleaning of family houses, hotel rooms, and small offices. For all kinds of short and long carpets (carpet hair less than 1.5 cm), wooden floors, hard floors and ceramic tiles have a good cleaning effect.



#### FCC compliance statement

This device complies with Part 15 of the FCC Rules. Operation is subject to the following two conditions: (1) this device may not cause harmful interference, and (2) this device must accept any interference received, including interference that may cause undesired operation.

changes or modifications not expressly approved by the party responsible for compliance could void the user's authority to operate the equipment.

This equipment has been tested and found to comply with the limits for a Class B digital device, pursuant to Part 15 of the FCC Rules. These limits are designed to provide reasonable protection against harmful interference in a residential installation. This equipment generates, uses and can radiate radio frequency energy and, if not installed and used in accordance with the instructions, may cause harmful interference to radio communications. However, there is no guarantee that interference will not occur in a particular installation.

If this equipment does cause harmful interference to radio or television reception, which can be determined by turning the equipment off and on, the user is encouraged to try to correct the interference by one or more of the following measures:

- Reorient or relocate the receiving antenna.
- Increase the separation between the equipment and receiver.
- Connect the equipment into an outlet on a circuit different from that to which the receiver is connected.
- Consult the dealer or an experienced radio/TV technician for help.

#### FCC Radiation Exposure statement

This equipment complies with FCC radiation exposure limits set forth for an uncontrolled environment. This equipment should be installed and operated with minimum distance 20cm between the radiator and your body. This transmitter must not be co-located or operating in conjunction with any other antenna or transmitter.

Hereby, [MANUFACTURER] declares that the radio equipment type [Model No.] is in compliance with Directive 2014/53/EU. The full text of the EU declaration of conformity is available at the following internet address: [www.http://xxxxx](http://xxxxx)

This equipment complies with radiation exposure limits, it should be installed and operated with minimum distance 20cm between the radiator and your body. This transmitter must not be co-located or operating in conjunction with any other antenna or transmitter.

