



ROBOTIC VACUUM CLEANER

USER MANUAL

(Before using this product, please read the safety instructions below and follow all the routine safety precautions)

FCC warning:

Note: This equipment has been tested and found to comply with the limits for a Class B digital device, pursuant to part 15 of the FCC Rules. These limits are designed to provide reasonable protection against harmful interference in a residential installation. This equipment generates, uses and can radiate radio frequency energy and, if not installed and used in accordance with the instructions, may cause harmful interference to radio communications. However, there is no guarantee that interference will not occur in a particular installation. If this equipment does cause harmful interference to radio or television reception, which can be determined by turning the equipment off and on, the user is encouraged to try to correct the interference by one or more of the following measures:

- Reorient or relocate the receiving antenna.
- Increase the separation between the equipment and receiver.
- Connect the equipment into an outlet on a circuit different from that to which the receiver is connected.
- Consult the dealer or an experienced radio/TV technician for help.

Modification: Any changes or modifications not expressly approved by the grantee of this device could void the user's authority to operate the device.

RF radiation exposure statement

The Robotic Vacuum Cleaner complies with FCC RF radiation exposure limits set forth for an uncontrolled

environment. Caution: To maintain the compliance with the FCC's

RF exposure guideline, install the Robotic Vacuum Cleaner at least 7.9" (20 cm) from ALL persons. The transmitter of this device must not be co-located or operating in conjunction with any other antenna or transmitter.

Content

1. Wi-Fi Setup Instructions

2. Safety Instructions

3. Product Components

3.1 Name of Parts

3.2 Products Specifications

3.3 Product feature

4. Instructions for Use

4.1 Attention

4.2 Remote Controller Instructions

4.3 Operating Instructions

5. Product Maintenance

5.1 Side Brush Cleaning and Replacement

5.2 Cleaning of Dust Box and Filter

5.3 Maintenance of Rolling Brush Components

5.4 Maintenance of Other Components

6. Common Faults

6.1 Common Faults

6.2 Replaceable Modules

Wi-Fi Setup Instructions

Wi-Fi Setup Instructions

1

Scan the QR code in Figure 1 to download and install "WeBack" APP, or download and install from other APP stores.



IOS



Google Play

Figure 1

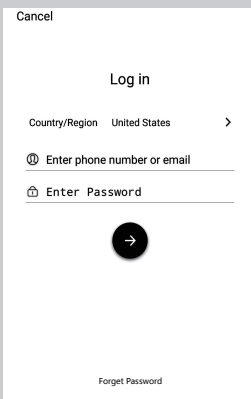


Figure 2

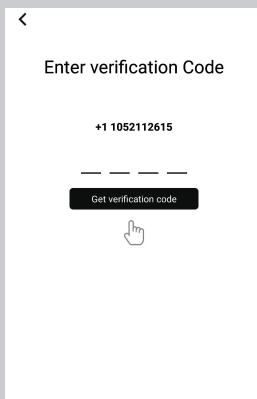



Figure 3

2

Open App, directly log in if you have a "WeBack" account; if not, you can select "New User"

to sign up, and click on "  " after login.

3

Scan the QR code on the device or the QR code on the right side, or manual input the QR code/Barcode to confirm the device model, turn on the "Power switch" by following APP instructions and go to the next step.



Figure 4

To perfect the products, we keep the right of updating the APP and the software. The final interface is subject to the actual products, thank you.

Wi-Fi Setup Instructions

Wi-Fi Setup Instructions

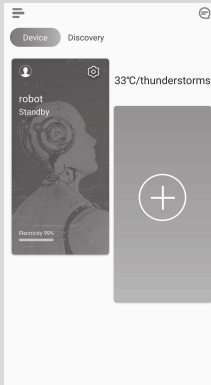


Figure 5

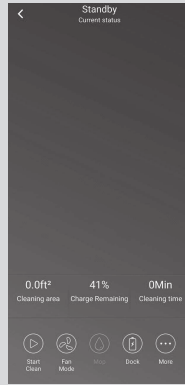


Figure 6

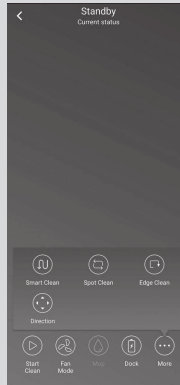



Figure 7

When you see the APP enter interface Figure 5, you can start using APP to control your ROBOT. Tap the device to enter the main interface of APP (Figure 6), from this interface you can choose different cleaning modes, also to check the cleaning process/status. Tap the "more" Key (Figure 6) to enter the multi-functional panel (Figure 7).

4

5

On the device management page, click the button "  " (Figure 8), in the upper right corner of the device to enter the settings page (Figure 9).

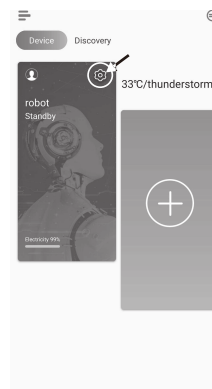


Figure 8

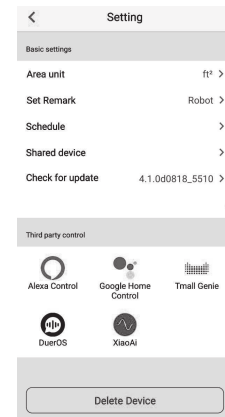


Figure 9

Safety Instruction

Before using this product, please read the safety instructions below and follow all the routine safety precautions.

Please read the instructions carefully and keep them for future reference.

Any operation that does not conform to the instructions may cause damage to the product.

Safety considerations of Main Body and Accessories

Warning

01. Do not disassemble, repair or refit the product without authorization; otherwise it may damage the product or pose a hazard.
02. Do not use the product in an environment with risk of fire or explosion.
03. This product can only use the original power adapter; otherwise the product may be damaged or catch on fire.
04. Do not stand or sit on this product; doing so could damage the product or cause it to fall over.
05. When the metal part of the power plug is dusty, please wipe it with a dry cloth.
06. The power adapter is applied to a 100-240V AC voltage. Please plug into the socket properly and keep away from children.
07. Do not wash or soak the main body and electronic accessories in the water; otherwise the product may be damaged by a short circuit.
08. Do not damage, load weight on, heat, pull, or bend it.
09. During cleaning, please pay attention to the safety of toddlers and elders at home to avoid injury. (Please pay special attention to toddlers).
10. This product is for home use. Please do not use it outdoors.
11. Do not allow metal and conductive materials to come in contact with the battery; doing so may cause a short circuit.

Attentions

01. Do not touch the product with wet hands; doing so may cause an electric shock.
02. Please do not place the product in places where it could easily fall, such as tables, chairs, high platforms in room, etc.
03. The product has a sophisticated design and should be protected from long-term exposure to sunlight.
04. Please do not use the product in humid environments, such as bath-rooms.
05. Please do not place the product near cigarette butts, lighters or other open fires.
06. Please clean the product after finishing charging.
07. Please turn off the power switch on the side of the robot when the product is out of service for a long time.
08. Please check carefully to see if the power adapter is connected to the socket prior to use, to avoid damage to the robot.

Safety Instruction

09. Before using the product, please remove all vulnerable items on the floor, such as glass, lamps, and items such as wires and curtains that may entangle with the side brush and suction passages.
10. When the dust box is full, please empty it before using again.
11. Please do not use the robot to clean the construction waste.
12. The operating temperature of the product ranges from 0 degree Celsius to 40 degrees Celsius; please do not use it in a high temperature environment.
13. Before the product is scrapped, please remove the battery from the robot. When you remove the battery, please ensure that the product is not connected to a power supply. Please recycle the battery safety or environmental protection.

Safety Considerations for Rechargeable Battery

⚠ **Danger**

01. Always use a dedicated battery adapter to avoid leakage, heating or rupture.
02. Do not short-circuit the battery or remove the battery; doing so may cause leakage, heating or rupture.
03. Do not transport or preserve with necklaces, hairpins, and other metal objects; doing so may lead to short circuit, resulting in leakage, heating or rupture.
04. Do not burn or heat the battery; doing so may cause leakage, heating or rupture.

⚠ **Attention**

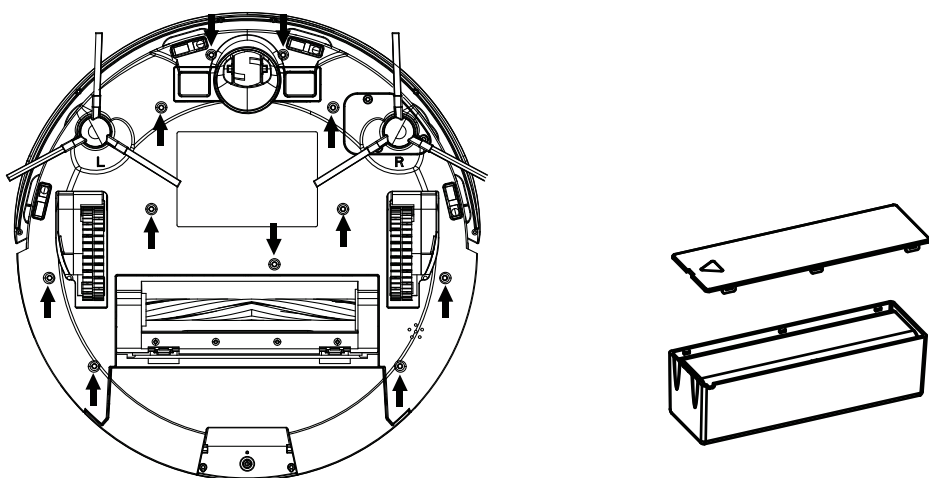
01. If abnormal overheating is discovered during charging, stop using it immediately to avoid leakage, heating or rupture.
02. To prolong the service life of the battery, please remove the battery and place it in a cool, dry environment if it is out of service for a long time; this will avoid leakage, heating or rupture.
03. Do not soak in water or let it come into contact with any liquid; otherwise it may cause leakage, heating and rupture.
04. Be sure to stop using it immediately in case of any exception (e.g. discoloration or deformation), to avoid leakage, heating and rupture.
05. Always use tape to insulate the battery's electrode when recycling or disposing of it.
06. If the battery leaks, wipe it clean with a dry cloth, recycle it in time, or discard it.
07. Put the recycled batteries in the recycling bins set up by the community, hotels, schools, large shopping malls, supermarkets, etc or the hazardous trash can collected by professional recycling agencies. Discarded product batteries must be removed and discarded in accordance with local laws and regulations.

Safety Instruction

⚠ Warning

01. When skin or clothing is exposed to the battery electrolyte, immediately wash with clean water to avoid inflammation of skin, etc.
02. Do not use the rechargeable battery on other devices. This battery is only suitable for this robot.
03. If the battery's outer box is found to be deformed and expanded, or leakage of electrolytes is found, do not charge or continue to use to avoid danger.
04. Do not throw or inflict a strong impact on the battery; doing so may cause leakage, heating and rupture.
05. Do not disassemble the battery pack; doing so may cause battery rupture and electrolyte outflow, leading to fire, explosion and other dangers.

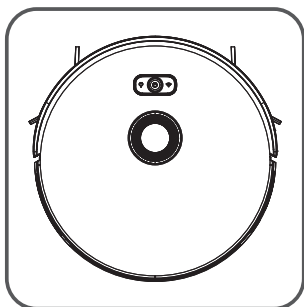
How to remove the battery



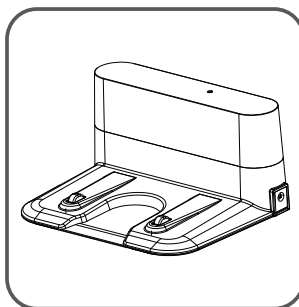
01. Use screwdriver to take out 11 screws from bottom cover.
02. Take out the bottom cover.
03. Unplug the wire, and take out the battery box component.
04. Remove the battery cover, and take out the battery.

Product Components

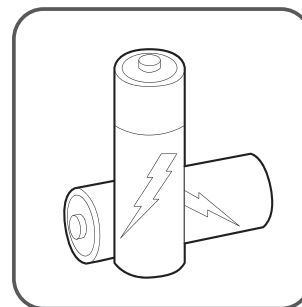
3.1 Name of Parts



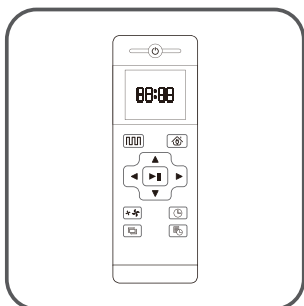
Main Body



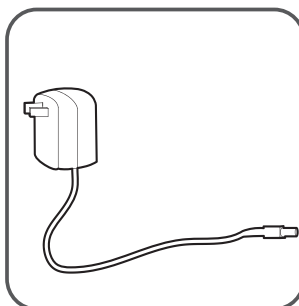
Charging Base



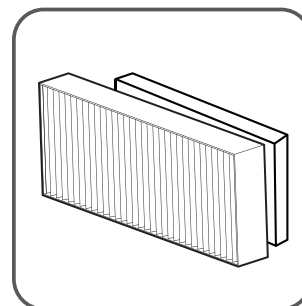
2XAAA batteries



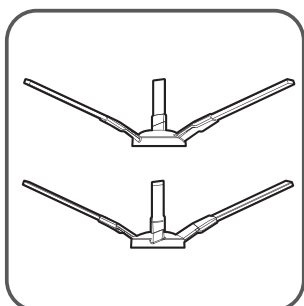
Remote Controller



Power Adapter



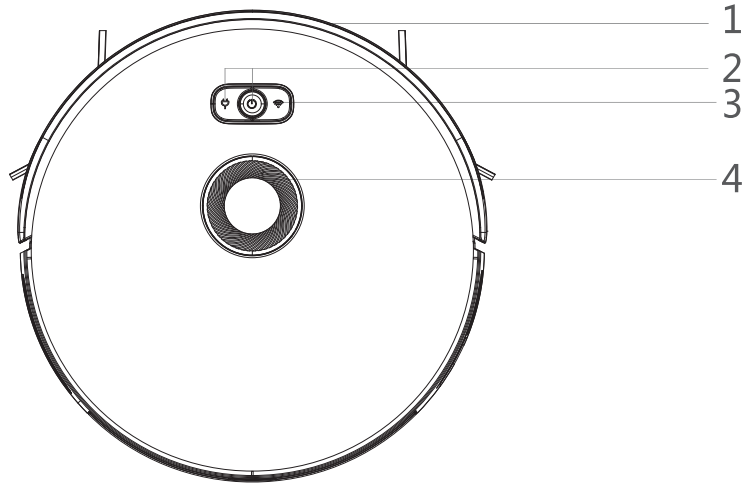
High-efficient Filter



Side Brushes

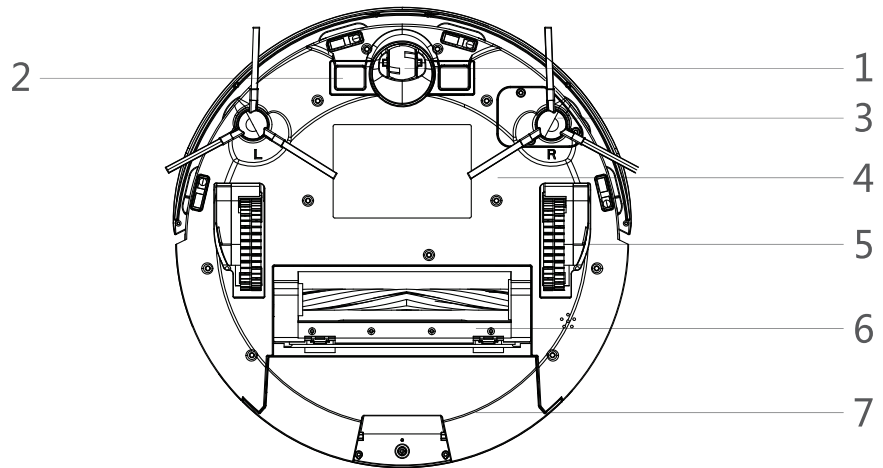
Accessories of some models may be slightly different and they are subject to the actual received products.

Product Components



Main Body

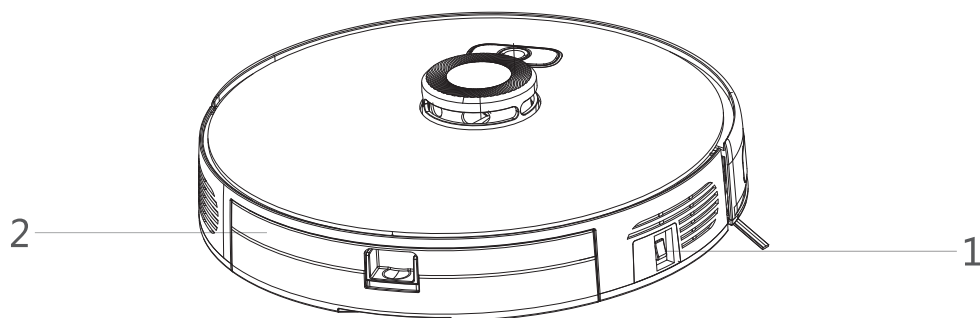
- 1.Bumper 2.Control Button 3.WIFI Indicator 4.Laser Components



Main Body

- 1.Universal Wheel 2.Electrode Slice 3.Side Brush 4. Battery Cover
5. Side Wheel 6.Suction Port 7.Dust box

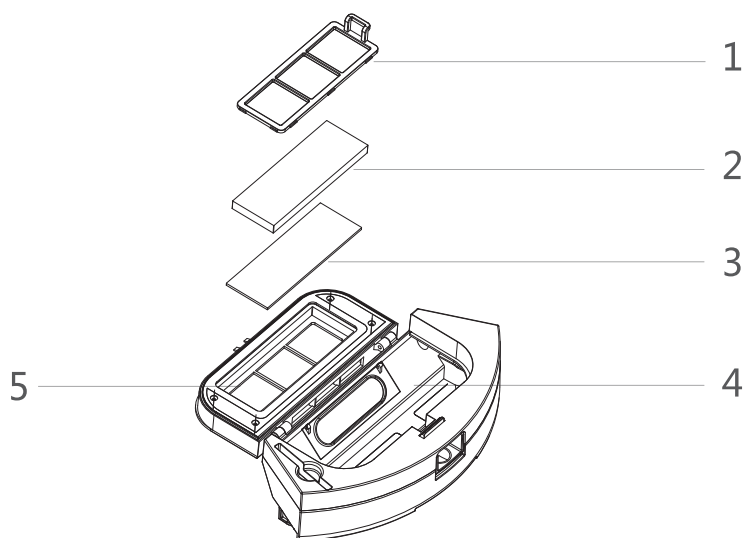
Product Components



Main Body

1.Power Switch

2.Dust box/Water tank release botton



Dust Box

1. Pre-filter

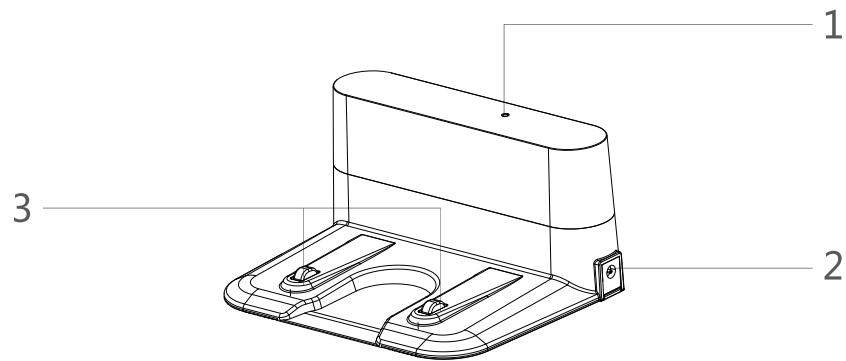
2.High-efficient filter

3.Filter sponge

4.Dust Box

5. Dust box cover

Product Components



Charging base

1. Charging indicator

2. DC power jack

3. Charging terminal

Product Components

3.2 Product Specification

Structure

Diameter of the main body	345mm
Thickness of the main body	102mm
Net weigh of the main body	3.5kg

Electronic

Voltage	14.4V
Battery capacity	5200mAh
Main body button type	LED button

Accessory

Dust box capacity	450ml
-------------------	-------

Process Parameters

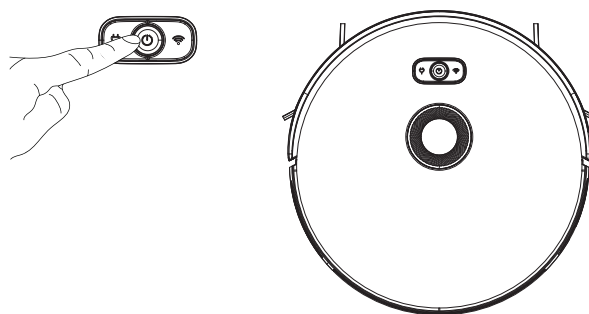
Charging Type	Manual/Automatic
Operating Duration	180~200min
Charging duration	240-360min

Product Components

3.3 Product Characteristics

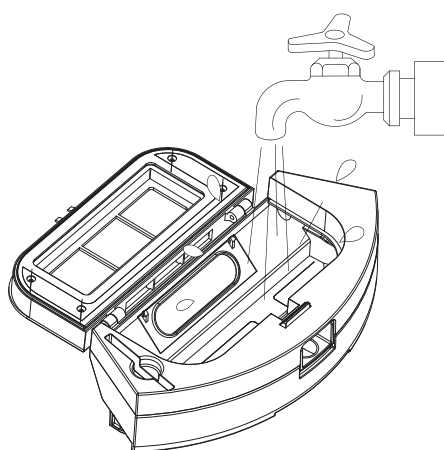
Multiple smart cleaning modes

4 cleaning modes are designed to suit different needs, which can be switched by the remote controller and App, greatly improves the cleaning efficiency and saves 30% of the power.



Humanized design

It is simple to operate, pressing the Control Button to start cleaning. Follow the Voice Prompt and let the robot start working for you.

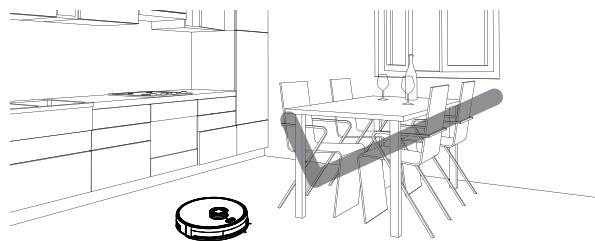
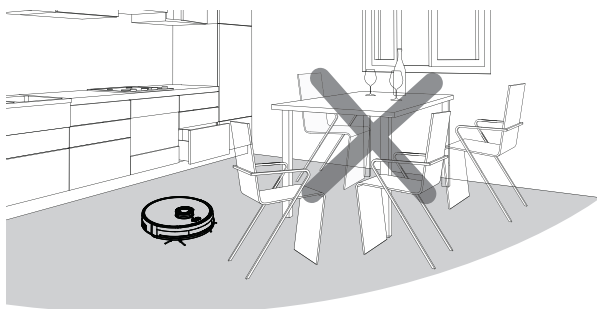


Dust box can be washed with water

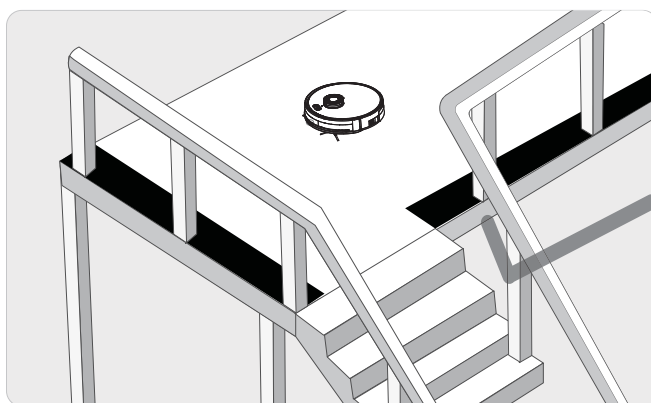
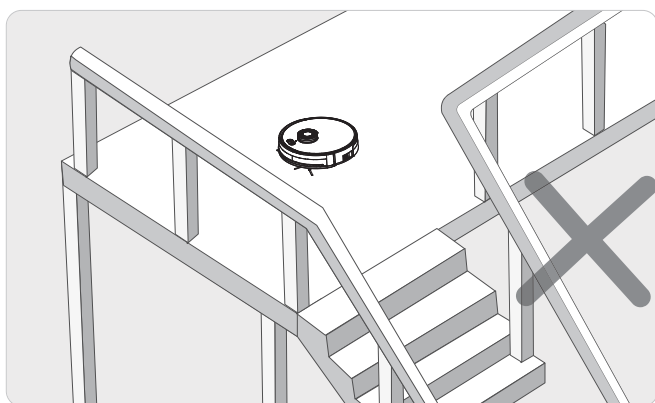
The dust box and the pre-filter can be directly flushed with water without too much labor, which can avoid secondary pollution caused by dust flying!

Instructions for Use

4.1 Attention

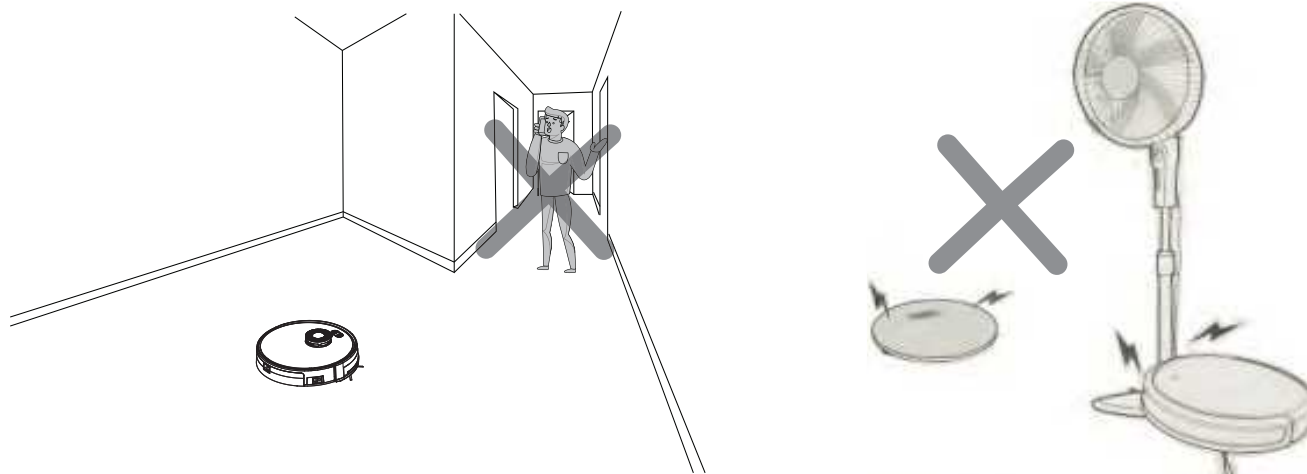


When it is working, please help to remove the unfriendly obstacles. Put the furniture and home appliances such as tables and chairs in the house neatly, the robot will clean up smoothly to give you a clean new home.

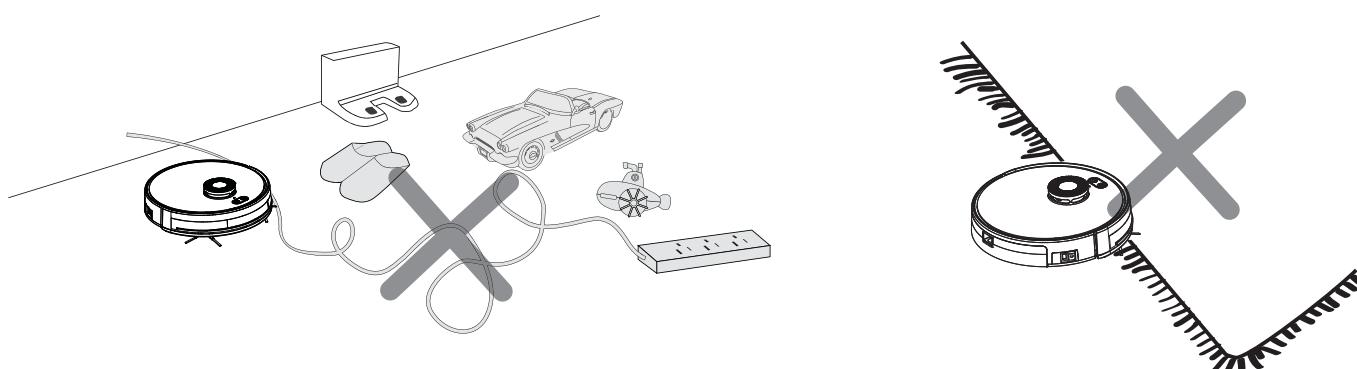


If the robot works at the stairway, the edge of the step, or the entrance to the narrow area among the furniture, etc, please place a fence to ensure it is safe and running smoothly.

Instructions for Use



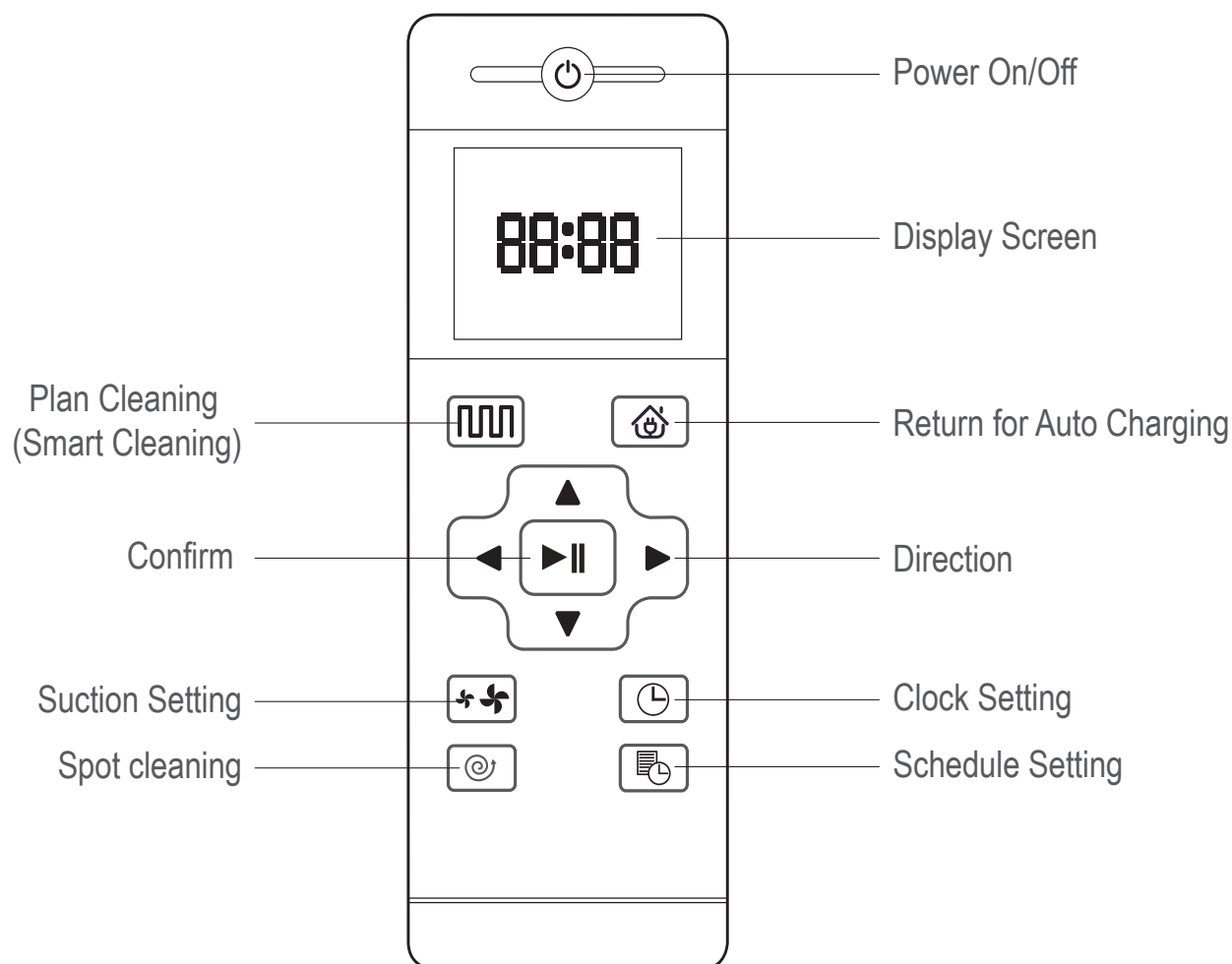
Please do not stand in narrow places such as thresholds and aisles to avoid missing sweeping. When the robot is working, please ensure that the object with the thickness less than 1.8 cm is not placed in the cleaning area to prevent the machine from climbing and jamming.



Please pay attention to remove sundries, such as the power cords, toys, etc, which are scattered on the ground may catch or entangle the Robot.
Do not use the mopping function on the carpet! If there is a carpet in the house, please roll up the edge of the carpet in advance.

Instructions for Use

4.2 Remote controller instruction



When the robot is in the vicinity of the charging base and the virtual protection wall, it may not be able to distinguish the instructions issued by the remote controller. if you do not use the remote controller for a long time, please take out the battery.

Plan Cleaning button

No matter what mode the robot is in, this button will bring it to the plan cleaning mode.

Return for Auto Charging

Pressing this button to shift the mode as recharging, and the logo will be displayed on the screen of the remote controller.

Forward /+

At the standby mode, press this button to continue moving forwards, and release it to return to standby mode. At the Schedule setting mode, press this button to increase the number.

Instructions for Use

Back Button /-

Press this button and robot will rotate 180 degrees in situ.

In the modes of Schedule Setting and Clock Setting, press this button will decrease the number.

Left Arrow

At the standby mode, press this button to continue turning left, and release it to return to standby mode. At the Schedule setting mode, press this button to switch from minute to hour.

Right Arrow

At the standby mode, press this button to continue turning right, and release it to return to standby mode. At the Schedule setting mode, press this button to switch from hour to minute.

Confirm button

During operation, press this button to stop the robot, and it is still working at the pause.

In the Schedule setting mode or Clock setting mode, this button can save all settings.




Suction Setting button


At any cleaning mode, press this button to adjust the suction power. There are Normal suction and Powerful Suction for your option.

Clock Setting button

Press this button to enter the Clock Setting mode and press the Confirm button to exit.

Schedule Setting button

At the standby mode, press this button to enter the Schedule Setting mode, and the display flashes icon . At the Schedule Setting mode, press this button to save the data and exit the Schedule Setting mode, and the display will always display the icon . At the Schedule setting mode, press this button for 3S to cancel the Schedule Setting function, and the displayed icon  will disappear.

 Press this button to enter spot cleaning, the robot will have the voice indication and start to clean a specific spot of your home according to a spiral route:

Taking its current position as the center of the circle and cleaning counterclockwise, the radius gradually increases. After reaching the maximum radius of 1.5M, the robot will rotate 180 ° and gradually decrease the radius until returning to its original position.

While encountering obstacles during cleaning, the robot will rotate 180 °, then continue to clean in the opposite direction according to the spiral route.

Please note don't use this function in the corner of your home to avoid the robot being stuck. Or else the robot will have alarm when stuck in a corner, but it can only automatically stop cleaning after 2.6min.

 88:88

Display preset time

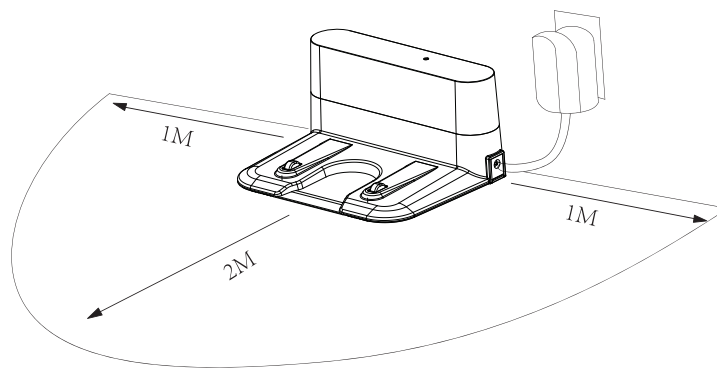
 88:88

Display clock time

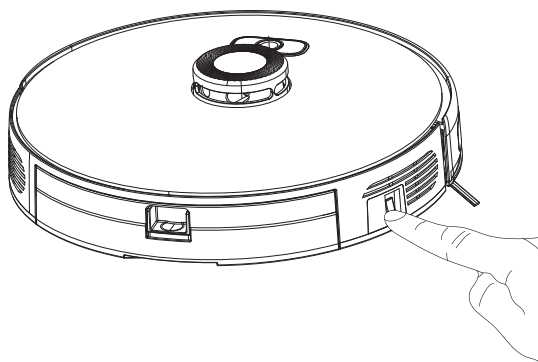
Instructions for Use

4.3 Operating Instructions

Placement of the Charging Base



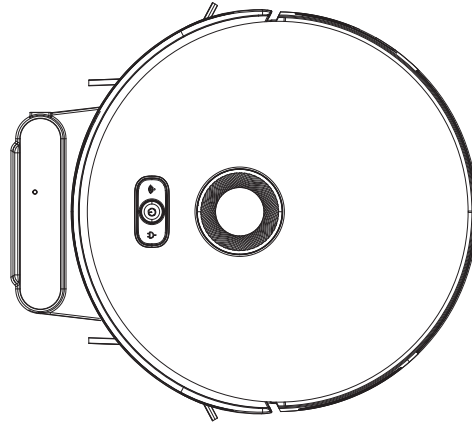
Place the charging base against the wall, leaving the safety distance left and right each 1 meter and front 2 meters. Warning: don't put it close to the mirror, avoid direct sunlight.



Switch on the robot, then the Control button will turn on the white light, and enter the Selected mode. if the Robot is not activated within 10 minutes, the robot will enter Sleep mode.

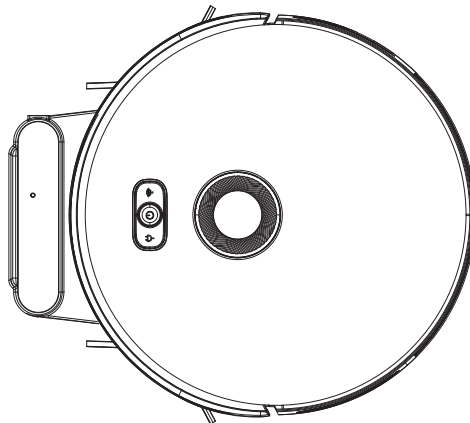
Instructions for Use

Charging modes



Press Return for Auto charging button on the remote controller or Press Recharge icon on App to auto dock the Robot with the charging base.

Automatic Recharge



This product conforms to European ERP energy consumption standard

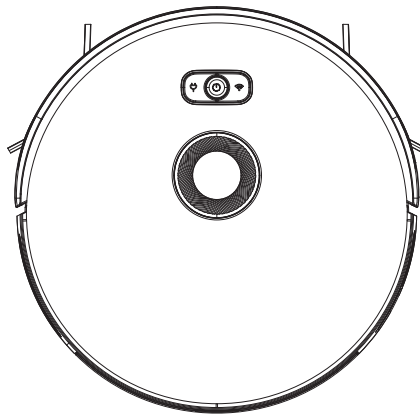
When Cleaning is completed or the battery is too low, the robot will automatically start finding the charging base to charge itself.
Pls keep the charging base in power, otherwise the machine will not be able to find the charging base.

Instructions for Use


Charging instruction

01. For the very first operation, please let the robot run out of power.
02. Please charge the robot for 12 hours for the first time of operation. When the charge is done, the Control button light turns off.
03. If the robot is out of service for a long time, please turn off the power switch.
04. Please charge the robot as soon as possible after the battery is used up.
05. The product can only use the power adapter and charger provided by the factory.
06. The battery should be repaired and replaced by the after-sales service center.

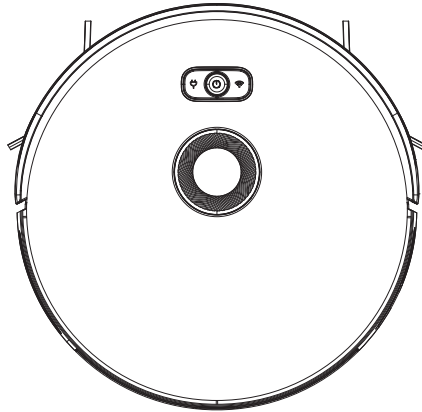
Switching Modes



Power on

01. Make sure the power switch on the side of the robot is turned on.
02. Press the Control button “” or the Cleaning mode on the remote controller to run the robot.

Instructions for Use



Pause

The pause function is to switch the robot from the operating mode to the selected mode, and the robot can be paused by the following operations:

01. Press the “ ⏻ ” button on the robot to pause the robot.
02. Press the power on/off button on the remote controller to pause the robot.

Notice: After the machine is paused, the machine can be re-operated.

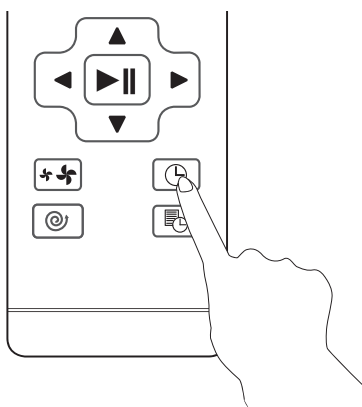
Sleep

Sleep mode means that the robot is stopped and the indicator light is off. If the Robot is not active within 10 minutes, the robot will enter Sleep mode automatically.

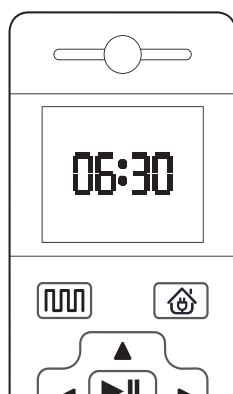
Note: If the robot is out of service for a long time, please turn off the power switch.

Instructions for Use

Schedule Cleaning



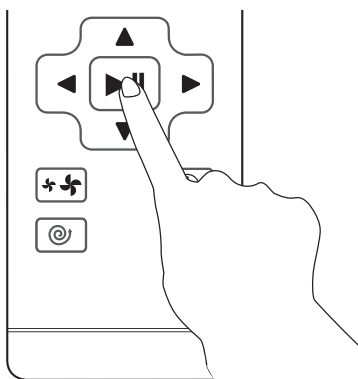
You can set the current local time on your robot by pressing the Clock Setting



- ☆ Once the power switch is turned off, all schedule will be canceled.
- ☆ Once the schedule setting is succeeded, the robot will start working at the scheduled time everyday

Press the "Schedule Setting" button to set the scheduled cleaning time for the robot. (e.g. Setting 6:30 am to the robot, the robot will start cleaning at 6:30am every day at the standby mode.)

Instructions for Use



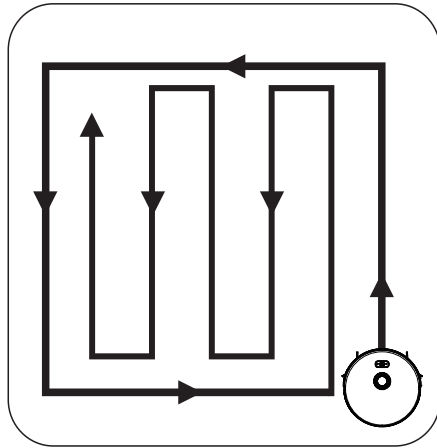
☆ At the Schedule Setting mode, follow the voice prompts to confirm all your operations.

1. Press the Schedule Setting button to enter the Schedule Setting mode and set the schedule on the remote controller or APP.
2. If you need cancel the schedule, just press the Schedule Setting button for 3 seconds.

Instructions for Use

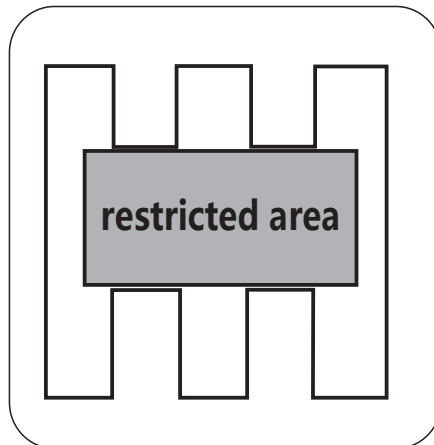
Cleaning Modes

Plan Cleaning
(S shape Cleaning)



The robot will perform the plan will clean along the cleaning in S shape according to the room environment.

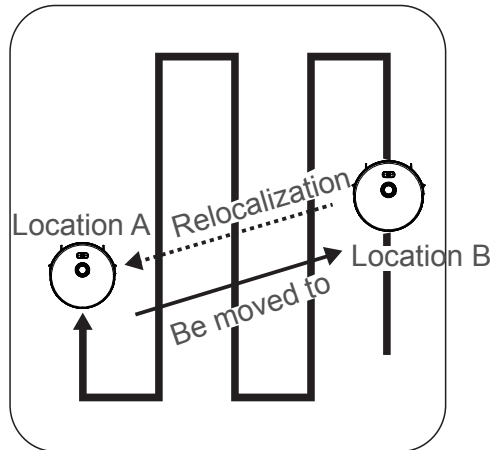
Setting Forbidden Area



Only available by App control, After setting the forbidden area, the robot will not enter the forbidden area of the room.

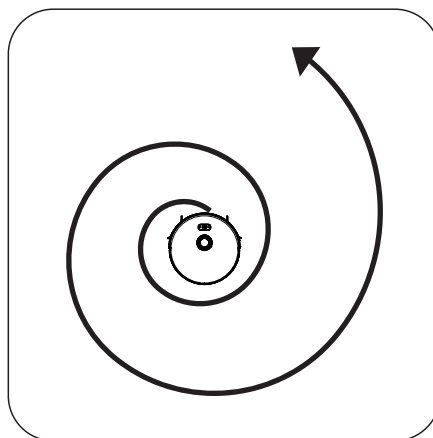
Instructions for Use

Relocation by LDS



During cleaning, when pause the robot and take it to a new area ,then restart it to resume cleaning, the robot will begin relocalization and move to its previous place.

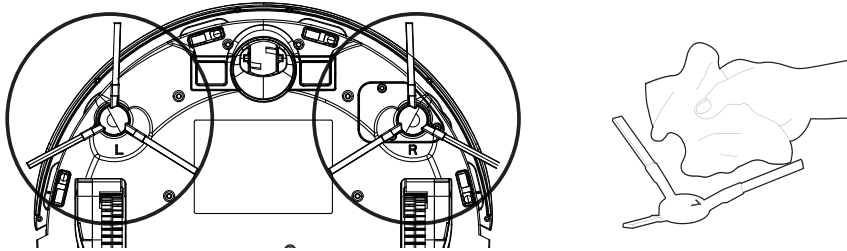
Spot cleaning



The robot will take its current position as the center and clean a specific spot of your home according to a spiral route.

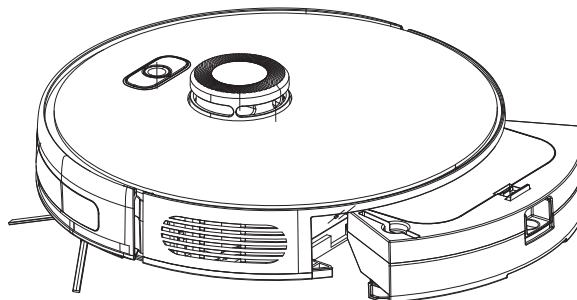
Product Maintenance

5.1 Side brush cleaning and replacement



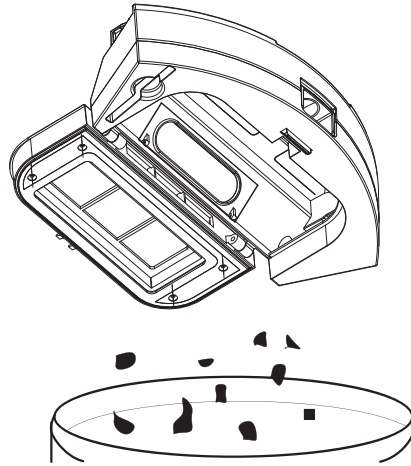
Check the side brush condition from time to time to see if it has been damaged or wrapped with foreign objects. Clean the side brush with a cleaning tool or a rag. When the side brush is damaged and cannot be used, please replace it in time, L and R side brush should be corresponding.

5.2 Dust box and filter cleaning

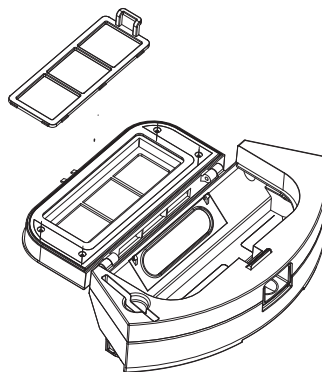


Press the dust box release button to remove the dust box

Product Maintenance

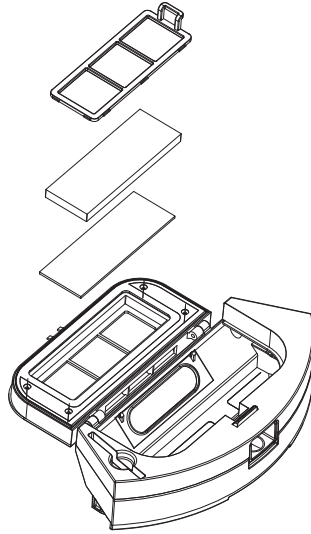


Open dust bin cover, and dump garbage

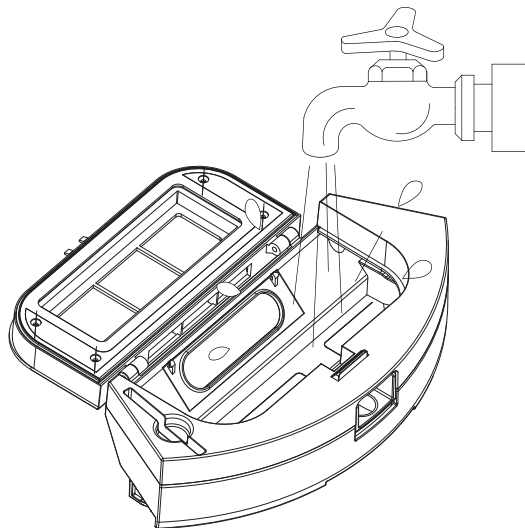


Remove the primary filter

Product Maintenance

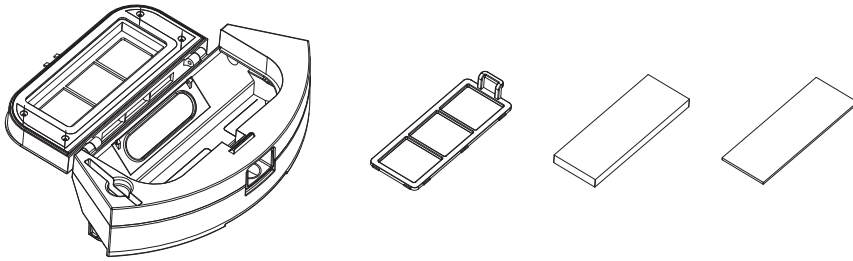


Open the high-efficient filter cover, and remove the high-efficient filter and filter sponge. It is not recommended to wash the high-efficient filter with water. Please put off the debris carefully.

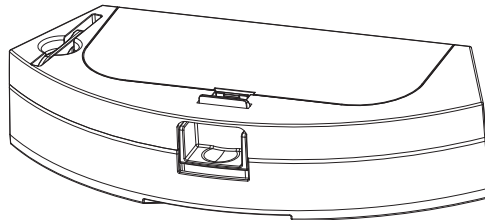


Wash the dust box and pre-filter.

Product Maintenance

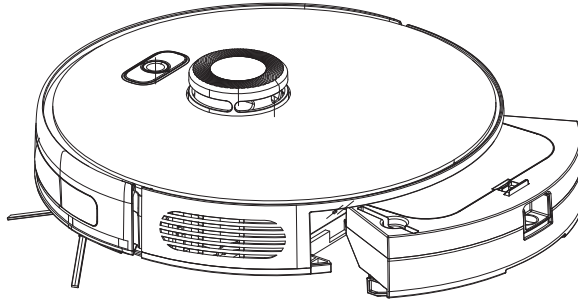


1. Dry the dust box and filter components. Keep them dry to ensure a longer service.
2. After the pre-filter is used for 15-30 days, it should be washed once.
3. The maximum service life of the high-efficient filter is 3 months.



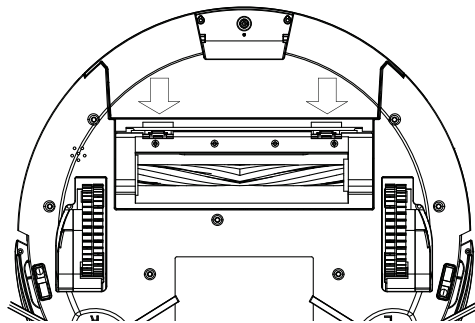
1. Reinstall the pre-filter and high-efficient filter in the dust box.
2. Before installing the filter, make sure that the high-efficient filter and the pre-filter are dry.
3. Do not expose the high-efficient filter and the pre-filter to sunlight.

Product Maintenance



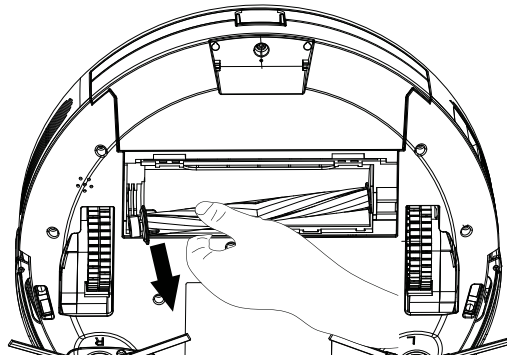
Cover the dust box and fix it into the main body.

5.3 Maintenance of Rolling Brush Components



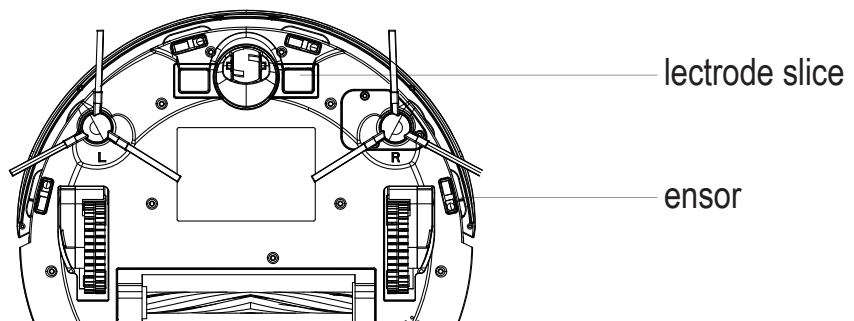
Open the rolling brush components

Product Maintenance



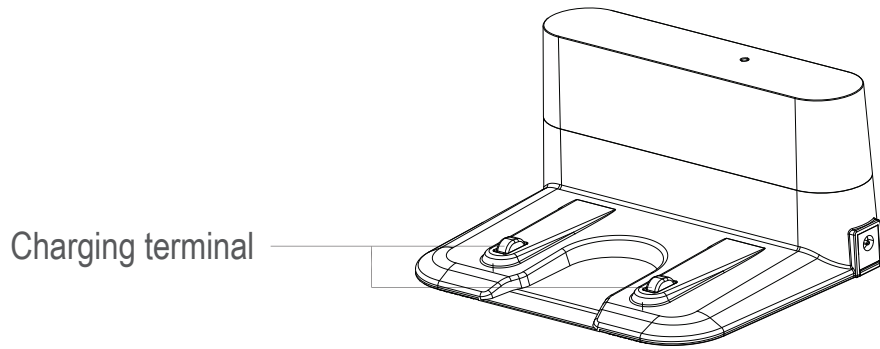
Remove the rolling brush and clean off all debris and hair.

5.4 Maintenance of Other Components



Use the cleaning tools or a dry soft cloth to periodically clean the electrode slice of robot chassis and the sensor window.

Product Maintenance



Use a cleaning tool or soft cloth to clean the charging terminal

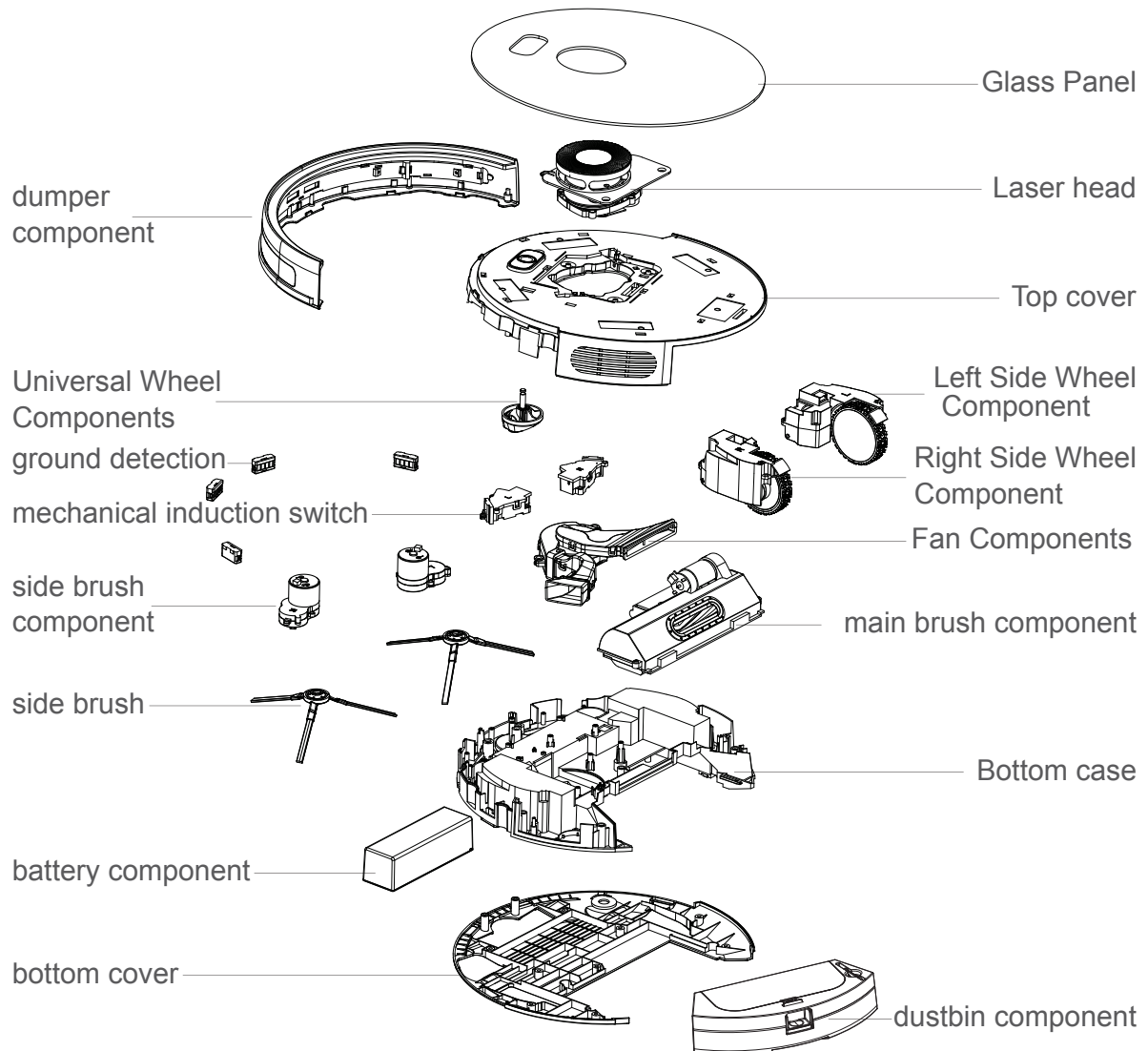
Common Faults

6.1 Faults Description

Faults	Possible Reasons	Solutions
The robot can not be charged.	The electrodes between the main body and the charging base are not contacted properly.	Make sure that the electrodes between the main body and the charging base are properly contacted.
	The charging base is switched off while the robot is switched on, which leads to the loss of power.	Keep charging the robot when it is not working to better prepare for next cleaning assignment.
The robot is stuck during work.	The robot may be stuck by wires/cables on the ground, hanging curtains or obstacles around the carpets.	The robot will try to get itself out automatically. However, please help it manually if it failed.
The robot goes back to recharge without finishing the cleaning work.	The robot detects that the power may be not enough and automatically goes back to recharge.	Charge the robot.
	The robot works at different speeds on different floor types. For example, it works longer on the wood floors than on carpets.	The length of working time varies because of the complexities of room environments, the amount of garbage and different cleaning modes.
The robot does not perform cleaning work automatically as scheduled	The robot is not switched on and the robot can not perform cleaning work as scheduled when it is powered off.	Turn on the robot.
	The power level of the robot is too low to work.	Keep charging the robot when it is not working to better prepare for next cleaning assignment.
	The robot is stuck or twined by obstacles.	Turn off the robot and clean the dust box. Then turn over the robot to clean its components, such as wheels and side brushes.
Remote control malfunctions (effective range is 5 m)	The remote controller is short of or out of power.	Change the batteries and install the batteries correctly.
	The robot is short of or out of power.	Make sure that the robot is switched on with enough power for operation..
	The infrared ray is blocked because the infrared emitter on the remote controller or the infrared receiver in the robot is contaminated.	Wipe the infrared emitter on the remote controller or the infrared receiver on the robot with a clean cotton cloth.
	Interference emitted by other devices that exist nearby.	Avoid using the remote controller near other infrared devices.
When the robot is working, there is a missed sweep, the route is chaotic, the deviation is reversed, and the APP side cleaning map shows irregularities and is not neat.	The drive wheel and the ground may slip due to the robot climbing small steps, thresholds and door bars, thus affecting the its judgment on the working environment of the whole house.	It is recommended to close the door in the area and clean the area separately. The robot has the function of self-identification single room. It will return to the starting.
	Work on a waxed, polished floor or smooth floortile, resulting in reduced friction between the drive wheel and the ground.	It is recommended that you clean the floor after the wax is air-dried.
	The wires, slippers, etc. placed on the ground affect the normal operation of the robot.	Before the machine is working, please arrange the scattered wires, slippers and other objects on the ground to minimize the scattered objects on the ground.

Common Faults

6.2 Replaceable Modules



Application:

The product is suitable for cleaning house, hotel rooms, and small offices and provides good cleaning for various floors, such as wooden floor, hard floor, tile floor, and short-pile carpets (short-pile should be shorter than 1.5cm), etc.