

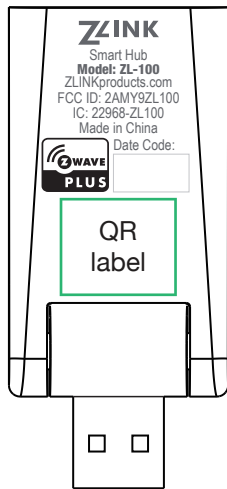
USB Gateway Silkscreen Artwork

Material: Plastic

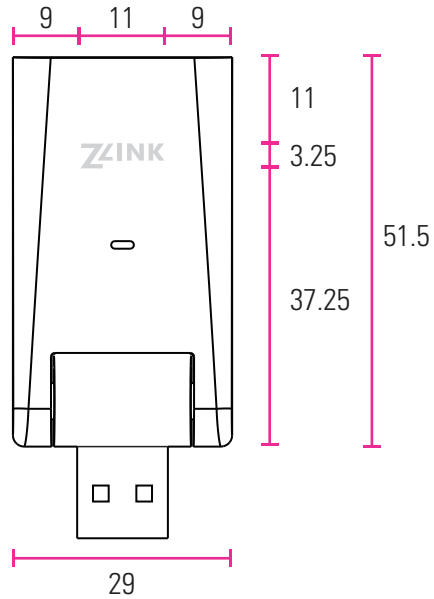
Finish: Glossy

Color: 100 Series White

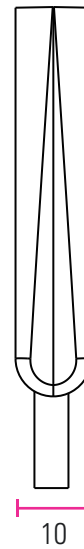
Back



Front



Side



 Pantone Cool Grey 10 C

Pantone Process Black



ZINK 3.25



11

 Pantone 427 C