

FCC Test Report

FCC ID: 2AMY3-10SW1101CT

Product: Tablet PC
Trade Mark: acer
Model Number: Acer One 10 SW110-1CT
Serial Model: N/A
Report No.: 13 Apr. 2018

Prepared for

Acer India Pvt Ltd.
Embassy Heights, 6th Floor, No.13, Magrath Road
Bangalore-560025, India

Prepared by

Shenzhen NTEK Testing Technology Co., Ltd.
1/F, Building E, Fenda Science Park, Sanwei Community,
Xixiang Street Bao'an District, Shenzhen P.R. China
Tel.: +86-755-6115 6588
Fax.: +86-755-6115 6599
Website:<http://www.ntek.org.cn>

Table of Contents	Page
1 . TEST SUMMARY	4
1.1 TEST FACILITY	5
1.2 MEASUREMENT UNCERTAINTY	5
2 . GENERAL INFORMATION	6
2.1 GENERAL DESCRIPTION OF EUT	6
2.2 DESCRIPTION OF TEST SETUP	8
2.3 DESCRIPTION TEST PERIPHERAL AND EUT PERIPHERAL	9
2.4 MEASUREMENT INSTRUMENTS LIST	10
3 . EMC EMISSION TEST	11
3.1 CONDUCTED EMISSION MEASUREMENT	11
3.1.1 POWER LINE CONDUCTED EMISSION	11
3.1.2 TEST PROCEDURE	12
3.1.3 TEST SETUP	12
3.1.4 EUT OPERATING CONDITIONS	12
3.1.5 TEST RESULTS	13
3.2 RADIATED EMISSION MEASUREMENT	21
3.2.1 LIMITS OF RADIATED EMISSION MEASUREMENT	21
3.2.2 TEST PROCEDURE	21
3.2.3 TEST SETUP	22
3.2.4 TEST RESULTS	23
3.2.5 TEST RESULTS(1000~6000MHz)	27

1. TEST SUMMARY

Test procedures according to the technical standards:

EMC Emission				
Standard	Test Item	Limit	Judgment	Remark
FCC Part15B ANSI C63.4: 2014	Conducted Emission	Class B	PASS	
	Radiated Emission	Class B	PASS	

NOTE:

- (1) 'N/A' denotes test is not applicable in this Test Report
- (2) For client's request and manual description, the test will not be executed.

1.1 TEST FACILITY

Shenzhen NTEK Testing Technology Co., Ltd
 Add. : 1/F, Building E, Fenda Science Park, Sanwei Community, Xixiang Street, Bao'an District, Shenzhen 518126 P.R. China.
 FCC Registration Number:463705; IC Registration Number:9270A-1
 CNAS Registration Number:L5516

1.2 MEASUREMENT UNCERTAINTY

The reported uncertainty of measurement $y \pm U$, where expanded uncertainty U is based on a standard uncertainty multiplied by a coverage factor of $k=2$, providing a level of confidence of approximately **95** %.

A. Conducted Measurement :

Test Site	Method	Measurement Frequency Range	U, (dB)	NOTE
NTEKC01	ANSI	150 KHz ~ 30MHz	3.2	

B. Radiated Measurement :

Test Site	Method	Measurement Frequency Range	U, (dB)	NOTE
NTEKA01	ANSI	30MHz ~ 1000MHz	4.7	
		1GHz ~12.4GHz	5.0	

2. GENERAL INFORMATION

2.1 GENERAL DESCRIPTION OF EUT

Equipment	Tablet PC	
Trade Mark	acer	
Model Name	Acer One 10 SW110-1CT	
Serial Model	N/A	
Model Difference	N/A	
Product Description	The EUT is a Wireless Presentation System.	
	Connecting I/O port:	HDMI, USB, TF, MIC, DC port
	Operation Frequency:	128MHz
	Based on the application, features, or specification exhibited in User's Manual, the EUT is considered as an ITE/Computing Device. More details of EUT technical specification, please refer to the User's Manual.	
Power Source	DC 3.7V 6000mAh from battery or DC 5V from Adapter	
Adapter	Adapter 1: Model: JK050200-S04USA Input: AC 100-240V,50-60Hz 0.5A Output: DC 5V,2000mA Adapter 2: Model: JK050200-S37USVD Input: AC 100-240V,50-60Hz 0.5A Output: DC 5V,2000mA	
Battery	DC 3.7 V 6000mAh	
HW Version	EM_H8811_216B_V1.0	
SW Version	Windows 10 Rs1	

2.1.1 DESCRIPTION OF TEST MODES

To investigate the maximum EMI emission characteristics generates from EUT, the test system was pre-scanning tested base on the consideration of following EUT operation mode or test configuration mode which possible have effect on EMI emission level. Each of these EUT operation mode(s) or test configuration mode(s) mentioned above was evaluated respectively.

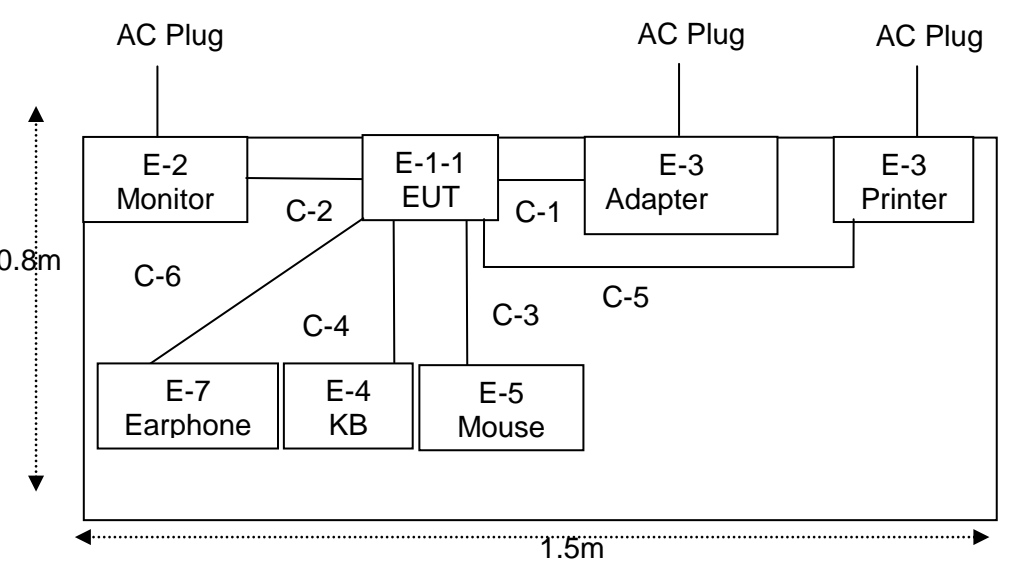
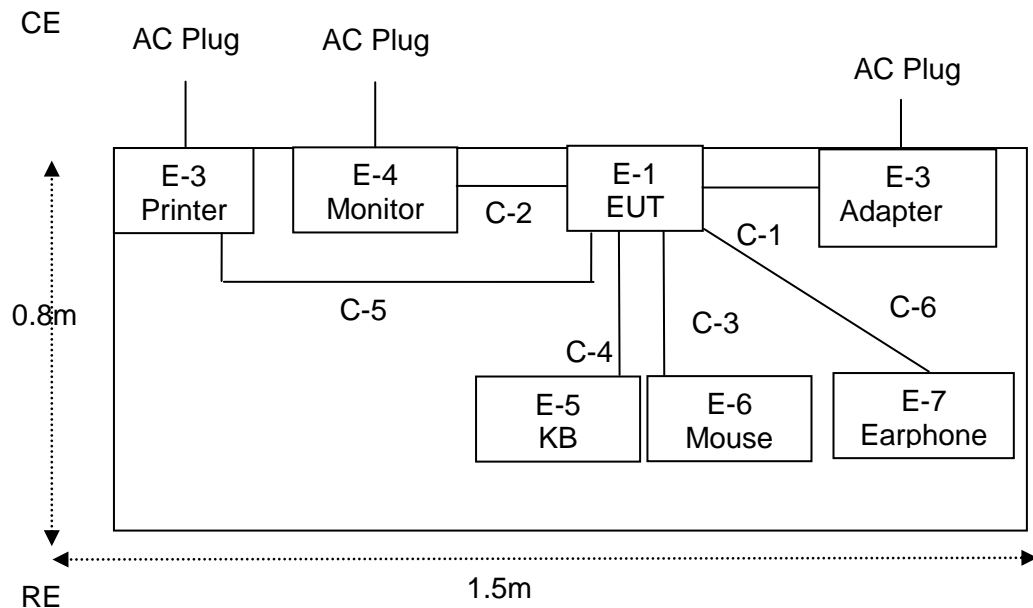
Pretest Mode	Description
Mode 1	TF
Mode 2	HDMI
Mode 3	USB
Mode 4	MIC
Mode 5	CAMERA

For Conducted Test	
Final Test Mode	Description
Mode 1	TF
Mode 2	HDMI
Mode 3	USB
Mode 4	MIC
Mode 5	CAMERA

For Radiated Test	
Final Test Mode	Description
Mode 1	TF
Mode 2	HDMI
Mode 3	USB
Mode 4	MIC
Mode 5	CAMERA

Note: Final Test Mode: Through Pre-scan, find the mode 2 is the worst case.
Only the worst case mode is recorded in the report.

2.2 DESCRIPTION OF TEST SETUP



2.3 DESCRIPTION TEST PERIPHERAL AND EUT PERIPHERAL

The EUT has been tested as an independent unit together with other necessary accessories or support units. The following support units or accessories were used to form a representative test configuration during the tests.

Item	Equipment	Brand	Model/Type No.	Series No.	Note
E-1	Tablet PC	acer	Acer One 10 SW110-1CT	N/A	EUT
E-2	Adapter 1	N/A	JK050200-S04USA	N/A	
E-2	Adapter 2	N/A	JK050200-S37USVD	N/A	
E-3	Printer	Canon	L11121E	LBP2900	Peripherals
E-4	Monitor	SHARP	LCD-32MS46A	09426089241597	Peripherals
E-5	Keyboard	DELL	SK-8185	OY526KUS	Peripherals
E-6	Mouse	DELL	MS111-P	cn-011d3v-71581-11e-1th7	Peripherals
E-7	Earphone	N/A	2688	N/A	Peripherals

Item	Cable Type	Shielded Type	Ferrite Core	Length	Note
C-1	DC Cable	NO	NO	1.2m	
C-2	HDMI Cable	NO	NO	1.0m	
C-3	Keyboard Cable	NO	NO	1.0m	
C-4	Mouse Cable	NO	NO	1.0m	
C-5	USB Cable	NO	NO	1.2m	
C-6	Earphone Cable	NO	NO	1.2m	

Note:

- (1) The support equipment was authorized by Declaration of Confirmation.
- (2) For detachable type I/O cable should be specified the length in cm in 『Length』 column.
- (3) “YES” means “shielded” “with core”; “NO” means “unshielded” “without core”.

2.4 MEASUREMENT INSTRUMENTS LIST

Radiation Test equipment

Item	Kind of Equipment	Manufacturer	Type No.	Serial No.	Last calibration	Calibrated until	Calibration period
1	Spectrum Analyzer	Agilent	E4407B	MY45108040	2017.06.06	2018.06.05	1 year
2	Test Receiver	R&S	ESPI	101318	2017.06.06	2018.06.05	1 year
3	Bilog Antenna	TESEQ	CBL6111D	31216	2017.11.10	2018.11.09	1 year
4	50Ω Coaxial Switch	Anritsu	MP59B	6200264416	2017.06.06	2018.06.05	1 year
5	Spectrum Analyzer	ADVANTEST	R3132	150900201	2017.06.06	2018.06.05	1 year
6	Horn Antenna	EM	EM-AH-10180	2011071402	2017.11.10	2018.11.09	1 year
7	Horn Ant	Schwarzbeck	BBHA 9170	9170-181	2017.07.06	2018.07.05	1 year
8	Amplifier	EMC	EMC051835SE	980246	2017.08.09	2018.08.08	1 year
9	Loop Antenna	ARA	PLA-1030/B	1029	2017.06.06	2018.06.05	1 year
10	Power Meter	DARE	RPR3006W	15I00041SNO84	2017.08.09	2018.08.08	1 year
11	Power Sensor	R&S	URV5-Z4	0395.1619.05	2017.07.06	2018.07.05	1 year
12	Test Cable (30MHz-1GHz)	N/A	R-02	N/A	2017.04.21	2020.04.20	3 year
13	High Test Cable(1G-40GHz)	N/A	R-03	N/A	2017.04.21	2020.04.20	3 year
14	High Test Cable(1G-40GHz)	N/A	R-04	N/A	2017.04.21	2020.04.20	3 year

Conduction Test equipment

Item	Kind of Equipment	Manufacturer	Type No.	Serial No.	Last calibration	Calibrated until	Calibration period
1	Test Receiver	R&S	ESCI	101160	2017.06.06	2018.06.05	1 year
2	LISN	R&S	ENV216	101313	2017.04.19	2018.04.18	1 year
3	LISN	SCHWARZBECK	NNLK 8129	8129245	2017.06.06	2018.06.05	1 year
4	50Ω Coaxial Switch	ANRITSU CORP	MP59B	6200983704	2017.06.06	2018.06.05	1 year
5	Test Cable (9KHz-30MHz)	N/A	C01	N/A	2017.04.21	2020.04.20	3 year
6	Test Cable (9KHz-30MHz)	N/A	C02	N/A	2017.04.21	2020.04.20	3 year
7	Test Cable (9KHz-30MHz)	N/A	C03	N/A	2017.04.21	2020.04.20	3 year

3. EMC EMISSION TEST

3.1 CONDUCTED EMISSION MEASUREMENT

3.1.1 POWER LINE CONDUCTED EMISSION (Frequency Range 150KHz-30MHz)

FREQUENCY (MHz)	Class A (dBuV)		Class B (dBuV)	
	Quasi-peak	Average	Quasi-peak	Average
0.15 -0.5	79.00	66.00	66 - 56 *	56 - 46 *
0.50 -5.0	73.00	60.00	56.00	46.00
5.0 -30.0	73.00	60.00	60.00	50.00

Note:

- (1) The tighter limit applies at the band edges.
- (2) The limit of " * " marked band means the limitation decreases linearly with the logarithm of the frequency in the range.

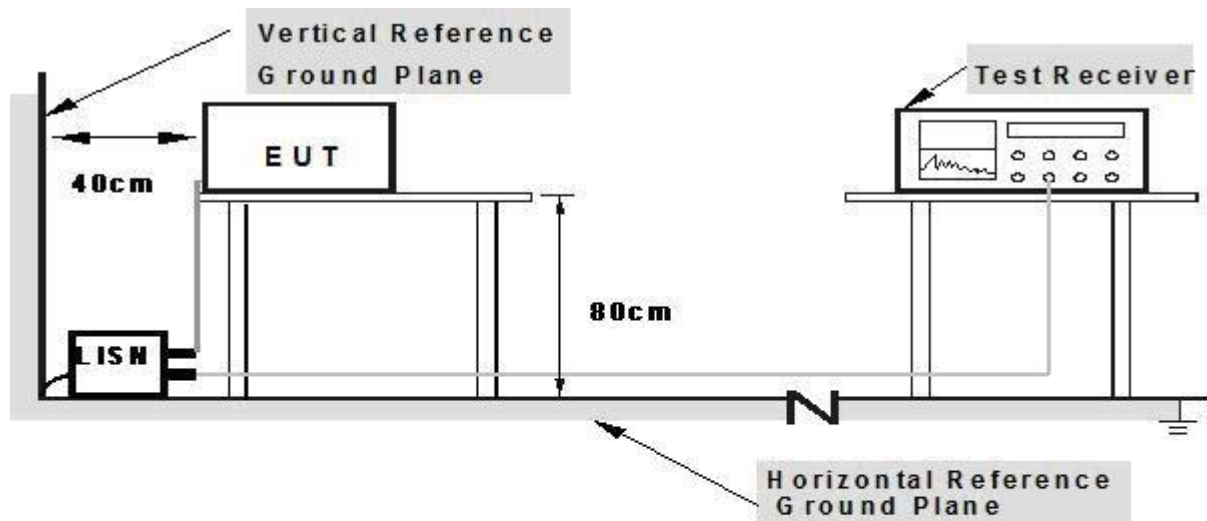
The following table is the setting of the receiver

Receiver Parameters	Setting
Attenuation	10 dB
Start Frequency	0.15 MHz
Stop Frequency	30 MHz
IF Bandwidth	9 kHz

3.1.2 TEST PROCEDURE

- a. The EUT was placed 0.8 meters from the horizontal ground plane with EUT being connected to the power mains through a line impedance stabilization network (LISN). All other support equipments powered from additional LISN(s). The LISN provide 50 Ohm/ 50uH of coupling impedance for the measuring instrument.
- b. Interconnecting cables that hang closer than 40 cm to the ground plane shall be folded back and forth in the center forming a bundle 30 to 40 cm long.
- c. I/O cables that are not connected to a peripheral shall be bundled in the center. The end of the cable may be terminated, if required, using the correct terminating impedance. The overall length shall not exceed 1 m.
- d. LISN at least 80 cm from nearest part of EUT chassis.
- e. For the actual test configuration, please refer to the related Item –EUT Test Photos.

3.1.3 TEST SETUP



Note: 1. Support units were connected to second LISN.

2. Both of LISNs (AMN) are 80 cm from EUT and at least 80 cm from other units and other metal planes

3.1.4 EUT OPERATING CONDITIONS

The EUT tested system was configured as the statements of 2.3 Unless otherwise a special operating condition is specified in the follows during the testing.

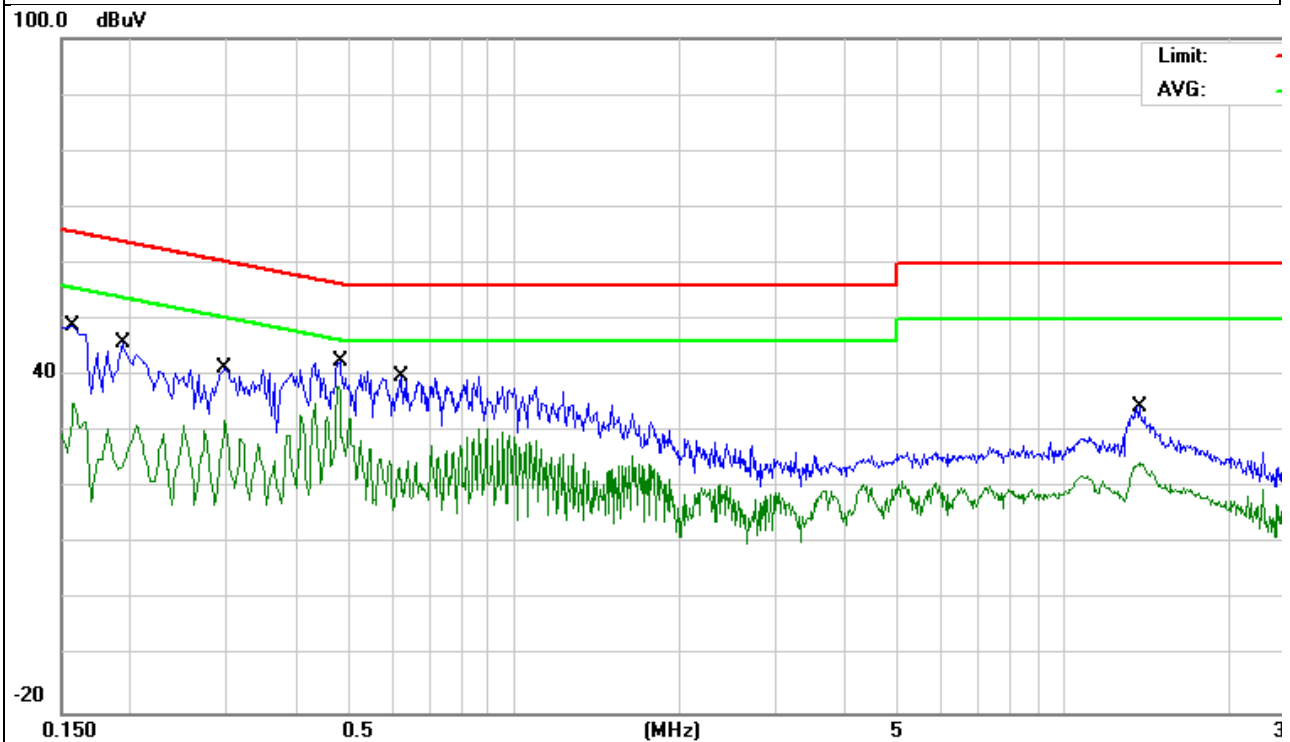
3.1.5 TEST RESULTS

EUT:	Tablet PC	Model Name. :	Acer One 10 SW110-1CT
Temperature:	23 °C	Relative Humidity:	40%
Pressure:	1010hPa	Test Date:	2017-11-13
Test Mode:	Mode 1	Phase :	L
Test Voltage:	DC 5V from Adapter 1 AC120V/60Hz		

Frequency (MHz)	Reading Level (dBμV)	Correct Factor (dB)	Measure-ment (dBμV)	Limits (dBμV)	Margin (dB)	Remark
0.1580	39.00	9.82	48.82	65.56	-16.74	QP
0.1580	25.26	9.82	35.08	55.56	-20.48	AVG
0.1940	35.94	9.82	45.76	63.86	-18.10	QP
0.1940	14.38	9.82	24.20	53.86	-29.66	AVG
0.2980	31.64	9.82	41.46	60.30	-18.84	QP
0.2980	18.05	9.82	27.87	50.30	-22.43	AVG
0.4820	32.66	9.83	42.49	56.30	-13.81	QP
0.4820	28.15	9.83	37.98	46.30	-8.32	AVG
0.6260	29.96	9.83	39.79	56.00	-16.21	QP
0.6260	11.79	9.83	21.62	46.00	-24.38	AVG
13.7060	24.30	10.15	34.45	60.00	-25.55	QP
13.7060	14.51	10.15	24.66	50.00	-25.34	AVG

Remark:

1. All readings are Quasi-Peak and Average values.
2. Factor = Insertion Loss + Cable Loss.

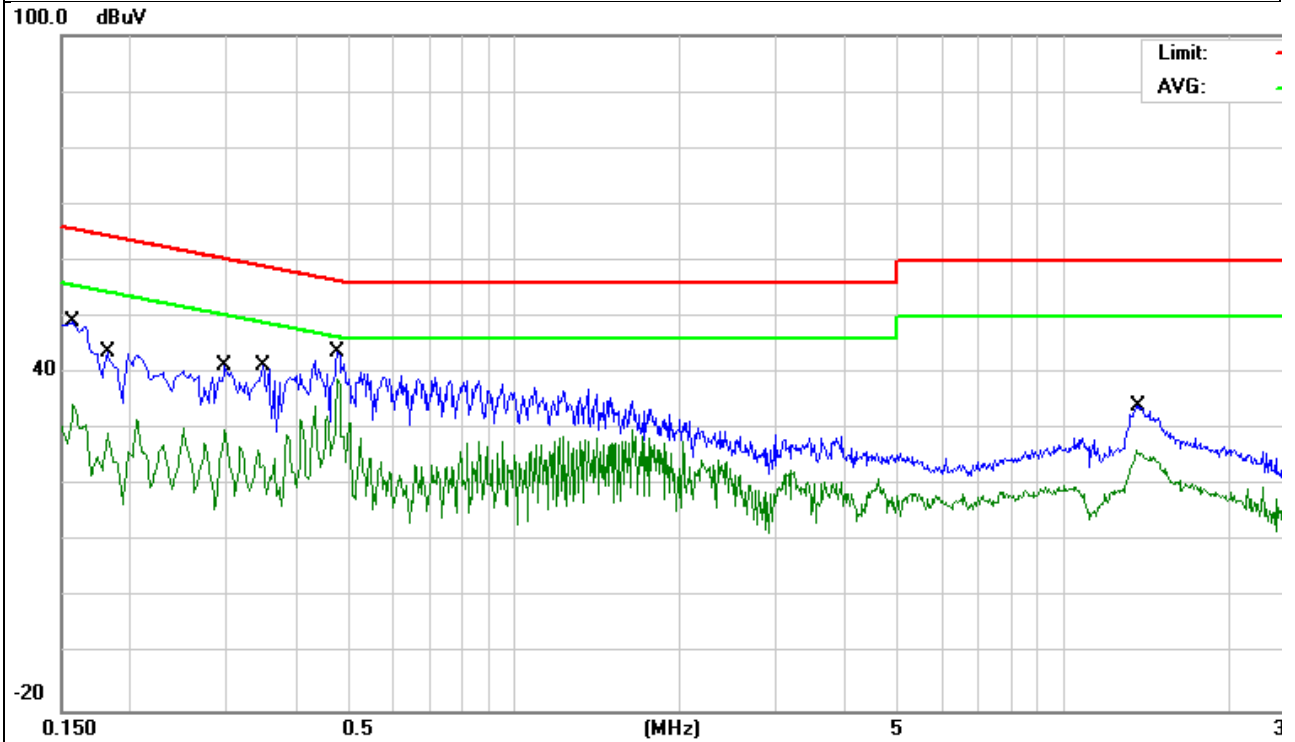


EUT:	Tablet PC	Model Name. :	Acer One 10 SW110-1CT
Temperature:	23 °C	Relative Humidity:	40%
Pressure:	1010hPa	Test Date:	2017-11-13
Test Mode:	Mode 1	Phase :	N
Test Voltage:	DC 5V from Adapter 1 AC120V/60Hz		

Frequency (MHz)	Reading Level (dBμV)	Correct Factor (dB)	Measure-ment (dBμV)	Limits (dBμV)	Margin (dB)	Remark
0.1580	39.14	9.92	49.06	65.56	-16.50	QP
0.1580	24.47	9.92	34.39	55.56	-21.17	AVG
0.1820	33.78	9.92	43.70	64.39	-20.69	QP
0.1820	17.67	9.92	27.59	54.39	-26.80	AVG
0.2980	31.32	9.92	41.24	60.30	-19.06	QP
0.2980	16.96	9.92	26.88	50.30	-23.42	AVG
0.3500	31.31	9.92	41.23	58.96	-17.73	QP
0.3500	11.17	9.92	21.09	48.96	-27.87	AVG
0.4780	33.84	9.93	43.77	56.37	-12.60	QP
0.4780	29.05	9.93	38.98	46.37	-7.39	AVG
13.6820	23.84	10.20	34.04	60.00	-25.96	QP
13.6820	16.12	10.20	26.32	50.00	-23.68	AVG

Remark:

1. All readings are Quasi-Peak and Average values.
2. Factor = Insertion Loss + Cable Loss.

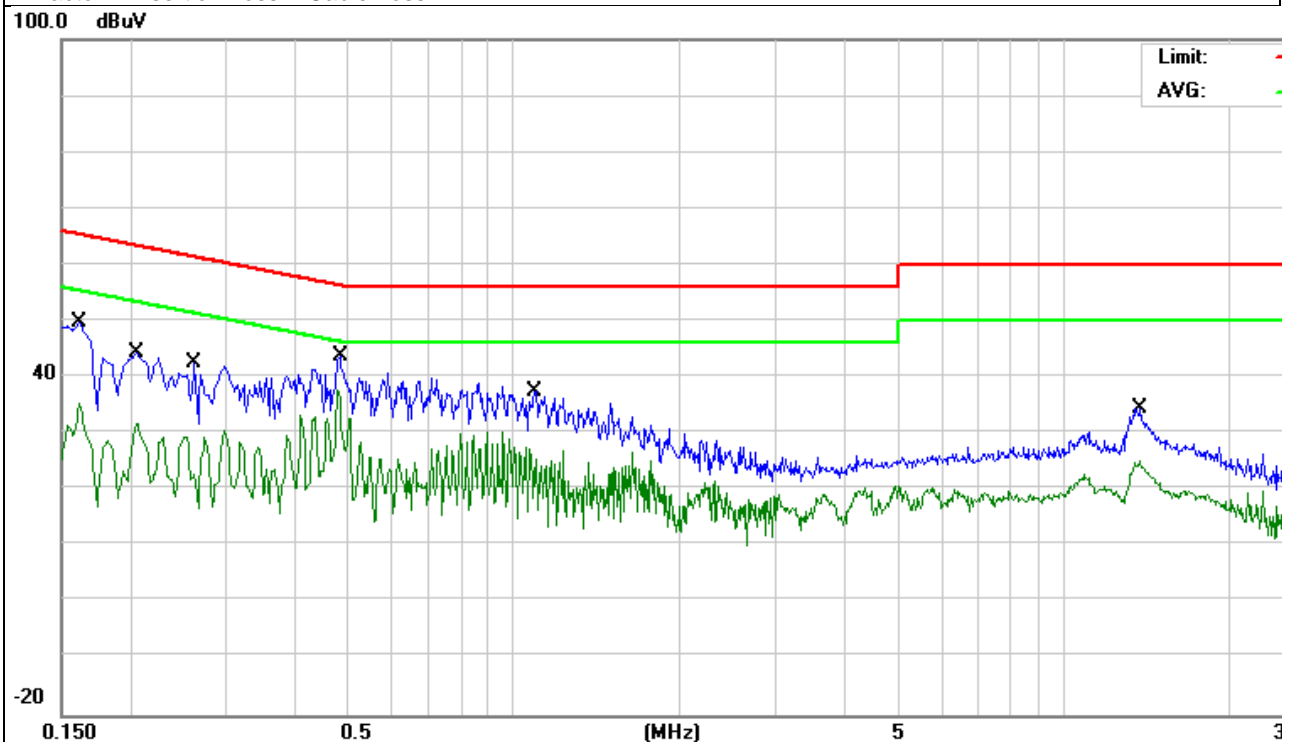


EUT:	Tablet PC	Model Name. :	Acer One 10 SW110-1CT
Temperature:	23 °C	Relative Humidity:	40%
Pressure:	1010hPa	Test Date:	2017-11-13
Test Mode:	Mode 1	Phase :	L
Test Voltage:	DC 5V from Adapter 1 AC240V/60Hz		

Frequency (MHz)	Reading Level (dBμV)	Correct Factor (dB)	Measure-ment (dBμV)	Limits (dBμV)	Margin (dB)	Remark
0.1620	39.99	9.82	49.81	65.36	-15.55	QP
0.1620	25.44	9.82	35.26	55.36	-20.10	AVG
0.2060	34.40	9.82	44.22	63.36	-19.14	QP
0.2060	21.98	9.82	31.80	53.36	-21.56	AVG
0.2620	32.77	9.82	42.59	61.36	-18.77	QP
0.2620	11.46	9.82	21.28	51.36	-30.08	AVG
0.4820	33.81	9.83	43.64	56.30	-12.66	QP
0.4820	28.06	9.83	37.89	46.30	-8.41	AVG
1.0900	27.66	9.92	37.58	56.00	-18.42	QP
1.0900	20.31	9.92	30.23	46.00	-15.77	AVG
13.7700	24.28	10.17	34.45	60.00	-25.55	QP
13.7700	15.08	10.17	25.25	50.00	-24.75	AVG

Remark:

- All readings are Quasi-Peak and Average values.
- Factor = Insertion Loss + Cable Loss.

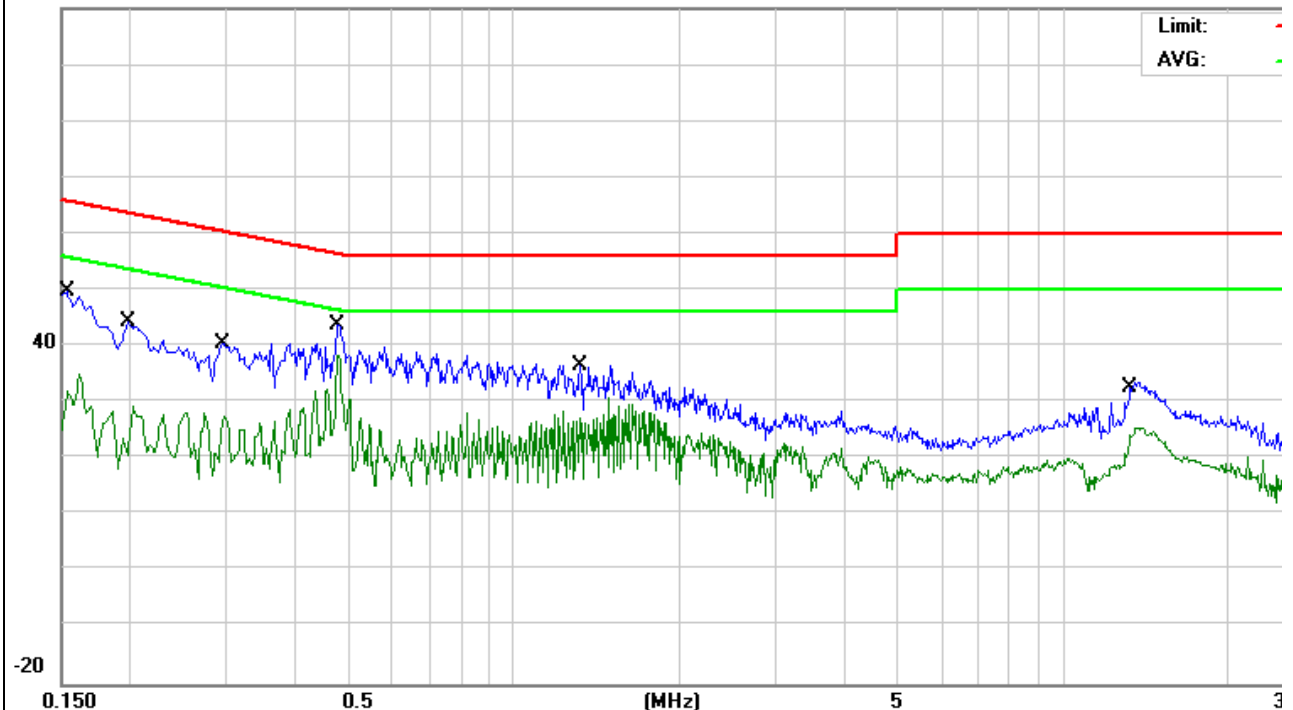


EUT:	Tablet PC	Model Name. :	Acer One 10 SW110-1CT
Temperature:	23 °C	Relative Humidity:	40%
Pressure:	1010hPa	Test Date:	2017-11-13
Test Mode:	Mode 1	Phase :	N
Test Voltage:	DC 5V from Adapter 1 AC240V/60Hz		

Frequency (MHz)	Reading Level (dB μ V)	Correct Factor (dB)	Measure-ment (dB μ V)	Limits (dB μ V)	Margin (dB)	Remark
0.1539	39.75	9.92	49.67	65.78	-16.11	QP
0.1539	25.20	9.92	35.12	55.78	-20.66	AVG
0.1980	34.41	9.92	44.33	63.69	-19.36	QP
0.1980	12.16	9.92	22.08	53.69	-31.61	AVG
0.2940	30.63	9.92	40.55	60.41	-19.86	QP
0.2940	17.59	9.92	27.51	50.41	-22.90	AVG
0.4780	33.74	9.93	43.67	56.37	-12.70	QP
0.4780	28.40	9.93	38.33	46.37	-8.04	AVG
1.3220	26.69	9.93	36.62	56.00	-19.38	QP
1.3220	20.83	9.93	30.76	46.00	-15.24	AVG
13.0940	19.91	10.18	30.09	60.00	-29.91	QP
13.0940	15.39	10.18	25.57	50.00	-24.43	AVG

Remark:

1. All readings are Quasi-Peak and Average values.
2. Factor = Insertion Loss + Cable Loss.

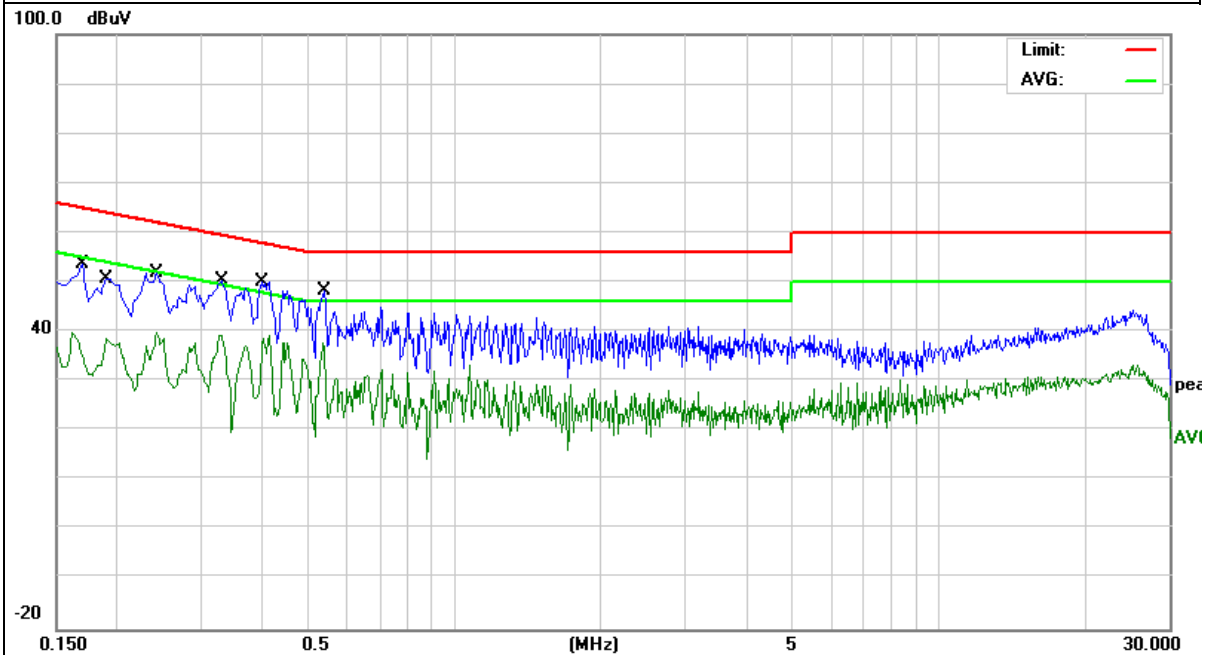
 100.0 dB μ V


EUT:	Tablet PC	Model Name. :	Acer One 10 SW110-1CT
Temperature:	23 °C	Relative Humidity:	40%
Pressure:	1010hPa	Test Date:	2018-4-12
Test Mode:	Mode 1	Phase :	L
Test Voltage:	DC 5V from Adapter 2 AC120V/60Hz		

Frequency (MHz)	Reading Level (dBμV)	Correct Factor (dB)	Measurement (dBμV)	Limits (dBμV)	Margin (dB)	Remark
0.1940	44.67	9.82	54.49	63.86	-9.37	QP
0.1940	31.11	9.82	40.93	53.86	-12.93	AVG
0.2300	42.12	9.82	51.94	62.45	-10.51	QP
0.2300	23.68	9.82	33.50	52.45	-18.95	AVG
0.2940	40.62	9.82	50.44	60.41	-9.97	QP
0.2940	33.71	9.82	43.53	50.41	-6.88	AVG
0.4180	39.19	9.83	49.02	57.49	-8.47	QP
0.4180	32.46	9.83	42.29	47.49	-5.20	AVG
0.5420	38.15	9.83	47.98	56.00	-8.02	QP
0.5420	31.49	9.83	41.32	46.00	-4.68	AVG
0.6260	37.61	9.83	47.44	56.00	-8.56	QP
0.6260	29.88	9.83	39.71	46.00	-6.29	AVG

Remark:

- All readings are Quasi-Peak and Average values.
- Factor = Insertion Loss + Cable Loss.

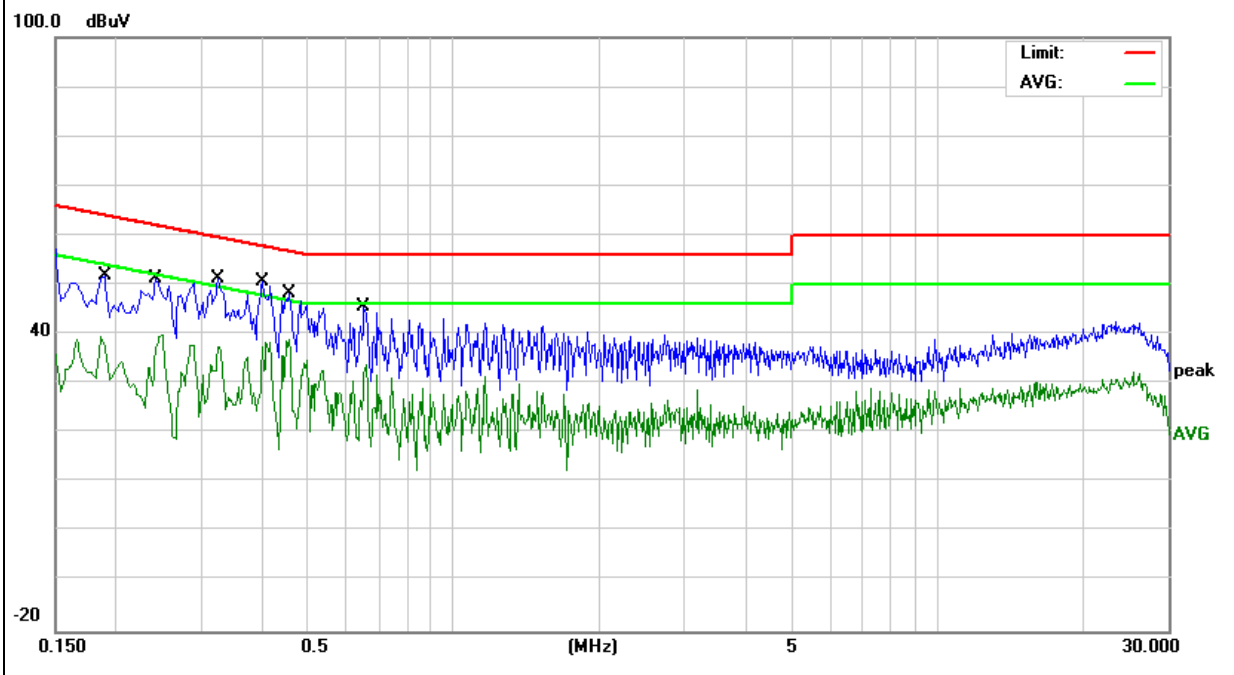


EUT:	Tablet PC	Model Name. :	Acer One 10 SW110-1CT
Temperature:	23 °C	Relative Humidity:	40%
Pressure:	1010hPa	Test Date:	2018-4-12
Test Mode:	Mode 1	Phase :	N
Test Voltage:	DC 5V from Adapter 2 AC120V/60Hz		

Frequency (MHz)	Reading Level (dBμV)	Correct Factor (dB)	Measure-ment (dBμV)	Limits (dBμV)	Margin (dB)	Remark
0.1900	41.85	9.92	51.77	64.03	-12.26	QP
0.1900	29.54	9.92	39.46	54.03	-14.57	AVG
0.2420	41.30	9.92	51.22	62.02	-10.80	QP
0.2420	29.89	9.92	39.81	52.02	-12.21	AVG
0.3260	41.24	9.92	51.16	59.55	-8.39	QP
0.3260	27.68	9.92	37.60	49.55	-11.95	AVG
0.4020	40.87	9.93	50.80	57.81	-7.01	QP
0.4020	28.51	9.93	38.44	47.81	-9.37	AVG
0.4580	38.26	9.93	48.19	56.73	-8.54	QP
0.4580	29.00	9.93	38.93	46.73	-7.80	AVG
0.6540	35.52	9.93	45.45	56.00	-10.55	QP
0.6540	23.97	9.93	33.90	46.00	-12.10	AVG

Remark:

1. All readings are Quasi-Peak and Average values.
2. Factor = Insertion Loss + Cable Loss.

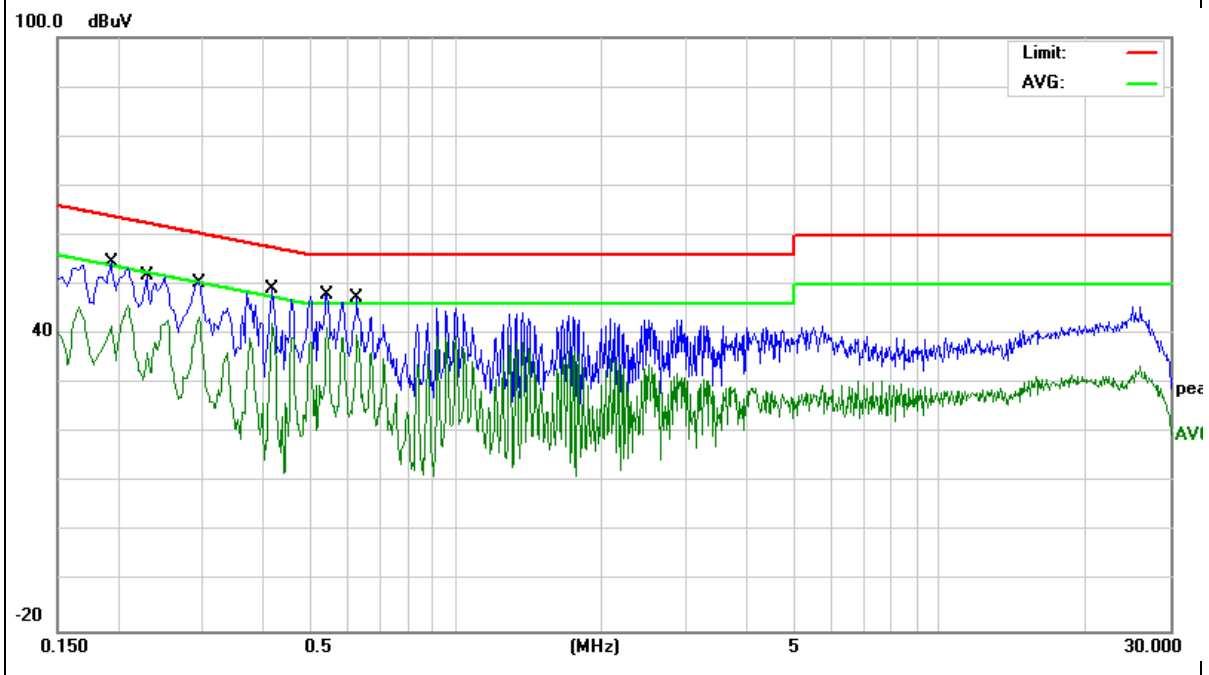


EUT:	Tablet PC	Model Name. :	Acer One 10 SW110-1CT
Temperature:	23 °C	Relative Humidity:	40%
Pressure:	1010hPa	Test Date:	2018-4-12
Test Mode:	Mode 1	Phase :	L
Test Voltage:	DC 5V from Adapter 2 AC 240V/60Hz		

Frequency (MHz)	Reading Level (dBμV)	Correct Factor (dB)	Measure-ment (dBμV)	Limits (dBμV)	Margin (dB)	Remark
0.1940	44.67	9.82	54.49	63.86	-9.37	QP
0.1940	31.11	9.82	40.93	53.86	-12.93	AVG
0.2300	42.12	9.82	51.94	62.45	-10.51	QP
0.2300	23.68	9.82	33.50	52.45	-18.95	AVG
0.2940	40.62	9.82	50.44	60.41	-9.97	QP
0.2940	33.71	9.82	43.53	50.41	-6.88	AVG
0.4180	39.19	9.83	49.02	57.49	-8.47	QP
0.4180	32.46	9.83	42.29	47.49	-5.20	AVG
0.5420	38.15	9.83	47.98	56.00	-8.02	QP
0.5420	31.49	9.83	41.32	46.00	-4.68	AVG
0.6260	37.61	9.83	47.44	56.00	-8.56	QP
0.6260	29.88	9.83	39.71	46.00	-6.29	AVG

Remark:

1. All readings are Quasi-Peak and Average values.
2. Factor = Insertion Loss + Cable Loss.

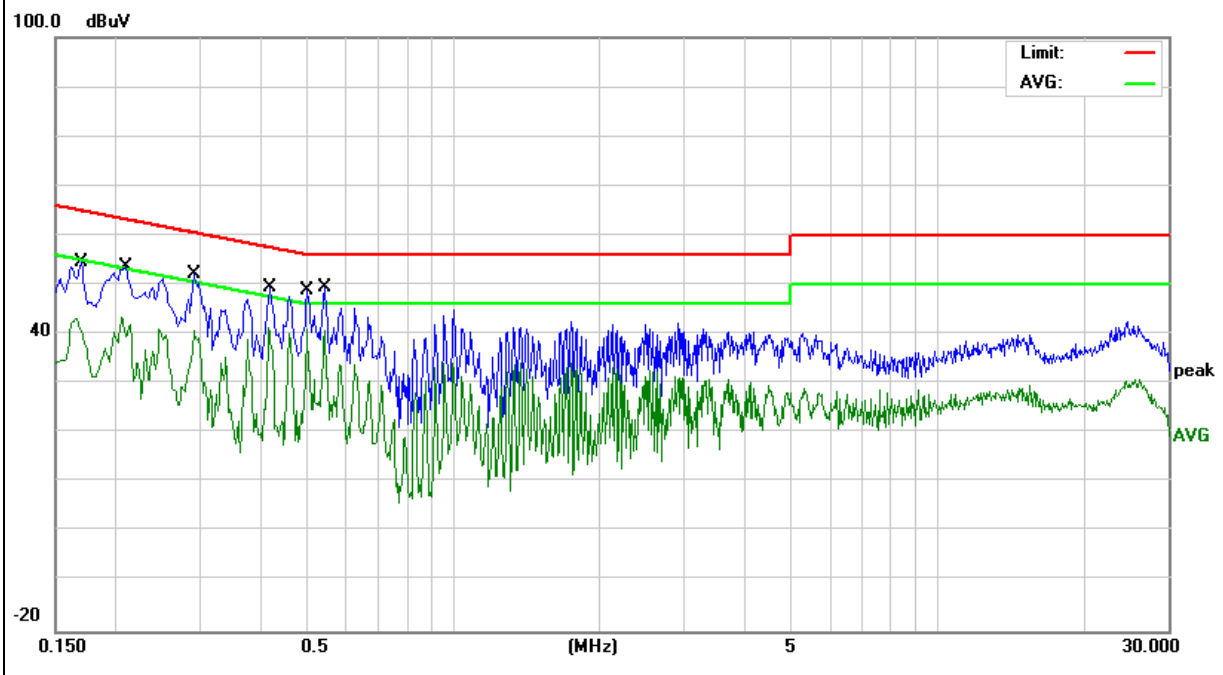


EUT:	Tablet PC	Model Name. :	Acer One 10 SW110-1CT
Temperature:	23 °C	Relative Humidity:	40%
Pressure:	1010hPa	Test Date:	2018-4-12
Test Mode:	Mode 1	Phase :	N
Test Voltage:	DC 5V from Adapter 2 AC 240V/60Hz		

Frequency (MHz)	Reading Level (dBμV)	Correct Factor (dB)	Measure-ment (dBμV)	Limits (dBμV)	Margin (dB)	Remark
0.1700	44.64	9.92	54.56	64.96	-10.40	QP
0.1700	33.28	9.92	43.20	54.96	-11.76	AVG
0.2100	43.64	9.92	53.56	63.20	-9.64	QP
0.2100	32.26	9.92	42.18	53.20	-11.02	AVG
0.2900	42.34	9.92	52.26	60.52	-8.26	QP
0.2900	30.77	9.92	40.69	50.52	-9.83	AVG
0.4180	39.59	9.93	49.52	57.49	-7.97	QP
0.4180	31.46	9.93	41.39	47.49	-6.10	AVG
0.4980	38.78	9.93	48.71	56.03	-7.32	QP
0.4980	31.01	9.93	40.94	46.03	-5.09	AVG
0.5420	39.52	9.93	49.45	56.00	-6.55	QP
0.5420	30.70	9.93	40.63	46.00	-5.37	AVG

Remark:

1. All readings are Quasi-Peak and Average values.
2. Factor = Insertion Loss + Cable Loss.



3.2 RADIATED EMISSION MEASUREMENT

3.2.1 LIMITS OF RADIATED EMISSION MEASUREMENT

FREQUENCY (MHz)	Class A (at 10m)	Class B (at 3m)
	dBuV/m	dBuV/m
30 ~ 88	39.0	40.0
88 ~ 216	43.5	43.5
216 ~ 960	46.5	46.0
Above 960	49.5	54.0

Notes:

- (1) The limit for radiated test was performed according to as following:
FCC PART 15B /ICES-003.
- (2) The tighter limit applies at the band edges.
- (3) Emission level (dBuV/m)=20log Emission level (uV/m).

3.2.2 TEST PROCEDURE

Test Arrangement for Radiated Emissions up to 1 GHz

- a. The EUT was placed on the top of a rotating table 0.8 meters above the ground at an accredited test facility. The table was rotated 360 degrees to determine the position of the highest radiation.
- b. The EUT was set 3 meters away from the interference-receiving antenna, which was mounted on the top of a variable-height antenna tower.
- c. The antenna is a broadband antenna, and its height is varied from one meter to four meters above the ground to determine the maximum value of the field strength. Both horizontal and vertical polarizations of the antenna are set to make the measurement.
- d. For each suspected emission, the EUT was arranged to its worst case and then the antenna was tuned to heights from 1 meter to 4 meters and the rotatable table was turned from 0 degrees to 360 degrees to find the maximum reading.

Note: The resolution bandwidth and video bandwidth of test receiver/spectrum analyzer is 120kHz for quasi-peak detection (QP) at frequency below 1GHz.

Test Arrangement for Radiated Emissions above 1 GHz.

- a. The EUT was placed on the top of a rotating table 0.8 meters above the ground at an accredited chamber room. The table was rotated 360 degrees to determine the position of the highest radiation.
- b. The EUT was set 3 meters away from the interference-receiving antenna, which was mounted on the top of a variable-height antenna tower.
- c. The height of antenna can be varied from one meter to four meters, the height of adjustment depends on the EUT height and the antenna 3dB beamwidth both, to detect the maximum value of the field strength. Both horizontal and vertical polarizations of the antenna are set to make the measurement.
- d. For each suspected emission, the EUT was arranged to its worst case and then the antenna was tuned to heights and the rotatable table was turned from 0 degrees to 360 degrees to find the maximum reading.

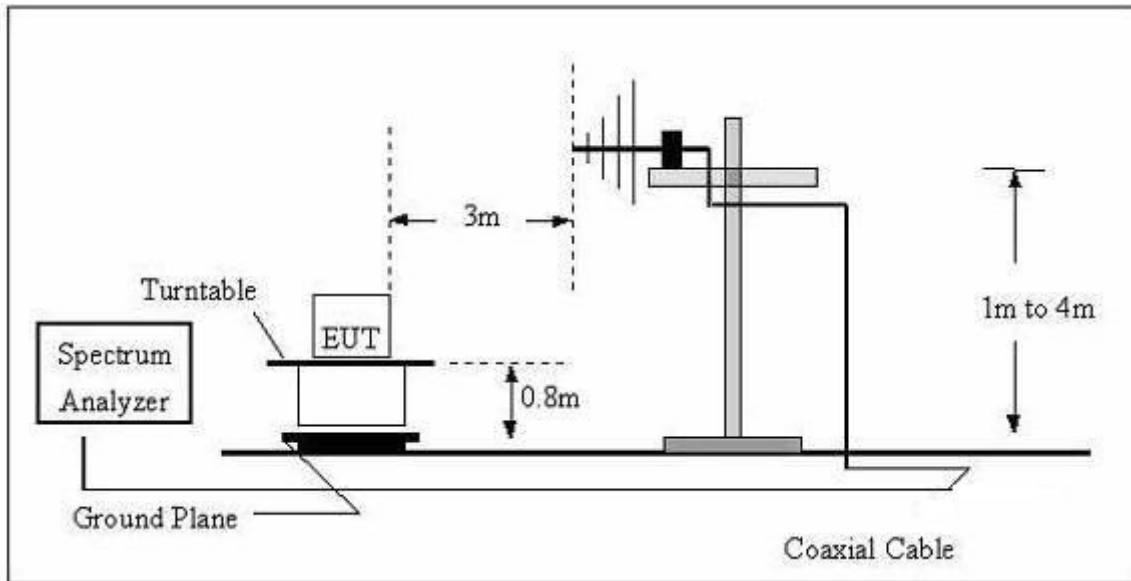
Note: For the hand-held device, the EUT should be measured for all 3 axes and only the worst case is recorded in the report

During the radiated emission test, the Spectrum Analyzer was set with the following configurations:

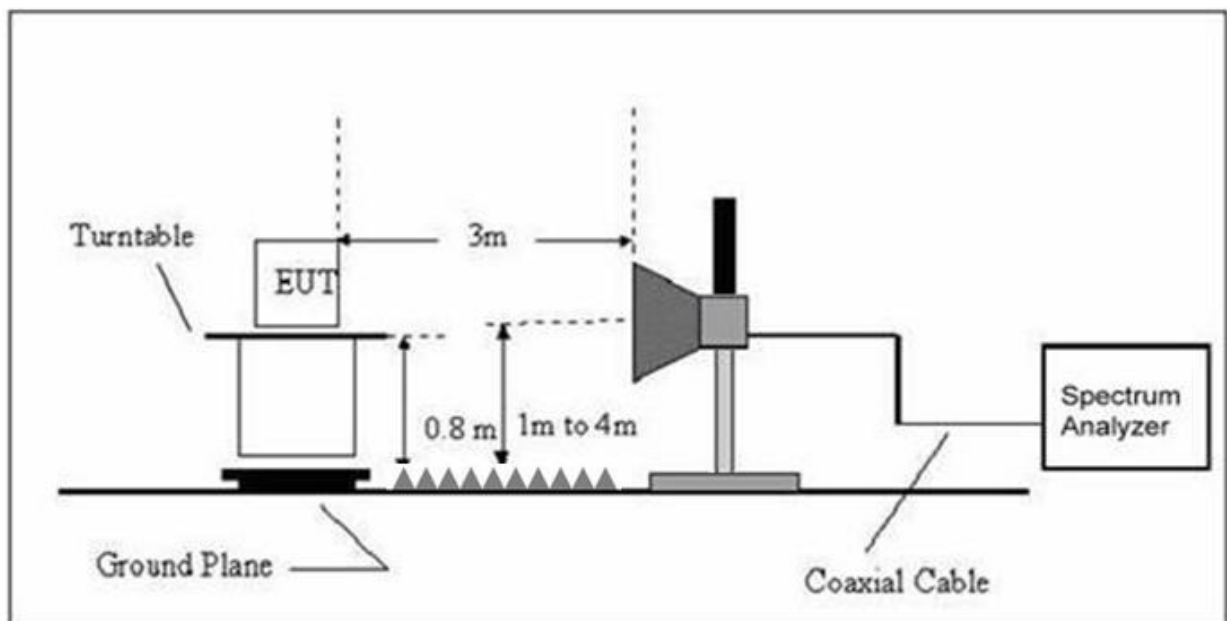
Frequency Band (MHz)	Function	Resolution bandwidth	Video Bandwidth
30 to 1000	QP	120 kHz	300 kHz
Above 1000	Peak	1 MHz	1 MHz
	Avg	1 MHz	10 Hz

3.2.3 TEST SETUP

For Radiated Emission 30~1000MHz



(B) Radiated Emission Test Set-Up Frequency Above 1GHz



3.2.4 TEST RESULTS

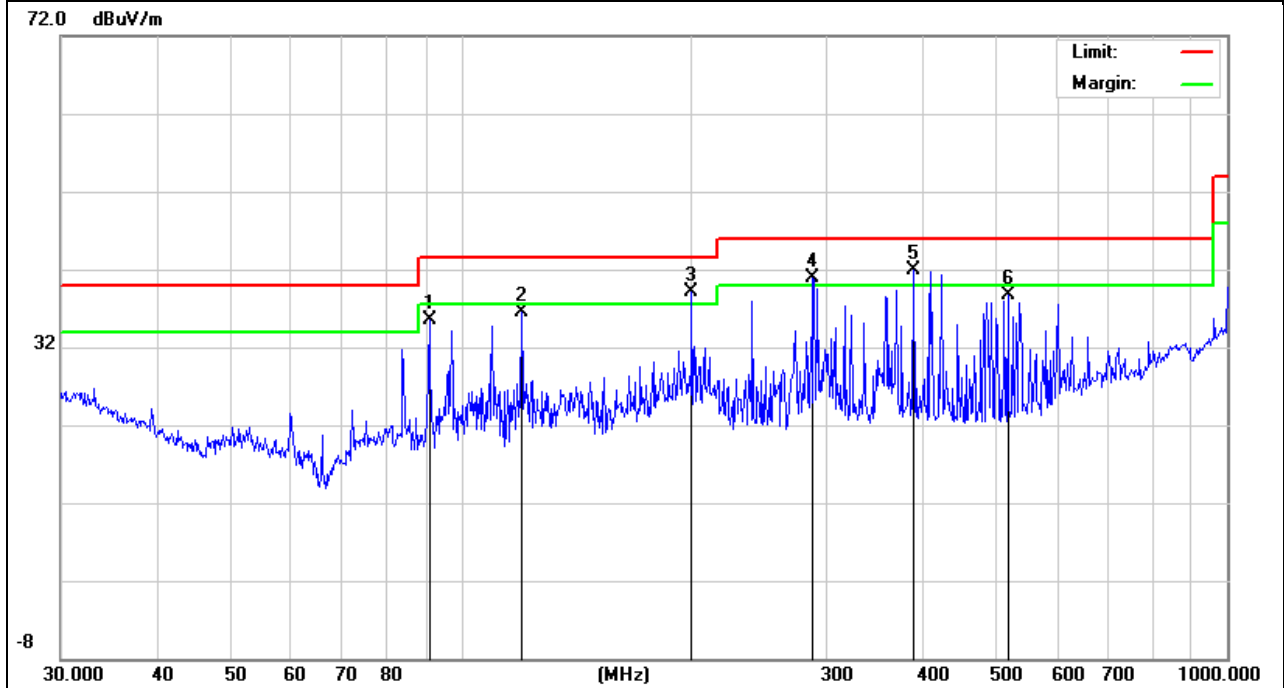
TEST RESULTS (30~1000 MHz)

EUT:	Tablet PC	Model Name:	Acer One 10 SW110-1CT
Temperature:	25 °C	Relative Humidity:	51%
Pressure:	1010 hPa	Test Date :	2017-11-13
Test Mode :	Mode 1	Polarization :	Horizontal
Test Power :	DC 5V from Adapter 1 AC120V/60Hz		

Polar (H/V)	Frequency	Meter Reading	Factor	Emission Level	Limits	Margin	Remark
	(MHz)	(dBuV)	(dB)	(dBuV/m)	(dBuV/m)	(dB)	
H	90.8554	23.73	11.83	35.56	43.5	-7.94	QP
H	119.8555	25.88	10.6	36.48	43.5	-7.02	QP
H	199.9856	25.25	13.76	39.01	43.5	-4.49	QP
H	287.9904	26.78	14.05	40.83	46	-5.17	QP
H	389.3549	26.79	15.04	41.83	46	-4.17	QP
H	517.248	21.61	17.15	38.76	46	-7.24	QP

Remark:

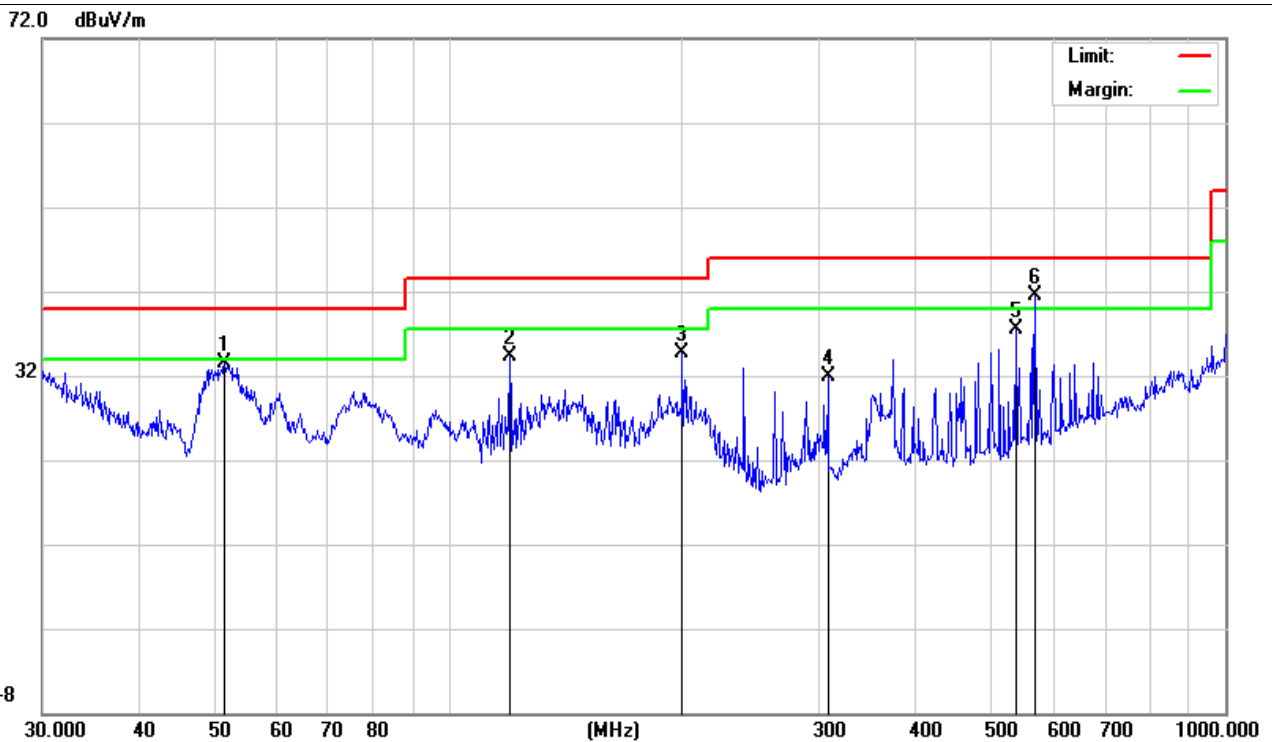
Factor = Antenna Factor + Cable Loss - Amplifier.



EUT:	Tablet PC	Model Name :	Acer One 10 SW110-1CT
Temperature:	25.4 °C	Relative Humidity:	39%
Pressure:	1010 hPa	Test Date :	2017-11-13
Test Mode :	Mode 1	Polarization :	Vertical
Test Power :	DC 5V from Adapter 1 AC120V/60Hz		

Polar (H/V)	Frequency	Meter Reading	Factor	Emission Level	Limits	Margin	Remark
	(MHz)	(dBuV)	(dB)	(dBuV/m)	(dBuV/m)	(dB)	
V	51.4807	20.25	13.28	33.53	40	-6.47	QP
V	119.8556	23.8	10.6	34.4	43.5	-9.1	QP
V	199.9856	20.91	13.76	34.67	43.5	-8.83	QP
V	307.8313	18.34	13.57	31.91	46	-14.09	QP
V	537.5891	19.4	18.1	37.5	46	-8.5	QP
V	568.6127	22.92	18.67	41.59	46	-4.41	QP

Remark:
Factor = Antenna Factor + Cable Loss - Amplifier.

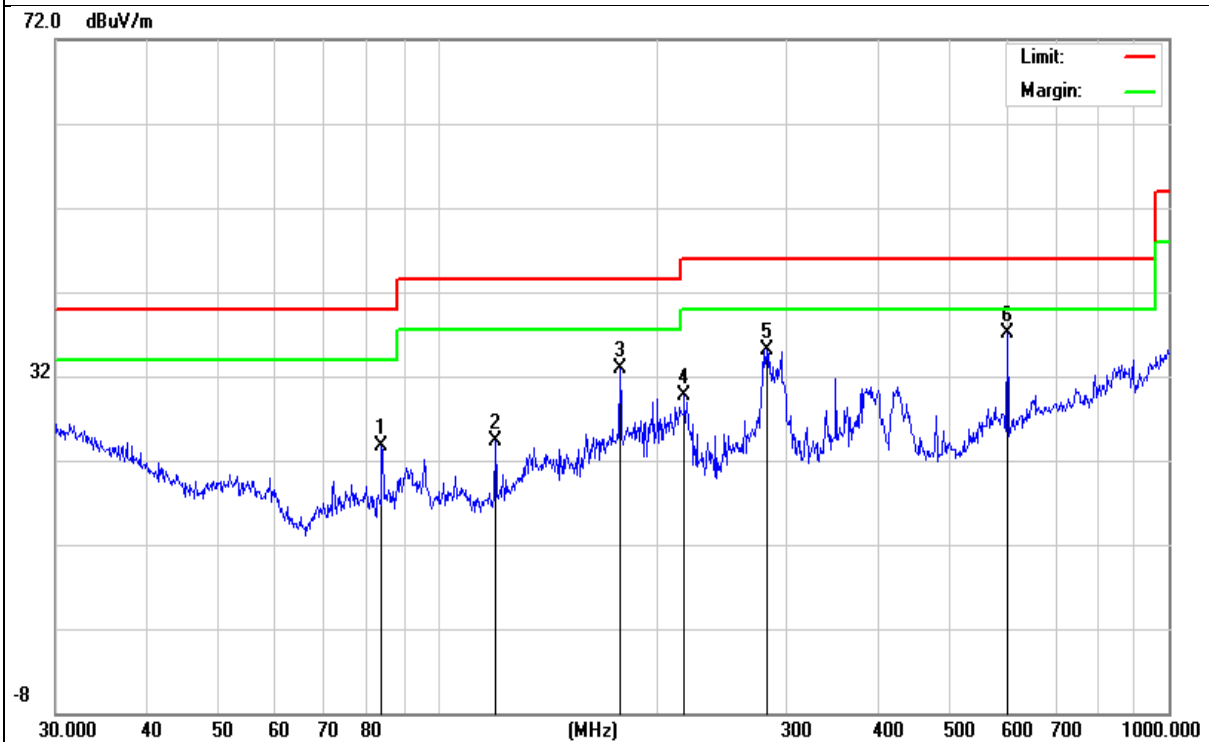


EUT:	Tablet PC	Model Name:	Acer One 10 SW110-1CT
Temperature:	25 °C	Relative Humidity:	51%
Pressure:	1010 hPa	Test Date :	2018-04-12
Test Mode :	Mode 1	Polarization :	Horizontal
Test Power :	DC 5V from Adapter 2 AC120V/60Hz		

Polar (H/V)	Frequency	Meter Reading	Factor	Emission Level	Limits	Margin	Remark
	(MHz)	(dBuV)	(dB)	(dBuV/m)	(dBuV/m)	(dB)	
H	83.8156	12.54	11.24	23.78	40.00	-16.22	QP
H	119.8555	13.66	10.60	24.26	43.50	-19.24	QP
H	177.5092	20.26	12.69	32.95	43.50	-10.55	QP
H	217.5441	16.99	12.74	29.73	46.00	-16.27	QP
H	281.9946	20.99	14.09	35.08	46.00	-10.92	QP
H	601.4265	18.28	18.81	37.09	46.00	-8.91	QP

Remark:

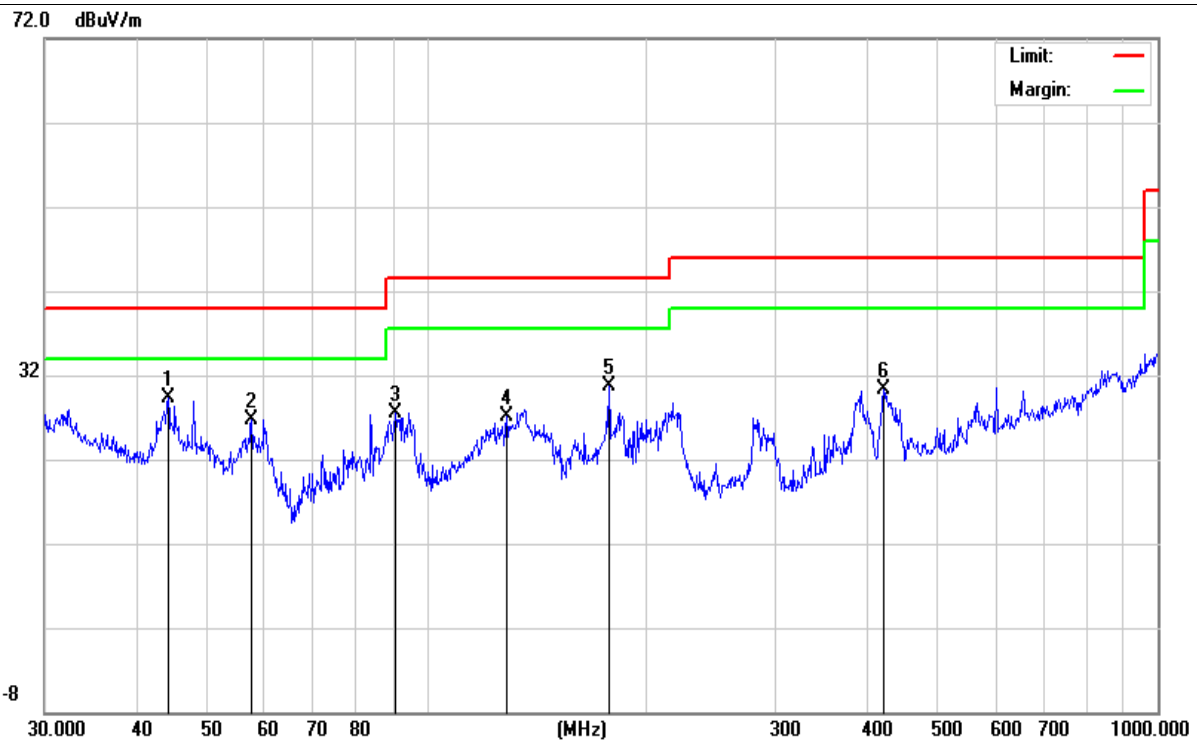
Factor = Antenna Factor + Cable Loss - Amplifier.



EUT:	Tablet PC	Model Name :	Acer One 10 SW110-1CT
Temperature:	25.4 °C	Relative Humidity:	39%
Pressure:	1010 hPa	Test Date :	2018-04-12
Test Mode :	Mode 1	Polarization :	Vertical
Test Power :	DC 5V from Adapter 2 AC120V/60Hz		

Polar (H/V)	Frequency	Meter Reading	Factor	Emission Level	Limits	Margin	Remark
	(MHz)	(dBuV)	(dB)	(dBuV/m)	(dBuV/m)	(dB)	
V	44.2752	15.16	14.20	29.36	40.00	-10.64	QP
V	57.5939	14.87	11.78	26.65	40.00	-13.35	QP
V	90.5374	15.72	11.80	27.52	43.50	-15.98	QP
V	128.5630	16.60	10.52	27.12	43.50	-16.38	QP
V	177.5092	17.92	12.69	30.61	43.50	-12.89	QP
V	422.0577	13.67	16.73	30.40	46.00	-15.60	QP

Remark:
Factor = Antenna Factor + Cable Loss - Amplifier.



3.2.5 TEST RESULTS (1000~6000MHz)

EUT:	Tablet PC	Model Name :	Acer One 10 SW110-1CT
Temperature:	25.4 °C	Relative Humidity:	39%
Pressure:	1010 hPa	Test Date :	2017-11-13
Test Mode :	Mode 1		
Test Power :	DC 5V from Adapter 1 AC120V/60Hz		

All the modulation modes have been tested, and the worst result was report as below:

Polar (H/V)	Frequency	Reading	Correct	Result	Limit	Over Limit	Remark
	(MHz)	(dBuV/m)	dB/m	(dBuV/m)	(dBuV/m)	(dB)	
V	1000	47.05	-11.9	35.15	74	-38.85	Pk
V	1317.76	46.63	-10.5	36.18	74	-37.82	Pk
V	2133.82	46.74	-6.02	40.72	74	-33.28	Pk
V	3091.97	37.23	-4.87	32.36	74	-41.64	Pk
V	3902.97	34.94	-0.6	34.34	74	-39.66	Pk
V	4944.37	37.55	4.87	42.42	74	-31.58	Pk
H	1087.86	44.48	-10.5	33.95	74	-40.05	Pk
H	2133.82	43.21	-6.02	37.19	74	-36.81	Pk
H	2821.95	36.99	-5.1	31.89	74	-42.11	Pk
H	3216.29	36.76	-4.04	32.72	74	-41.28	Pk
H	3698.71	35.79	-2.19	33.6	74	-40.4	Pk
H	4577.73	35.41	3.83	39.24	74	-34.76	Pk

Remark:

Absolute Level= ReadingLevel+ Factor, Margin= Absolute Level - Limit

Note: Only the worst results data points are reported in the report.

The worst results of PK is below the AV limit, so the AV data has no need to be reported.

EUT:	Tablet PC	Model Name :	Acer One 10 SW110-1CT
Temperature:	25.4 °C	Relative Humidity:	39%
Pressure:	1010 hPa	Test Date :	2018-04-12
Test Mode :	Mode 1		
Test Power :	DC 5V from Adapter 2 AC120V/60Hz		

All the modulation modes have been tested, and the worst result was report as below:

Polar (H/V)	Frequency	Reading	Correct	Result	Limit	Over Limit	Remark
	(MHz)	(dBuV/m)	dB/m	(dBuV/m)	(dBuV/m)	(dB)	
V	1001	48.62	-11.9	36.72	74	-37.28	Pk
V	1316.25	47.25	-10.5	36.8	74	-37.2	Pk
V	2253.82	45.22	-6.02	39.2	74	-34.8	Pk
V	3151.97	36.67	-4.87	31.8	74	-42.2	Pk
V	3802.97	34.26	-0.6	33.66	74	-40.34	Pk
V	4925.37	35.97	4.87	40.84	74	-33.16	Pk
H	1087.59	43.15	-10.5	32.62	74	-41.38	Pk
H	2245.82	42.19	-6.02	36.17	74	-37.83	Pk
H	2981.96	37.54	-5.1	32.44	74	-41.56	Pk
H	3227.25	37.52	-4.04	33.48	74	-40.52	Pk
H	3752.23	35.22	-2.19	33.03	74	-40.97	Pk
H	4557.71	36.14	3.83	39.97	74	-34.03	Pk

Remark:

Absolute Level= ReadingLevel+ Factor, Margin= Absolute Level - Limit

Note: Only the worst results data points are reported in the report.

The worst results of PK is below the AV limit, so the AV data has no need to be reported.