



FEASYCOM

FSC-BT986

5.0 Dual Mode

Bluetooth Module

Version 1.3

Copyright © 2013-2021 Feasycom Technology. All Rights Reserved.

Feasycom Technology reserves the right to make corrections, modifications, and other changes to its products, documentation and services at anytime. Customers should obtain the newest relevant information before placing orders. To minimize customer product risks, customers should provide adequate design and operating safeguards. Without written permission from Feasycom Technology, reproduction, transfer, distribution or storage of part or all of the contents in this document in any form is prohibited.

Revision History

Version	Date	Notes	
1.0	2021/04/21	Initial Version	Fish
1.1	2021/06/03	Update module picture	Fish
1.2	2021/06/08	Update transmit power	Fish
1.3	2021/08/25	Update transmit power	Devin Wan

Contact Us

Shenzhen Feasycom Technology Co.,LTD

Email: sales@feasycom.com

Address: Rm 508, Building A, Fenghuang Zhigu, No.50, Tiezai Road, Xixiang, Baoan District, Shenzhen, 518102, China

Tel: 86-755-27924639, 86-755-23062695

Contents

1. INTRODUCTION	4
2. GENERAL SPECIFICATION	5
3. HARDWARE SPECIFICATION	6
3.1 BLOCK DIAGRAM AND PIN DIAGRAM	6
3.2 PIN DEFINITION DESCRIPTIONS	7
4. PHYSICAL INTERFACE	8
4.1 POWER SUPPLY	8
4.2 RF INTERFACE	9
4.3 SERIAL INTERFACES	9
4.3.1 UART	9
4.3.2 I2C Interface	10
4.3.3 USB Device Controller	10
5. ELECTRICAL CHARACTERISTICS	11
5.1 ABSOLUTE MAXIMUM RATINGS	11
5.2 RECOMMENDED OPERATING CONDITIONS	11
5.3 RF CHARACTERISTICS	11
6. MSL & ESD	12
7. RECOMMENDED TEMPERATURE REFLOW PROFILE	12
8. MECHANICAL DETAILS	14
8.1 MECHANICAL DETAILS	14
8.2 HOST PCB LAND PATTERN AND ANTENNA KEEP-OUT FOR FSC-BT986	15
9. HARDWARE INTEGRATION SUGGESTIONS	15
9.1 SOLDERING RECOMMENDATIONS	15
9.2 LAYOUT GUIDELINES (INTERNAL ANTENNA)	16
9.3 LAYOUT GUIDELINES (EXTERNAL ANTENNA)	16
9.3.1 Antenna Connection and Grounding Plane Design	17
10. PRODUCT PACKAGING INFORMATION	18
10.1 DEFAULT PACKING	18
10.2 PACKING BOX (OPTIONAL)	19
11. APPLICATION SCHEMATIC	20

1. INTRODUCTION

Overview

FSC-BT986 is a high-performance, highly integrated Bluetooth 5.0 BR/EDR/BLE, designed to operate on the 2400MHz to 2480Mhz ISM frequency band.

Abundant peripherals, power-on reset (POR) and I2C/USB, arithmetic accelerators further reduce the cost and size of the entire system.

By default, Feasycom standard firmware is built-in, and customized firmware is also available. FSC-BT986 is a suitable product for designers who want to add wireless functions to their products.

Features

- Bluetooth 5.0 Classical/BLE Proprietary double-mode RF SOC
- UART programming and data interface (baudrate can up to 921600bps)
- I2C/USB interfaces
- Digital Peripherals
 - Two-wire Master (I2C compatible) , up to 400kbps
 - LED drive capability
 - AES256 HW encryption
 - USB2.0 fullspeed,4Eps, support host mode
- Dual Core Digital Architecture
 - ARM Cortex-M0 Core for application
 - CPU clock speed up to 192Mhz
- 2.4GHz Transceiver
 - Single-end RFIO
 - -95dBm in BLE mode
 - Support 250kbps, 1/2/3 Mbps data rates
 - Tx Power 0dBm
- Postage stamp sized form factor

- Working current is 5mA
- Support External Antenna
- RoHS compliant

Application

- Health Thermometer
- Heart Rate
- Blood Pressure
- Proximity

Module picture as below showing

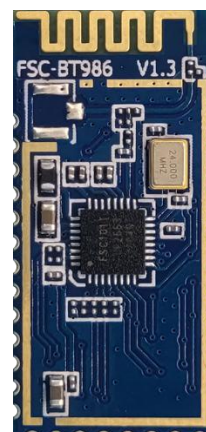


Figure 1: FSC-BT986 Picture

2. General Specification

Table 1: General Specifications

Categories	Features	Implementation
Wireless Specification	Bluetooth Version	Bluetooth v5.0 Dual mode
	Frequency	2.400 - 2.480 GHz
	Transmit Power	5dBm (Maximum)
	Receive Sensitivity	-95 dBm@0.1%BER (BLE mode)
	Modulation	GFSK, $\pi/4$ DQPSK, 8DPSK
	Raw Data Rates (Air)	3 Mbps
Host Interface and Peripherals	UART Interface	TX, RX, Supports Automatic Flow Control (CTS and RTS lines).
		General Purpose I/O
		Default 115200,N,8,1
	GPIO	Baudrate support from 1200 to 921600
		5, 6, 7, 8 data bit character
		8 (maximum – configurable) lines
Profiles	I2C Interface	1 (configurable from GPIO total). Up to 400 kbps
	Classic Bluetooth	Support
Maximum Connections	Bluetooth Low Energy	Support
	Classic Bluetooth	1 Clients
FW upgrade	Bluetooth Low Energy	1 Clients
Supply Voltage	Jlink	
Power Consumption	Supply	2.2V ~ 5.5V
Physical	Working current	5mA
	Dimensions	13mm X 26.9mm X 2.4mm; Pad Pitch 1.5mm
Environmental	Operating	-20°C to +85°C
	Storage	-30°C to +95°C
Miscellaneous	Lead Free	Lead-free and RoHS compliant
	Warranty	One Year
Humidity		10% ~ 90% non-condensing
MSL grade:		MSL 3
ESD grade:		Human Body Model: Class-2
		Machine Model: Class-B

3. HARDWARE SPECIFICATION

3.1 Block Diagram and PIN Diagram

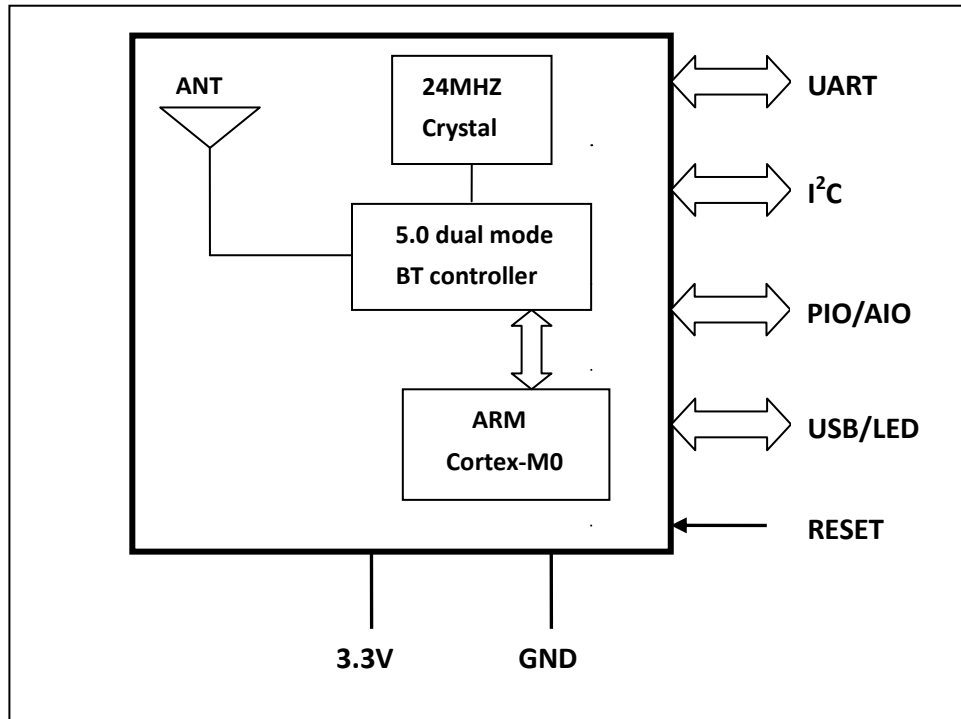


Figure 2: Block Diagram

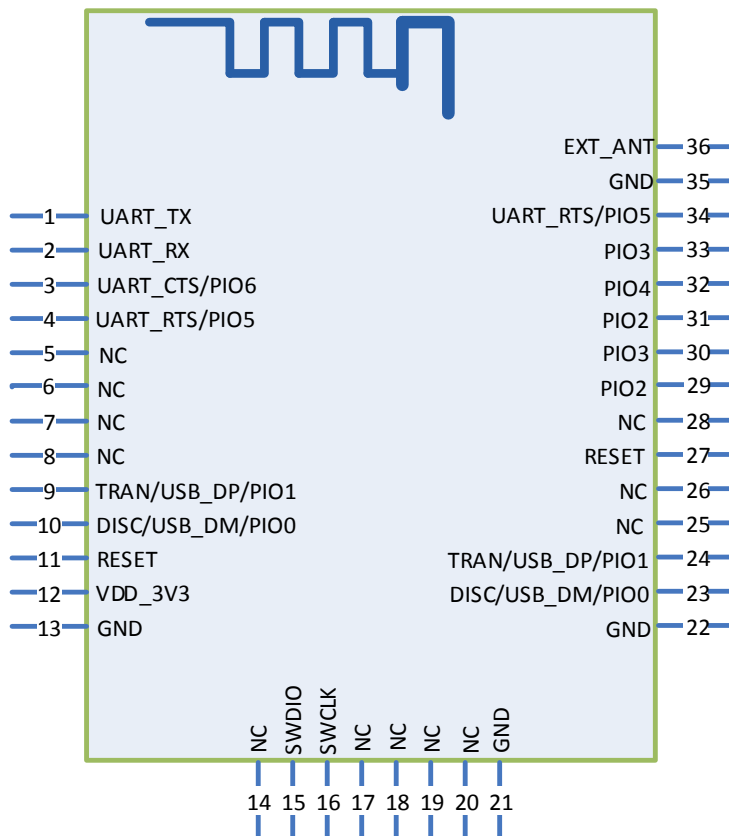


Figure 3: FSC-BT986 PIN Diagram(Top View)

3.2 PIN Definition Descriptions

Table 2: Pin definition

Pin	Pin Name	Type	Pin Descriptions
1	UART_TX	I/O	UART Data output
2	UART_RX	I/O	UART Data input
3	UART_CTS/PIO6	I/O	UART Clear to Send (active low) Alternative Function: Programmable input/output line
4,34	UART_RTS/PIO5	I/O	UART Request to Send (active low) Alternative Function: Programmable input/output line
5	NC		
6	NC		
7	NC		
8	NC		
9,24	Tran/USB_DP/PIO1	I/O	Host MCU change UART transmission mode. (Default) H = instruction mode L = throughput mode Alternative Function: Programmable input/output line Alternative Function: USB_DP
10,23	Disc/USB_DM/PIO0	I/O	Host MCU disconnect bluetooth. (Default) Alternative Function: Programmable input/output line

			Alternative Function: USB_DM
11,27	RESET	I	External reset input: Active LOW. Set this pin low reset to initial state
12	VDD_3V3	Vdd	Power supply voltage 3.3V
13	GND	Vss	Power Ground
14	NC		
15	SWDIO	I/O	Debugging through the data line
16	SWCLK	I/O	Debugging through the clk line
17	NC		
18	NC		
19	NC		
20	NC		
21	GND	Vss	Power Ground
22	GND	Vss	Power Ground
25	NC		
26	NC		
28	NC		
29,31	PIO2		Programmable input/output line Alternative Function: I2C_SCL
30,33	PIO3	I/O	BT Status(Default) Connected: High ; Not connected: low Alternative Function: Programmable input/output line Alternative Function: I2C_DAT
32	PIO4/LED	I/O	Programmable input/output line Alternative Function: LED(Default) Power On: Light Slow Shinning ; Connected: Steady Lighting.
35	GND	Vss	Power Ground
36	EXT_ANT	O	RF signal output . If you need to use an external antenna, you can shield the onboard antenna by modifying the module on the 0R resistor. Or contact Feasycom to modify.

4. PHYSICAL INTERFACE

4.1 Power Supply

The transient response of the regulator is important. If the power rails of the module are supplied from an external voltage source, the transient response of any regulator used should be 20μs or less. It is essential that the power rail recovers quickly.

4.2 RF Interface

For this module, the default mode of the antenna is internal antenna.

The user can connect the 50 ohm antenna directly to the RF port.

- 2402–2480 MHz
- TX output power of +5dBm.
- Receiver to achieve maximum sensitivity -95dBm @ 0.1% BLE

4.3 Serial Interfaces

4.3.1 UART

FSC-BT986 provides one channels of Universal Asynchronous Receiver/Transmitters(UART)(Full-duplex asynchronous communications). The UART Controller performs a serial-to-parallel conversion on data received from the peripheral and a parallel-to-serial conversion on data transmitted from the CPU. Each UART Controller channel supports ten types of interrupts.

This is a standard UART interface for communicating with other serial devices. The UART interface provides a simple mechanism for communicating with other serial devices using the RS232 protocol.

When the module is connected to another digital device, UART_RX and UART_TX transfer data between the two devices.

This module output is at 3.3V CMOS logic levels (tracks VCC). Level conversion must be added to interface with an RS-232 level compliant interface.

Table 3: Possible UART Settings

Parameter	Possible Values
Baudrate	Minimum 1200 baud ($\leq 2\%$ Error)
	Standard 115200bps($\leq 1\%$ Error)
	Maximum 921600bps($\leq 1\%$ Error)
Flow control	Supports Automatic Flow Control (CTS and RTS lines)
Parity	None, Odd or Even
Number of stop bits	1 /1.5/2
Bits per channel	5/6/7/8

When connecting the module to a host, please make sure to follow .

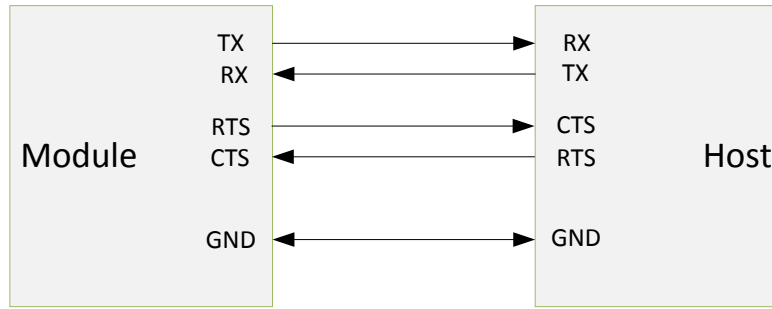


Figure 4: UART Connection

4.3.2 I2C Interface

I2C is a two-wire, bi-directional serial bus that provides a simple and efficient method of data exchange between devices. The I2C standard is a true multi-master bus including collision detection and arbitration that prevents data corruption if two or more masters attempt to control the bus simultaneously.

FSC-BT986 has I2C master which supports 100Kbps and 400Kbps.

Data is transferred between a Master and a Slave synchronously to SCL on the SDA line on a byte-by-byte basis. Each data byte is 8-bit long. There is one SCL clock pulse for each data bit with the MSB being transmitted first. An acknowledge bit follows each transferred byte. Each bit is sampled during the high period of SCL; therefore, the SDA line may be changed only during the low period of SCL and must be held stable during the high period of SCL. A transition on the SDA line while SCL is high is interpreted as a command (START or STOP). Please refer to the following figure for more details about I2C Bus Timing.

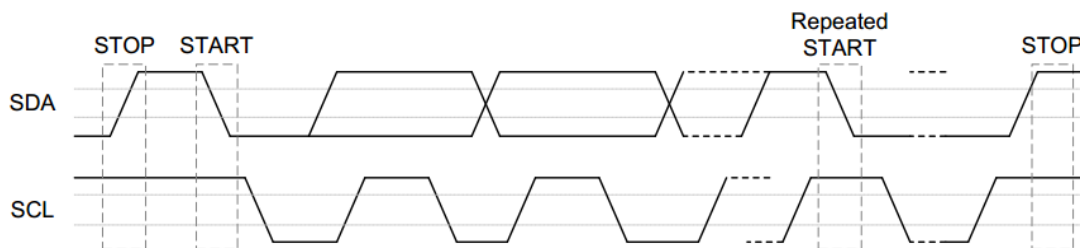


Figure 5: I2C Bus Timing

The device on-chip I2C logic provides the serial interface that meets the I2C bus standard mode specification. The I2C port handles byte transfers autonomously. The I2C H/W interfaces to the I2C bus via two pins: SDA and SCL. Pull up resistor is needed for I2C operation as these are open drain pins. When the I/O pins are used as I2C port, user must set the pins function to I2C in advance.

4.3.3 USB Device Controller

USB2.0 fullspeed, 4Eps, support host mode.

5. ELECTRICAL CHARACTERISTICS

5.1 Absolute Maximum Ratings

Absolute maximum ratings for supply voltage and voltages on digital and analogue pins of the module are listed below. Exceeding these values causes permanent damage.

The average PIO pin output current is defined as the average current value flowing through any one of the corresponding pins for a 100mS period. The total average PIO pin output current is defined as the average current value flowing through all of the corresponding pins for a 100mS period. The maximum output current is defined as the value of the peak current flowing through any one of the corresponding pins.

Table 4: Absolute Maximum Rating

Parameter	Min	Max	Unit
VDD_3V3 DC Power Supply	-0.3	+5.5	V
T _A - Operating Temperature	-20	+85	°C
T _{ST} - Storage Temperature	-30	+95	°C

5.2 Recommended Operating Conditions

Table 5: Recommended Operating Conditions

Parameter	Min	Type	Max	Unit
VDD_3V3 DC Power Supply	2.2	3.3	5.5	V
T _A - Operating Temperature	-20	25	+85	°C
T _{ST} - Storage Temperature	-30	25	+95	°C
V _{IH} High Level	VDD_3V3-0.3		VDD_3V3+0.3	V
V _{IL} Low Level	VSS		VSS+0.3	V
V _{OH} High Level	VDD_3V3-0.3		VDD_3V3+0.3	V
V _{OL} Low Level	VSS		VSS+0.3	V

5.3 RF characteristics

Table 6: Transmitter Characteristics

Parameter	Min	Type	Max	Unit
Operating Frequency	2400		2480	MHz
RF output power	-20	0	5	dBm
Out of band emission 2 MHz (GFSK)		-40		dBm
Out of band emission 3 MHz(GFSK)		-48		dBm
20dB bandwidth		0.9		MHz

Table 7: BLE Receiver Characteristics

Parameter	Min	Type	Max	Unit
High Gain mode, Sensitivity @0.1%		-95		dBm
Standard Gain mode, Sensitivity @0.1%		-92		dBm
Maximum Input Power		0		dBm

Co-channel C/I, Basic Rate, GFSK	7		dB
ACS C/I 1MHz, Basic Rate, GFSK	5.5	7	dB
ACS C/I 2MHz, Basic Rate, GFSK	-36	-34	dB
ACS C/I 3MHz, Basic Rate, GFSK	-43		dB
ACS C/I Image channel, Basic Rate, GFSK	-34		dB
C/I 1 MHz adjacent to image channel, Basic Rate, GFSK	-28		dB

Table 8: BT Receiver Characteristics

Parameter	Min	Type	Max	Unit
Basic Rate, GFSK, BER<0.1%, Dirty Tx on		-92		dBm
EDR, $\pi/4$ DQPSK, BER<0.01%, Dirty Tx on		-93		dBm
EDR, 8PSK, BER<0.01%, Dirty Tx on		-83		dBm
Maximum Input Power		0		dBm
Co-channel C/I, EDR, $\pi/4$ DQPSK		10.5		dB
ACS C/I 1MHz, EDR, $\pi/4$ DQPSK		-8		dB
ACS C/I 2MHz, EDR, $\pi/4$ DQPSK				dB
ACS C/I 3MHz, EDR, $\pi/4$ DQPSK		-54		dB
ACS C/I Image channel, EDR, $\pi/4$ DQPSK		-27		dB
C/I 1 MHz adjacent to image channel, EDR, $\pi/4$ DQPSK		-43		dB
Co-channel C/I, EDR, 8PSK		20		dB
ACS C/I 1MHz, EDR, 8PSK		0		dB
ACS C/I 2MHz, EDR, 8PSK		-20		dB
ACS C/I 3MHz, EDR, 8PSK		-45		dB
ACS C/I Image channel, EDR, 8PSK		-18		dB
C/I 1 MHz adjacent to image channel, EDR, 8PSK		-33		dB

6. MSL & ESD

Table 9: MSL and ESD

Parameter	Value
MSL grade:	MSL 3
ESD grade:	Human Body Model: Class-2 Machine Model: Class-B

7. RECOMMENDED TEMPERATURE REFLOW PROFILE

Prior to any reflow, it is important to ensure the modules were packaged to prevent moisture absorption. New packages contain desiccant (to absorb moisture) and a humidity indicator card to display the level maintained during storage and shipment. If directed to bake units on the card, please check the below **next table** and follow instructions specified by IPC/JEDEC J-STD-033.

Note: The shipping tray cannot be heated above 65°C. If baking is required at the higher temperatures displayed in the below **next table**, the modules must be removed from the shipping tray.

Any modules not manufactured before exceeding their floor life should be re-packaged with fresh desiccant and a new humidity indicator card. Floor life for MSL (Moisture Sensitivity Level) 3 devices is 168 hours in ambient environment 30°C/60%RH.

Table 10: Recommended baking times and temperatures

MSL	125°C Baking Temp.		90°C/≤ 5%RH Baking Temp.		40°C/ ≤ 5%RH Baking Temp.	
	Saturated @ 30°C/85%	Floor Life Limit + 72 hours @ 30°C/60%	Saturated @ 30°C/85%	Floor Life Limit + 72 hours @ 30°C/60%	Saturated @ 30°C/85%	Floor Life Limit + 72 hours @ 30°C/60%
3	9 hours	7 hours	33 hours	23 hours	13 days	9 days

Feasycom surface mount modules are designed to be easily manufactured, including reflow soldering to a PCB. Ultimately it is the responsibility of the customer to choose the appropriate solder paste and to ensure oven temperatures during reflow meet the requirements of the solder paste. Feasycom surface mount modules conform to J-STD-020D1 standards for reflow temperatures.

The soldering profile depends on various parameters necessitating a set up for each application. The data here is given only for guidance on solder reflow.

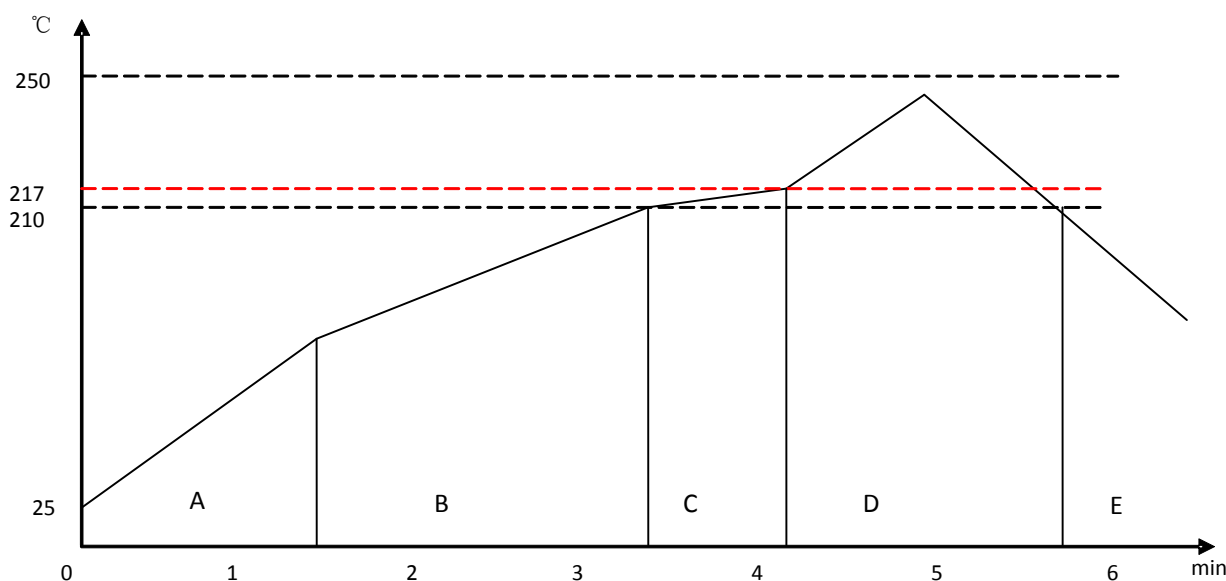


Figure 6: Typical Lead-free Re-flow

Pre-heat zone (A) — This zone raises the temperature at a controlled rate, typically 0.5 – 2 °C/s. The purpose of this zone is to preheat the PCB board and components to 120 ~ 150 °C. This stage is required to distribute the heat uniformly to the PCB board and completely remove solvent to reduce the heat shock to components.

Equilibrium Zone 1 (B) — In this stage the flux becomes soft and uniformly encapsulates solder particles and spread over PCB board, preventing them from being re-oxidized. Also with elevation of temperature and liquefaction of flux, each activator and rosin get activated and start eliminating oxide film formed on the surface of each solder particle and PCB board. **The temperature is recommended to be 150° to 210° for 60 to 120 second for this zone.**

Equilibrium Zone 2 (C) (optional) — In order to resolve the upright component issue, it is recommended to keep the temperature in 210 – 217 ° for about 20 to 30 second.

Reflow Zone (D) — The profile in the figure is designed for Sn/Ag3.0/Cu0.5. It can be a reference for other lead-free solder. The peak temperature should be high enough to achieve good wetting but not so high as to cause component discoloration or damage. Excessive soldering time can lead to intermetallic growth which can result in a brittle joint. The recommended peak temperature (Tp) is 230 ~ 250 °C. The soldering time should be 30 to 90 second when the

temperature is above 217 °C.

Cooling Zone (E) — The cooling ate should be fast, to keep the solder grains small which will give a longer-lasting joint.
Typical cooling rate should be 4 °C.

8. MECHANICAL DETAILS

8.1 Mechanical Details

- Dimension: 13mm(W) x 26.9mm(L) x 2.0mm(H) Tolerance: ±0.1mm
- Module size: 13mm X 26.9mm Tolerance: ±0.2mm
- Pad size: 1mmX0.8mm Tolerance: ±0.2mm
- Pad pitch: 1.5mm Tolerance: ±0.1mm

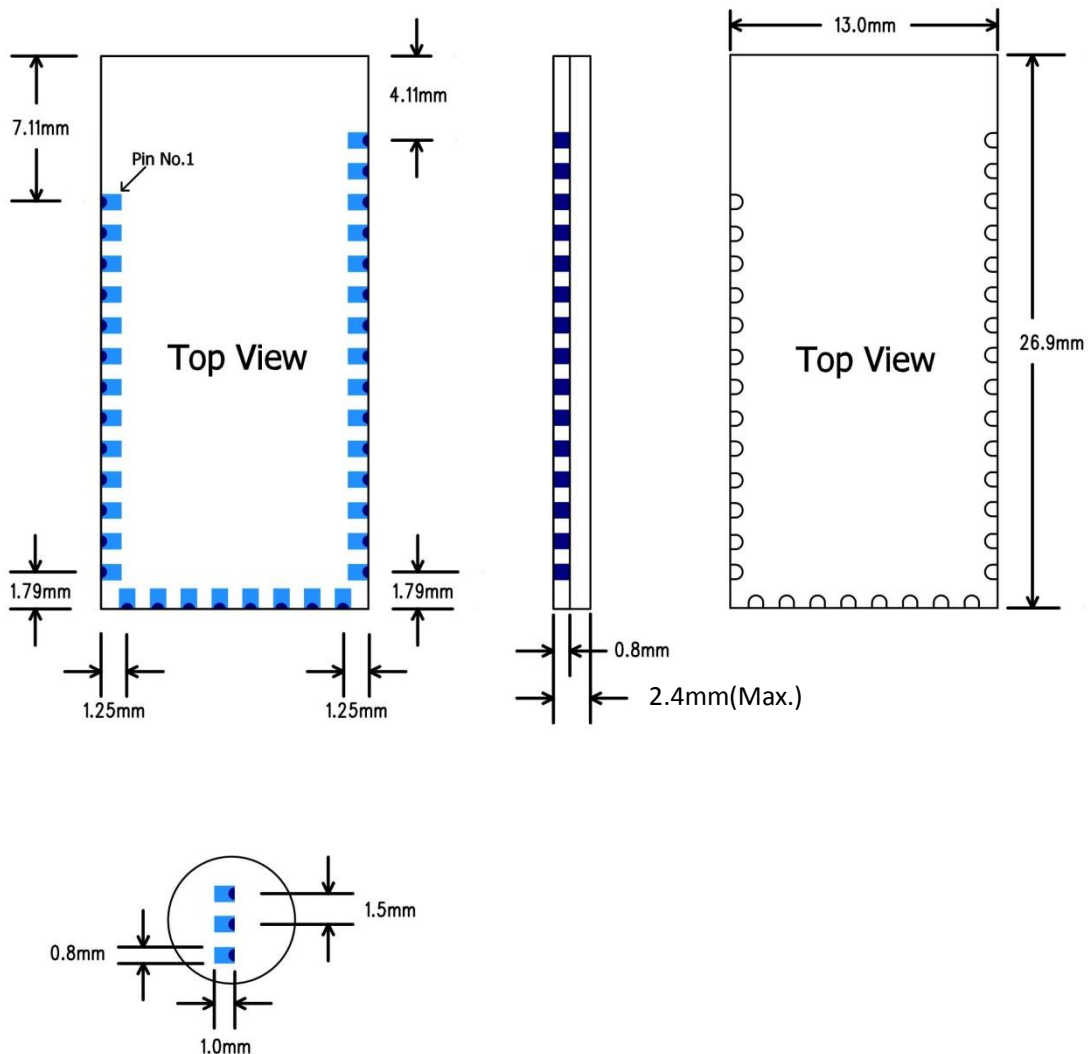


Figure 7: FSC-BT986 footprint

8.2 Host PCB Land Pattern and Antenna Keep-out for FSC-BT986

Please check the picture below for Pad Structure and Keep Out Area:

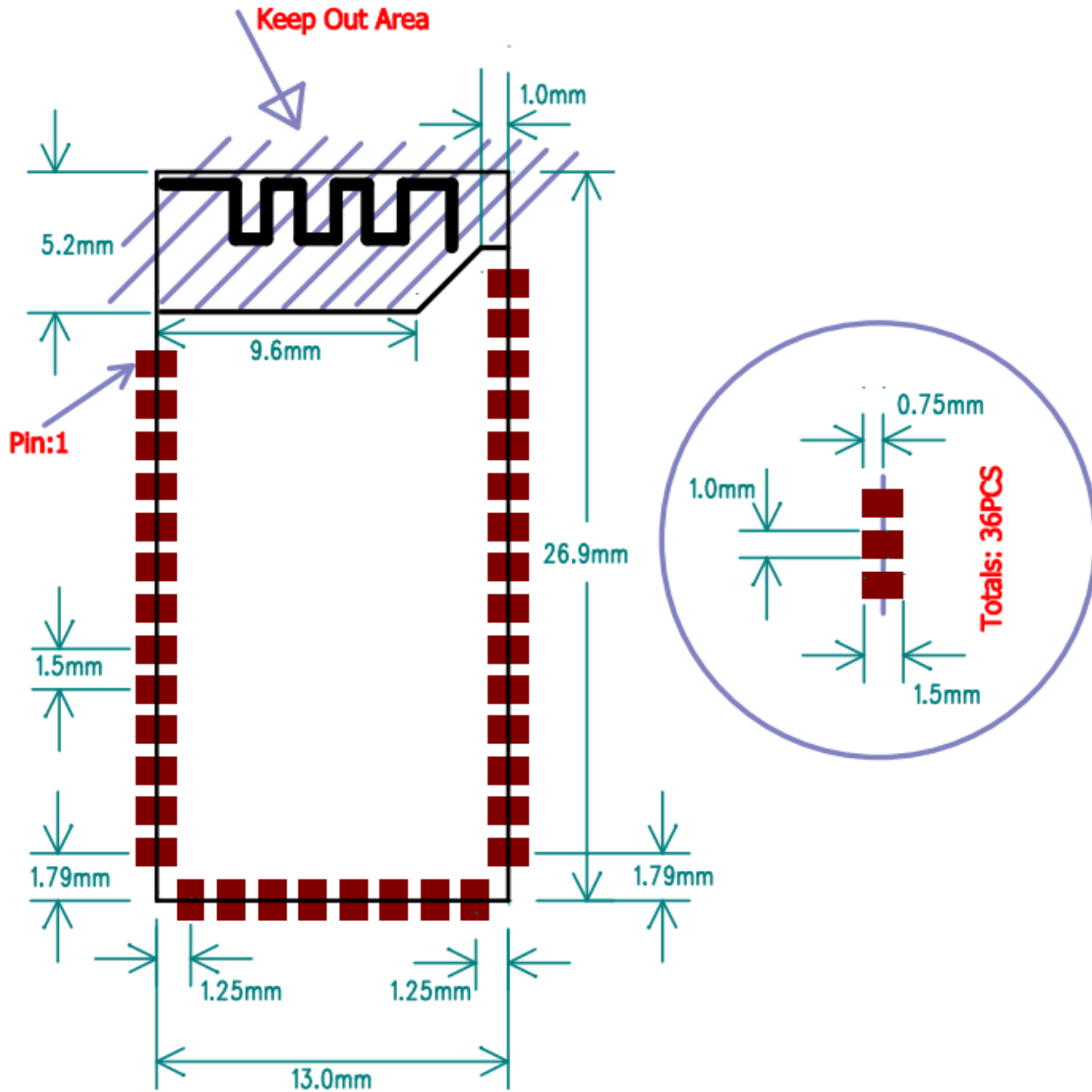


Figure 8: Host PCB-Top View

9. HARDWARE INTEGRATION SUGGESTIONS

9.1 Soldering Recommendations

FSC-BT986 is compatible with industrial standard reflow profile for Pb-free solders. The reflow profile used is dependent on the thermal mass of the entire populated PCB, heat transfer efficiency of the oven and particular type of solder paste used. Consult the datasheet of particular solder paste for profile configurations.

Feasycom will give following recommendations for soldering the module to ensure reliable solder joint and operation of the module after soldering. Since the profile used is process and layout dependent, the optimum profile should be studied case by case. Thus following recommendation should be taken as a starting point guide.

9.2 Layout Guidelines(Internal Antenna)

It is strongly recommended to use good layout practices to ensure proper operation of the module. Placing copper or any metal near antenna deteriorates its operation by having effect on the matching properties. Metal shield around the antenna will prevent the radiation and thus metal case should not be used with the module. Use grounding vias separated max 3 mm apart at the edge of grounding areas to prevent RF penetrating inside the PCB and causing an unintentional resonator. Use GND vias all around the PCB edges.

The mother board should have no bare conductors or vias in this restricted area, because it is not covered by stop mask print. Also no copper (planes, traces or vias) are allowed in this area, because of mismatching the on-board antenna.

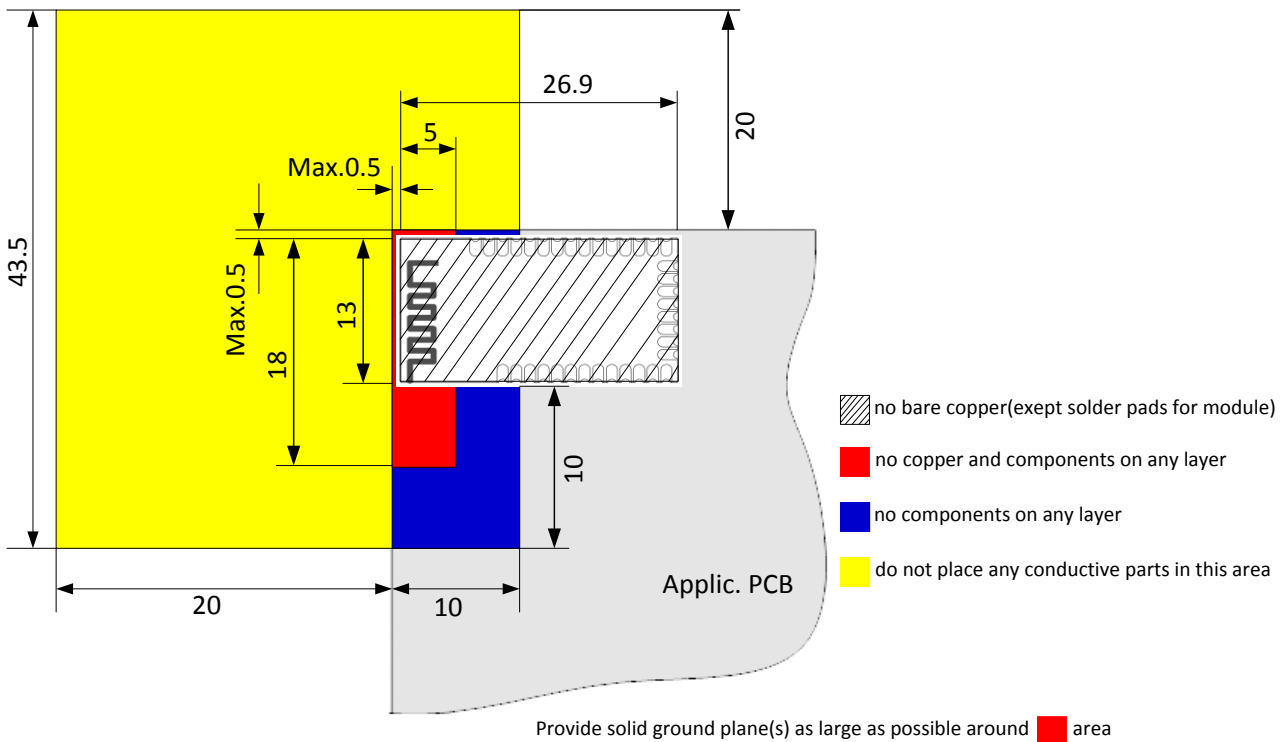


Figure 9: FSC-BT986 Restricted Area

Following recommendations helps to avoid EMC problems arising in the design. Note that each design is unique and the following list do not consider all basic design rules such as avoiding capacitive coupling between signal lines. Following list is aimed to avoid EMC problems caused by RF part of the module. Use good consideration to avoid problems arising from digital signals in the design.

Ensure that signal lines have return paths as short as possible. For example if a signal goes to an inner layer through a via, always use ground vias around it. Locate them tightly and symmetrically around the signal vias. Routing of any sensitive signals should be done in the inner layers of the PCB. Sensitive traces should have a ground area above and under the line. If this is not possible, make sure that the return path is short by other means (for example using a ground line next to the signal line).

9.3 Layout Guidelines(External Antenna)

Placement and PCB layout are critical to optimize the performances of a module without on-board antenna designs. The trace from the antenna port of the module to an external antenna should be 50Ω and must be as short as possible to avoid any interference into the transceiver of the module. The location of the external antenna and RF-IN port of the module should be kept away from any noise sources and digital traces. A matching network might be needed in between the external antenna and RF-IN port to better match the impedance to minimize the return loss.

As indicated in below, RF critical circuits of the module should be clearly separated from any digital circuits on the system board. All RF circuits in the module are close to the antenna port. The module, then, should be placed in this way that module digital part towards your digital section of the system PCB.

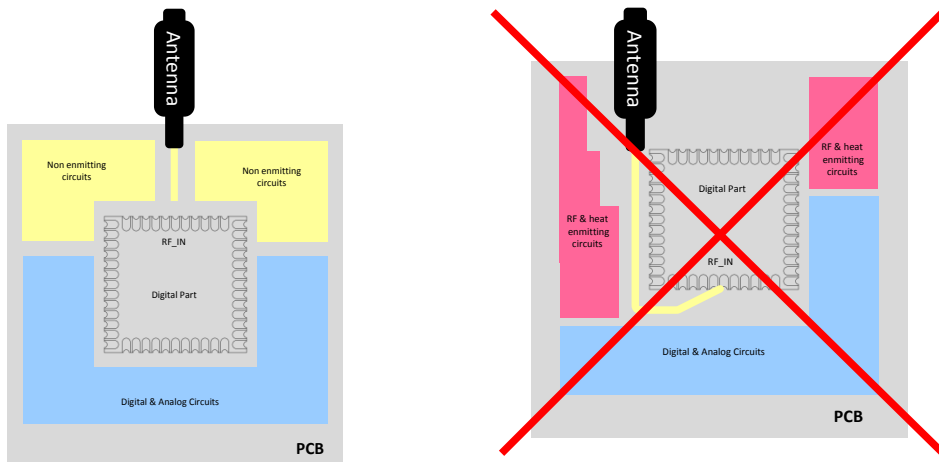


Figure 10: Placement the Module on a System Board

9.3.1 Antenna Connection and Grounding Plane Design

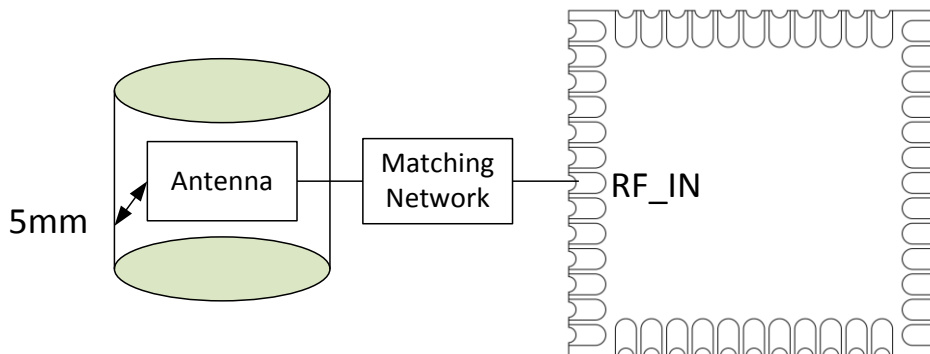


Figure 11: Leave 5mm Clearance Space from the Antenna

General design recommendations are:

- The length of the trace or connection line should be kept as short as possible.
- Distance between connection and ground area on the top layer should at least be as large as the dielectric thickness.
- Routing the RF close to digital sections of the system board should be avoided.
- To reduce signal reflections, sharp angles in the routing of the micro strip line should be avoided. Chamfers or fillets are preferred for rectangular routing; 45-degree routing is preferred over Manhattan style 90-degree routing.

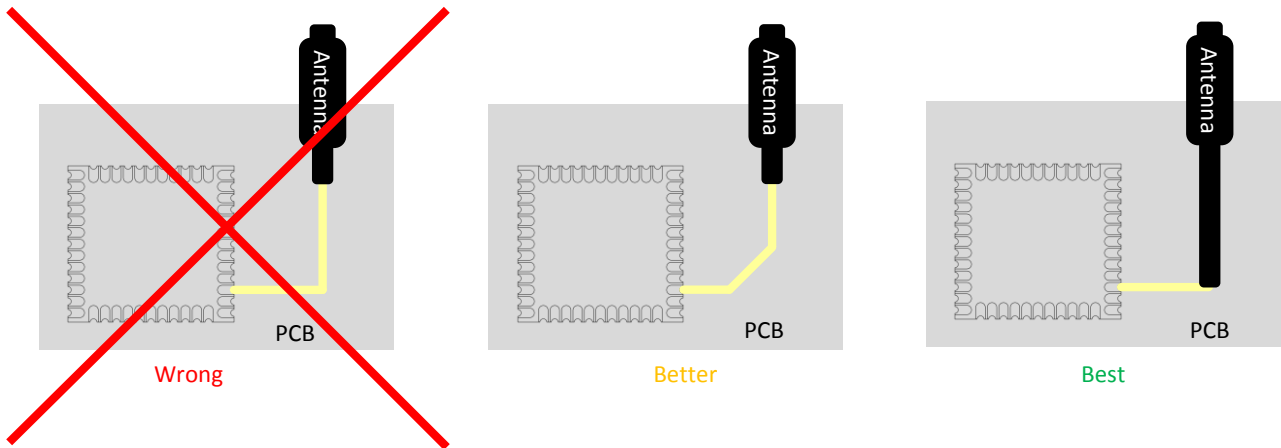


Figure 12: Recommended Trace Connects Antenna and the Module

- Routing of the RF-connection underneath the module should be avoided. The distance of the micro strip line to the ground plane on the bottom side of the receiver is very small and has huge tolerances. Therefore, the impedance of this part of the trace cannot be controlled.
- Use as many vias as possible to connect the ground planes.

10. PRODUCT PACKAGING INFORMATION

10.1 Default Packing

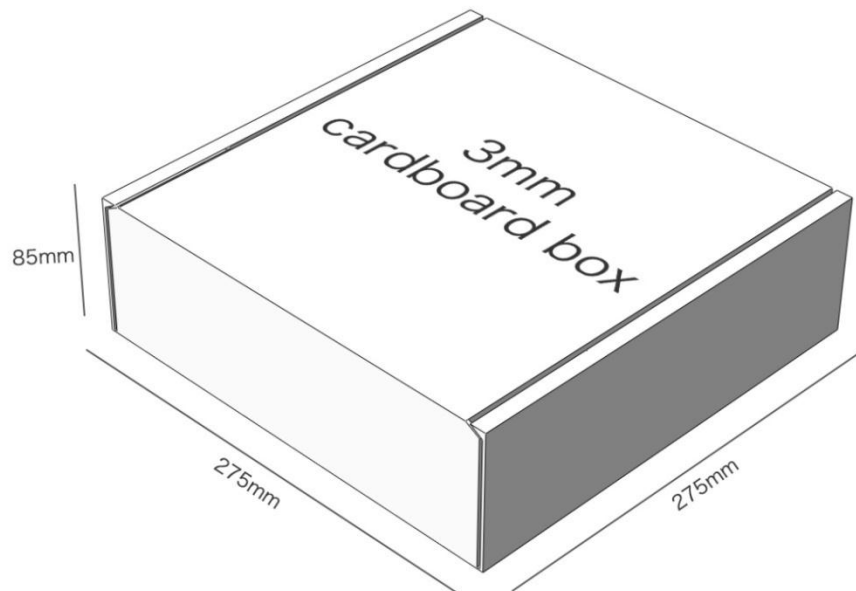
- Tray vacuum
- Tray Dimension: 180mm * 195mm





Figure 13: Tray vacuum

10.2 Packing box(Optional)



* If require any other packing, must be confirmed with customer

* Package: 1000PCS Per Carton (Min Carton Package)

Figure 14: Packing Box

11. APPLICATION SCHEMATIC

NOTE: FCC Warning

Integration instructions for host product manufacturers according to KDB 996369 D03 OEM Manual v01

2.2 List of applicable FCC rules

FCC Part 15.247

2.3 Specific operational use conditions

This transmitter/module and its antenna(s) must not be co-located or operating in conjunction with any transmitter. This information also extends to the host manufacturer's instruction manual.

2.4 Limited module procedures

Not applicable

2.5 Trace antenna designs

It is “not applicable” as trace antenna which is not used on the module.

2.6 RF exposure considerations

This equipment complies with FCC RF radiation exposure limits set forth for an uncontrolled environment.

2.7 Antennas

PCB Antenna; 2dBi; 2.402 GHz~2.480GHz

2.8 Label and compliance information

The end product must carry a physical label or shall use e-labeling followed KDB784748D01 and KDB 784748 stating “Contains Transmitter Module FCC ID: 2AMWOFSC-BT986”.

2.9 Information on test modes and additional testing requirements

For more information on testing, please contact the manufacturer.

2.10 Additional testing, Part 15 Subpart B disclaimer

The modular transmitter is only FCC authorized for the specific rule parts (FCC Part 15.247) listed on the grant, and that the host product manufacturer is responsible for compliance to any other FCC rules that apply to the host not covered by the modular transmitter grant of certification. The final host product still requires Part 15 Subpart B compliance testing with the modular transmitter installed when contains digital circuitry.

FCC Statements

(OEM) Integrator has to assure compliance of the entire end-product incl. the integrated RF Module. For 15 B (§15.107 and if applicable §15.109) compliance, the host manufacturer is required to show compliance with 15 while the module is installed and operating.

Furthermore the module should be transmitting and the evaluation should confirm that the module's intentional emissions (15C) are compliant (fundamental / out-of-band). Finally the integrator has to apply the appropriate equipment authorization (e.g. Verification) for the new host device per definition in §15.101.

Integrator is reminded to assure that these installation instructions will not be made available to the end-user of the final host device.

The final host device, into which this RF Module is integrated" has to be labeled with an auxiliary label stating the FCC ID of the RF Module, such as "Contains FCC ID: 2AMWOFSC-BT986

"This device complies with part 15 of the FCC rules. Operation is subject to the following two conditions:

- (1) this device may not cause harmful interference, and
- (2) this device must accept any interference received, including interference that may cause undesired operation."

"Changes or modifications to this unit not expressly approved by the party responsible for compliance could void the user's authority to operate the equipment."

The Integrator will be responsible to satisfy SAR/ RF Exposure requirements, when the module integrated into the host device.

Module statement

The single-modular transmitter is a self-contained, physically delineated, component for which compliance can be demonstrated independent of the host operating conditions, and which complies with all eight requirements of § 15.212(a)(1) as summarized below.

- 1) The radio elements have the radio frequency circuitry shielded.
- 2) The module has buffered modulation/data inputs to ensure that the device will comply with Part 15 requirements with any type of input signal.
- 3) The module contains power supply regulation on the module.
- 4) The module contains a permanently attached antenna.
- 5) The module demonstrates compliance in a stand-alone configuration.
- 6) The module is labeled with its permanently affixed FCC ID label.
- 7) The module complies with all specific rules applicable to the transmitter, including all the conditions provided

in the integration instructions by the grantee.

8) The module complies with RF exposure requirements.

NOTE: This equipment has been tested and found to comply with the limits for a Class B digital device, pursuant to part 15 of the FCC Rules. These limits are designed to provide reasonable protection against harmful interference in a residential installation. This equipment generates uses and can radiate radio frequency energy and, if not installed and used in accordance with the instructions, may cause harmful interference to radio communications. However, there is no guarantee that interference will not occur in a particular installation. If this equipment does cause harmful interference to radio or television reception, which can be determined by turning the equipment off and on, the user is encouraged to try to correct the interference by one or more of the following measures:

- Reorient or relocate the receiving antenna.
- Increase the separation between the equipment and receiver.
- Connect the equipment into an outlet on a circuit different from that to which the receiver is connected.
- Consult the dealer or an experienced radio/TV technician for help

IC Statements

The final host device, into which this RF Module is integrated" has to be labeled with an auxiliary label stating the IC of the RF Module, such as" Contains transmitter module IC: 23872-FSCBT986

Le périphériquehôte final, danslequelce module RF estintégré "doitêtreétiqueté avec uneétiquetteauxiliaireindiquant le CI du module RF, tel que" Contient le module émetteur IC: 23872-FSCBT986

This device contains licence-exempt transmitter(s)/receiver(s) that comply with Innovation, Science and Economic Development Canada's licence-exempt RSS(s). Operation is subject to the following two conditions:

- (1) This device may not cause interference.
- (2) This device must accept any interference, including interference that may cause undesired operation of the device.

L'émetteur/récepteur exempt de licencecontenudans le présentappareilestconforme aux CNR d'Innovation, Sciences et Développementéconomique Canada applicables aux appareils radio exempts de licence. L'exploitationestautorisée aux deux conditions suivantes :

- (1) L' appareil ne doit pas produire de brouillage;
- (2) L' appareil doit accepter tout brouillageradioélectriquesubi, même si le brouillageest susceptible d' encompromettre le fonctionnement.