

Bluetooth antenna specification

Model: FSC-Metal antenna_K

1, Index

Item	Content	Page	Remark
1	Index	1	
2	Spec Drawing	2	
3	Specification	3	
4	Return Loss	3	
5	Radiation Pattern	4,5	

Document Type: 2.4GHZ Metal antenna
Document Version: V1.0
Release Date: 2022-12-14

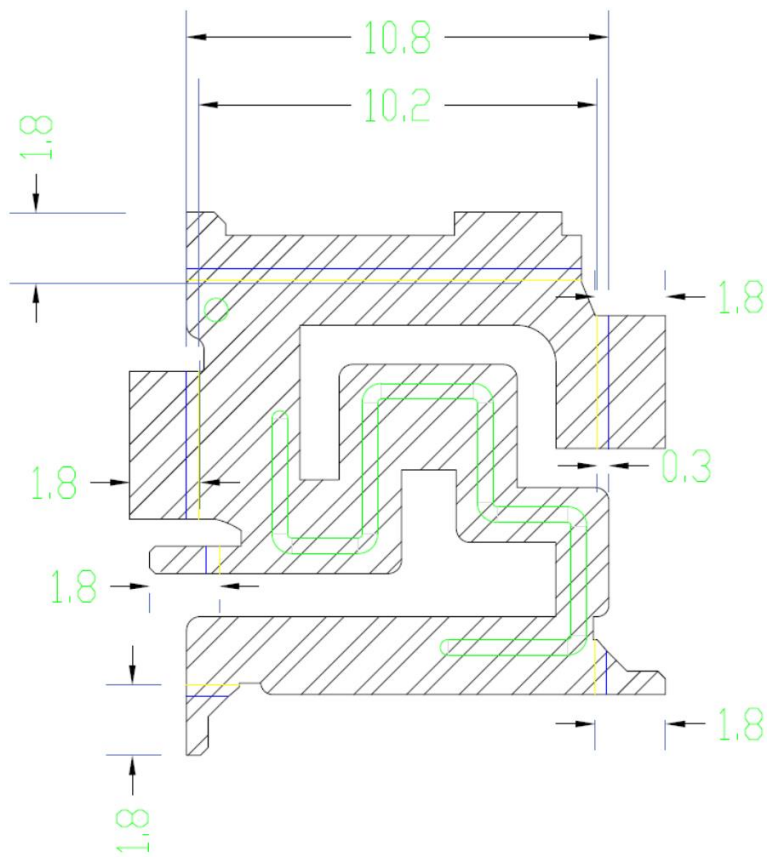
Shenzhen Feasycom Co., LTD

Telephone: 86-755-27924639

www.feasycom.com

2, Spec Drawing

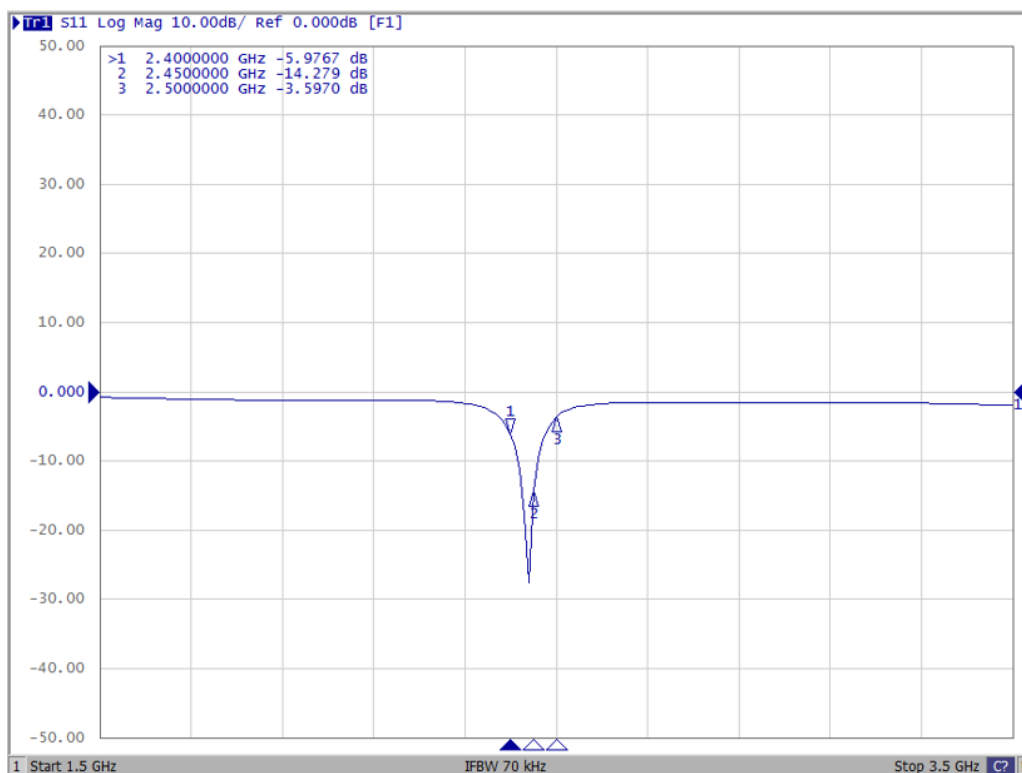
Unit: mm



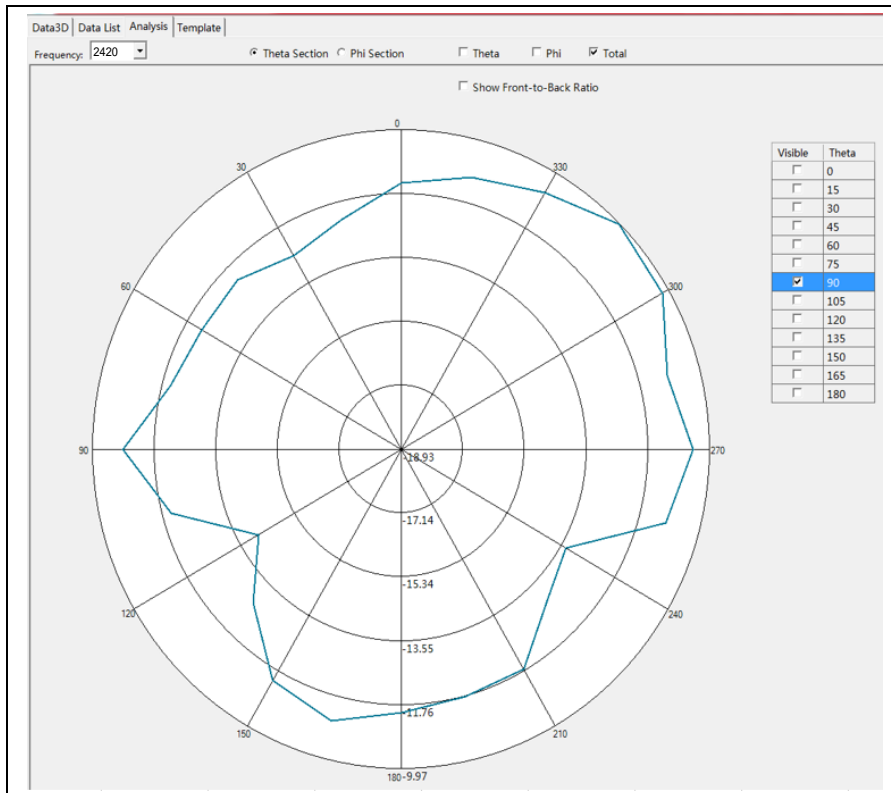
3, Specification

A. Electrical Characteristics	
Frequency	2400 ~ 2500 MHz
S.W.R.	≤ 2.0
Gain	-8.35 dBi
Efficiency	~ 7.4%
Polarization	Linear
Impedance	50 Ohm
B. Environmental	
Operation Temperature	- 40°C ~ + 85°C
Storage Temperature	- 40°C ~ + 105°C

4, Return Loss

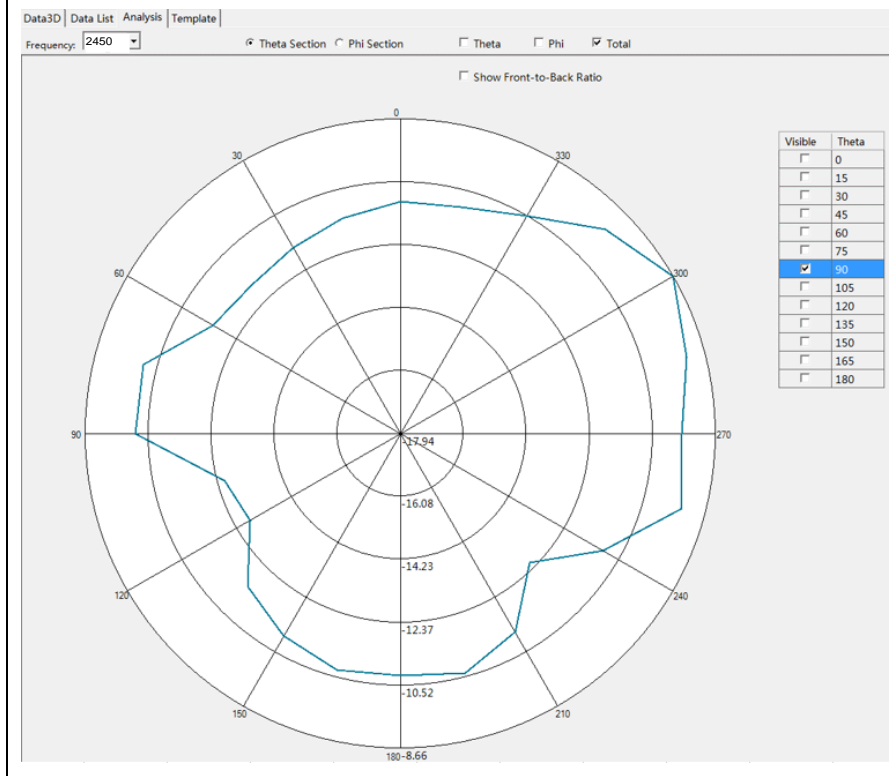


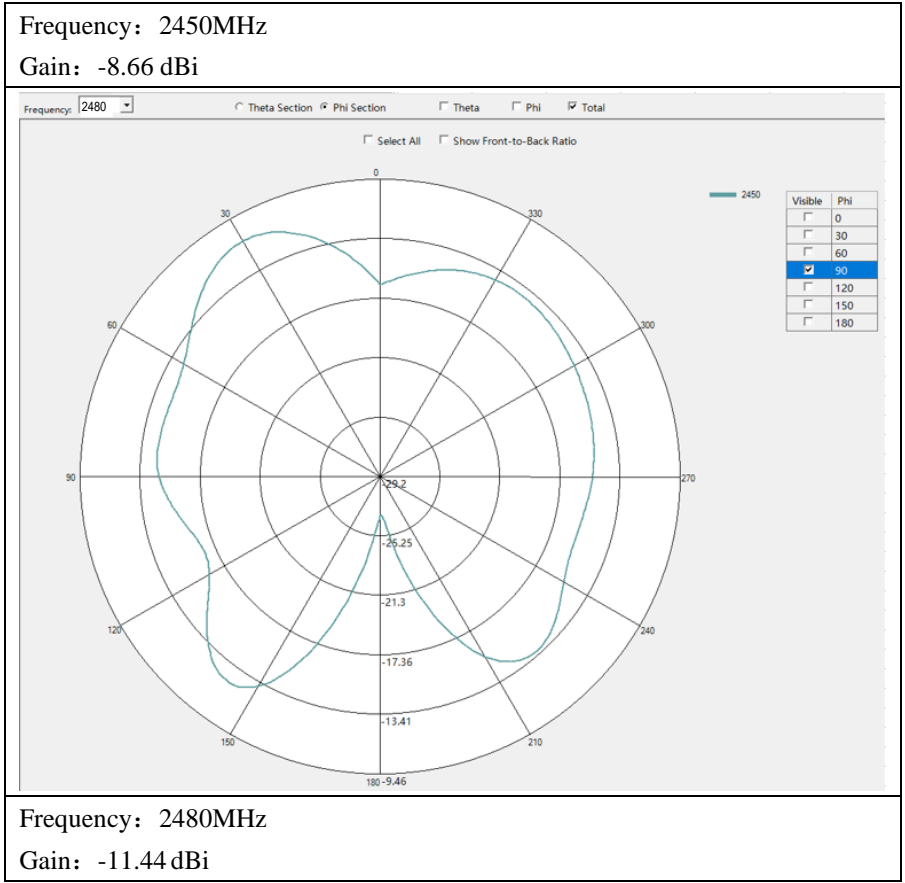
5, Radiation Pattern



Frequency: 2420MHz

Gain: -9.97 dBi





Test Result:

Frequency VNA	E Total. dB(dB)	Efficiency
2400MHz	-10.60	4.66
2410MHz	-9.40	5.80
2420MHz	-9.97	5.92
2430MHz	-8.37	7.23
2440MHz	-8.35	7.39
2450MHz	-8.66	7.04
2460MHz	-8.96	6.61
2470MHz	-9.40	6.00
2480MHz	-11.44	4.86
2490MHz	-11.01	4.27
2500MHz	-11.59	3.63