

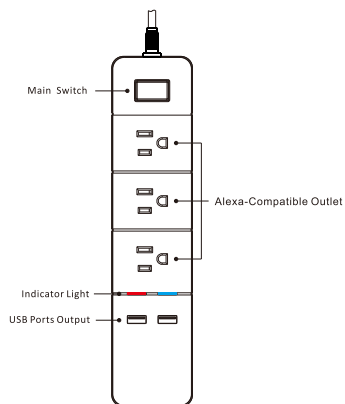
## Smart Wi-Fi Surge Protector

MSS425

# User Manual

### ● PRODUCT OVERVIEW

This product is a three jack + 2 USB multifunction Wi-Fi smart Power Outlets, can use Wi-Fi connection to the Internet, mobile phones can realize intelligent remote control of home appliances products. Has the protection against electric shock, USB charging, timing tasks, real-time two-way feedback and intelligence, and other functions.



### ● THE PREPARATORY WORK

1.Scan the QR code, download and install 'Smart Life' in your phone. You can also Download 'Smart Life' App from App Store or Google Play and install it in your phone.

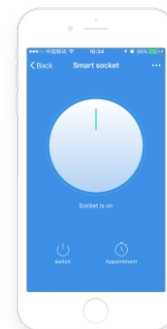


2.Make sure your phone is connected to your home Wi-Fi network (2.4GHz) .  
3.Plug the Wi-Fi smart outlets into power socket, You can see the red LED in a flash state, if there is no flash or reconfigure, please long press button about 5 seconds to restore the factory Settings.

### ● ADD DEVICES TO SMART LIFE APP

1.Open the 'Smart Life' App, click '+', select 'Electrical outlet', then enter the mobile phone is connected Wi-Fi password configured.  
2.After the success of the device configuration, jump to device control interface, click '.', Can manage the device, such as: modify the name,

check the firmware update and restore factory Settings, and so on.  
3.Into the 'Scenes' page, click on the top right corner '+' can add scene. Enter the scene name, and then add needs to perform a single or multiple tasks, can be a key management device after save.



4.Enter 'Profile', select 'Device Sharing', you can share device to family members or friends, at the same time also can accept other users to share device.

**FCC Warning:**  
This equipment has been tested and found to comply with the limits for a Class B digital device, pursuant to part 15 of the FCC Rules. These limits are designed to provide reasonable protection against harmful interference in a residential installation. This equipment generates, uses and can radiate radio frequency energy and, if not installed and used in accordance with the instructions, may cause harmful interference to radio communications. However, there is no guarantee that interference will not occur in a particular installation. If this equipment does cause harmful interference to radio or television reception, which can be determined by turning the equipment off and on, the user is encouraged to try to correct the interference by one or more of the following measures:

- o Reorient or relocate the receiving antenna.
- o Increase the separation between the equipment and receiver.
- o Connect the equipment into an outlet on a circuit different from that to which the receiver is connected.
- o Consult the dealer or an experienced radio/TV technician for help.

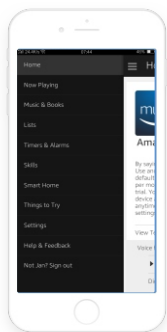
**Caution:** Any changes or modifications to this device not explicitly approved by manufacturer could void your authority to operate this equipment.

This device complies with part 15 of the FCC Rules. Operation is subject to the following two conditions: (1) This device may not cause harmful interference, and (2) this device must accept any interference received, including interference that may cause undesired operation.

To comply with FCC RF exposure compliance requirements, this grant is applicable to only mobile configurations. The antennas used for this transmitter must be installed to provide a separation distance of at least 20 cm from all persons and must not be co-located or operating in conjunction with any other antenna or transmitter.

### ● ADD SKILLS

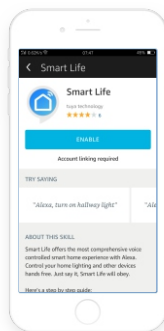
1.To enable Alexa Voice control to your Smart Outlets, open your Alexa App, click 'Home', then select 'skills' to enter the Alexa Skills page.



2.Search 'Smart Life', then click 'Enable' to activate and bound your Smart Life App with your Alexa App.

#### Note:

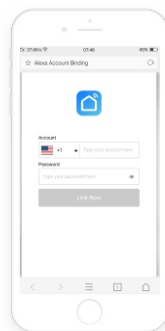
If you have previously bound, you can click 'Disable Skill' to unbind, and then click 'Enable Skill' in the figure above to continue to bind the new Smart Life account.



3.Login to your Smart Life App account that has been registered previously.  
4.You have now successfully activated and bound your Smart Life App to your Alexa skills.

#### Note:

(1)Please make sure that the Wi-Fi network address of your Alexa App is identical with the Wi-Fi network address of the Smart Life App.  
(2)Ensure that the Wi-Fi network operates accordingly, connection error may occur if the network is unstable.



### ● SPEECH CONTROL DEVICE

Command your Echo device by saying: "Alexa, discover my devices". Your Echo will automatically scan the devices that have been previously linked with the Smart Life App, this process will take around 20 seconds; your Alexa Echo will show you the available result.

You can now start controlling your device using Alexa, you can give commands such by saying: "Alexa, turn on/off Smart socket".

You can also find the available devices by selecting 'Discover Devices' on your Alexa App.

#### Create a group

1.Click 'Create group' to organize your device according to your operation habits.  
2.Name the group's name and select the devices of your choice, then click 'Save'.

You can create a group for a specified devices of your choice, once put them in groups, you can control the devices that's within a group with just one single command instead of individual commands.

### ● STATUS INDICATION

#### 1.LED State

Red flash: waiting for the configuration.  
Red normally on: configuration successfully.  
The socket is connected Wi-Fi.  
Red normally off: socket is not connected Wi-Fi.  
Blue normally on: at least one jack power.  
Blue normally off: all jack without power.

#### 2.Button State

Short press: All jack ON or OFF.  
Long press: restore factory Settings and waiting for the configuration.

### ● BASIC PARAMETERS

Input voltage: 100-240VAC, 50/60Hz, 15A Max  
USB output:DC 5V/2.1A for each port