

# LEGENDS ULTIMATE MINI

## INSTRUCTION MANUAL



**ATGAMES**

CLAIM YOUR

**\$40 VALUE!**

Register now to redeem your prepaid  
**ArcadeNet** subscription and other  
amazing free benefits!



Visit E-Store  
([www.atgames.us](http://www.atgames.us)) for full  
access to expansion  
accessories and game  
packs options.

**ATGAMES**

[www.atgames.net](http://www.atgames.net)

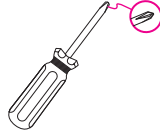
# INDEX

---

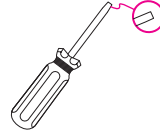
<b>ASSEMBLY GUIDE</b>	<b>P 2</b>
<b>LEGENDS ULTIMATE MINI FEATURES</b>	<b>P 15</b>
<b>QUICK START GUIDE/GUIDE DE DÉMARRAGE RAPIDE</b>	<b>P 16</b>
<b>HOW TO UPDATE FIRMWARE</b>	<b>P 17</b>
<b>HOW TO REGISTER/SIGN IN YOUR LEGENDS ACCOUNT</b>	<b>P 17</b>
<b>HOW TO CONNECT ATGAMES BLAST! DONGLES AND CONSOLES TO LEGENDS ULTIMATE MINI</b>	<b>P 18</b>
<b>WHEN TO SAFELY POWER OFF ARCADE</b>	<b>P 19</b>
<b>WARRANTY INFO</b>	<b>P 19</b>
<b>FEATURED GAMES</b>	<b>P 20</b>
<b>SAFETY NOTICE, FCC STATEMENT</b>	<b>P 21</b>
<b>ISED STATEMENT</b>	<b>P 23</b>

# ASSEMBLY GUIDE

- **TOOLS NEEDED**  
(NOT INCLUDED)

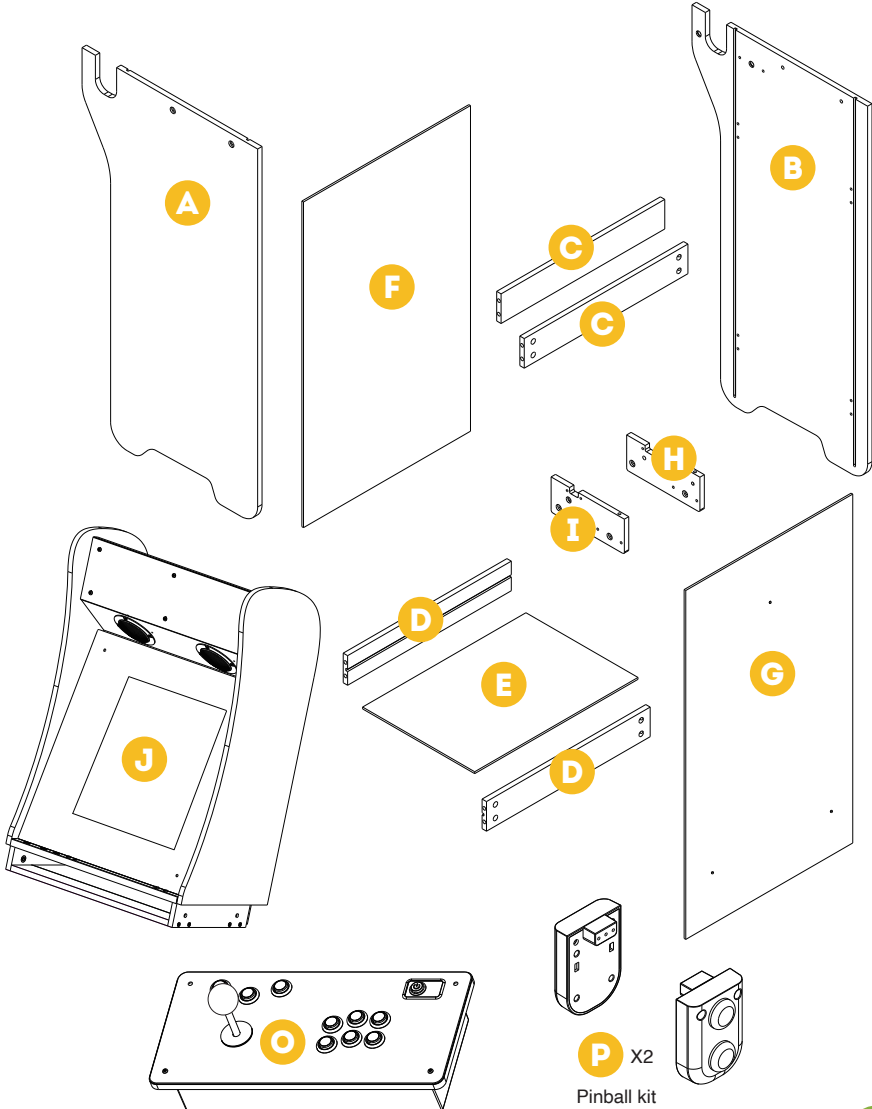


Phillips head screwdriver



Straight head screwdriver

## PARTS

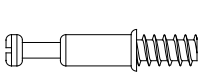


## ASSEMBLY GUIDE

---

### SCREWS

---



**S1** X16



**S2** X16



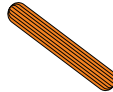
**S3** X3



**S4** X2



**S5** X10



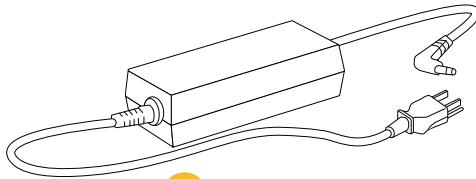
**S6** X4



**S9** X4

### CORD

---



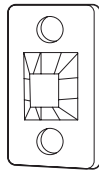
**K** Power adapter

### ANTI-TIPPING KIT

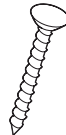
---



**L** X2



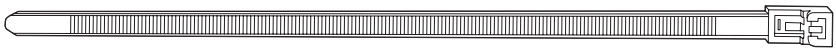
**M** X2



**S7** X2



**S8** X2



**N** Cable tie

### ACCESSORIES

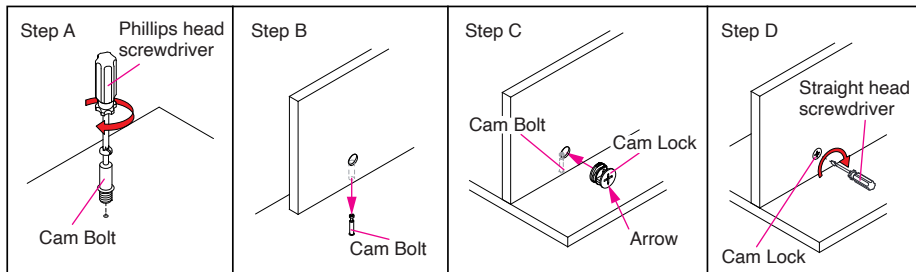
---



**Q** Suction cup

## ASSEMBLY STEPS

### • HOW TO USE THE CAM BOLT KIT

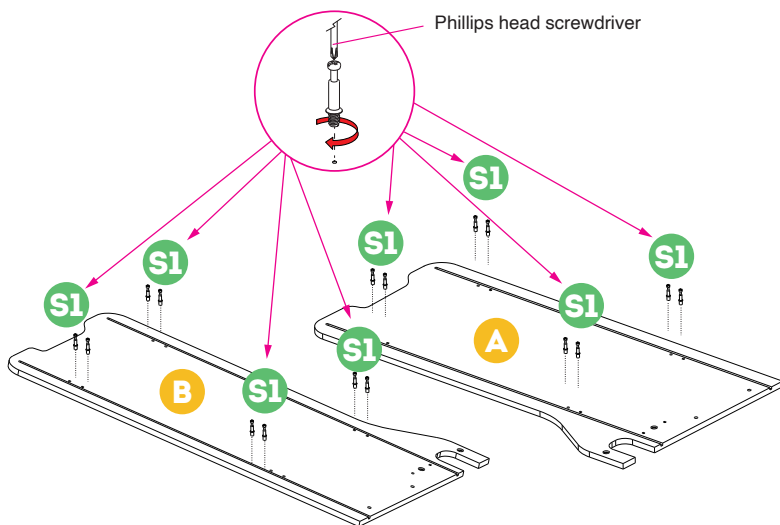


Step A. Use Phillips head screwdriver to fasten the cam bolt onto the panel. To avoid insufficient length to connect the cam lock, please do not overtighten it.

Step B. When attaching two panels, please make sure the cam bolts align with the holes.

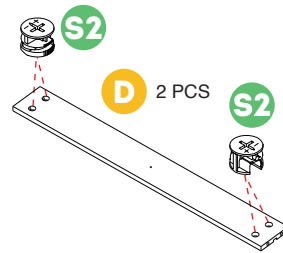
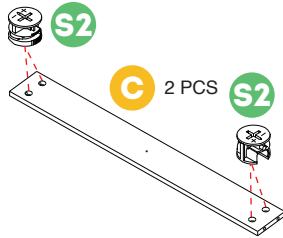
Step C. Insert the cam locks to the matching holes.

Step D. Tighten clockwise with straight head screwdriver.

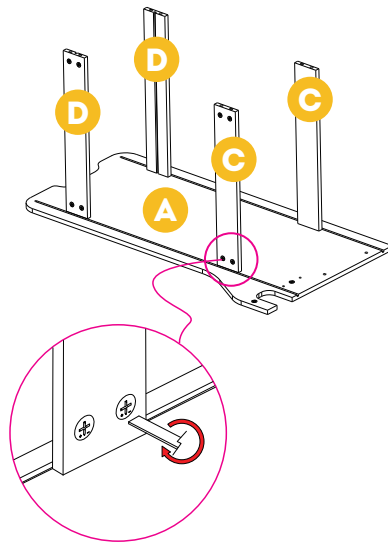
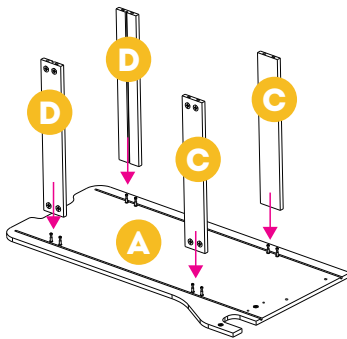


Step 1. Insert the 16 [S1] screws to the matching holes on [A] and [B] on both panels with a Phillips head screwdriver. Please insert and make sure to tighten perpendicular to board (redo this step as needed). Do not use excessive force or you risk breaking the panels.

## ASSEMBLY STEPS

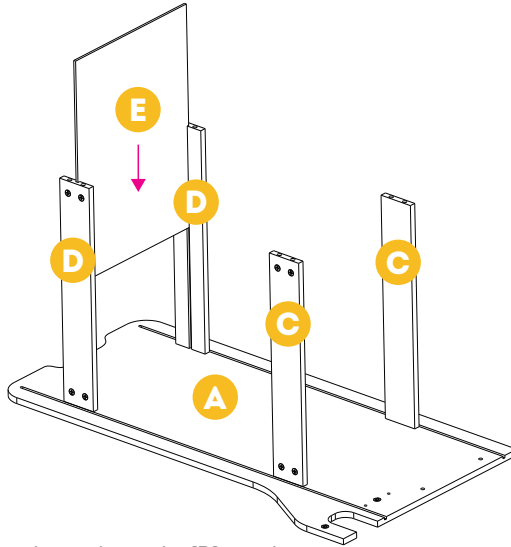


Step 2. Insert 16 [S2] screws to the matching holes on the pairs of [C] and [D]. Please note the side with the slots faces inwards.

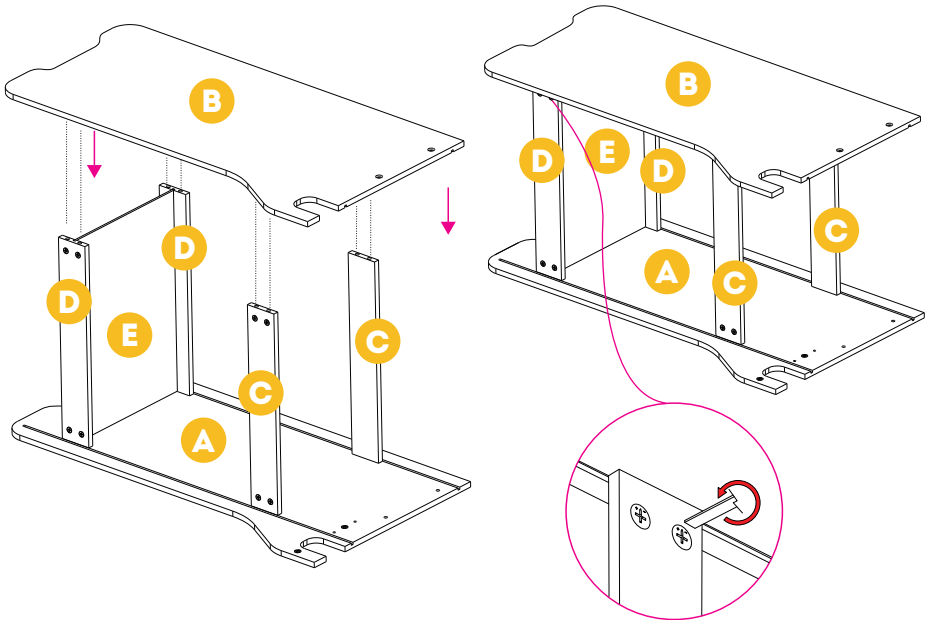


Step 3. Lay [A] aside and take out one [C]. Insert [C] into [A]. Please note the sides with holes face outwards. Use a straight head screwdriver to rotate [S2] with mark "+" to tighten. Repeat process for the rest of [C] and [D].

## ASSEMBLY STEPS



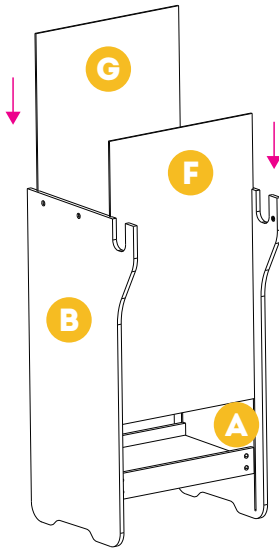
Step 4. Slide [E] into the tracks on the [D] panels.



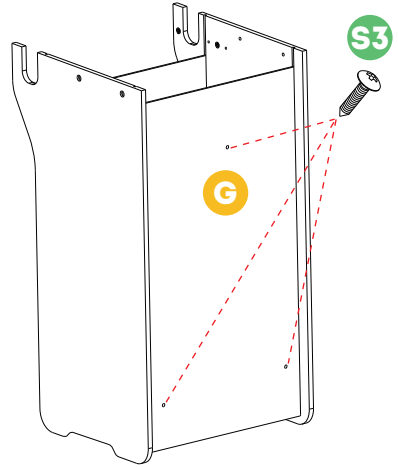
Step 5. Insert [B] to the matching holes on [C] and [D]. Use a straight head screwdriver to rotate the 8 [S2] with mark "+" to tighten.

## ASSEMBLY STEPS

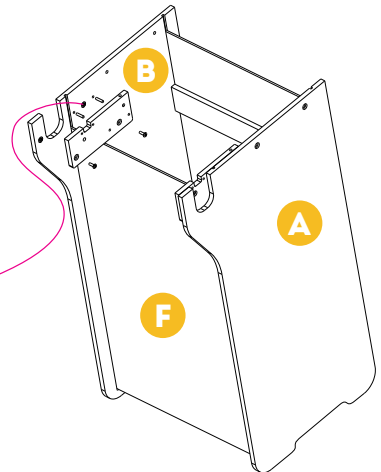
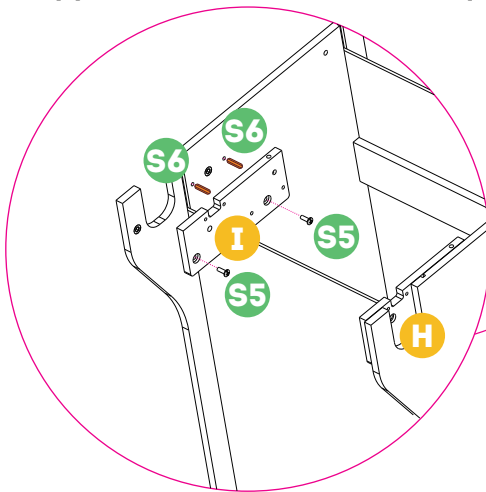
---



Step 6. Slide [G] and [F] into the tracks of [A] and [B].



Step 7. Insert [S3] into the matching holes on [G] with straight head screwdriver and tighten.

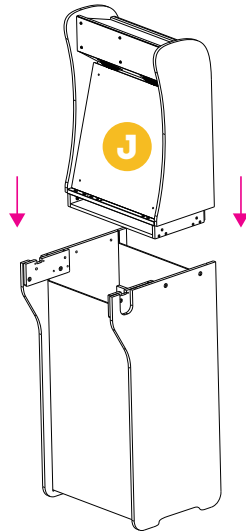


Step 8. Insert the 4 wood dowels [S6] into the [B] panel and install [I] to [B]. Insert 2 screws [S5] into the matching holes on [I] and tighten. Attach [H] to [A] panel in the same manner.

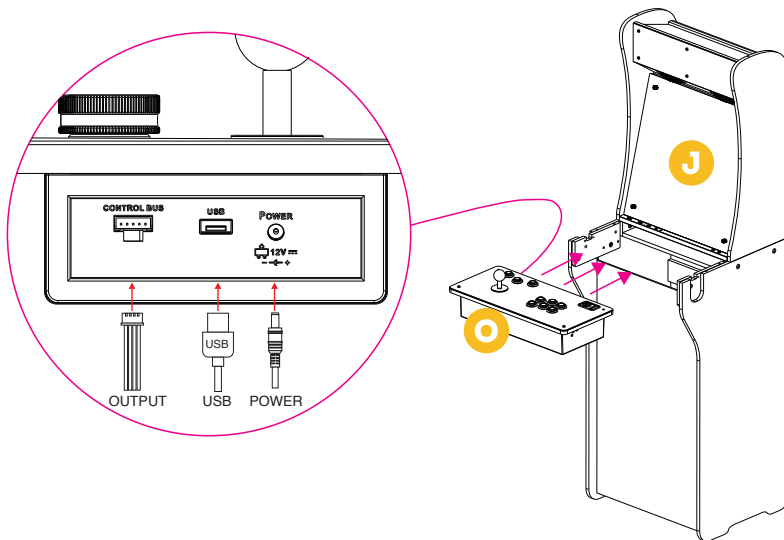


## ASSEMBLY STEPS

---

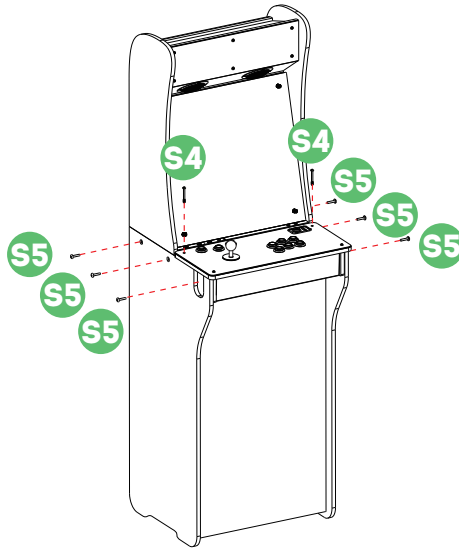


Step 9. Attach bar top [J] to the bottom part of the cabinet.

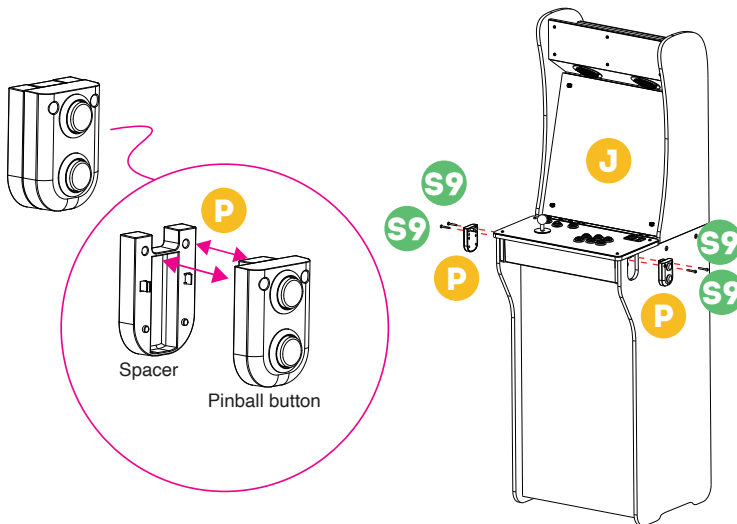


Step 10. Connect the cables to the matching slots on the control panel [O]. Please make sure the slots are aligned. Insert [O] into the cabinet.

## ASSEMBLY STEPS

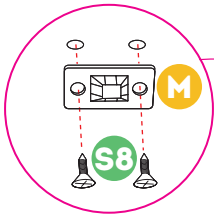


Step 11. Insert a pair of [S4] screws into the matching holes on [O], then insert [S5] to the 6 matching holes on the sides of the cabinet and tighten.

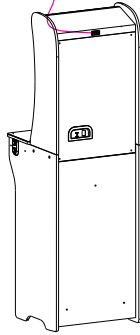


Step 12. Remove Spacer from [P] and install the pinball buttons on both sides of the cabinet, then insert [S9] screws into the matching holes on the sides of the cabinet and tighten.

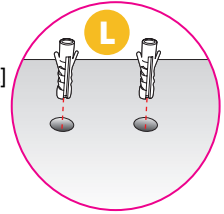
## ASSEMBLY STEPS



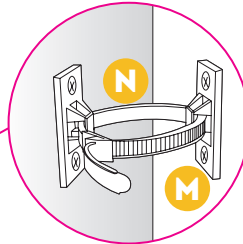
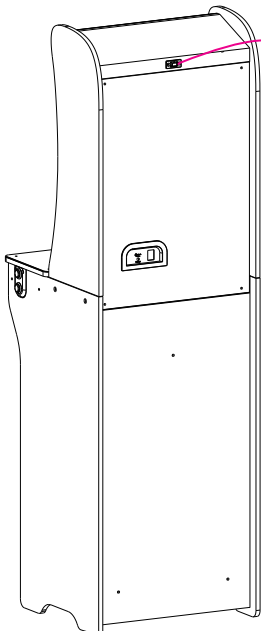
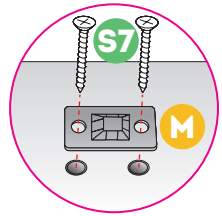
Step 13. Tighten [S8] on the bracket [M] against the top back side of the cabinet.



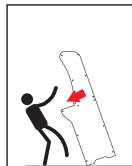
Step 14. Drill holes against the wall and insert plastic anchors [L] into the holes firmly.



Step 15. Tighten [S7] on the bracket [M] against the wall.



Step 16. Fasten the cable tie [N] to connect both brackets [M] to keep the cabinet from tipping over.



### WARNING

Serious or fatal crushing injuries can occur from tip-over.

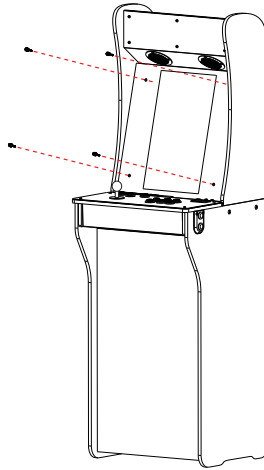
To help prevent tip-over:

- Do not set any heavy objects on top of the cabinet.
- Never allow children to climb or hang on the cabinet.

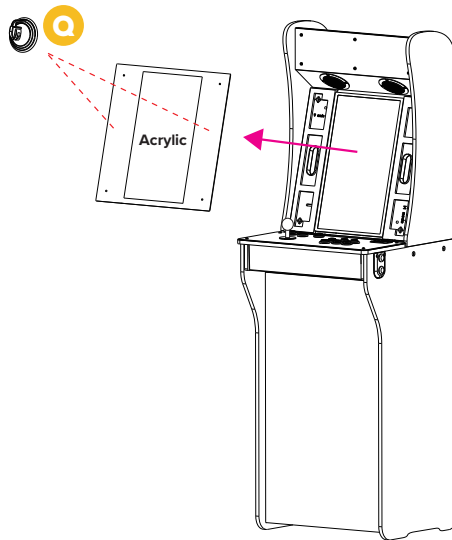
Use of tip-over restraints may only reduce but not eliminate the risk of tip-over.

# HOW TO ROTATE THE MONITOR

## ROTATE LANDSCAPE SCREEN TO PORTRAIT SCREEN

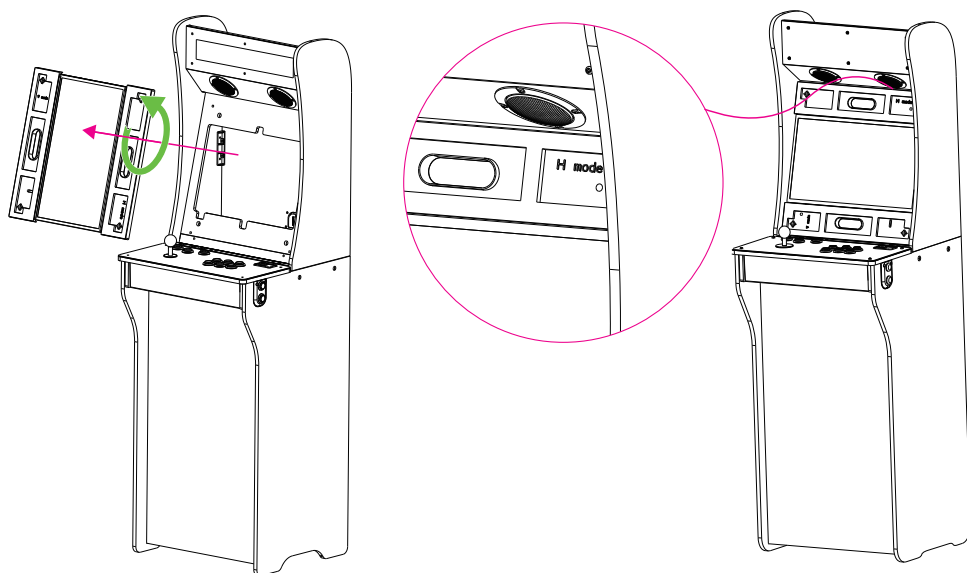


Step 1: Remove the 4 thumb screws from the acrylic panel.

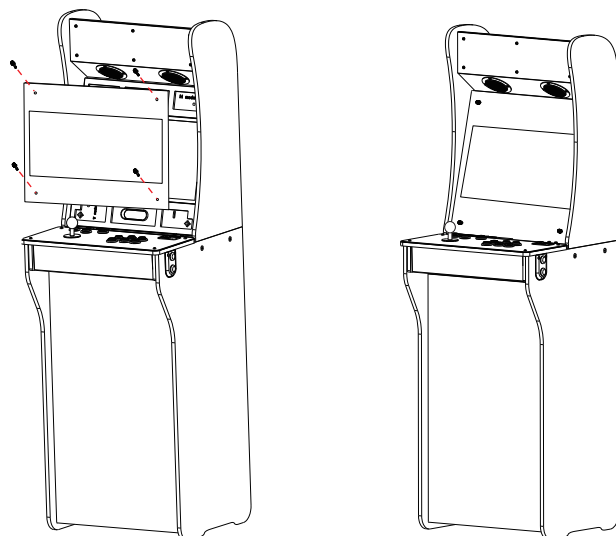


Step 2. Use the suction cup [Q] to remove the acrylic panel.

## ROTATE PORTRAIT SCREEN TO LANDSCAPE SCREEN



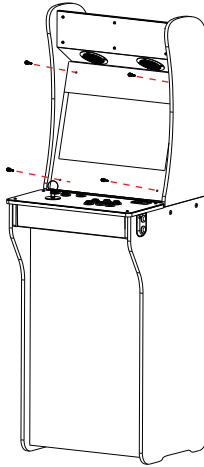
Step 3. Remove the monitor from the machine. Turn the display counterclockwise, then put the monitor back in the machine..



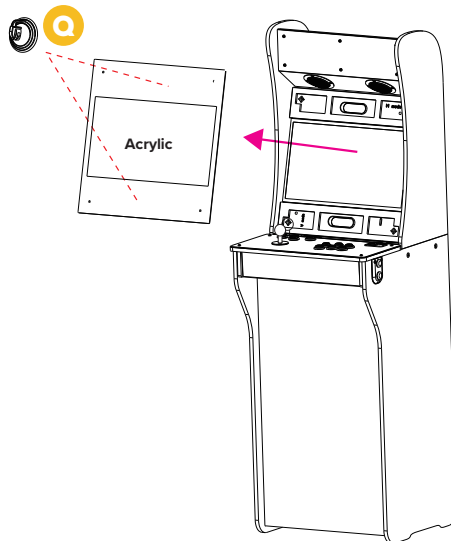
Step 4. Insert 4 thumb screws into the matching holes and tighten.

# HOW TO ROTATE THE MONITOR

## ROTATE LANDSCAPE SCREEN TO PORTRAIT SCREEN

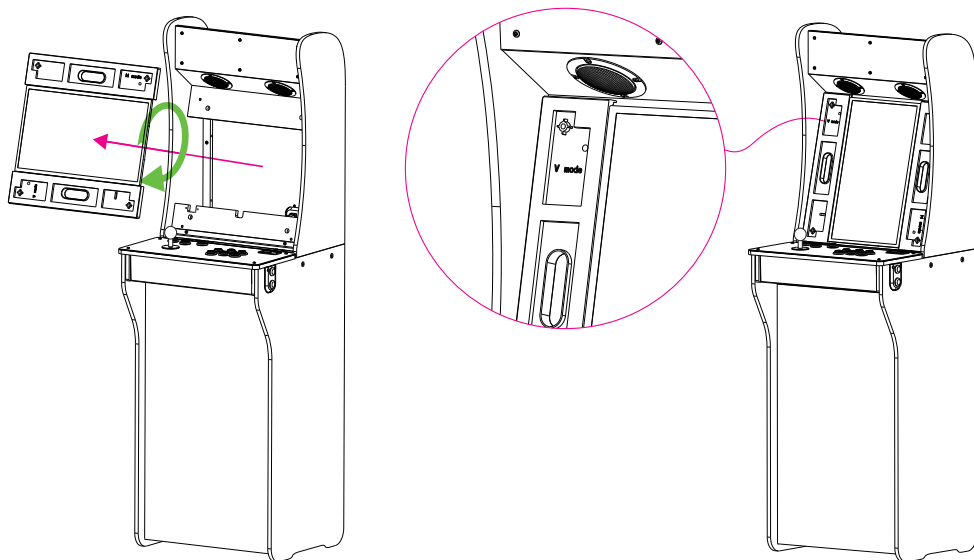


Step 1: Remove the 4 thumb screws from the acrylic panel.

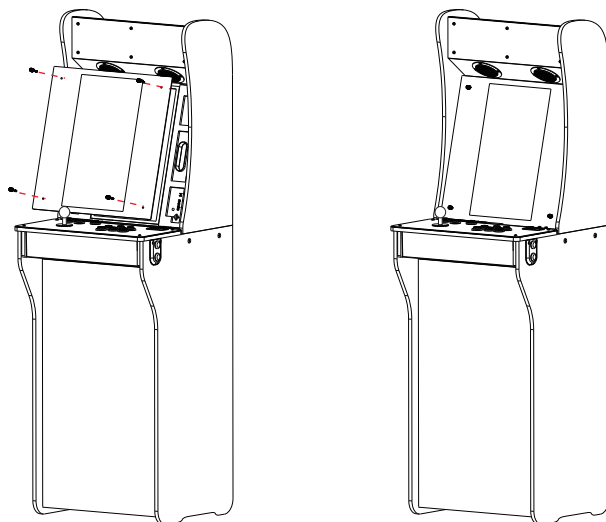


Step 2. Use the suction cup [Q] to remove the acrylic panel.

## ROTATE LANDSCAPE SCREEN TO PORTRAIT SCREEN

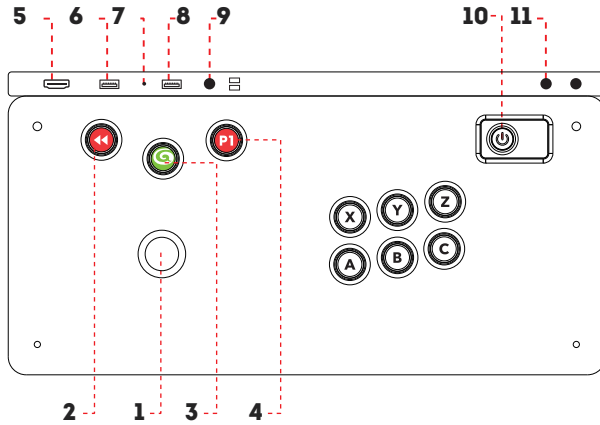


Step 3. Remove the monitor from the machine. Turn the display clockwise, then put the monitor back in the machine.



Step 4. Insert 4 thumb screws into the matching holes and tighten.

# LEGENDS ULTIMATE MINI FEATURES



1. P1 JOYSTICK

2. REWIND

3. ATGAMES HOME BUTTON

4. P1 START

5. HDMI PORT

6. USB PORT

7. RESET BUTTON

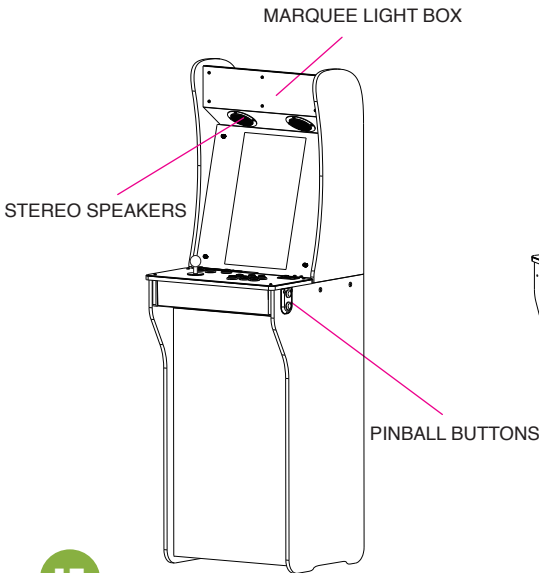
8. USB PORT

9. CHANNEL BUTTON

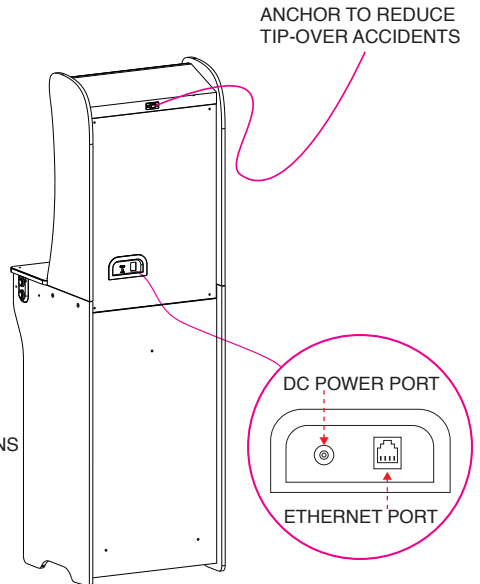
10. POWER

11. VOLUME ADJUSTER

## • FRONT



## • REAR





## QUICK START GUIDE

---

Note: All screenshots shown are for illustration purposes only. Actual screens may vary.

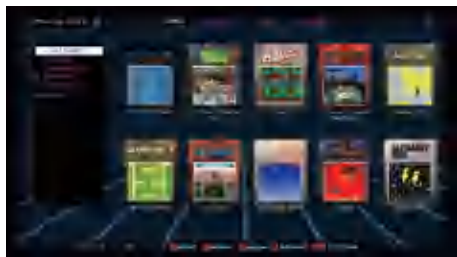
1. Plug in AC adapter and press the Power button to turn on.
2. Use P1 joystick to select and play 150 pre-loaded games. (Note: Internet connection is not required. The games can be played offline.)
3. Connect internet via Ethernet (Ethernet cable is not included) or Wi-Fi to play more
4. games on ArcadeNet®.

To connect through Wi-Fi:

4-1. Select [Wi-Fi] under the [SETTINGS] page.

4-2. Select the Wi-Fi SSID you would like to connect to, and select [Connect].

If prompted, enter the Wi-Fi password using the on-screen keyboard and select [Submit] when done.



## HOW TO UPDATE FIRMWARE

---

1. Power on the arcade.
2. Connect to internet via Ethernet (Ethernet cable is not included) or Wi-Fi.
3. Go to [SETTINGS] and select [Version].
4. If there is a newer version, follow the instructions to download the latest firmware.  
Make sure the internet connection is stable during this process.
5. Once the firmware is downloaded successfully, select [Upgrade] and the device will reboot automatically to activate the new firmware version.

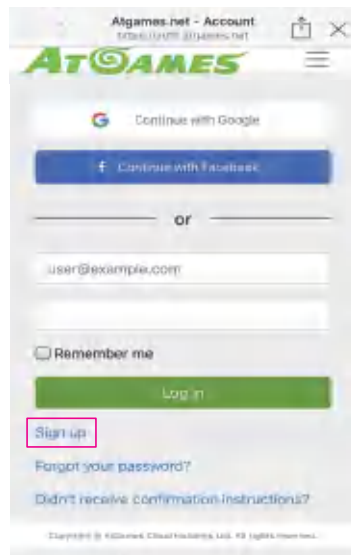
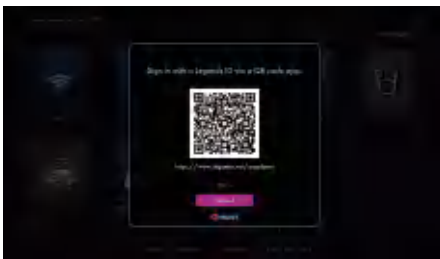
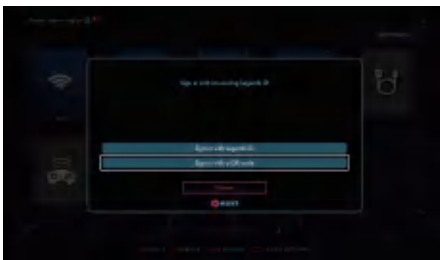
Note: If you encounter any issues during firmware update, contact support at:  
<https://www.atgames.net/arcades/contact>

## HOW TO REGISTER/SIGN IN YOUR LEGENDS ACCOUNT

1. Make sure your device is connected via Wi-Fi or Ethernet, then go to [SETTINGS] and
2. Create a new account if you don't have one yet.



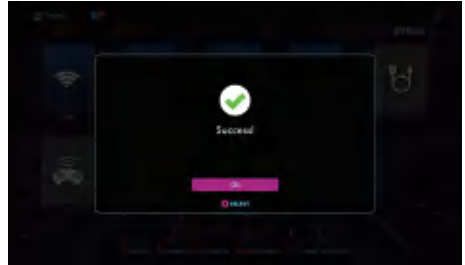
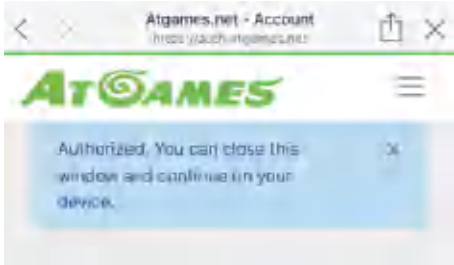
3. Once you have a Legends account, you can choose either to sign in with your Legends ID or with the QR code. To sign in with your email, enter the email address and password.
4. To sign in with the QR-code, a smartphone or tablet is required.
5. Use a smartphone or tablet to scan the QR-code on the screen to launch the ArcadeNet® website. You will be directed to the login page, where you can choose either to sign in with your existing Google/Facebook account or your email.



## HOW TO REGISTER/SIGN IN YOUR LEGENDS ACCOUNT

---

6. You will see the authorization notification once complete. Now you can close the window and return to your arcade. A “Success!” message will show on the arcade once signed in.



## HOW TO CONNECT ATGAMES BLAST! DONGLES AND CONSOLES TO LEGENDS ULTIMATE MINI\*

---

Step 1. Plug the “Blast! dongle” or connect “AtGames console” with HDMI cable in the HDMI PORT, and connect USB power cord.

Step 2. Press HDMI CHANNEL button to selected HDMI source.

Step 3. The Games Menu will display on the screen. Select the game you like and play!

NOTE: You can also go to [SETTINGS] and select the APL option and follow the on-screen instructions for your device.

\*Supports the following AtGames products:

2022: Legends Core Max (HA2819), Atari Flashback series items, Flashback Blast! series items.

2019: Legends Flashback (FB8660), Atari Flashback X (AR3060), Bandai Namco Arcade Blast! (WD3305 and WD3305S), Adventure Flashback Blast! (WD3308), Star Flashback Blast! (WD3309).

## WHEN TO SAFELY POWER OFF ARCADE

---

Do not power off the cabinet during the following:

- Firmware update
- Factory reset
- Data cleanup
- Read/write USB drive

This could prevent irreversible data loss and/or damage to your cabinet and USB drives.

## WARRANTY INFO

---

The manufacturer warrants this product to be free and clear of defects in the materials and workmanship, under normal residential use and conditions, for a period of ninety (90) days from the original invoice date. Shipping and handling fees are to be paid for by the customer. To make a warranty claim, please submit a service request here:

<https://www.atgames.net/arcades/contact/>

Standard warranty coverage for the AtGames Legends Ultimate Mini does not apply to and is considered invalid due to misuse, improper maintenance, self-repair, tampering, or invasive hardware modifications of any kind, and damages or dysfunction caused by shipping or non-manufacturing related causes.

Note: Standard warranty services are valid with receipt from an authorized retailer. Purchases through third-party sellers and resellers do not fall under the standard warranty program. For warranty support, please contact the third-party seller or reseller where you purchased the product. Please find the latest AtGames Warranty policy at:

<https://www.atgames.net/arcades/warranty>

## FEATURED GAMES

---

Aladdin	KiKi KaiKai™
Asuka & Asuka	Magical Drop III / The Tower
Bad Dudes vs. Dragon Ninja	Midnight Resistance
Big Run	Nastar Warrior™
Bubble Bobble™	Operation Wolf™
BurgerTime™	Pinbo
Cameltry™	Plus Alpha
Cyballer	Pop Flammer
Desert Assault / Desert Storm Gulf War / Thunder Zone	Psychic 5
Desert War	Rastan™
Donald in Maui Mallard	Space Invaders™
Drift Out	Spinmaster / Miracle Adventure
Earth Joker - U.N. Defense Force	Storm Blade
Elevator Action Returns™	Super Real Darwin
Exerion	Super Star Wars: Return of the Jedi
Fighter's History Dynamite / Karnov's Revenge	Tetris® Plus 2
Fix-It Felix, Jr.	The Jungle Book
Galmedes	The Lion King
Gargoyles	The Ninja Kids™
Growl™	Tron
Gun & Frontier™	Valtric
Gun Ball / Nitro Ball	Volfied™
Heavy Barrel	Wild Western™
Joe & Mac Returns	Zombies Ate My Neighbors
Joe & Mac: Caveman Ninja	Zoo Keeper™

**And many more...**

© CITY CONNECTION CO., LTD  
DATA EAST and DATA EAST logo(s) are trademarks in United States and other countries or registered trademarks in European Union and Japan of G-MODE Corporation.

© 2022 Disney. All rights reserved.  
© 2022 Lucasfilm Ltd. All rights reserved.



Copyright © Piko Interactive LLC - All Rights Reserved.

SPACE INVADERS™ and other TAITO branded games included in this product are officially licensed by TAITO CORPORATION to AtGames Interactive.  
TAITO is the exclusive owner of the global intellectual property rights including copyrights and trademarks for all TAITO branded games included in this product.



Tetris ® & © 1985~2022 Tetris Holding.  
Tetris logos, Tetris theme song and Tetriminos are trademarks of Tetris Holding.  
The Tetris trade dress is owned by Tetris Holding.  
Licensed to The Tetris Company.  
Tetris Game Design by Alexey Pajitnov.  
All Rights Reserved.



## SAFETY NOTICE

---

- Do not submerge the arcade cabinet in water or expose it to extreme heat or to strong magnetic fields. Doing so may cause permanent damage to your device.
- Always use a dry towel to clean the cabinet and the control top.
- Transformers are suitable for indoor use only. Transformers and power supplies for toys are not intended to be used as toys, and the use of these products by children shall be under the full supervision of parents.

## FCC STATEMENT

---

This equipment has been tested and found to comply with the limits for a Class B digital device, pursuant to part 15 of the FCC Rules. These limits are designed to provide reasonable protection against harmful interference in a residential installation. This equipment generates, uses and can radiate radio frequency energy and, if not installed and used in accordance with the instructions, may cause harmful interference to radio communications. However, there is no guarantee that interference will not occur in a particular installation. If this equipment does cause harmful interference to radio or television reception, which can be determined by turning the equipment off and on, the user is encouraged to try to correct the interference by one or more of the following measures:

- Reorient or relocate the receiving antenna.
- Increase the separation between the equipment and receiver.
- Connect the equipment into an outlet on a circuit different from that to which the receiver is connected.
- Consult the dealer or an experienced radio/TV technician for help.

### Caution

Any changes or modifications to this device not explicitly approved by manufacturer could void your authority to operate this equipment.

This device complies with part 15 of the FCC Rules. Operation is subject to the following two conditions:

(1) This device may not cause harmful interference, and (2) this device must accept any interference received, including interference that may cause undesired operation.

### For Game Host

This equipment complies with FCC radiation exposure limits set forth for an uncontrolled environment.

This equipment should be installed and operated with minimum distance 20cm between the radiator and your body. This transmitter must not be co-located or operating in conjunction with any other antenna or transmitter.

## WARNING

---

Adult assembly required. Due to the presence of small parts during assembly, keep out of reach of children until assembly is complete.

## FCC STATEMENT

---

This equipment has been tested and found to comply with the limits for a Class B digital device, pursuant to part 15 of the FCC Rules. These limits are designed to provide reasonable protection against harmful interference in a residential installation. This equipment generates, uses and can radiate radio frequency energy and, if not installed and used in accordance with the instructions, may cause harmful interference to radio communications. However, there is no guarantee that interference will not occur in a particular installation. If this equipment does cause harmful interference to radio or television reception, which can be determined by turning the equipment off and on, the user is encouraged to try to correct the interference by one or more of the following measures:

- Reorient or relocate the receiving antenna.
- Increase the separation between the equipment and receiver.
- Connect the equipment into an outlet on a circuit different from that to which the receiver is connected.
- Consult the dealer or an experienced radio/TV technician for help.

### Caution

Any changes or modifications to this device not explicitly approved by manufacturer could void your authority to operate this equipment.

This device complies with part 15 of the FCC Rules. Operation is subject to the following two conditions:

(1) This device may not cause harmful interference, and (2) this device must accept any interference received, including interference that may cause undesired operation.

### For Game Host

This equipment complies with FCC radiation exposure limits set forth for an uncontrolled environment.

This equipment should be installed and operated with minimum distance 20cm between the radiator and your body. This transmitter must not be co-located or operating in conjunction with any other antenna or transmitter.

## ISED STATEMENT

---

- English: This device complies with Industry Canada license - exempt RSS standard(s). Operation is subject to the following two conditions: (1) This device may not cause interference, and (2) This device must accept any interference, including interference that may cause undesired operation of the device. The digital apparatus complies with Canadian CAN ICES-3 (B)/NMB-3(B).
- French: Le présent appareil est conforme aux CNR d'Industrie Canada applicables aux appareils radio exempts de licence. L'exploitation est autorisée aux deux conditions suivantes: (1) l'appareil ne doit pas produire de brouillage, et (2) l'utilisateur de l'appareil doit accepter tout brouillage radioélectrique subi, même si le brouillage est susceptible d'en compromettre le fonctionnement. L'appareil numérique du ciem conforme canadien peut - 3 (b) / nmb - 3 (b).

This device meets the exemption from the routine evaluation limits in section 2.5 of RSS 102 and compliance with RSS 102 RF exposure, users can obtain Canadian information on RF exposure and compliance.

cet appareil est conforme à l'exemption des limites d'évaluation courante dans la section 2.5 du cnr - 102 et conformité avec rss 102 de l'exposition aux rf, les utilisateurs peuvent obtenir des données canadiennes sur l'exposition aux champs rf et la conformité.

This equipment complies with Canada radiation exposure limits set forth for an uncontrolled environment. This equipment should be installed and operated with minimum distance 20cm between the radiator & your body.

Cet équipement est conforme Canada limites d'exposition aux radiations dans un environnement non contrôlé. Cet équipement doit être installé et utilisé à distance minimum de 20cm entre le radiateur et votre corps.

This device meets the exemption from the routine evaluation limits in section 2.5 of RSS 102 and compliance with RSS 102 RF exposure, users can obtain Canadian information on RF exposure and compliance.

cet appareil est conforme à l'exemption des limites d'évaluation courante dans la section 2.5 du cnr - 102 et conformité avec rss 102 de l'exposition aux rf, les utilisateurs peuvent obtenir des données canadiennes sur l'exposition aux champs rf et la conformité.

This equipment complies with Canada radiation exposure limits set forth for an uncontrolled environment. This equipment should be installed and operated with minimum distance 0mm between the radiator & your body.

Cet équipement est conforme Canada limites d'exposition aux radiations dans un environnement non contrôlé. Cet équipement doit être installé et utilisé à distance minimum de 0mm entre le radiateur et votre corps.





# LEGENDS ULTIMATE MINI



[www.atgames.us](http://www.atgames.us)

**ATGAMES**

© 2022 AtGames Interactive  
[www.atgames.net](http://www.atgames.net)  
PO Box 1691, El Segundo, CA 90245  
All rights reserved.

For additional support, please visit <https://www.atgames.net/arcades/contact>

\*Content and images are for reference only and subject to change.

Made in China