

# LEGENDS PINBALL MICRO

## INSTRUCTION MANUAL MANUEL D'INSTRUCTIONS



**ATGAMES**  
[www.atgames.net](http://www.atgames.net)

This product is intended for indoor, home use only and is not to be used in a commercial setting.

Ce produit est destiné à une utilisation intérieure et domestique uniquement et ne doit pas être utilisé dans un cadre commercial.

TAITO, the TAITO logo, ARKANOID™ and BUBBLE BOBBLE™ and DARIUS™ and FRONT LINE™ and RAINBOW ISLANDS™ and RASTAN SAGA™ and SPACE INVADERS™ and THE LEGENDS OF KAGE™ are trademarks and/or registered trademarks of TAITO CORPORATION in Japan and/or other countries.



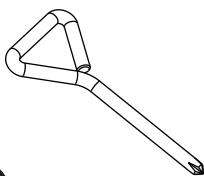
# INDEX

---

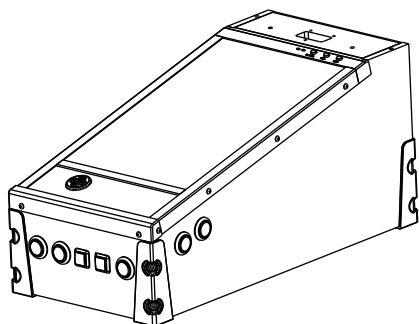
Assembly Guide	P4
Packaging/Unboxing Warning	P7
Controls & Inputs	P8
Quick Start Guide/How to Update Firmware	P9
How to Register/Sign In Your Legends Account	P10
Product Registration/When to Safely Power Off THE ALP Micro/ Warranty Info	P11
Game List	P12
Warning/FCC Statement/Safety Notice	P13
Guide d'assemblage	P14
Avertissement sur l'emballage et le déballage	P17
Commandes et périphériques d'entrée	P18
Guide de démarrage rapide / Comment mettre à jour le micrologiciel	P19
Comment s'inscrire / vous connecter à votre compte Legends	P20
Enregistrement du produit / Quand mettre hors tension en toute sécurité le ALP Micro / Informations sur la garantie	P21
Liste des jeux	P22
Avertissement / Avis de sécurité	P23

# ASSEMBLY GUIDE

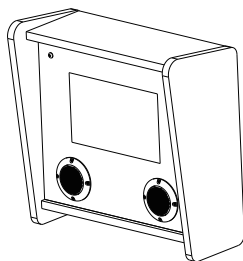
## TOOLS INCLUDED



**A** Philips head screwdriver



**A** Playfield

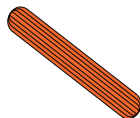


**B** Backglass

## SCREWS

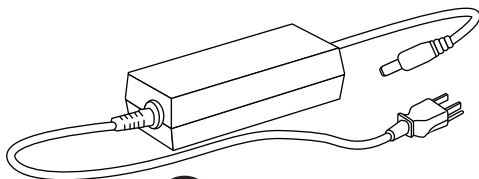


**S1** X3



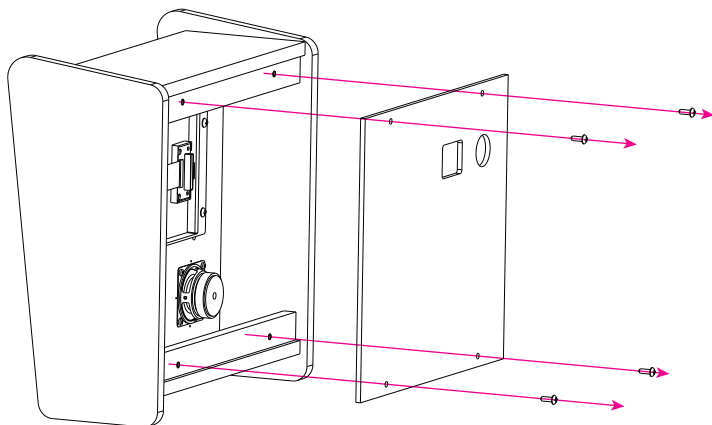
**S2** X3

## CORD

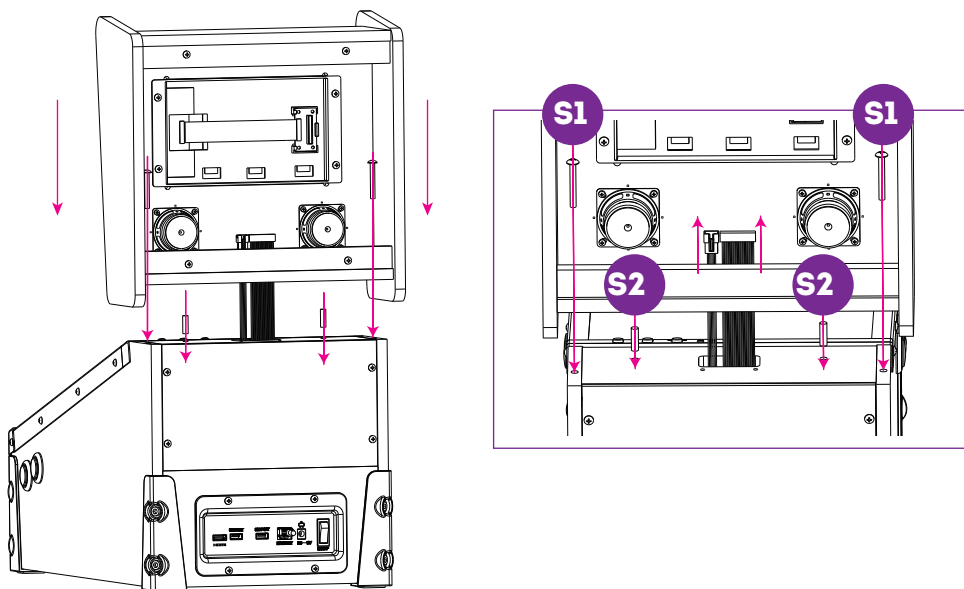


**M** AC adapter

# ASSEMBLY GUIDE



Step 1: Use the included Philips head screwdriver to open up the back panel on the Backglass.

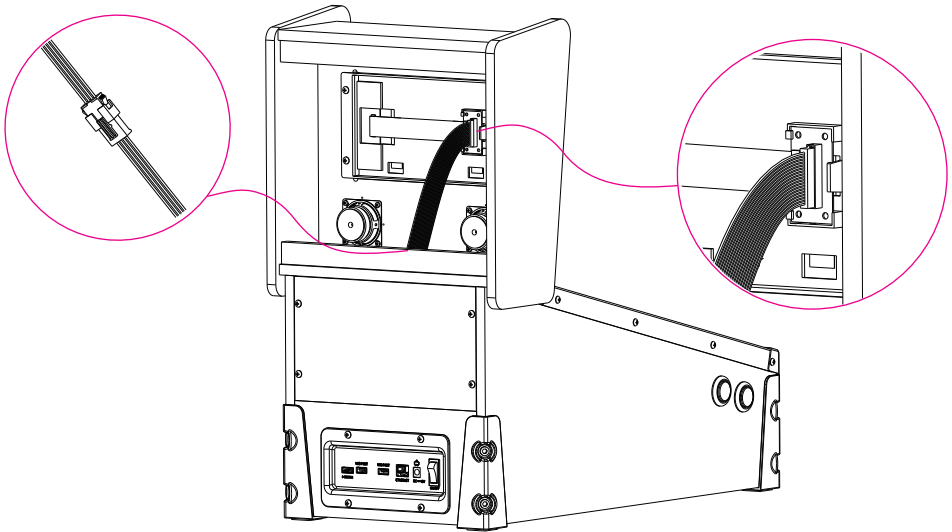


Step 2. Insert [S2] Dowels to the matching hole on top the Playfield.

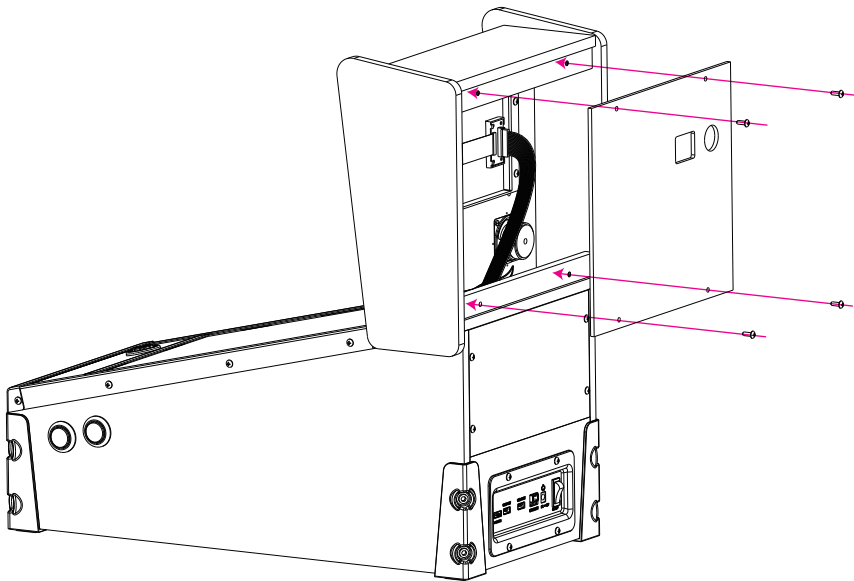
Step 3. Feed the video and audio cables through the hole on the back of Backglass, and attach the Backglass to the top of the Playfield through the dowels.

Step 4. Insert 2 [S1] screws to the matching holes and tighten them.

# ASSEMBLY GUIDE



Step 5. Connect the video and audio cables to the matching slots.



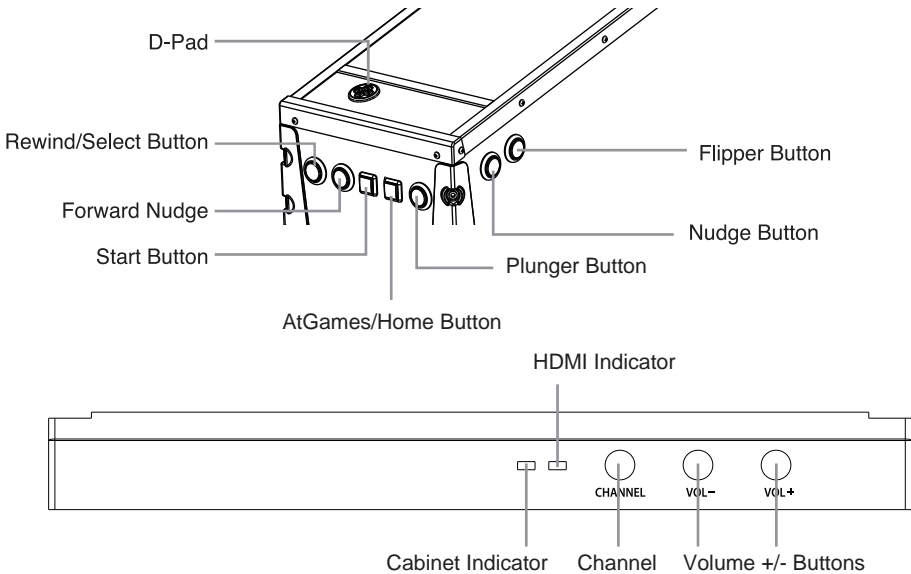
Step 6. Attach the back cover of the backglass and tighten it with the included Philips head screwdriver.

# PACKAGING/UNBOXING WARNING

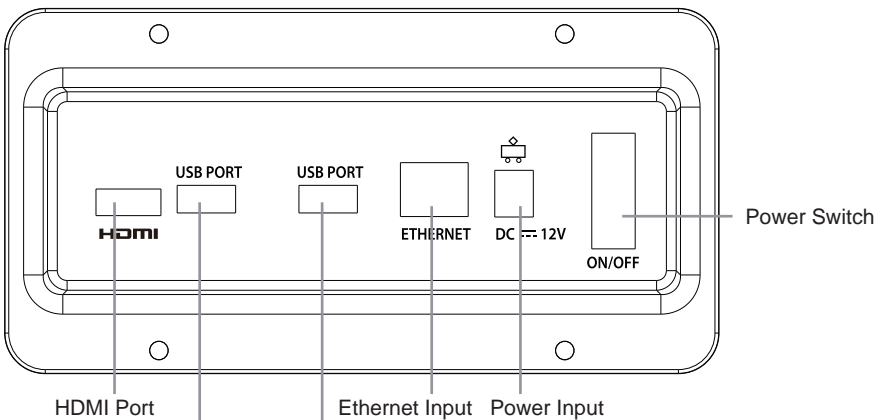
- Please note that when assembling the machine that the top rear of the playfield has an opening for connecting the backglass.
- Due to the weight of the cabinet body, do not carry the cabinet body by grabbing the opening on the backglass. This can cause serious damage to both the body and electronics inside.
- Please exercise extra caution when moving the cabinet body and backglass so that you have an ideal and safe out-of-the-box experience.
- Please use caution when removing the cabinet body and backglass to avoid damage to the components.



# CONTROLS AND INPUTS



## Located on the back of unit



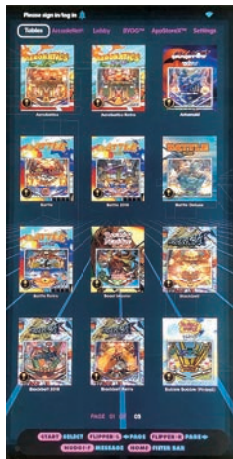
• **Left USB Port** for additional storage (USB flash drive not included)

• **Right USB Port** for OTG (on-the-go) connectivity



# QUICK START GUIDE

1. Plug in the AC adapter and press the power button located on the back of the cabinet to turn on. Use the D-pad to select from the 50 pre-loaded games.
2. Connect to the internet via the Ethernet port (Ethernet cable is not included) or WiFi for system updates and to play more games on ArcadeNet®.
3. To connect through Wi-Fi:
  - 3-1. Select [Wi-Fi] under the [Settings] page.
  - 3-2. Select the Wi-Fi SSID you would like to connect to and select [Connect].When prompted, enter the Wi-Fi password using the on-screen keyboard and select [Submit] when done.



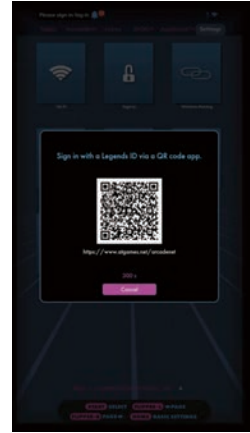
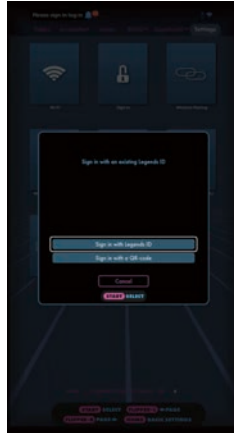
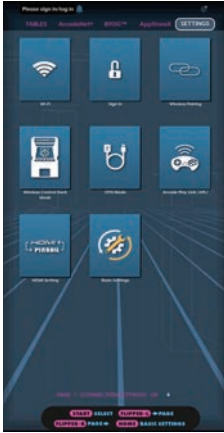
# HOW TO UPDATE FIRMWARE

1. Power on the ALP Micro.
2. Connect to internet via Ethernet (Ethernet cable is not included) or Wi-Fi.
3. Go to [Settings] and select [Version].
4. If there is a newer firmware, follow the instruction to download the latest firmware. Make sure the internet connection is stable during this process.
5. Once the firmware is downloaded successfully, select [Upgrade] and the device will reboot automatically to activate the new firmware version.

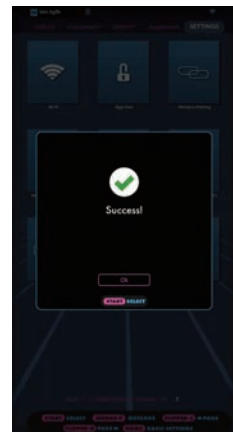
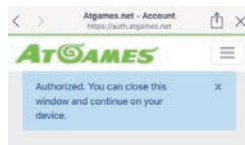
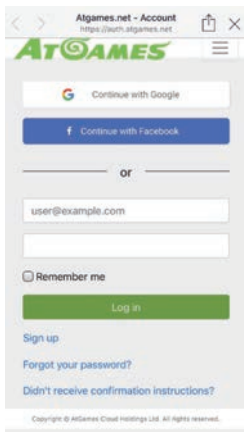
Note: If you encounter any issues during firmware update, contact support at: <https://arcades.atgames.net/contact/>

# HOW TO REGISTER/SIGN IN YOUR LEGENDS ACCOUNT

1. Make sure your device is connected via Wi-Fi or Ethernet, then go to [Settings] and select [SIGN IN].
2. Create a new account if you do not have one yet.



3. Once you have a Legends account, you can choose either to sign in with your Legends ID or with the QR code. To sign in with your Legends ID, enter the Legends ID and password.
4. To sign in with the QR code, a smartphone or tablet is required. Use a smartphone or tablet to scan the QR code on the screen and launch the ArcadeNet® website.
5. You will be directed to the login page, where you can choose either to sign in with an existing Google/Facebook account or your email.
6. You will see the authorization notification once complete. Now you can close the window and return to your arcade. A "Success!" message will show on the arcade once signed in.



# PRODUCT REGISTRATION

Use your Legends account login to register your product. If you signed up for a new Legends account, follow the instructions in the product registration email sent to the email address associated with the account. If you already have a Legends account, you can view your new device by going to the ArcadeNet® website, logging in, and selecting Registration under My Account.

## WHEN TO SAFELY POWER OFF THE ALP MICRO

Do not power off the ALP Micro during the following:

- Firmware update
- Factory reset
- Data cleanup
- Read/write USB drive

This could prevent irreversible data loss and/or damage to your cabinet and USB drives.

## WARRANTY INFO

The manufacturer warrants this product to be free and clear of defects in the materials and workmanship, under normal residential use and conditions, for a period of ninety (90) days from the original invoice date. Shipping and handling fees are to be paid for by the customer. To make a warranty claim, please submit a service request here: <https://www.atgames.net/arcades/contact>

Standard warranty coverage for the AtGames Legends Pinball Micro does not apply to and is considered invalid due to misuse, improper maintenance, self-repair, tampering, or invasive hardware modifications of any kind, and damages or dysfunction caused by shipping or non-manufacturing related causes.

Note: Standard warranty services are valid with receipt from an authorized retailer. Purchases through third-party sellers and resellers do not fall under the standard warranty program.

For warranty support, please contact the third-party seller or reseller where you purchased the product.

# GAME LIST

Aerobatics  
Aerobatics Retro  
Arkanoid  
Battle  
Battle 2016  
Battle Deluxe  
Battle Retro  
Beast Master  
Blackbelt  
Blackbelt Retro  
Blackbelt2018  
Bubble Bobble™  
Caveman  
Cine Star  
Cine Star Deluxe  
Circus  
Circus 2017  
Circus Retro  
Darius™  
Devil Riders  
Devil Riders 2019  
Devil Riders Retro  
Farfalla Deluxe  
Firefighter  
Front Line™  
House of Diamonds Deluxe  
Lucky Fruit  
Pool Champion Deluxe  
Rainbow Islands™  
Rastan Saga™  
Red Show Deluxe  
Robot Deluxe  
Space Invaders™  
Spooky Deluxe  
Strike Deluxe  
The Legends of Kage™  
Time Machine  
Time Machine 2019  
Time Machine Retro  
Tropical  
Tropical 2019  
Universe  
Universe Deluxe  
Universe Retro  
Winter Sports  
Winter Sports 2018  
Wizard  
Zankor  
Zankor 2017  
Zankor Retro

ARKANOID™ & © TAITO CORPORATION 1986 ALL RIGHTS RESERVED.  
BUBBLE BOBBLE™ & © TAITO CORPORATION 1986 ALL RIGHTS RESERVED.  
DARIUS™ & © TAITO CORPORATION 1986 ALL RIGHTS RESERVED.  
FRONT LINE™ & © TAITO CORPORATION 1982 ALL RIGHTS RESERVED.  
RAINBOW ISLANDS™ & © TAITO CORPORATION 1987 ALL RIGHTS RESERVED.  
RASTAN SAGA™ & © TAITO CORPORATION 1987 ALL RIGHTS RESERVED.  
SPACE INVADERS™ & © TAITO CORPORATION 1978 ALL RIGHTS RESERVED.  
THE LEGENDS OF KAGE™ & © TAITO CORPORATION 1985 ALL RIGHTS RESERVED.  
TAITO, the TAITO logo, ARKANOID™ and BUBBLE BOBBLE™ and DARIUS™ and FRONT LINE™ and RAINBOW ISLANDS™ and RASTAN SAGA™ and SPACE INVADERS™ and THE LEGENDS OF KAGE™ are trademarks and/or registered trademarks of TAITO CORPORATION in Japan and/or other countries.

