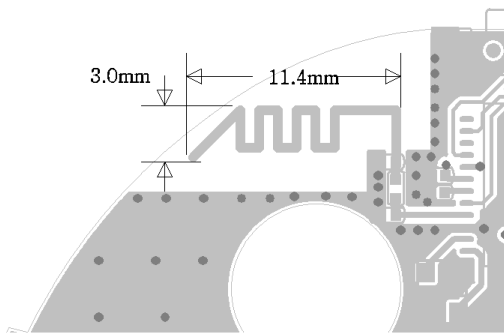


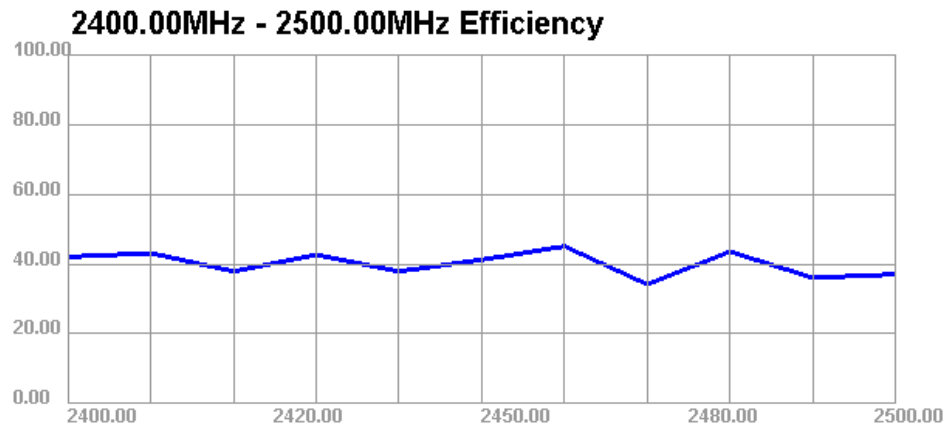
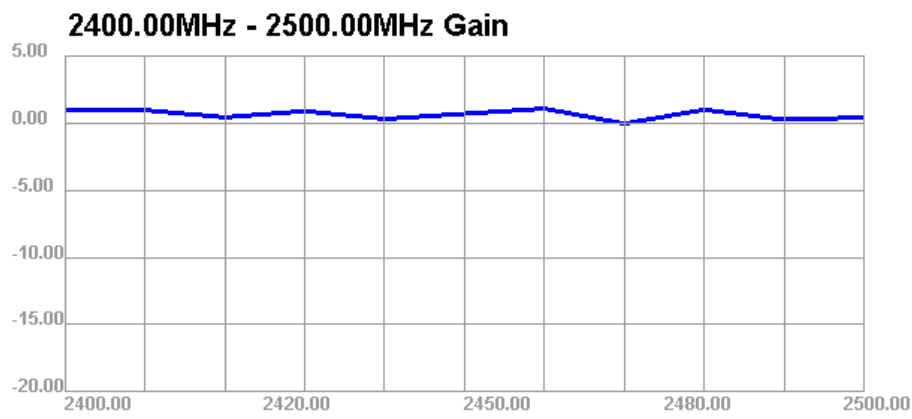
## Antenna Specification

Antenna type	PCB Antennas	
Working Frequency	2.4 ~ 2.5	GHz
Central Frequency	2450	MHz
Gain max	1.08	DBi
Impedance	50	Ohm
Manufacture	Hua Zicheng Technology Co., LTD	
Address	Hua Zicheng Technology Co., LTD., 5th Floor, Building B, No.6, Dongcai Industrial Park, Gushu, Shenzhen	

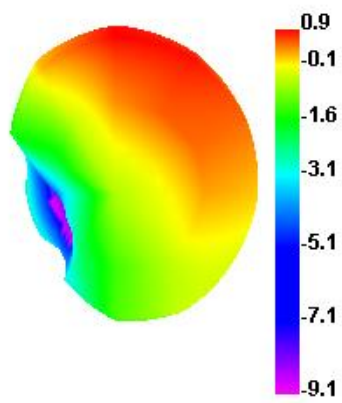


## Test result

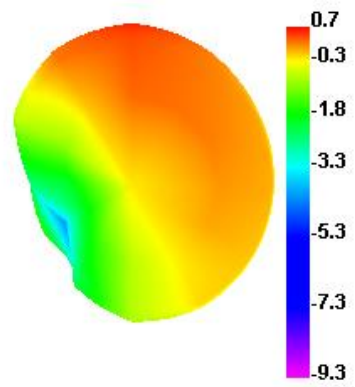
Passive Test For BT2.4												
Freq (MHz)	Effi (%)	Effi (dB)	Gain (dBi)	Gain (dBd)	UHS (%)	DHIS (%)	Max (dB)	Min (dB)	irectivity (dBi)	Beamwidth (3dB)	AttH (dB)	AttV (dB)
2400	42.08	-3.76	0.94	-1.21	0	0	0.94	-18.36	3.76	60	47.36	46.86
2410	43.13	-3.65	0.96	-1.19	0	0	0.96	-18.88	3.65	60	47.4	46.9
2420	37.94	-4.21	0.43	-1.72	0	0	0.43	-21.37	4.21	60	47.28	46.76
2430	42.7	-3.7	0.89	-1.26	0	0	0.89	-24.22	3.7	90	47.35	46.78
2440	37.91	-4.21	0.3	-1.85	0	0	0.3	-26.3	4.21	90	47.15	46.65
2450	41.24	-3.85	0.69	-1.46	0	0	0.69	-25.81	3.85	90	47.33	46.85
2460	45.09	-3.46	1.08	-1.07	0	0	1.08	-25.14	3.46	90	47.72	47.22
2470	34.19	-4.66	-0.04	-2.19	0	0	-0.04	-24.66	4.66	90	47.36	46.93
2480	43.58	-3.61	1	-1.15	0	0	1	-22.25	3.61	90	47.56	47.1
2490	36.07	-4.43	0.24	-1.91	0	0	0.24	-23.24	4.43	90	47.05	46.67
2500	37.09	-4.31	0.42	-1.73	0	0	0.42	-23.18	4.31	90	47.01	46.63



2400



2450



2500

