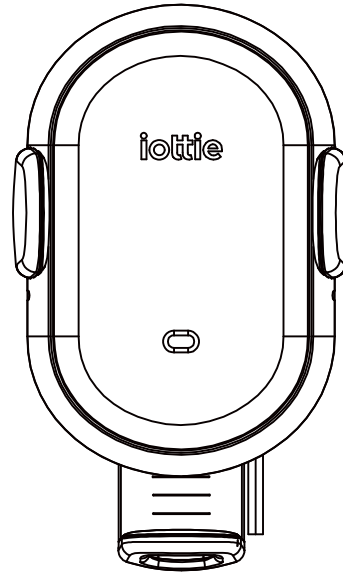


Auto Sense Wireless 2

Flush and Air Mount



Manual • Guide • Manuale • Handbuch • Manual



iottie

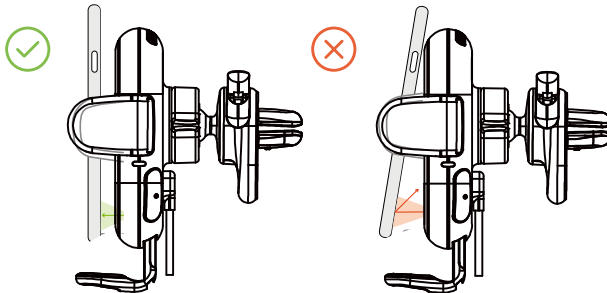
Getting Started

For optimal mounting and charging, please follow the detailed instructions within this manual when using the Auto Sense 2Wireless Charging Mount. iOttie is not liable for possible damages due to product misuse.

Critical Information

Mounting at a perpendicular angle to the mount works best with the proximity sensor.

If mounting at an angle, phone will need to be very close to sensor for arms to open.



Smartphone cases

Reflective Smartphone cases work best. Dark colored or textured cases do not reflect light well, making it difficult for the Proximity Sensor to detect phone. If using a dark colored or textured case, the phone will have to be very close to mount for arms to open automatically.

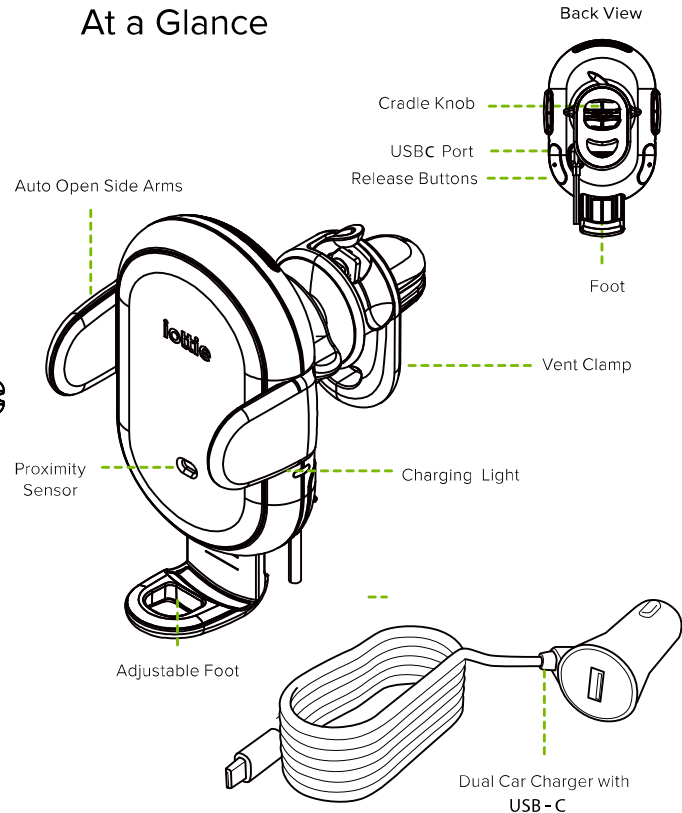
Compatibility

Before using product, make sure your device is Qi Wireless compatible. Compatible devices include iPhone X, iPhone Xs, iPhone XR, Samsung Galaxy S10, S10+, Note9+, and Google Pixel 3.

Qi Wireless Charging in Vehicle

Use the included iOttie Car Charger and Micro USB Cable. If you do use a third party car charger, use a Qualcomm Quick Charge 2.0 or equivalent adapter to receive a wireless charge (with compatible devices).

At a Glance



INPUT	5V/3A 9V/2A 12V/1.5A
CHARGING PORT	USB-C
LENGTH	2.96"
WIDTH	2.75"
HEIGHT	3.74"
WEIGHT	4.16oz

MODEL NUMBER	HLCRIO167
INPUT	5V/3A 9V/2A 12V/1.5A
OUTPUT	15W/10W/7.5W/5W
USB-C CABLE LENGTH	120MM

Solid Green light	Smartphone charging.
Blinking Red Light	Smartphone not charging. Foreign object detected or overheating of mount or smartphone.

RF exposure statement

This equipment complies with the FCC RF radiation exposure limits set forth for an uncontrolled environment. This equipment should be installed and operated with a minimum distance of 20cm between the radiator and any part of your body.

FCC Warning

This device complies with Part 18 of the FCC Rules. Operation is subject to the following two conditions:

(1) This device may not cause harmful interference, and (2) this device must accept any interference received, including interference that may cause undesired operation.

NOTE: Any changes or modifications to this unit not expressly approved by the party responsible for compliance could void the user's authority to operate the equipment.