

## TEST REPORT

**Report No.: 18051746HKG-001R1**

Flycatcher Inc.

Application For Certification  
(Original Grant)

**FCC ID: 2AMQX10126653543**

**IC: 23159-FCSS00011**

Transceiver

This report supersedes previous report with report number 18051746HKG-001 dated June 07, 2018.  
Please refer TY-S18-0193 Letter issued on June 25, 2018 for amendment/ supersede notification.

**Prepared and Checked by:**

**Approved by:**

Signed On File  
Tam Chu Kwong, Bismarck  
Assistant Engineer

---

Wong Kwok Yeung, Kenneth  
Senior Lead Engineer  
Date: June 25, 2018

---

Intertek's standard Terms and Conditions can be obtained at our website <http://www.intertek.com/terms/>.

The test report only allows to be revised within the retention period unless further standard or the requirement was noticed.

This report is for the exclusive use of Intertek's Client and is provided pursuant to the agreement between Intertek and its Client. Intertek's responsibility and liability are limited to the terms and conditions of the agreement. Intertek assumes no liability to any party, other than to the Client in accordance with the agreement, for any loss, expense or damage occasioned by the use of this report. Only the Client is authorized to permit copying or distribution of this report and then only in its entirety. Any use of the Intertek name or one of its marks for the sale or advertisement of the tested material, product or service must first be approved in writing by Intertek. The observations and test results in this report are relevant only to the sample tested. This report by itself does not imply that the material, product, or service is or has ever been under an Intertek certification program.

© 2017 Intertek

## TEST REPORT

### GENERAL INFORMATION

<b>Grantee:</b>	Flycatcher Inc.
<b>Grantee Address:</b>	59 East 54 Street, Suite 72, New York, NY 10022, U.S.A.
<b>Contact Person:</b>	Shay Chen
<b>Tel:</b>	612 293 8707
<b>Fax:</b>	646 491 6399
<b>e-mail:</b>	shay@flycatcherapps.com
<b>Manufacturer:</b>	Flycatcher Inc.
<b>Manufacturer Address:</b>	59 East 54 Street, Suite 72, New York, NY 10022, U.S.A.
<b>Brand Name:</b>	smART sketcher, smART sketcher Projector
<b>Model / HVIN:</b>	FCSS00011
<b>PMN:</b>	smART sketcher Projector
<b>Type of EUT:</b>	Transceiver
<b>Description of EUT:</b>	"STEAM" (Science, Technology, Engineering, Arts and Math) Toy Projector
<b>Serial Number:</b>	N/A
<b>FCC ID / IC:</b>	2AMQX10126653543 / 23159-FCSS00011
<b>Date of Sample Submitted:</b>	May 30, 2018
<b>Date of Test:</b>	May 30, 2018 to June 06, 2018
<b>Report No.:</b>	18051746HKG-001R1
<b>Report Date:</b>	June 25, 2018
<b>Environmental Conditions:</b>	Temperature: +10 to 40°C Humidity: 10 to 90%

## TEST REPORT

### SUMMARY OF TEST RESULT

Test Specification	Reference	Results
Transmitter Power Line Conducted Emissions	15.207 / RSS-Gen 8.8	Pass
Radiated Emission	15.249, 15.209 /	Pass
Radiated Emission on the Bandedge	RSS-210 B.10, RSS-210 4.4	
Radiated Emission in Restricted Bands	15.205 / RSS-210 4.1	Pass

The equipment under test is found to be complying with the following standards:

FCC Part 15, October 1, 2016 Edition

RSS-210 Issue 9, August 2016

RSS-Gen Issue 4, November 2014

- Note:
1. The EUT uses a permanently attached antenna which, in accordance to section 15.203, is considered sufficient to comply with the provisions of this section.
  2. Pursuant to FCC part 15 Section 15.215(c), the 20 dB bandwidth of the emission was contained within the frequency band designated (mentioned as above) which the EUT operated. The effects, if any, from frequency sweeping, frequency hopping, other modulation techniques and frequency stability over expected variations in temperature and supply voltage were considered.

**TEST REPORT**

**TABLE OF CONTENTS**

**1.0 GENERAL DESCRIPTION .....5**

    1.1 Product Description .....5

    1.2 Related Submittal(s) Grants.....5

    1.3 Test Methodology .....5

    1.4 Test Facility .....5

**2.0 SYSTEM TEST CONFIGURATION .....6**

    2.1 Justification .....6

    2.2 EUT Exercising Software .....6

    2.3 Special Accessories.....6

    2.4 Measurement Uncertainty .....6

    2.5 Support Equipment List and Description .....6

**3.0 EMISSION RESULTS.....7**

    3.1 Field Strength Calculation.....7

    3.2 Radiated Emission Configuration Photograph.....8

    3.3 Radiated Emission Data.....8

    3.4 Conducted Emission Configuration Photograph .....8

    3.5 Conducted Emission Data.....8

**4.0 EQUIPMENT PHOTOGRAPHS .....13**

**5.0 PRODUCT LABELLING.....13**

**6.0 TECHNICAL SPECIFICATIONS .....13**

**7.0 INSTRUCTION MANUAL.....13**

**8.0 MISCELLANEOUS INFORMATION .....14**

    8.1 Radiated Emission on the Bandedge.....14

    8.2 Discussion of Pulse Desensitization .....17

    8.3 Calculation of Average Factor .....17

    8.4 Emissions Test Procedures .....19

    8.5 Occupied Bandwidth .....23

**9.0 CONFIDENTIALITY REQUEST .....24**

**10.0 EQUIPMENT LIST .....24**

## TEST REPORT

### 1.0 GENERAL DESCRIPTION

#### 1.1 Product Description

The Equipment Under Test (EUT) is a Bluetooth projector with Bluetooth 4.2 BLE only function. The Bluetooth module in the EUT is operating in the frequency range from 2402MHz to 2480MHz (40 channels with 2MHz channel spacing). The EUT can be connected with a Bluetooth Device for choosing picture projected. The EUT is powered by 120VAC/5.9V DC adaptor or 4 x 1.5V D batteries.

The apps controls the picture projected under the projector light.

Antenna Type: Internal, Integral

For electronic filing, the brief circuit description is saved with filename: descri.pdf.

#### 1.2 Related Submittal(s) Grants

This is a single application for certification of a transceiver.

#### 1.3 Test Methodology

Both AC mains line-conducted and radiated emission measurements were performed according to the procedures in ANSI C63.10 (2013). All radiated measurements were performed in an 3m Chamber. Preliminary scans were performed in the 3m Chamber only to determine worst case modes. All radiated tests were performed at an antenna to EUT distance of 3 meters, unless stated otherwise in the “**Justification Section**” of this Application.

#### 1.4 Test Facility

The 3m Chamber and conducted measurement facility used to collect the radiated data is located at Workshop No. 3, G/F., World-Wide Industrial Centre, 43-47 Shan Mei Street, Fo Tan, Sha Tin, N.T., Hong Kong. This test facility and site measurement data have been placed on file with the FCC and IC No. 2042V-1.

## TEST REPORT

### 2.0 SYSTEM TEST CONFIGURATION

#### 2.1 Justification

The system was configured for testing in a typical fashion (as a customer would normally use it), and in the confines as outlined in ANSI C63.10 (2013).

The device was powered by new DC 6.0V (4 x 1.5V D batteries) and/or 120VAC/5.9V DC adaptor.

For maximizing emissions, the EUT was rotated through 360°, the antenna height was varied from 1 meter to 4 meters above the ground plane, and the antenna polarization was changed. This step by step procedure for maximizing emissions led to the data reported in Exhibit 3.0.

#### 2.2 EUT Exercising Software

There was no special software to exercise the device. Once the unit is powered up, it transmits the RF signal continuously.

#### 2.3 Special Accessories

There are no special accessories necessary for compliance of this product.

#### 2.4 Measurement Uncertainty

When determining of the test conclusion, the Measurement Uncertainty of test has been considered.

#### 2.5 Support Equipment List and Description

N/A.

## TEST REPORT

### 3.0 EMISSION RESULTS

Data is included of the worst case configuration (the configuration which resulted in the highest emission levels). A sample calculation, configuration photographs and data tables of the emissions are included.

#### 3.1 Field Strength Calculation

The field strength is calculated by adding the Antenna Factor and Cable Factor, and subtracting the Amplifier Gain (if any), Average Factor (optional) from the measured reading. The basic equation with a sample calculation is as follows:

$$FS = RA + AF + CF - AG - AV$$

where FS = Field Strength in dB $\mu$ V/m

RA = Receiver Amplitude (including preamplifier) in dB $\mu$ V

CF = Cable Attenuation Factor in dB

AF = Antenna Factor in dB

AG = Amplifier Gain in dB

AV = Average Factor in dB

In the following table(s), the reading shown on the data table reflects the preamplifier gain. An example for the calculations in the following table is as follows:

$$FS = RR + LF$$

where FS = Field Strength in dB $\mu$ V/m

RR = RA - AG - AV in dB $\mu$ V

LF = CF + AF in dB

Assume a receiver reading of 52.0 dB $\mu$ V is obtained. The antenna factor of 7.4 dB and cable factor of 1.6 dB are added. The amplifier gain of 29 dB and average factor of 5 dB are subtracted, giving a field strength of 27 dB $\mu$ V/m. This value in dB $\mu$ V/m was converted to its corresponding level in  $\mu$ V/m.

$$RA = 52.0 \text{ dB}\mu\text{V/m}$$

$$AF = 7.4 \text{ dB}$$

$$CF = 1.6 \text{ dB}$$

$$AG = 29.0 \text{ dB}$$

$$AV = 5.0 \text{ dB}$$

$$FS = RR + LF$$

$$FS = 18 + 9 = 27 \text{ dB}\mu\text{V/m}$$

$$RR = 18.0 \text{ dB}\mu\text{V}$$

$$LF = 9.0 \text{ dB}$$

$$\text{Level in } \mu\text{V/m} = \text{Common Antilogarithm } [(27 \text{ dB}\mu\text{V/m})/20] = 22.4 \mu\text{V/m}$$

## TEST REPORT

### 3.2 Radiated Emission Configuration Photograph

The worst case in radiated emission was found at 469.5 kHz

For electronic filing, the worst case radiated emission configuration photographs are saved with filename: radiated photos.pdf.

### 3.3 Radiated Emission Data

The data on the following page lists the significant emission frequencies, the limit and the margin of compliance. Numbers with a minus sign are below the limit.

Judgment: Passed by 14.42 dB

### 3.4 Conducted Emission Configuration Photograph

The worst case in line-conducted emission was found at 9760 MHz

For electronic filing, the worst case line-conducted configuration photographs are saved with filename: conducted photo.pdf.

### 3.5 Conducted Emission Data

For electronic filing, the graph and data table of conducted emission is saved with filename: conducted.pdf.

Judgment: Pass by 26.2 dB



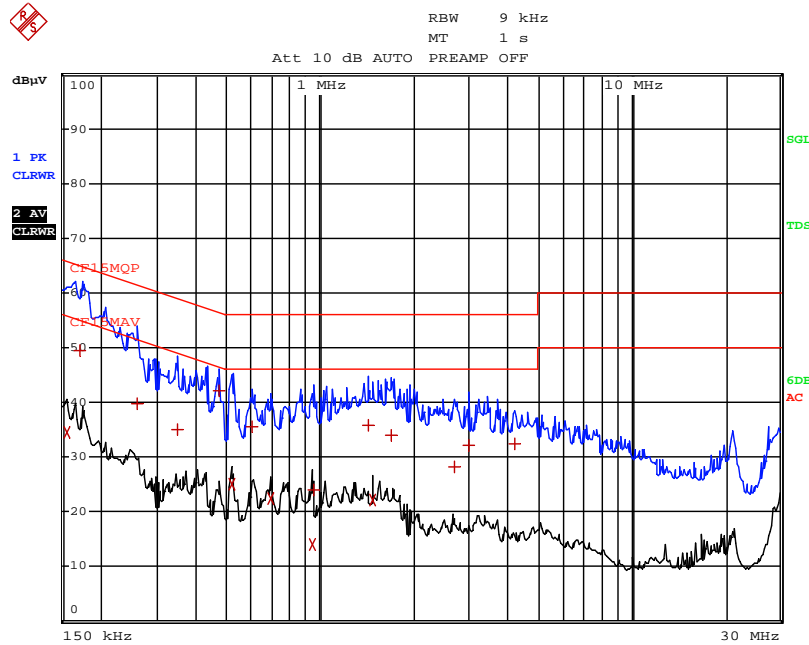
**TEST REPORT**

**CONDUCTED EMISSION**

Model: FCSS00011

Date of Test: June 06, 2018

Worst-Case Operating Mode: Test mode transmitting



EDIT PEAK LIST (Final Measurement Results)				
Trace1:	CF15MQP			
Trace2:	CF15MAV			
Trace3:	---			
TRACE	FREQUENCY	LEVEL dBµV		DELTA LIMIT dB
2 CISPR Average	154.5 kHz	34.53	L1	-21.22
1 Quasi Peak	172.5 kHz	49.44	N	-15.39
1 Quasi Peak	258 kHz	39.77	L1	-21.71
1 Quasi Peak	348 kHz	35.09	N	-23.91
1 Quasi Peak	469.5 kHz	42.09	L1	-14.42
2 CISPR Average	519 kHz	25.13	N	-20.86
1 Quasi Peak	604.5 kHz	35.58	L1	-20.41
2 CISPR Average	690 kHz	22.34	L1	-23.65
2 CISPR Average	946.5 kHz	14.06	N	-31.93
1 Quasi Peak	951 kHz	24.05	L1	-31.94
1 Quasi Peak	1.4235 MHz	35.82	L1	-20.17
2 CISPR Average	1.473 MHz	22.26	L1	-23.73
1 Quasi Peak	1.698 MHz	34.06	L1	-21.93
1 Quasi Peak	2.697 MHz	28.10	N	-27.89
1 Quasi Peak	2.9985 MHz	32.27	N	-23.72
1 Quasi Peak	4.2 MHz	32.35	L1	-23.64

Note: Measurement Uncertainty is ±4.2dB at a level of confidence of 95%.

**TEST REPORT**

**RADIATED EMISSIONS**

Model: FCSS00011

Date of Test: June 06, 2018

Worst-Case Operating Mode: Transmitting

Table 1  
Pursuant to FCC Part 15 Section 15.249 / RSS-210 B10.0 Requirement

Lowest Channel

Polarization	Frequency (MHz)	Reading (dBμV)	Pre-Amp Gain (dB)	Antenna Factor (dB)	Net at 3m - Peak (dBμV/m)	Average Factor (dB)	Calculated at 3m (dBμV/m)	Average Limit at 3m (dBμV/m)	Margin (dB)
V	2402.000	89.9	33	29.4	86.3	48.8	37.5	94.0	-56.5
V	<b>4804.000</b>	<b>37.5</b>	<b>33</b>	<b>34.9</b>	<b>39.4</b>	<b>48.8</b>	<b>-9.4</b>	<b>54.0</b>	<b>-63.4</b>
V	7206.000	36.3	33	37.9	41.2	48.8	-7.6	54.0	-61.6
V	9608.000	39.9	33	40.4	47.3	48.8	-1.5	54.0	-55.5
V	<b>12010.000</b>	<b>33.7</b>	<b>33</b>	<b>40.5</b>	<b>41.2</b>	<b>48.8</b>	<b>-7.6</b>	<b>54.0</b>	<b>-61.6</b>
V	14412.000	36.8	33	40.0	43.8	48.8	-5.0	54.0	-59.0

Polarization	Frequency (MHz)	Reading (dBμV)	Pre-Amp Gain (dB)	Antenna Factor (dB)	Net at 3m - Peak (dBμV/m)	Peak Limit at 3m (dBμV/m)	Margin (dB)
V	2402.000	89.9	33	29.4	86.3	114.0	-27.7
V	<b>4804.000</b>	<b>37.5</b>	<b>33</b>	<b>34.9</b>	<b>39.4</b>	<b>74.0</b>	<b>-34.6</b>
V	7206.000	36.3	33	37.9	41.2	74.0	-32.8
V	9608.000	39.9	33	40.4	47.3	74.0	-26.7
V	<b>12010.000</b>	<b>33.7</b>	<b>33</b>	<b>40.5</b>	<b>41.2</b>	<b>74.0</b>	<b>-32.8</b>
V	14412.000	36.8	33	40.0	43.8	74.0	-30.2

- NOTES:
1. Peak Detector Data unless otherwise stated.
  2. All measurements were made at 3 meters. Harmonic emissions not detected at the 3-meter distances were measured at 0.3-meter and an inverse proportional extrapolation was performed to compare the signal level to the 3-meter limit. No other harmonic emissions than those reported were detected at a test distance of 0.3-meter.
  3. Negative sign in the column shows value below limit.
  4. Horn antenna is used for the emission over 1000MHz.
  5. Emission (the row indicated by **bold italic**) within the restricted band meets the requirement of FCC Part 15 Section 15.205 / RSS-210 4.1.
  6. Measurement Uncertainty is ±5.3dB at a level of confidence of 95%.

**TEST REPORT**

Model: FCSS00011

Date of Test: June 06, 2018

Worst-Case Operating Mode: Transmitting

Table 2  
Pursuant to FCC Part 15 Section 15.249 / RSS-210 B10.0 Requirement

Middle Channel

Polarization	Frequency (MHz)	Reading (dBμV)	Pre-Amp Gain (dB)	Antenna Factor (dB)	Net at 3m - Peak (dBμV/m)	Average Factor (dB)	Calculated at 3m (dBμV/m)	Average Limit at 3m (dBμV/m)	Margin (dB)
H	2440.000	88.0	33	29.4	84.4	48.8	35.6	94.0	-58.4
V	<b>4880.000</b>	<b>37.8</b>	<b>33</b>	<b>34.9</b>	<b>39.7</b>	<b>48.8</b>	<b>-9.1</b>	<b>54.0</b>	<b>-63.1</b>
V	<b>7320.000</b>	<b>36.8</b>	<b>33</b>	<b>37.9</b>	<b>41.7</b>	<b>48.8</b>	<b>-7.1</b>	<b>54.0</b>	<b>-61.1</b>
V	9760.000	40.4	33	40.4	47.8	48.8	-1.0	54.0	-55.0
V	<b>12200.000</b>	<b>33.6</b>	<b>33</b>	<b>40.5</b>	<b>41.1</b>	<b>48.8</b>	<b>-7.7</b>	<b>54.0</b>	<b>-61.7</b>
V	14640.000	37.9	33	38.4	43.3	48.8	-5.5	54.0	-59.5

Polarization	Frequency (MHz)	Reading (dBμV)	Pre-Amp Gain (dB)	Antenna Factor (dB)	Net at 3m - Peak (dBμV/m)	Peak Limit at 3m (dBμV/m)	Margin (dB)
H	2440.000	88.0	33	29.4	84.4	114.0	-29.6
V	<b>4880.000</b>	<b>37.8</b>	<b>33</b>	<b>34.9</b>	<b>39.7</b>	<b>74.0</b>	<b>-34.3</b>
V	<b>7320.000</b>	<b>36.8</b>	<b>33</b>	<b>37.9</b>	<b>41.7</b>	<b>74.0</b>	<b>-32.3</b>
V	9760.000	40.4	33	40.4	47.8	74.0	-26.2
V	<b>12200.000</b>	<b>33.6</b>	<b>33</b>	<b>40.5</b>	<b>41.1</b>	<b>74.0</b>	<b>-32.9</b>
V	14640.000	37.9	33	38.4	43.3	74.0	-30.7

- NOTES:
1. Peak Detector Data unless otherwise stated.
  2. All measurements were made at 3 meters. Harmonic emissions not detected at the 3-meter distances were measured at 0.3-meter and an inverse proportional extrapolation was performed to compare the signal level to the 3-meter limit. No other harmonic emissions than those reported were detected at a test distance of 0.3-meter.
  3. Negative sign in the column shows value below limit.
  4. Horn antenna is used for the emission over 1000MHz.
  5. Emission (the row indicated by **bold italic**) within the restricted band meets the requirement of FCC Part 15 Section 15.205 / RSS-210 4.1.
  6. Measurement Uncertainty is ±5.3dB at a level of confidence of 95%.

## TEST REPORT

Model: FCSS00011

Date of Test: June 06, 2018

Worst-Case Operating Mode: Transmitting

Table 3  
Pursuant to FCC Part 15 Section 15.249 / RSS-210 B10.0 Requirement

### Highest Channel

Polarization	Frequency (MHz)	Reading (dB $\mu$ V)	Pre-Amp Gain (dB)	Antenna Factor (dB)	Net at 3m - Peak (dB $\mu$ V/m)	Average Factor (dB)	Calculated at 3m (dB $\mu$ V/m)	Average Limit at 3m (dB $\mu$ V/m)	Margin (dB)
H	2480.000	87.5	33	29.4	83.9	48.8	35.1	94.0	-58.9
<b>V</b>	<b>4960.000</b>	<b>37.4</b>	<b>33</b>	<b>34.9</b>	<b>39.3</b>	<b>48.8</b>	<b>-9.5</b>	<b>54.0</b>	<b>-63.5</b>
<b>V</b>	<b>7440.000</b>	<b>36.9</b>	<b>33</b>	<b>37.9</b>	<b>41.8</b>	<b>48.8</b>	<b>-7.0</b>	<b>54.0</b>	<b>-61.0</b>
V	9920.000	39.9	33	40.4	47.3	48.8	-1.5	54.0	-55.5
<b>V</b>	<b>12400.000</b>	<b>34.2</b>	<b>33</b>	<b>40.5</b>	<b>41.7</b>	<b>48.8</b>	<b>-7.1</b>	<b>54.0</b>	<b>-61.1</b>
V	14880.000	37.7	33	38.4	43.1	48.8	-5.7	54.0	-59.7

Polarization	Frequency (MHz)	Reading (dB $\mu$ V)	Pre-Amp Gain (dB)	Antenna Factor (dB)	Net at 3m - Peak (dB $\mu$ V/m)	Peak Limit at 3m (dB $\mu$ V/m)	Margin (dB)
H	2480.000	87.5	33	29.4	83.9	114.0	-30.1
<b>H</b>	<b>4960.000</b>	<b>37.4</b>	<b>33</b>	<b>34.9</b>	<b>39.3</b>	<b>74.0</b>	<b>-34.7</b>
<b>H</b>	<b>7440.000</b>	<b>36.9</b>	<b>33</b>	<b>37.9</b>	<b>41.8</b>	<b>74.0</b>	<b>-32.2</b>
H	9920.000	39.9	33	40.4	47.3	74.0	-26.7
<b>H</b>	<b>12400.000</b>	<b>34.2</b>	<b>33</b>	<b>40.5</b>	<b>41.7</b>	<b>74.0</b>	<b>-32.3</b>
H	14880.000	37.7	33	38.4	43.1	74.0	-30.9

- NOTES:
1. Peak Detector Data unless otherwise stated.
  2. All measurements were made at 3 meters. Harmonic emissions not detected at the 3-meter distances were measured at 0.3-meter and an inverse proportional extrapolation was performed to compare the signal level to the 3-meter limit. No other harmonic emissions than those reported were detected at a test distance of 0.3-meter.
  3. Negative sign in the column shows value below limit.
  4. Horn antenna is used for the emission over 1000MHz.
  5. Emission (the row indicated by **bold italic**) within the restricted band meets the requirement of FCC Part 15 Section 15.205 / RSS-210 4.1.
  6. Measurement Uncertainty is  $\pm 5.3$ dB at a level of confidence of 95%.

## TEST REPORT

### 4.0 EQUIPMENT PHOTOGRAPHS

For electronic filing, the photographs are saved with filename: external photos.pdf and internal photos.pdf.

### 5.0 PRODUCT LABELLING

For electronics filing, the FCC ID label artwork and the label location are saved with filename: label.pdf.

### 6.0 TECHNICAL SPECIFICATIONS

For electronic filing, the block diagram and schematic of the tested EUT are saved with filename: block.pdf and circuit.pdf respectively.

### 7.0 INSTRUCTION MANUAL

For electronic filing, a preliminary copy of the Instruction Manual is saved with filename: manual.pdf.

This manual will be provided to the end-user with each unit sold/leased in the United States and Canada.

## TEST REPORT

### 8.0 MISCELLANEOUS INFORMATION

The miscellaneous information includes details of the test procedure and measured bandwidth / calculation of factor such as pulse desensitization and averaging factor (calculation and timing diagram).

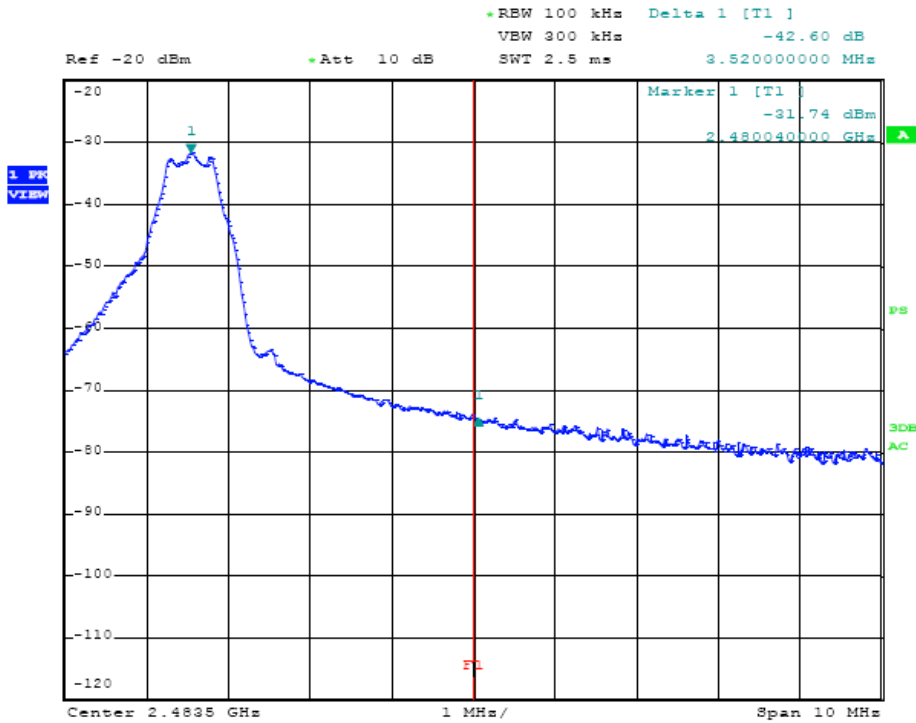
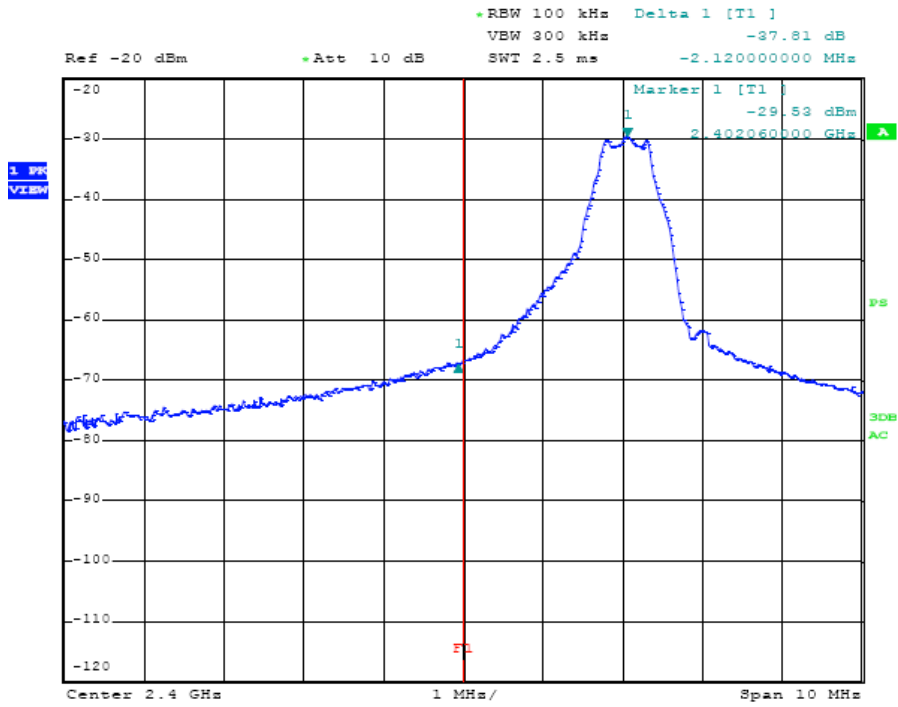
#### 8.1 Radiated Emission on the Bandedge

From the following plots, they show that the fundamental emissions are confined in the specified band (2400MHz to 2483.5MHz). In case of the fundamental emissions are within two standard bandwidths from the bandedge, the delta measurement technique is used for determining bandedge compliance. Standard bandwidth is the bandwidth specified by ANSI C63.10 (2013) for frequency being measured.

Emissions radiated outside of the specified frequency bands, except harmonics, are attenuated by 50dB below the level of the fundamental or to the general radiated emissions limits in Section 15.209 / RSS-210 4.4, whichever is the lesser attenuation, which meet the requirement of part 15.249(d) / RSS-210 B.10.

**TEST REPORT**

**PEAK MEASUREMENT**



## TEST REPORT

### PEAK MEASUREMENT

Bandedge compliance is determined by applying marker-delta method, i.e. (Bandedge Plot).

Lower bandedge

Peak Resultant field strength = Fundamental emissions (peak value) – delta from the plot

$$=86.3 \text{ dB}\mu\text{V/m} - 37.8 \text{ dB}$$

$$=48.5 \text{ dB}\mu\text{V/m}$$

Average Resultant field strength = Fundamental emissions (average value) – delta from the plot

$$=37.5 \text{ dB}\mu\text{V/m} - 37.8 \text{ dB}$$

$$=-0.3 \text{ dB}\mu\text{V/m}$$

Upper bandedge

Peak Resultant field strength = Fundamental emissions (peak value) – delta from the plot

$$=83.9 \text{ dB}\mu\text{V/m} - 42.6 \text{ dB}$$

$$=41.3 \text{ dB}\mu\text{V/m}$$

Average Resultant field strength = Fundamental emissions (average value) – delta from the plot

$$=35.1 \text{ dB}\mu\text{V/m} - 42.6 \text{ dB}$$

$$=-7.5 \text{ dB}\mu\text{V/m}$$

The resultant field strength meets the general radiated emission limit in Section 15.209 / RSS-210 4.4, which does not exceed 74 dB $\mu$ V/m (Peak Limit) but exceeded 54 dB $\mu$ V/m (Average Limit).



## TEST REPORT

### 8.2 Discussion of Pulse Desensitization

Pulse desensitivity is not applicable for this device. The effective period (Teff) is approximately 0.362ms for a digital "1" bit which illustrated on technical specification, with a resolution bandwidth (3dB) of 1MHz, so the pulse desensitivity factor is 0dB.

### 8.3 Calculation of Average Factor

The duty cycle is simply the on-time divided by the period:

The duration of one cycle = 100 ms

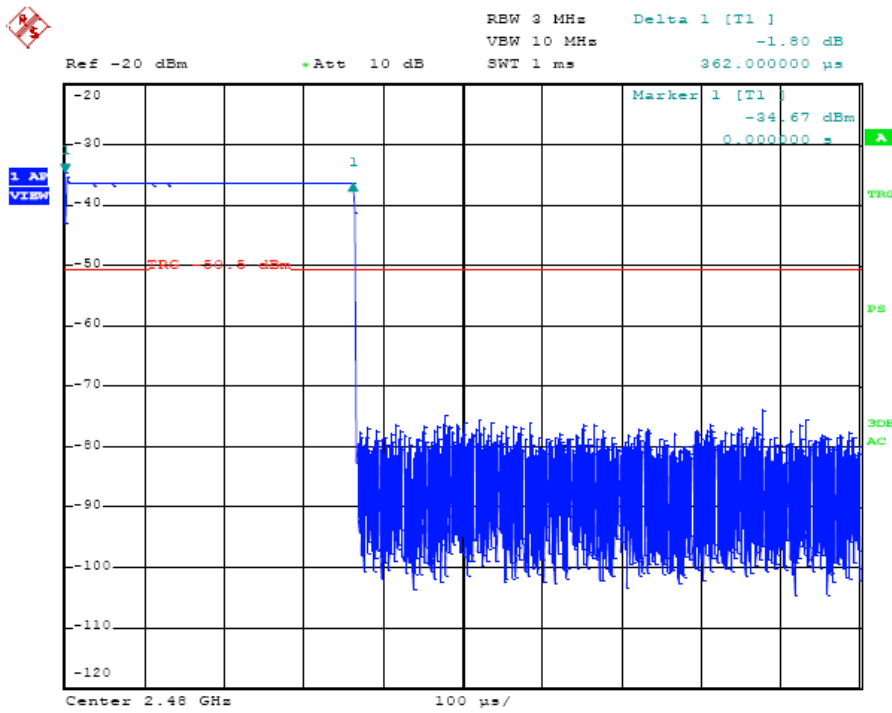
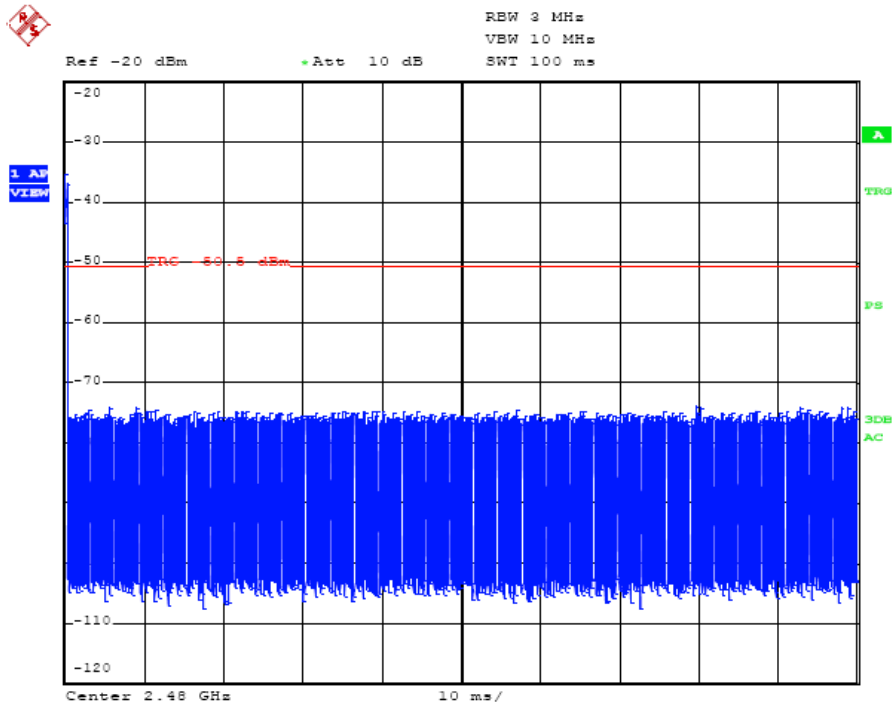
Effective period of the cycle =  $1 \times 0.362 = 0.362$  ms

DC =  $0.362/100 = 0.00362$

Therefore, the averaging factor is found by  $20\log 0.00362 = -48.8$  dB.

**TEST REPORT**

**AVERAGE FACTOR**



## TEST REPORT

### 8.4 Emissions Test Procedures

The following is a description of the test procedure used by Intertek Testing Services Hong Kong Ltd. in the measurements of transmitter operating under the Part 15, Subpart C rules.

The transmitting equipment under test (EUT) is placed on a wooden turntable which is four feet in diameter and approximately 0.8m in height above the ground plane for emission measurement at or below 1GHz and 1.5m in height above the ground plane for emission measurement above 1GHz. During the radiated emissions test, the turntable is rotated and any cables leaving the EUT are manipulated to find the configuration resulting in maximum emissions. The EUT is adjusted through all three orthogonal axis to obtain maximum emission levels. The antenna height and polarization are also varied during the testing to search for maximum signal levels. The height of the antenna is varied from one to four meters.

Detector function for radiated emissions is in peak mode. Average readings, when required, are taken by measuring the duty cycle of the equipment under test and subtracting the corresponding amount in dB from the measured peak readings. A detailed description for the calculation of the average factor can be found in Exhibit 8.3.

The frequency range scanned is from the lowest radio frequency signal generated in the device which is greater than 9 kHz to the tenth harmonic of the highest fundamental frequency or 40 GHz, whichever is lower. For line conducted emissions, the range scanned is 150 kHz to 30 MHz.

## TEST REPORT

### 8.4 Emissions Test Procedures (cont'd)

The EUT is warmed up for 15 minutes prior to the test.

AC power to the unit is varied from 85% to 115% nominal and variation in the fundamental emission field strength is recorded. If battery powered, a new, fully charged battery is used.

Conducted measurements were made as described in ANSI C63.10 (2013).

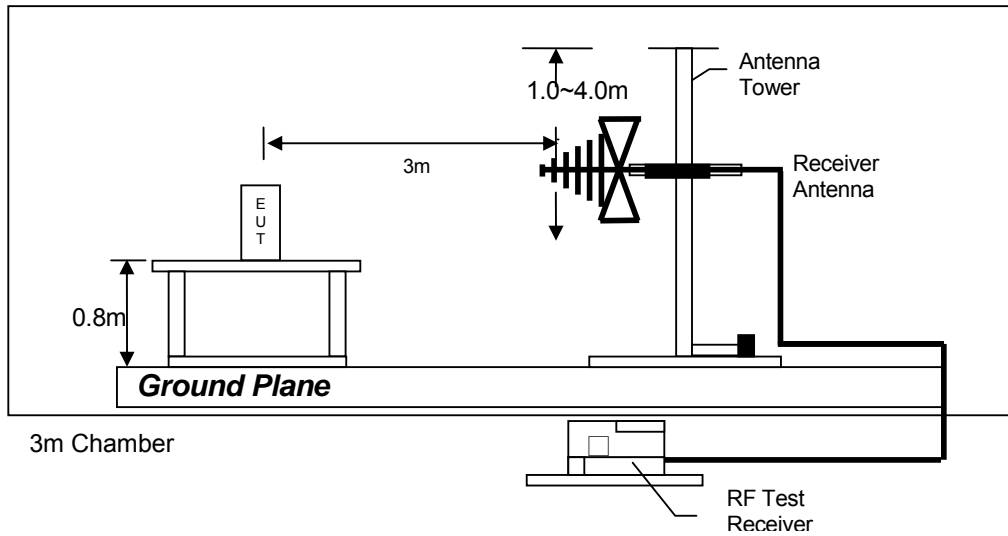
The IF bandwidth used for measurement of radiated signal strength was 100 kHz or greater when frequency is below 1000 MHz. Where pulsed transmissions of short enough pulse duration warrant, a greater bandwidth is selected according to the recommendations of Hewlett Packard Application Note 150-2. A discussion of whether pulse desensitivity is applicable to this unit is included in this report (See Exhibit 8.1). Above 1000 MHz, a resolution bandwidth of 3 MHz is used.

Transmitter measurements are normally conducted at a measurement distance of three meters. However, to assure low enough noise floor in the forbidden bands and above 1 GHz, signals are acquired at a distance of one meter or less. All measurements are extrapolated to three meters using inverse scaling, unless otherwise reported. Measurements taken at a closer distance are so marked.

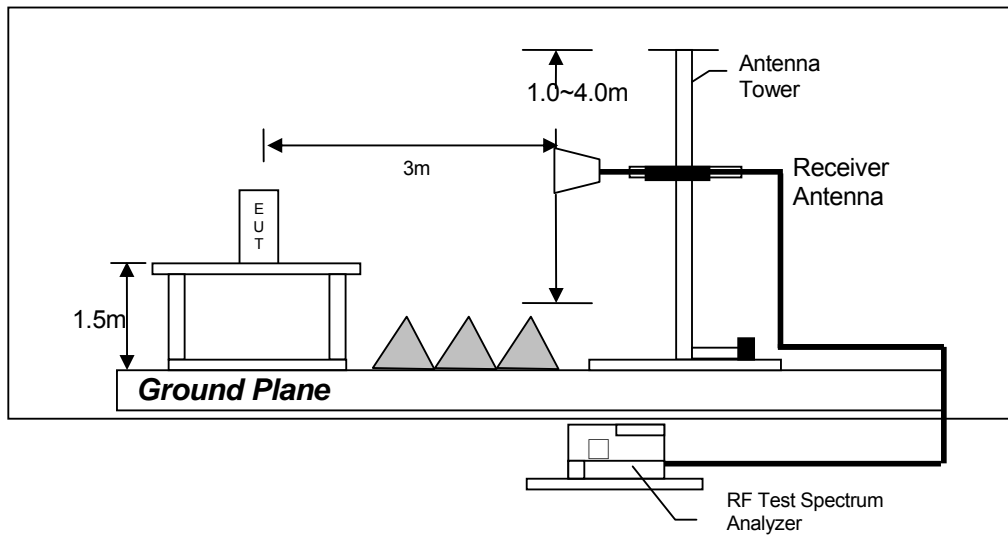
## TEST REPORT

### 8.4.1 Radiated Emission Test Setup

The figure below shows the test setup, which is utilized to make these measurements.



Test setup of radiated emissions up to 1GHz



Test setup of radiated emissions above 1GHz

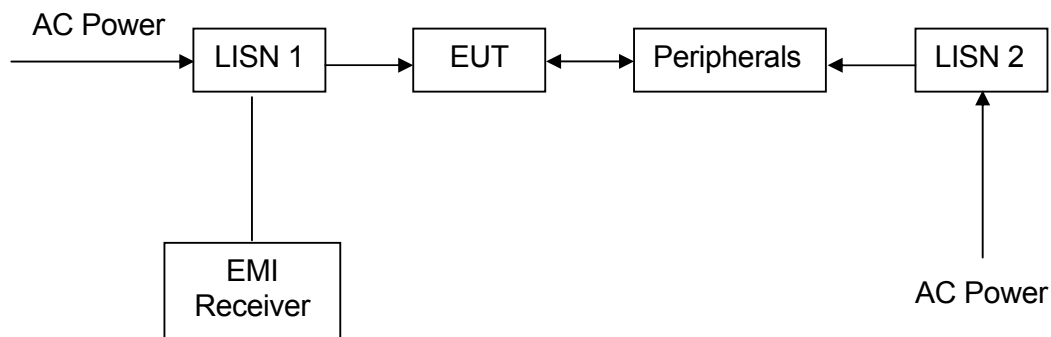
## TEST REPORT

### 8.4.2 Conducted Emission Test Procedures

For tabletop equipment, the EUT along with its peripherals were placed on a 1.0m(W)×1.5m(L) and 0.8m in height wooden table. For floor-standing equipment, the EUT and all cables were insulated, if required, from the ground plane by up to 12 mm of insulating material. The EUT was adjusted to maintain a 0.4 meter space from a vertical reference plane. The EUT was connected to power mains through a line impedance stabilization network (LISN), which provided 50 ohm coupling impedance for measuring instrument and the chassis ground was bounded to the horizontal ground plane of shielded room. The excess power cable between the EUT and the LISN was bundled.

All connecting cables of EUT and peripherals were moved to find the maximum emission.

### 8.4.3 Conducted Emission Test Setup



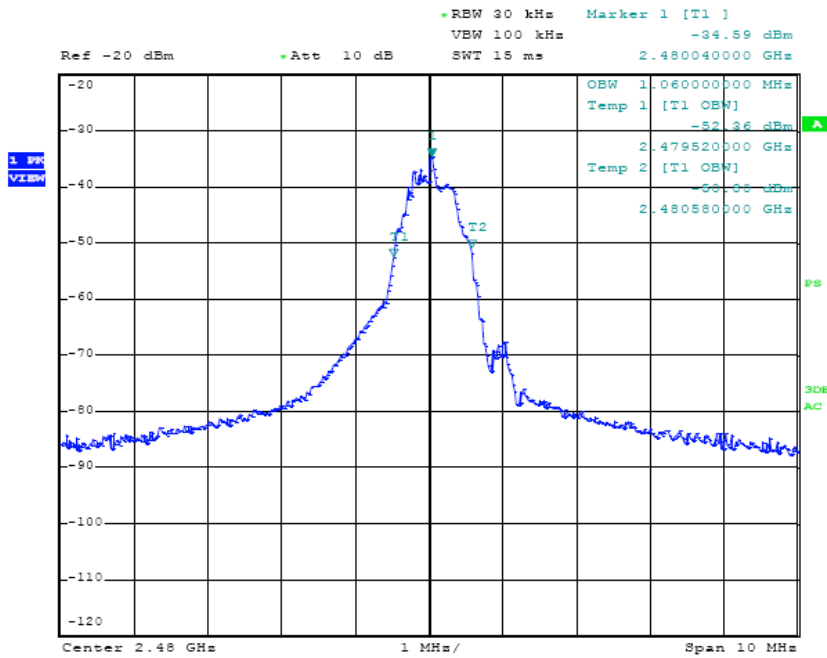
**TEST REPORT**

8.5 Occupied Bandwidth

Occupied Bandwidth Results:

Occupied Bandwidth (MHz)	
Low Channel: 2402	1.04
Middle Channel: 2440	1.04
High Channel: 2480	1.06

The worst case is shown as below



## TEST REPORT

### 9.0 CONFIDENTIALITY REQUEST

For electronic filing, a preliminary copy of the confidentiality request is saved with filename: request.pdf.

### 10.0 EQUIPMENT LIST

#### 1) Radiated Emissions Test

Equipment	Spectrum Analyzer	EMI Test Receiver	Pyramidal Horn Antenna
Registration No.	EW-3281	EW-3156	EW-0905
Manufacturer	ROHDESCHWARZ	R&S	EMCO
Model No.	FSV40	ESR26	3160-09
Calibration Date	January 02, 2018	November 10, 2017	May 05, 2017
Calibration Due Date	January 02, 2019	November 10, 2018	November 24, 2018

Equipment	Log Periodic Antenna	Double Ridged Guide Antenna	RF Cable 14m (1GHz to 26.5GHz)
Registration No.	EW-1042	EW-1133	EW-2781
Manufacturer	EMCO	EMCO	GREATBILLION
Model No.	3148	3115	SMA m/SHF5MPU /SMA m ra14m,26G
Calibration Date	June 19, 2017	May 24, 2017	September 25, 2017
Calibration Due Date	December 19, 2018	November 24, 2018	September 25, 2018

Equipment	RF Pre-amplifier 3 pcs (9kHz to 40GHz)	12m Double Shield RF Cable	Biconical Antenna
Registration No.	EW-3006	EW-1852	EW-3235
Manufacturer	SCHWARZBECK	RADIALL	EMCO
Model No.	BBV 9718 BBV9744 BBV 9721	N(m)-RG142 - N(m)	SBA9113-503
Calibration Date	January 30, 2018	January 19, 2018	September 29, 2016
Calibration Due Date	January 30, 2019	January 19, 2019	September 29, 2018

Equipment	High Pass Filter 3GHz to 12GHz (2 Pieces)	14m Double Shield RF Cable (20MHz - 6GHz)	Notch Filter (cutoff frequency 2.4GHz to 2.5GHz) 2 pieces
Registration No.	EW-1835	EW-2505	EW-2213
Manufacturer	KLMICROWAVE	RADIALL	MICROTRONICS
Model No.	11SH10-3000/T12000-0/OP	nm / br5d / sma 14m	BRM50701-02
Calibration Date	April 26, 2018	October 30, 2017	July 06, 2017
Calibration Due Date	April 26, 2019	October 30, 2018	June 29, 2018



**TEST REPORT**

2) Conducted Emissions Test

<b>Equipment</b>	<b>EMI Test Receiver</b>	<b>RF Cable 9kHz to 30MHz</b>	<b>Artificial Mains</b>
Registration No.	EW-2500	EW-2453	EW-0192
Manufacturer	R&S	N/A	R&S
Model No.	ESCI	9kHz to 1000MHz	ESH3-Z5
Calibration Date	October 13, 2017	September 15, 2017	October 27, 2017
Calibration Due Date	October 13, 2018	September 15, 2018	August 25, 2018

3) Bandedge Measurement

<b>Equipment</b>	<b>Spectrum Analyzer</b>
Registration No.	EW-2329
Manufacturer	R&S
Model No.	FSP3
Calibration Date	September 28, 2017
Calibration Due Date	September 28, 2018

**END OF TEST REPORT**