



Haylou T33

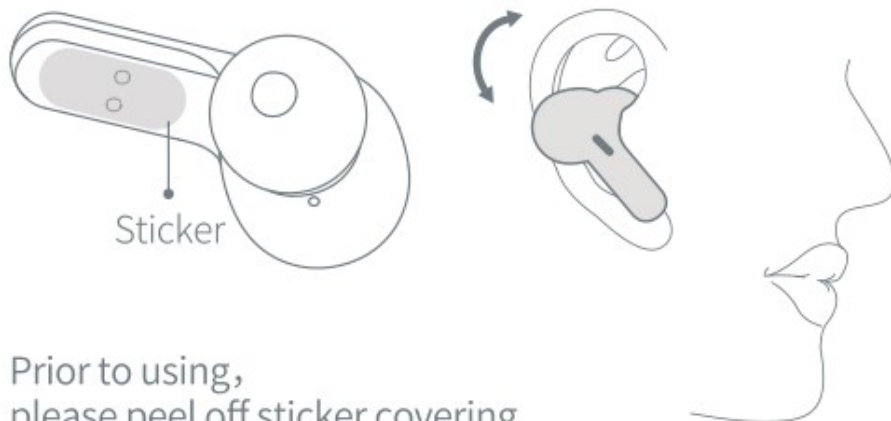
Truly Wireless Earbuds
User Manual

Overview How



What's in the Box

Bluetooth earbuds, charging case, eartips (2 pairs) ,
user manual, charging cable



Prior to using,
please peel off sticker covering
the pogo pins and top up both earbuds and charging case.

Earbuds Parameters

Operation range: 10m(open space with no obstacle)

Battery capacity: 40mAh(single earbud)

Charging time: approx. 1.5hr

Caling time: approx. 3hr

Standby time: approx. 105hr

Input: 5V \equiv 100mA

Battery type: Li-ion

Bluetooth version: V5.0

Charging Case Parameters

Input: 5V \equiv 500mA

Output: 5V \equiv 150mA

Charging time: approx.2.5hr

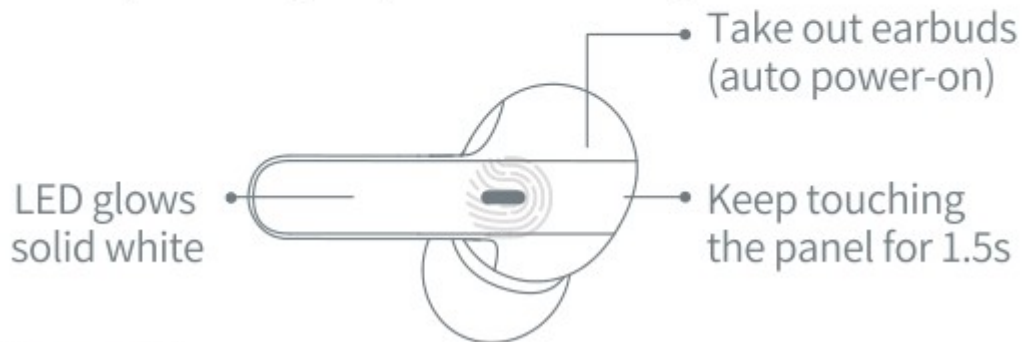
Standby time: approx.5 months

Battery capacity: 310mAh

Battery type: Li-ion

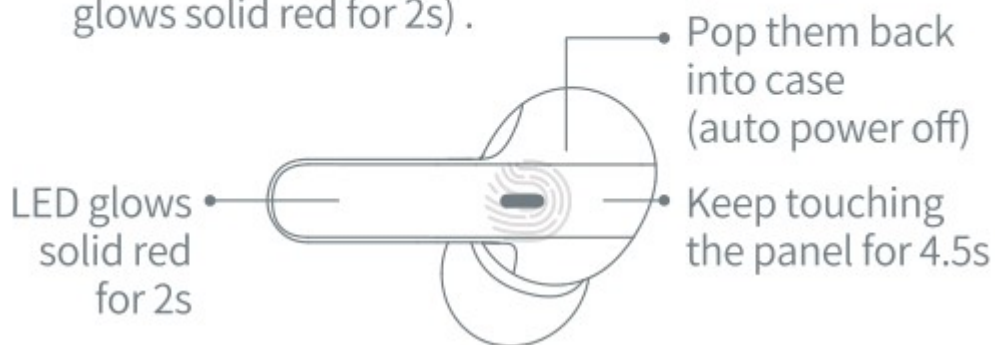
Power-on

- 1: takeout earbuds to auto power on.
- 2: keep touching the panel for 1.5s to power on.



Power-off

- 1: pop earbuds back into case to power off.
- 2: keep touching the panel for 4.5s to power off(LED glows solid red for 2s) .



Ignore Call

Keep touching the panel for 1s to ignore call.



How to Charge

Put earbuds back into the case to charge, earbuds will auto power off. LED will glow solid red when charging and turn to white for 1 minute once top up.

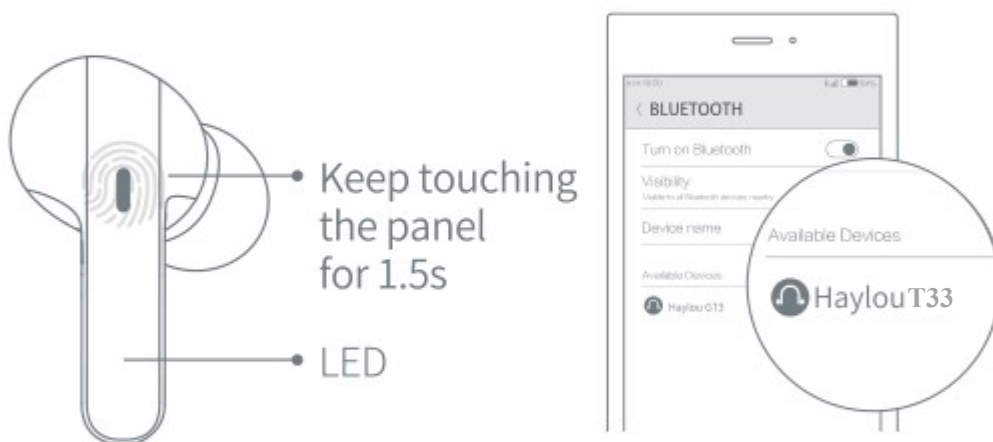


Auto connect: take out either earbud to power on. When LED blinks white slowly (before that it blinks red and white promptly), search for Haylou GT3 on cellphone and tap to connect.

Manual connection: when earbuds are turned off, manually turn on one of the earbuds. wait for the earbuds LED will then blink white slowly. On cellphone, search for the earbud and tap to connect.

Auto pairing:

Take out both earbuds from the case. On cellphone, search for Haylou GT3 and tap to connect. If you fail to build connection, please pull earbuds back into the case and repeat the above steps. Once connected, earbuds will auto reconnect to the last device in connectivity records whenever powering on (Bluetooth faculty needs to be turned on).



Manual connection: when earbuds are turned off, manually turn on both of them again, they auto start to pair with each other (LED will blink red and white promptly). When they finish pairing (LED on master earbud will blink white slowly), search on cellphone and tap to connect.

Functions



- Double touch left earbud
Skip track backward
- Double touch right earbud
Skip track forward
- Touch either earbud
Resume/ pause playing
- Double touch either earbud
Answer/end incoming call
- Keeping touching either earbud for 1s
Ignore incoming call
- Triple touch left earbud
Activate voice assistant when standby
- Triple touch right earbud
Activate voice assistant when standby

Caveats

1. Please charge the product, in case it has not been used over two weeks.
2. Please use certificated charger.
3. Do not wear earphones for along term to protect your hearing.
4. Do not wear earphones in any situations with potential risks as wearing them may reduce your perception to the outside world.

Daily maintenance

Please do not shower with earbuds. Do not wear them in rainy day. Do not leave them in washing machine or other extreme situations. Clean them with dry cloth after use in pursuing a longer service life.

! Factory Setting

If earbuds do not function well, please refer the following steps to reset factory: put earbuds back into the case to charge themselves, keep touching both panels for 10s or until LED blinks red and white 3 times. Delete relative connectivity records on cellphone and re-build connection with cellphone.

! Audio only outputs from single earbud

If earbuds are in case. Please reset the earbuds, remove connectivity record on your cellphone and re-connect the earbuds to your cellphone.

! Other problems in charging

LED glows solid white for 1 minute when earbuds are topped up.

Carry case will not charge earbuds, if its battery drains. LEDs on carry case will turn off once the case is topped up. If you charge it once again, LEDs will not give any notice, which does not mean the case is not charged.

Aftersales&Support

Warranty Period:

12 months after purchase

(please keep your receipt properly)

Free Service:

If any quality defects happen during the warranty period, please take the receipt and contact with your distributor for aftersales service.

Following cases or any damages/defects that are not due to quality issue are not covered in the warranty.

1.Any defects or damages caused by natural disasters, abnormal voltage or other environmental facts.

2.Any unauthorized disassembly, modification or change of parts.

3.Any damages caused by improper use of the product including soaking, corroding, falling down, squeezing or exposure to abnormal temperature or humidity.

Model Number:
Date of Purchasing:
User's Name:
User's Phone:
User's Address:
Shop's Name:
Shop's Address:
Comments:

FCC Statement

This equipment has been tested and found to comply with the limits for a Class B digital device, pursuant to Part 15 of the FCC Rules. These limits are designed to provide reasonable protection against harmful interference in a residential installation. This equipment generates uses and can radiate radio frequency energy and, if not installed and used in accordance with the instructions, may cause harmful interference to radio communications. However, there is no guarantee that interference will not occur in a particular installation. If this equipment does cause harmful interference to radio or television reception, which can be determined by turning the equipment off and on, the user is encouraged to try to correct the interference by one or more of the following measures:

- Reorient or relocate the receiving antenna.
- Increase the separation between the equipment and receiver.
- Connect the equipment into an outlet on a circuit different from that to which the receiver is connected.
- Consult the dealer or an experienced radio/TV technician for help.

This device complies with part 15 of the FCC Rules.

Operation is subject to the following two conditions:

- (1) This device may not cause harmful interference,
- and (2) this device must accept any interference received, including interference that may cause undesired operation.

Changes or modifications not expressly approved by the party responsible for compliance could void the user's authority to operate the equipment.



FCC ID: 2AMQ6-T33



XXX-XXXXXX