

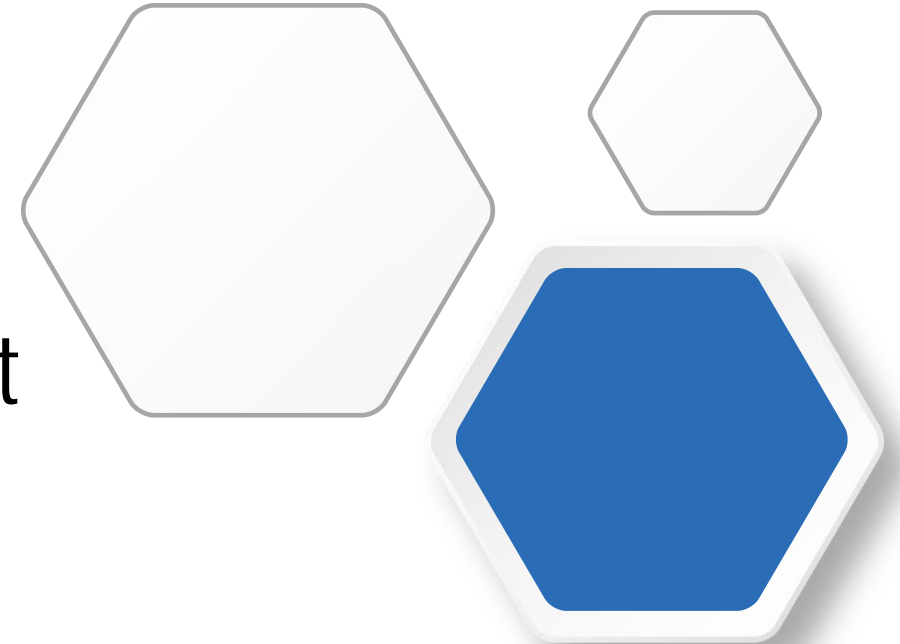


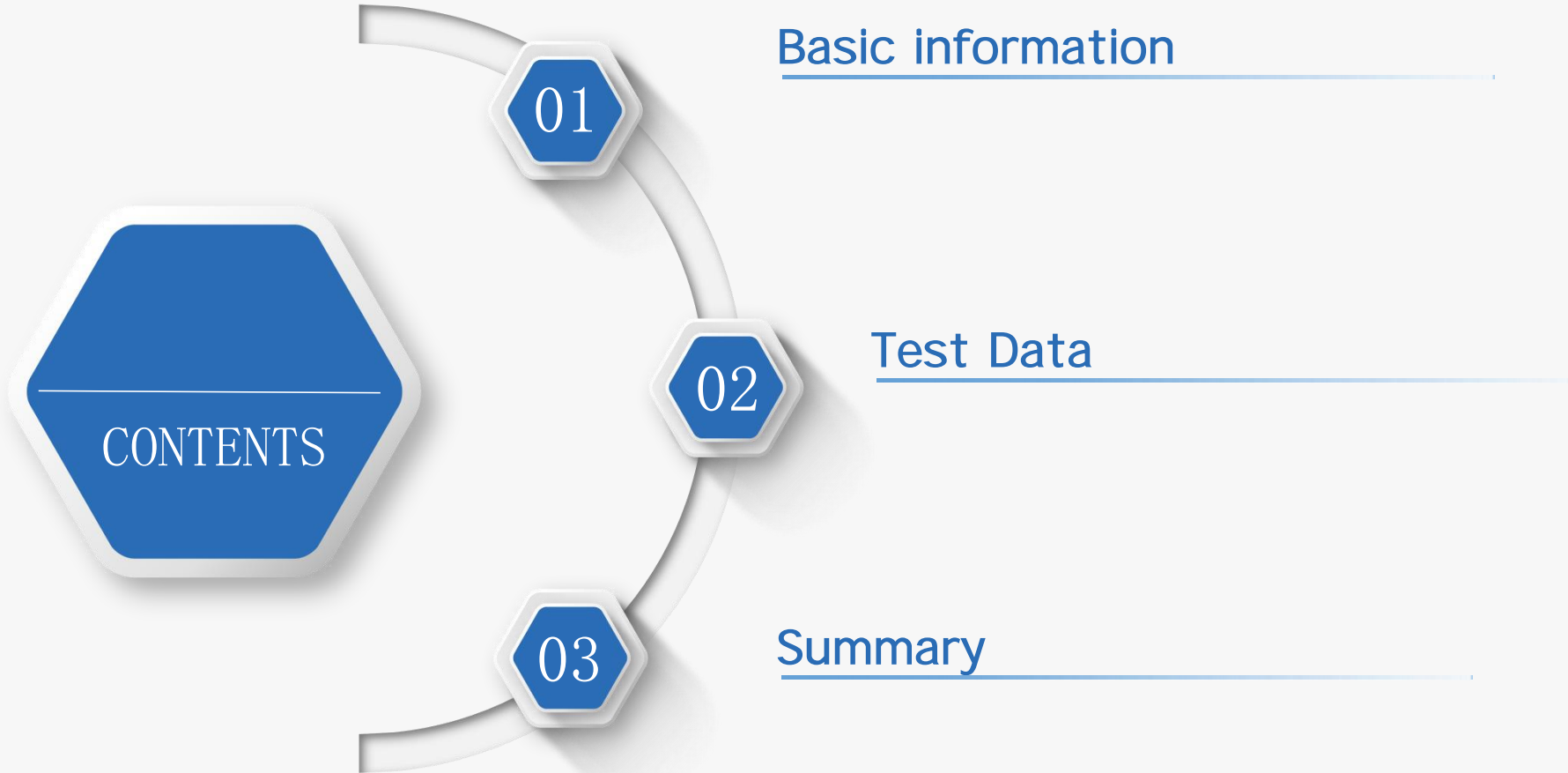
Antenna Testing Report



RF:Lee

Date:2023. 06. 09

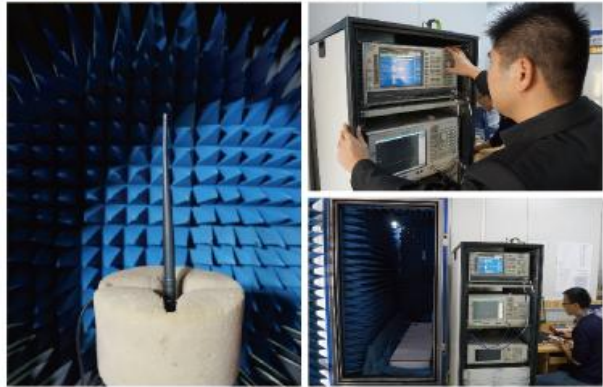
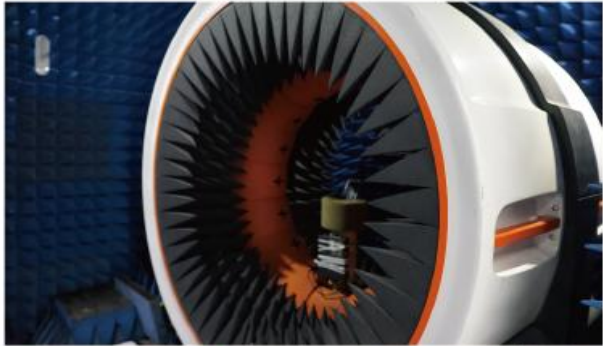




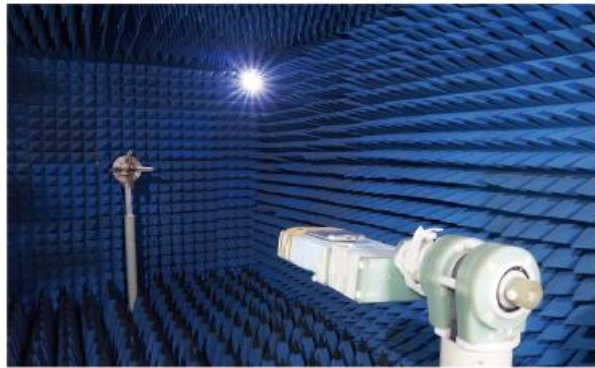


Basic information

【SATIMO】



【广屏】



- SATIMO, Agilent E5071C, Anristu MT8820C, CMW500, StarPointSP9500



machine data

Project name:

LS17

➤ Frequency:

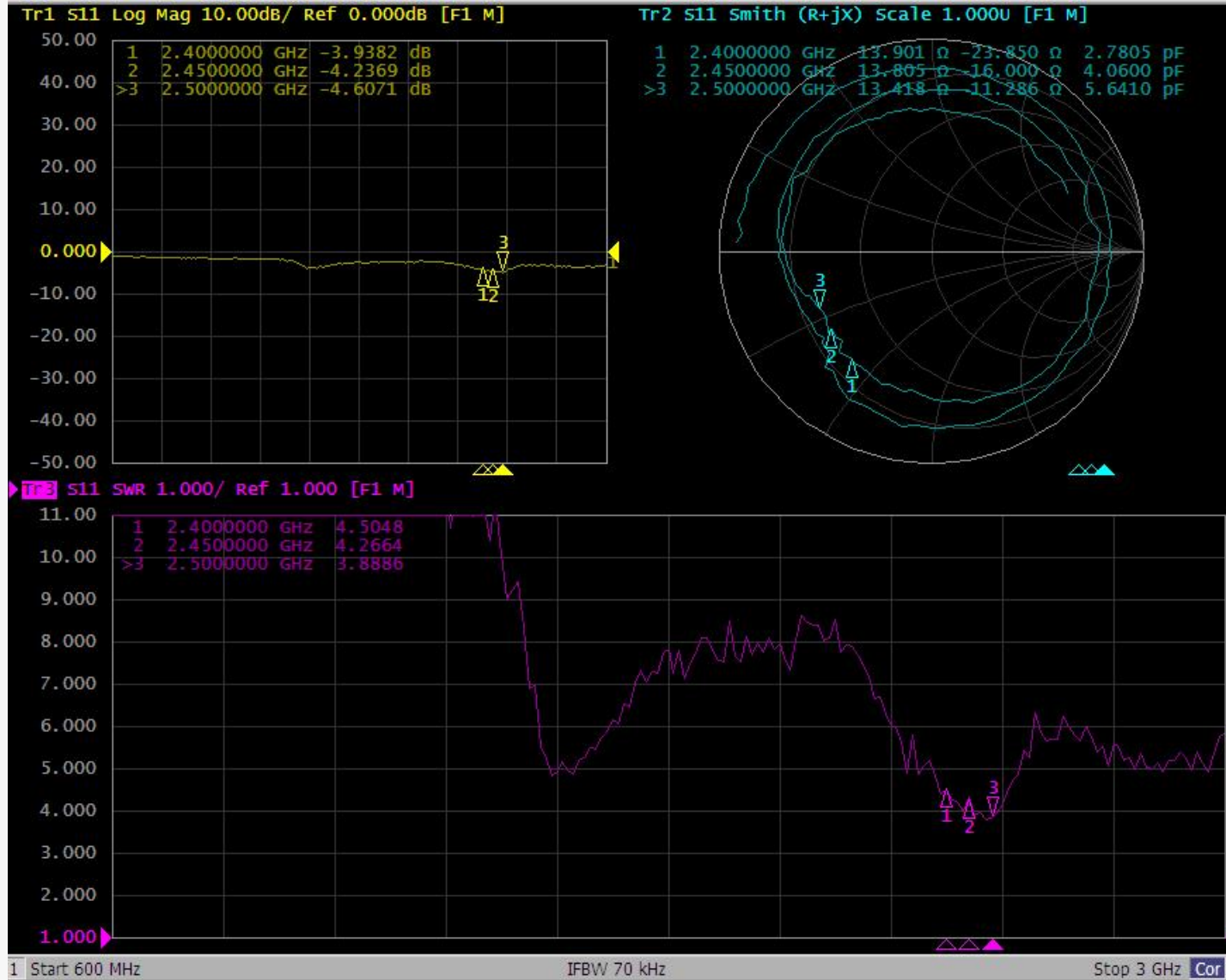
BT



test data

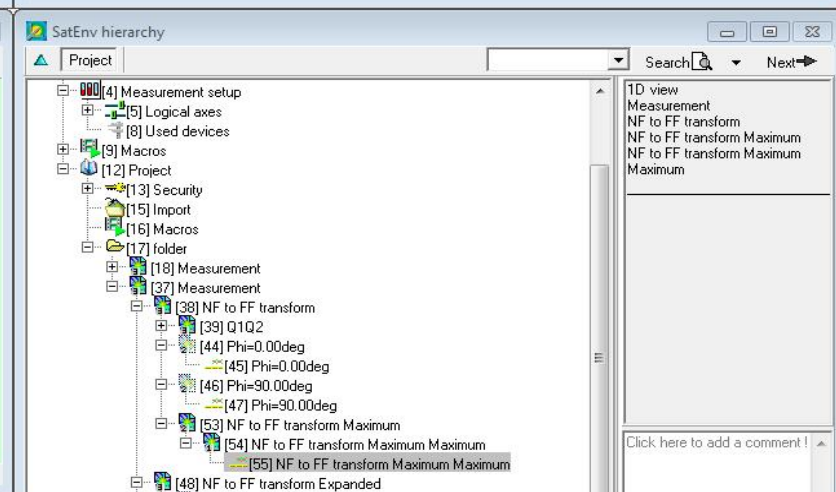
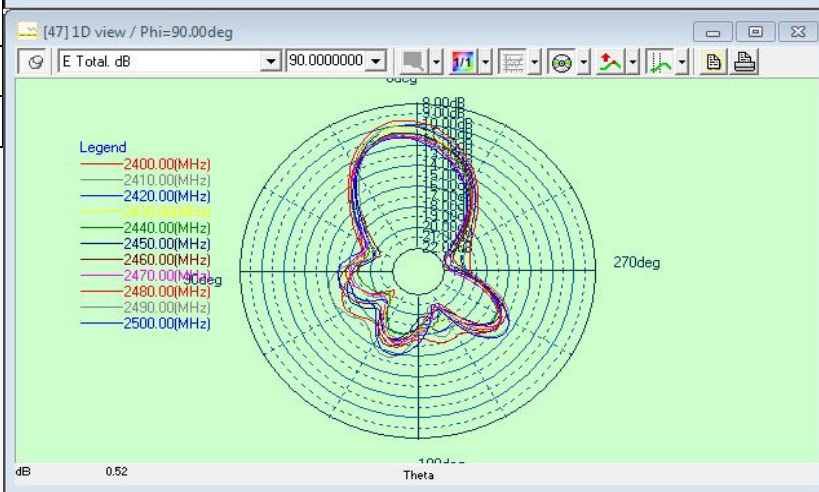
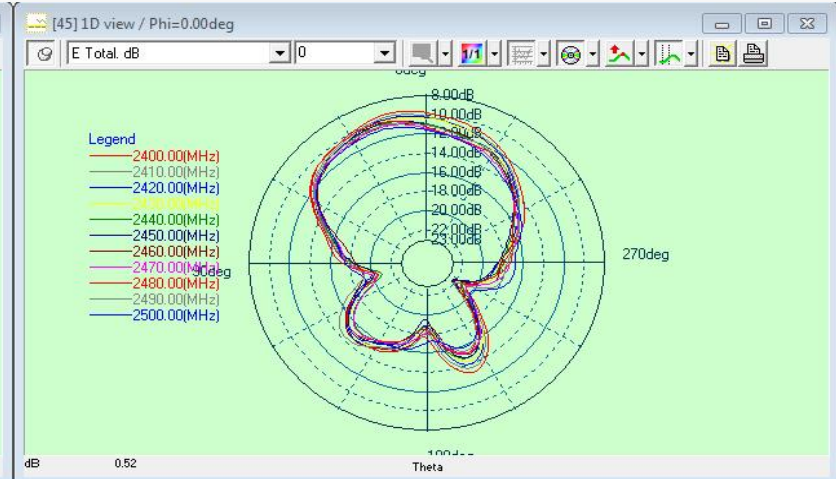
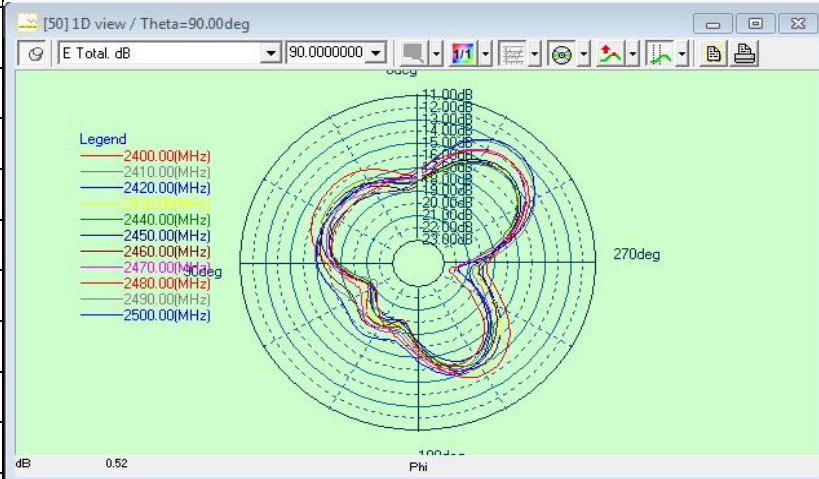
SWR/Log Mag /Smith)

With product



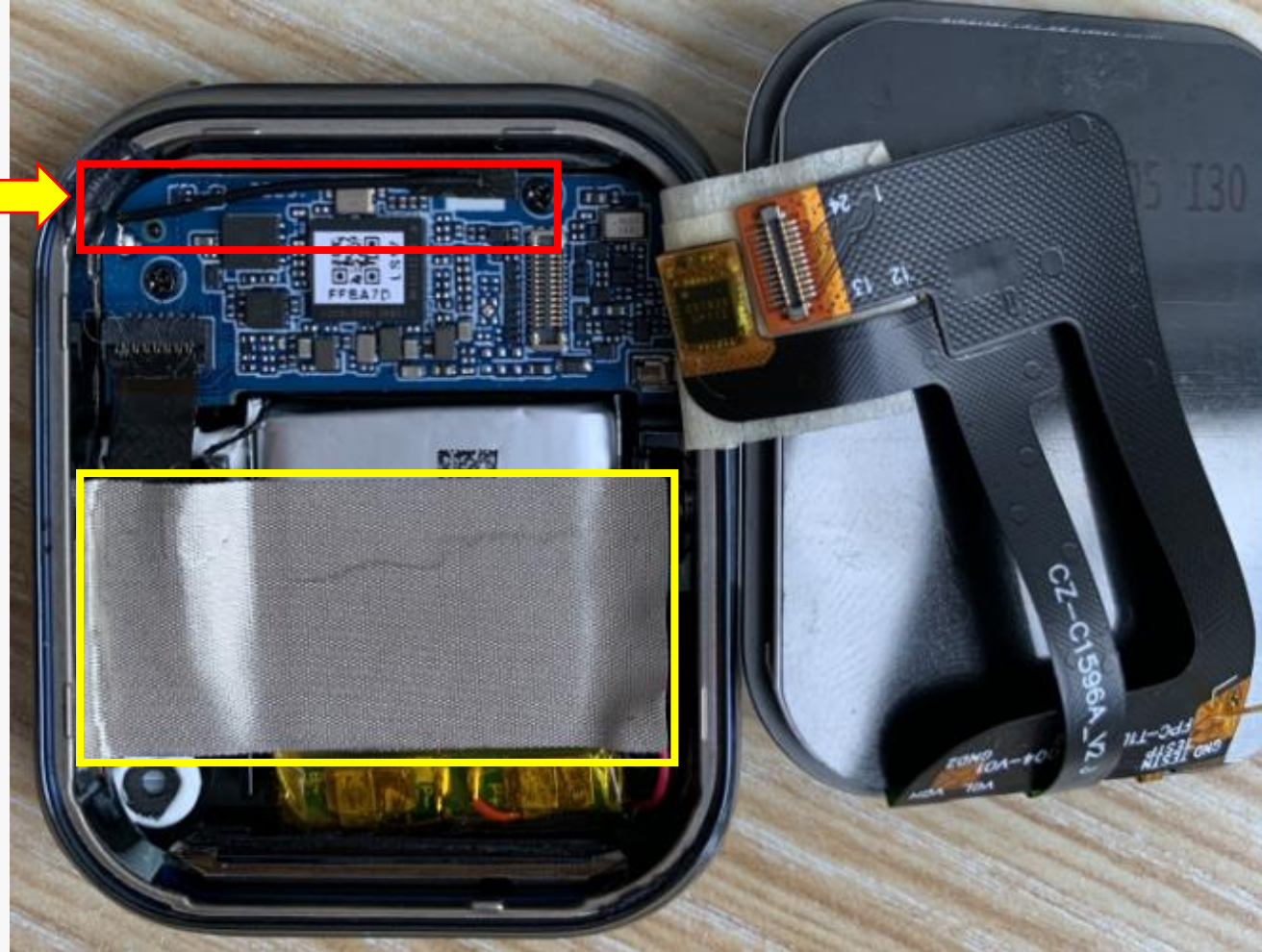


2400-2500MHz Efficiency		
Frequency	Efficiency	Gain. dBi
2400MHz	3%	-9.54
2410MHz	3%	-9.83
2420MHz	3%	-9.99
2430MHz	3%	-10.14
2440MHz	2%	-10.44
2450MHz	3%	-10.34
2460MHz	3%	-10.54
2470MHz	2%	-10.69
2480MHz	3%	-10.19
2490MHz	3%	-10.30
2500MHz	3%	-10.58



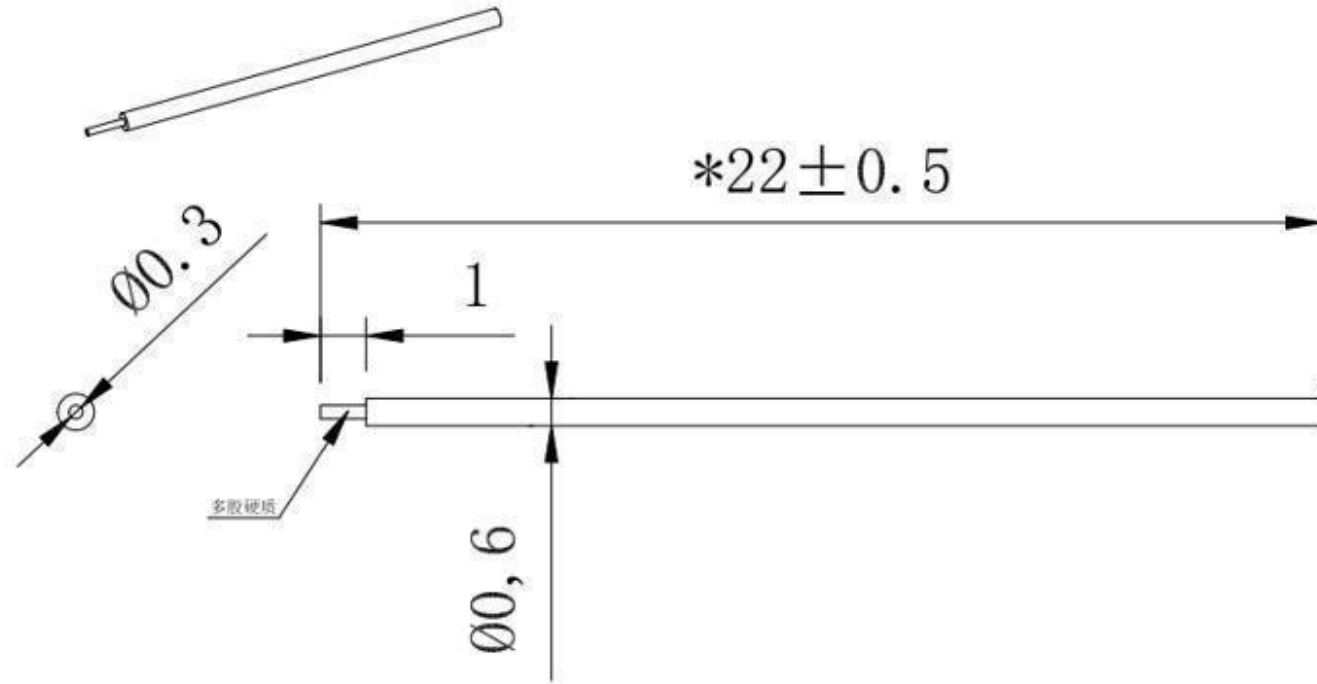


Location





ANT SIZE:





Planning to summarize

0

0

This report is based on LS17 Pilot prototype. Antenna using Bluetooth wire form of passive test report

THANK YOU

