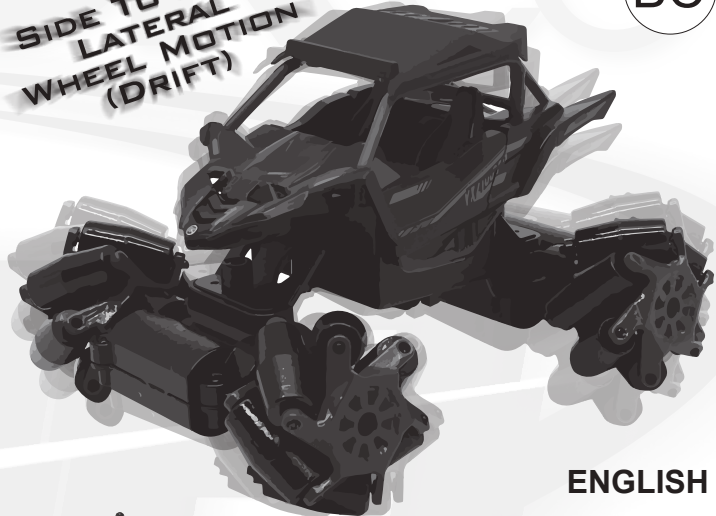


© Copyright 2020. HyperToys



BC

SIDE TO SIDE
LATERAL
WHEEL MOTION
(DRIFT)



ENGLISH



DRIFT

This device complies with Industry Canada licence-exempt RSS 210 standard. Operation is subject to the following two conditions: (1) this device may not cause interference, and (2) this device must accept any interference, including interference that may cause undesired operation of the device.

This device contains licence-exempt transmitter(s)/receiver(s) that comply with Innovation, Science and Economic Development Canada's licence-exempt RSS(s). Operation is subject to the following two conditions:

1. This device may not cause interference.
2. This device must accept any interference, including interference that may cause undesired operation of the device.

<p>WARNING: CHOKING HAZARD-Small parts. Not for children under 3 years.</p> <p>COLORS AND DECORATIONS MAY VARY; KEEP CONTENT DETAILS FOR FUTURE REFERENCE.</p>	<p>PLEASE DO NOT RETURN TO STORE For more information please email Consumer Services: help@hypertoys.com</p>
---	---

Battery Safety Information:

- Insure that battery polarity is correct.
- Use only batteries of the type recommended (or equivalent).
- Do not mix old and new batteries.
- Do not mix alkaline, standard (carbon-zinc), or rechargeable (nickel-cadmium) batteries.
- Rechargeable batteries are to be recharged by Adult only.
- Remove used-up batteries immediately.
- Do not recharge non-rechargeable batteries.
- Do not short-circuit terminals.
- Dispose of batteries safely. Do not dispose of batteries (or products containing non-rechargeable batteries) in fire, as batteries may explode or leak.



This device complies with the Part 15 of the FCC rules. Operation is subject to the following two conditions: (1) This device may not cause harmful interference, and (2) this device must accept any interference received, including interference that may cause undesired operation.

Caution: changes or modifications not expressly approved by the party responsible for compliance could void the user's authority to operate the equipment.

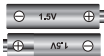
NOTE: This equipment has been tested and found to comply with the limits for a Class B digital device, pursuant to Part 15 of the FCC Rules. These limits are designed to provide reasonable protection against harmful interference in a residential installation. This equipment generates, uses and can radiate radio frequency energy and, if not installed and used in accordance with the instructions, may cause harmful interference to radio communications. However, there is no guarantee that interference will not occur in a particular installation. If this equipment does cause harmful interference to radio or television reception, which can be determined by turning the equipment off and on, the user is encouraged to try to correct the interference by one or more of the following measures: Reorient or relocate the receiving antenna. Increase the separation between the equipment and receiver. Connect the equipment into an outlet on a circuit different from that to which the receiver is connected. Consult the dealer or experienced radio/TV technician for help.



1 Batteries and Charging Installation

Batteries

Remote Controller



2 x 2.5V AA Batteries
(Not included)

Vehicle



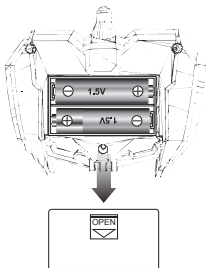
3.7V 180mAh rechargeable battery
(included in the vehicle)

Remote Controller

The remote control unit is equipped with two 1.5V AA non-rechargeable batteries (Battery need additional purchase).

Battery loading:

- 1) Push to slide out the battery cover.
- 2) Load the new 1.5V AA batteries corresponding the "+" and "-" in the battery case to the "+" and "-" of the batteries.
- 3) Slide the battery cover back to the remote controller.



Vehicle

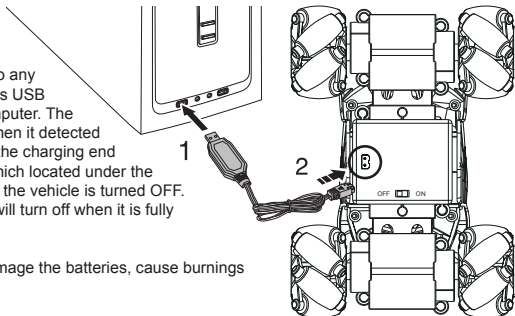
Charging the Vehicle battery:

1) insert the USB (1) to any power source which has USB interface, such as computer. The red light will turn on when it detected power. After that plug the charging end to the charging port which located under the vehicle (2). Make sure the vehicle is turned OFF. The light on the USB will turn off when it is fully charged.

Overcharging may damage the batteries, cause burnings or catch a fire.

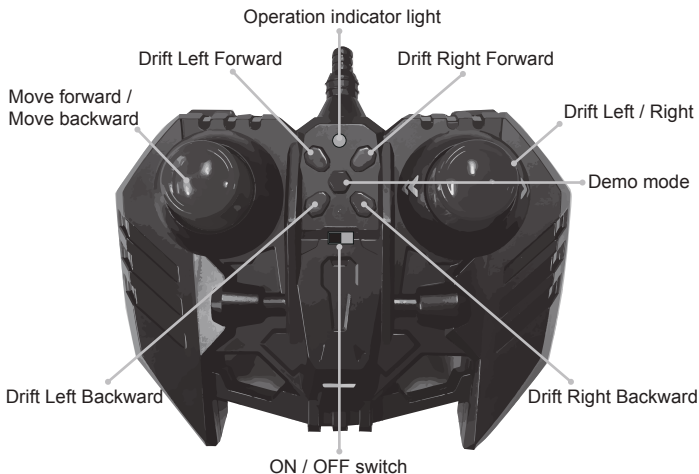
NOTICE:

When the product is idle, please push its power switch to "OFF", and take out the batteries in case the service life of the rechargeable batteries is affected.



2

Description of Remote Controller functions



3

Demonstration and Vehicle Functions

1) Turn on the Remote controller

Slide the ON/OFF switch to the left(ON). The operation indicator light keeps flashing when it is power on and pairing.

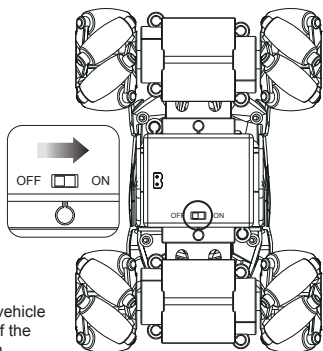
2) Turn on the vehicle

Slide the ON/OFF switch to ON side.

When remote controller and vehicle both turn ON, it will connect automatically. Remote controller operation indicator light will light on consistently when it paired with vehicle.

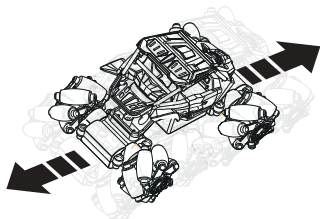
NOTICE:

Restart the vehicle and remote controller when the vehicle cannot be controlled. Then, pull the control sticker of the remote controller to conduct frequency pairing again.



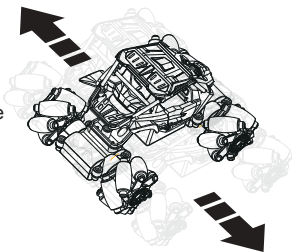
Move forward / Move backward

Push upwards/Pull backwards the left control lever, so the remote control car will move forwards/backwards.



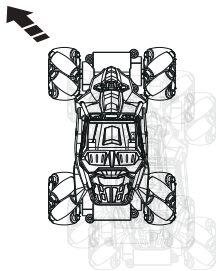
Drift Left / Right

Push left / right the right control lever, so the remote control car will Drift Left / Right.



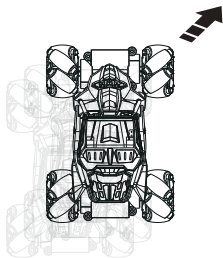
Drift Left Forward

When the "Drift Left forward" key is pressed, the remote control car will drift at 45° front forward.



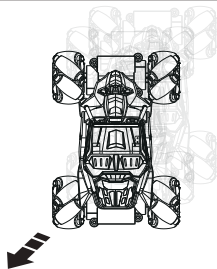
Drift Right Forward

When the "Drift Right forward" key is pressed, the remote control car will drift at 45° right forward.



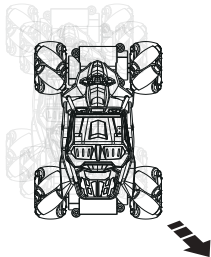
Drift Left Backward

When the "Drift Left backward" key is pressed, the remote control car will drift at 45° Left backward.



Drift Right Backward

When the "Drift Right backward" key is pressed, the remote control car will drift at 45° Right backward.



4 Problems / Solutions

Problem	Cause	Processing Method
The remote control fails to function.	1. Fail to put the battery into the right electrodes.	1. Check and make sure that the battery is put in according to the signs of the electrodes on the battery box.
	2. Low battery.	2. Replace with new batteries.
	3. Out of the controllable distance.	3. Keep the remote control within 30 meter and point at the remote control car.
	4. No pairing frequency between the remote controller and remote control car	4. Unload the batteries and reload them. Then, Power off the remote control car, and then power it on. Finally, pull the control lever of the remote controller to conduct frequency pairing again.
The remote control car cannot be controlled	1. Make the on/off stay at the "OFF" position.	1. Make the on/off stay at the "ON" position.
	2. The remote control car and rechargeable battery pack haven't been connected by correctly corresponding with the electrodes.	2. Check and make sure that the battery pack is connected to the remote control car according to the right electrodes.
	3. Low battery.	3. Recharge or replace the battery pack when it is running low.
	4. The remote control car has unclear voice and dark light.	4. Recharge or replace the battery pack when it is running low.
	5. The remote controller and remote control car haven't undergone frequency pairing	5. Unload the batteries and reload them. Then, Power off the remote control car, and then power it on. Finally, pull the control lever of the remote controller to conduct frequency pairing again.

WARNING

Battery charger used with the toy are to be regularly examined for damage to the cord, plug, enclosure and other parts, and that, in the event of such damage, the toys must not be used with this battery charger until the damage has been repaired.