

<p>DO NOT MIX ALKALINE, STANDARD (CARBON ZINC) OR RECHARGEABLE (NICKEL CADMIUM) BATTERIES.</p> <p>DO NOT MIX OLD AND NEW BATTERIES.</p> <p>DO NOT DISPOSE OF BATTERIES IN FIRE, BATTERIES MAY EXPLODE OR LEAK.</p>	<p>WARNING: CHOKING HAZARD—Small parts. Not for children under 3 years.</p> <p>PLEASE DO NOT RETURN TO STORE</p> <p>For more information please email Consumer Services: help@hypertoys.com</p> <p>COLORS AND DECORATIONS MAY VARY, KEEP CONTENT DETAILS FOR FUTURE REFERENCE.</p>
--	---

This device complies with Industry Canada licence-exempt RSS 210 standard. Operation is subject to the following two conditions: (1) this device may not cause interference, and (2) this device must accept any interference, including interference that may cause undesired operation of the device.

Battery Safety Information:

- Ensure that battery polarity is correct.
- Use only batteries of the type recommended (or equivalent).
- Do not mix old and new batteries.
- Do not mix alkaline, standard (carbon-zinc), or rechargeable (nickel-cadmium) batteries.
- Rechargeable batteries are to be recharged by Adult only.
- Remove used-up batteries immediately.
- Do not recharge non-rechargeable batteries.
- Do not short-circuit terminals.
- Dispose of batteries safely. Do not dispose of batteries (or products containing non-rechargeable batteries) in fire, as batteries may explode or leak.



This device complies with the Part 15 of the FCC rules. Operation is subject to the following two conditions: (1) This device may not cause harmful interference, and (2) this device must accept any interference received, including interference that may cause undesired operation.

Caution: changes or modifications not expressly approved by the party responsible for compliance could void the user's authority to operate the equipment.

NOTE: This equipment has been tested and found to comply with the limits for a Class B digital device, pursuant to Part 15 of the FCC Rules. These limits are designed to provide reasonable protection against harmful interference in a residential installation. This equipment generates, uses and can radiate radio frequency energy and, if not installed and used in accordance with the instructions, may cause harmful interference to radio communications. However, there is no guarantee that interference will not occur in a particular installation. If this equipment does cause harmful interference to radio or television reception, which can be determined by turning the equipment off and on, the user is encouraged to try to correct the interference by one or more of the following measures: Reorient or relocate the receiving antenna. Increase the separation between the equipment and receiver. Connect the equipment into an outlet on a circuit different from that to which the receiver is connected. Consult the dealer or experienced radio/TV technician for help.



<p>DISTRIBUTED BY: HYPER TOY COMPANY 1-866-204-9737 Toll Free 177 Malaga Park Dr. Malaga, NJ 08328</p>		<p>DISTRIBUÉ PAR: HYPER TOY COMPANY 1-866-204-9737 Numéro de téléphone sans frais ou 177 Malaga Park Dr. Malaga, NJ 08328</p>
---	--	--

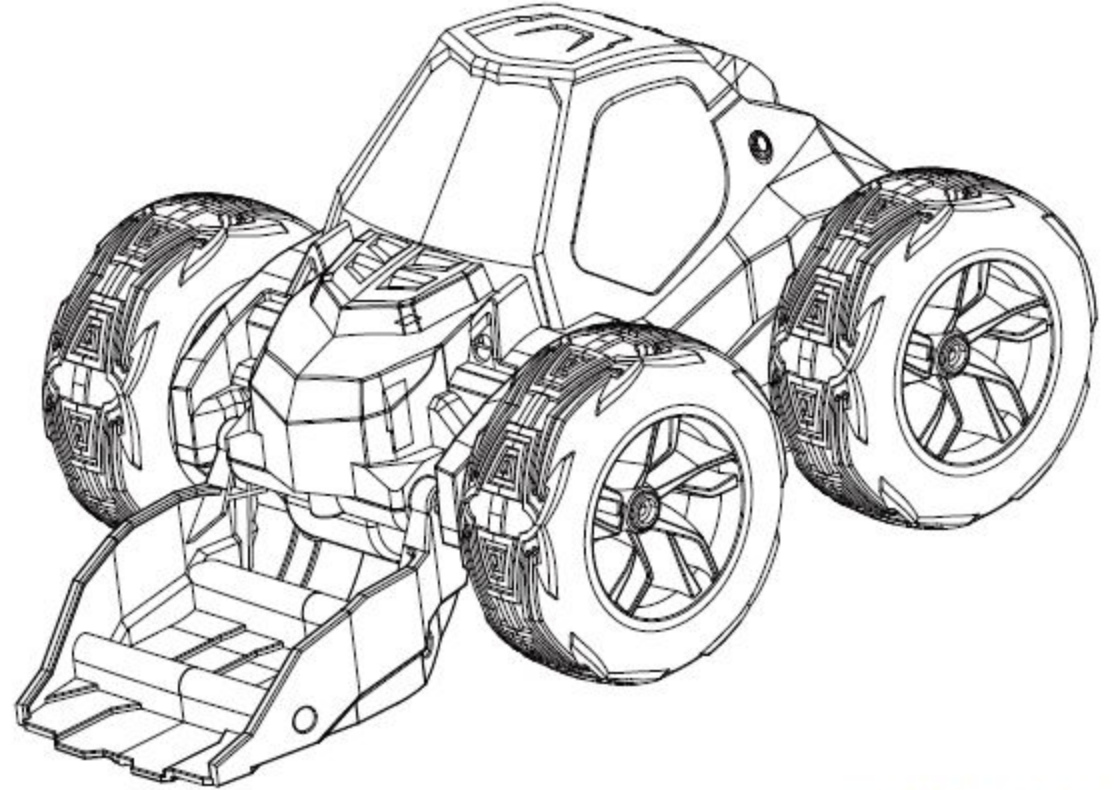
© Copyright 2021 HyperToys
©Tous droits réservés 2021. Hyper Toy Company

MADE IN CHINA

HYPER TOY CO

Stunt Truck Dozer

HYP-HRC-2001



LITHIUM BATTERY
USB CHARGER

ENGLISH

2.4 GHz



3+

CONTENTS



Vehicle



Remote Controller



Instruction Manual

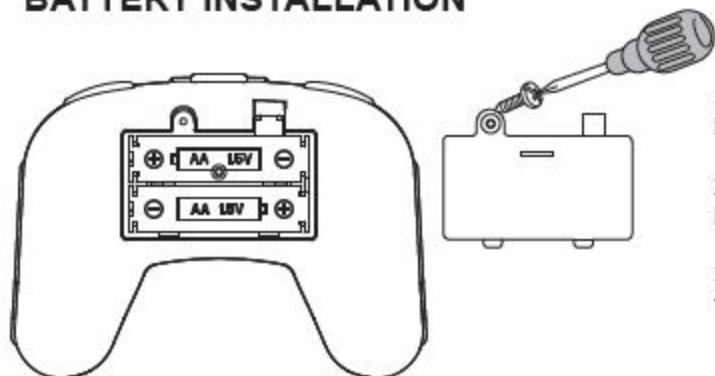


3.7V
Rechargeable Battery



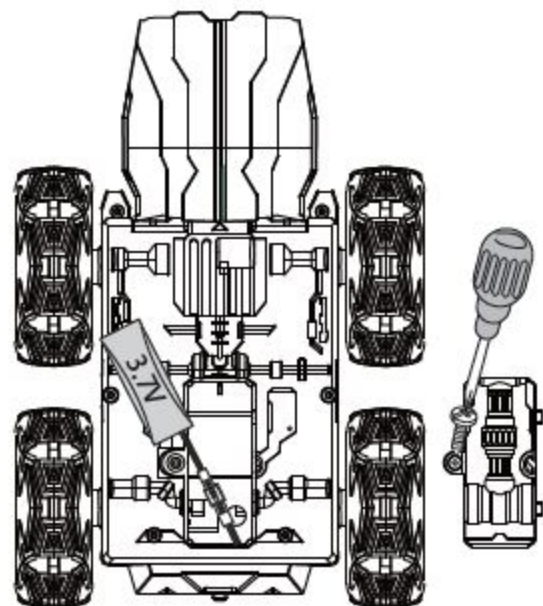
USB Charging Cable

BATTERY INSTALLATION



Back of Remote Controller

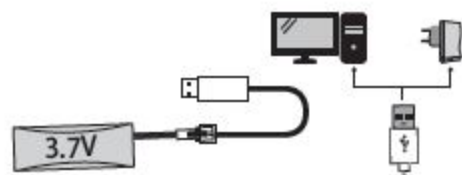
- 1) Unscrew the screw on top of battery cover by screw driver.
- 2) Put 2 1.5V AA batteries in the battery slots with correct polarity.
- 3) Close the battery cover and tight the screw with screw driver.



Bottom of Vehicle

- 1) Unscrew the screw on the top of battery cover by screw driver.
- 2) Put the rechargeable battery in the battery slots and connect it to the vehicle.
- 3) Close the battery cover and tight the screw with screw driver.

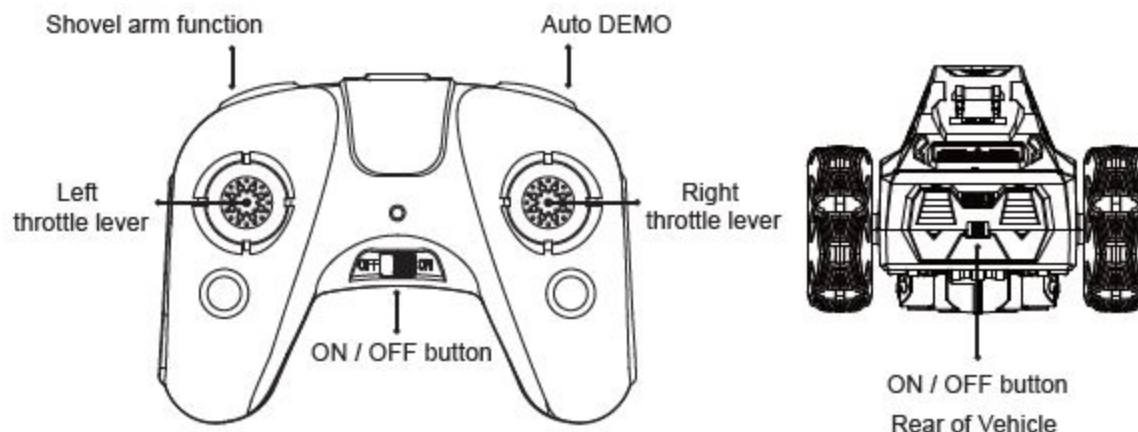
Charging the Battery: 90 minutes



Note:

If the remote control cannot control the car, first remove batteries and re-install them. Then turn on the power of remote control car, then turn it back on the power. The remote control will reset the frequency.

FUNCTIONS



<p>Forward</p> <p>Push both throttle levers up to move the vehicle forward.</p>	<p>Backward</p> <p>Push both throttle levers down to move the vehicle backwards.</p>
<p>Turn right</p> <p>Push the left throttle lever up to turn the vehicle right.</p>	<p>Turn left</p> <p>Push the right throttle lever up to turn the vehicle left.</p>
<p>360° rotation to the left</p> <p>Push the left throttle lever down and the right throttle lever up to rotate the vehicle left on the spot.</p>	<p>360° rotation to the right</p> <p>Push the left throttle lever up and the right throttle lever down to rotate the vehicle right on the spot.</p>
<p>Shovel arm function</p> <p>Press the shovel arm button. Shovel arm rises.</p> <p>Press the shovel arm button. Shovel arm lowers.</p>	<p>360° rolling</p> <p>Push both throttle levers up at the same time to move the car forward, then push the two throttle levers down at the same time to roll the vehicle over (when rolling the shovel arm will tuck away).</p>