

DO NOT MIX ALKALINE,  
STANDARD (CARBON ZINC)  
OR RECHARGEABLE  
(NICKEL CADMIUM) BATTERIES.

DO NOT MIX OLD AND NEW  
BATTERIES.

DO NOT DISPOSE OF BATTERIES  
IN FIRE, BATTERIES MAY  
EXPLODE OR LEAK.

**WARNING:**  
CHOKING HAZARD—Small parts.  
Not for children under 3 years.

PLEASE DO NOT  
RETURN TO STORE  
For more information please  
email Consumer Services:  
[help@hypertoys.com](mailto:help@hypertoys.com)

COLORS AND DECORATIONS MAY  
VARY. KEEP CONTENT DETAILS  
FOR FUTURE REFERENCE.

# Liquid Racer

This device complies with Industry Canada licence-exempt RSS 210 standard. Operation is subject to the following two conditions: (1) this device may not cause interference, and (2) this device must accept any interference, including interference that may cause undesired operation of the device.

## Battery Safety Information:

- Ensure that battery polarity is correct.
- Use only batteries of the type recommended (or equivalent).
- Do not mix old and new batteries.
- Do not mix alkaline, standard (carbon-zinc), or rechargeable (nickel-cadmium) batteries.
- Rechargeable batteries are to be recharged by Adult only.
- Remove used-up batteries immediately.
- Do not recharge non-rechargeable batteries.
- Do not short-circuit terminals.
- Dispose of batteries safely. Do not dispose of batteries (or products containing non-rechargeable batteries) in fire, as batteries may explode or leak.



This device complies with the Part 15 of the FCC rules. Operation is subject to the following two conditions: (1) This device may not cause harmful interference, and (2) this device must accept any interference received, including interference that may cause undesired operation.

**Caution: changes or modifications not expressly approved by the party responsible for compliance could void the user's authority to operate the equipment.**

NOTE: This equipment has been tested and found to comply with the limits for a Class B digital device, pursuant to Part 15 of the FCC Rules. These limits are designed to provide reasonable protection against harmful interference in a residential installation. This equipment generates, uses and can radiate radio frequency energy and, if not installed and used in accordance with the instructions, may cause harmful interference to radio communications. However, there is no guarantee that interference will not occur in a particular installation. If this equipment does cause harmful interference to radio or television reception, which can be determined by turning the equipment off and on, the user is encouraged to try to correct the interference by one or more of the following measures: Reorient or relocate the receiving antenna. Increase the separation between the equipment and receiver. Connect the equipment into an outlet on a circuit different from that to which the receiver is connected. Consult the dealer or experienced radio/TV technician for help.



**DISTRIBUTED BY:**  
**HYPER TOY COMPANY**  
1-866-204-9737 Toll Free  
177 Malaga Park Dr. Malaga, NJ 08328

**HYPER TOY CO**  
[help@hypertoys.com](mailto:help@hypertoys.com)

**DISTRIBUÉ PAR:**  
**HYPER TOY COMPANY**  
1-866-204-9737  
Numéro de téléphone sans frais ou  
177 Malaga Park Dr. Malaga, NJ 08328



2.4 GHz

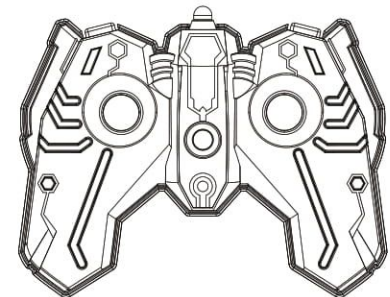
BC 6+



FULL FUNCTION



LITHIUM BATTERY  
USB CHARGER

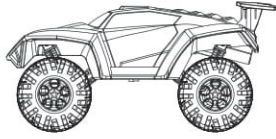


© Copyright 2021 HyperToys

©Tous droits réservés 2021. Hyper Toy Company

MADE IN CHINA

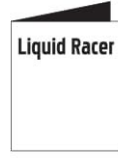
## CONTENTS



Vehicle



Remote Controller



Instruction Manual



Dropper

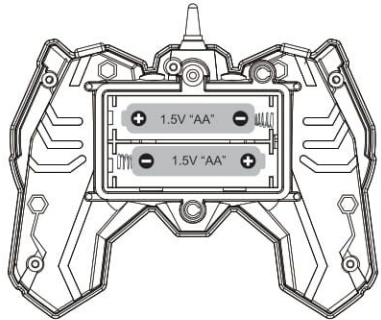


7.4V 500mAh  
Rechargeable Battery

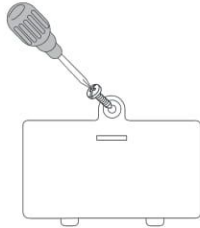


USB Charging Cable

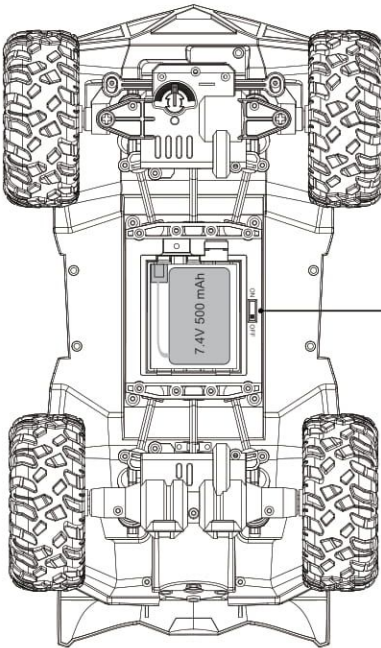
## BATTERY INSTALLATION



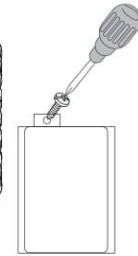
Back of Remote Controller



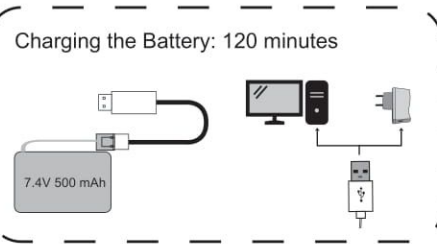
- 1) Unscrew the screw on top of battery cover by screw driver.
- 2) Put 2 1.5V AA batteries in the battery slots with correct polarity.
- 3) Close the battery cover and tight the screw with screw driver.



Bottom of Vehicle



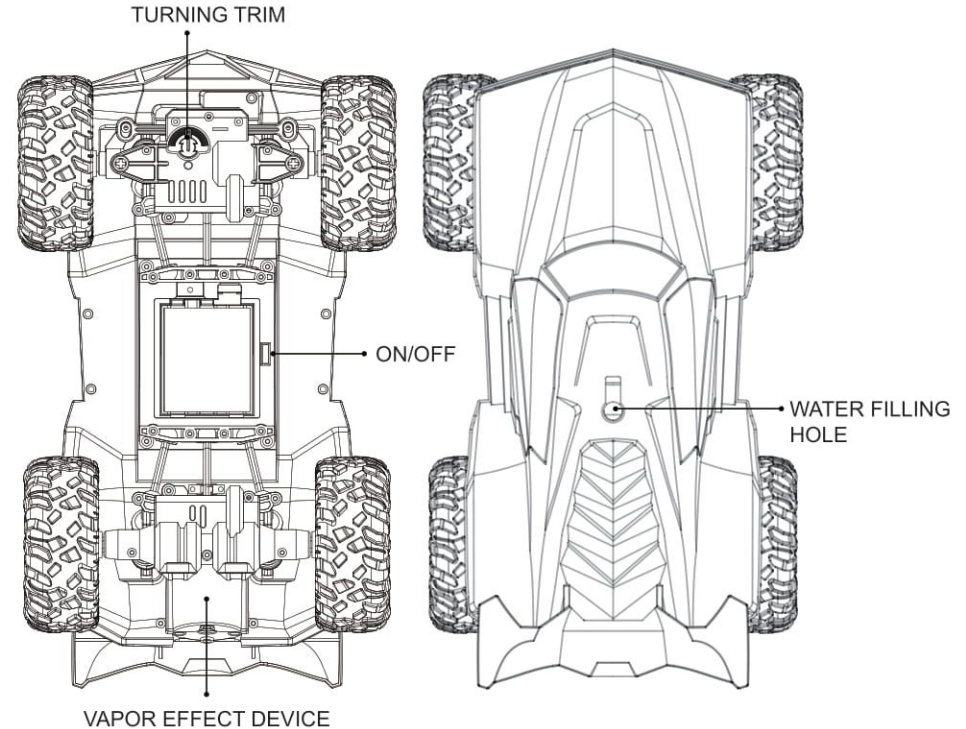
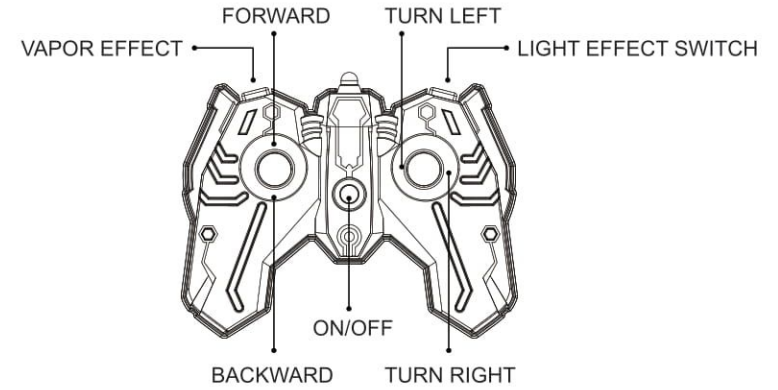
- 1) Unscrew the screw on the top of battery cover by screw driver.
- 2) Put the rechargeable battery in the battery slots and connect it to the vehicle.
- 3) Close the battery cover and tight the screw with screw driver.



ON **2 1** OFF 2 modes for turning on:

- 1) Turn ON vehicle with light effects
- 2) Turn ON vehicle with light effects and vapor effect.

## FUNCTIONS



**CAUTION:**  
PLEASE DO NOT DIRECTLY FILL  
WATER FROM WATER TAP!  
ONLY FILL BY DROPPER