

# Battery Safety Information:

- Insure that battery polarity is correct.
- Use only batteries of the type recommended (or equivalent).
- Do not mix old and new batteries.
- Do not mix alkaline, standard (carbon-zinc), or rechargeable (nickel-cadmium) batteries.
- Rechargeable batteries are to be removed from the product before being charged.
- Rechargeable batteries are to be recharged by Adult only.
- Remove used-up batteries immediately.
- Do not recharge non-rechargeable batteries.
- Do not short-circuit terminals.
- Dispose of batteries safety. Do not dispose of batteries (or products containing non-rechargeable batteries) in fire, as batteries may explode or leak.

This device complies with Industry Canada licence-exempt RSS 210 standard. Operation is subject to the following two conditions: (1) this device may not cause interference, and (2) this device must accept any interference, including interference that may cause undesired operation of the device.

This device contains licence-exempt transmitter(s)/receiver(s) that comply with Innovation, Science and Economic Development Canada's licence-exempt RSS(s). Operation is subject to the following two conditions:

1. This device may not cause interference.
2. This device must accept any interference, including interference that may cause undesired operation of the device.

## WARNING

There are small parts inside possibly causing a choking hazard, so the product isn't suitable for children 3 years old and below. When the product is being used, an adult must be on the scene for guardianship and guidance. These instructions have important information and thus shouldn't be discarded randomly. They should be kept properly for future inquiry.



This device complies with the Part 15 of the FCC rules. Operation is subject to the following two conditions: (1) This device may not cause harmful interface, and (2) this device must accept any interference received, including interference that may cause undesired operation.

Caution: changes or modifications not expressly approved by the party responsible for compliance could void the user's authority to operate the equipment.

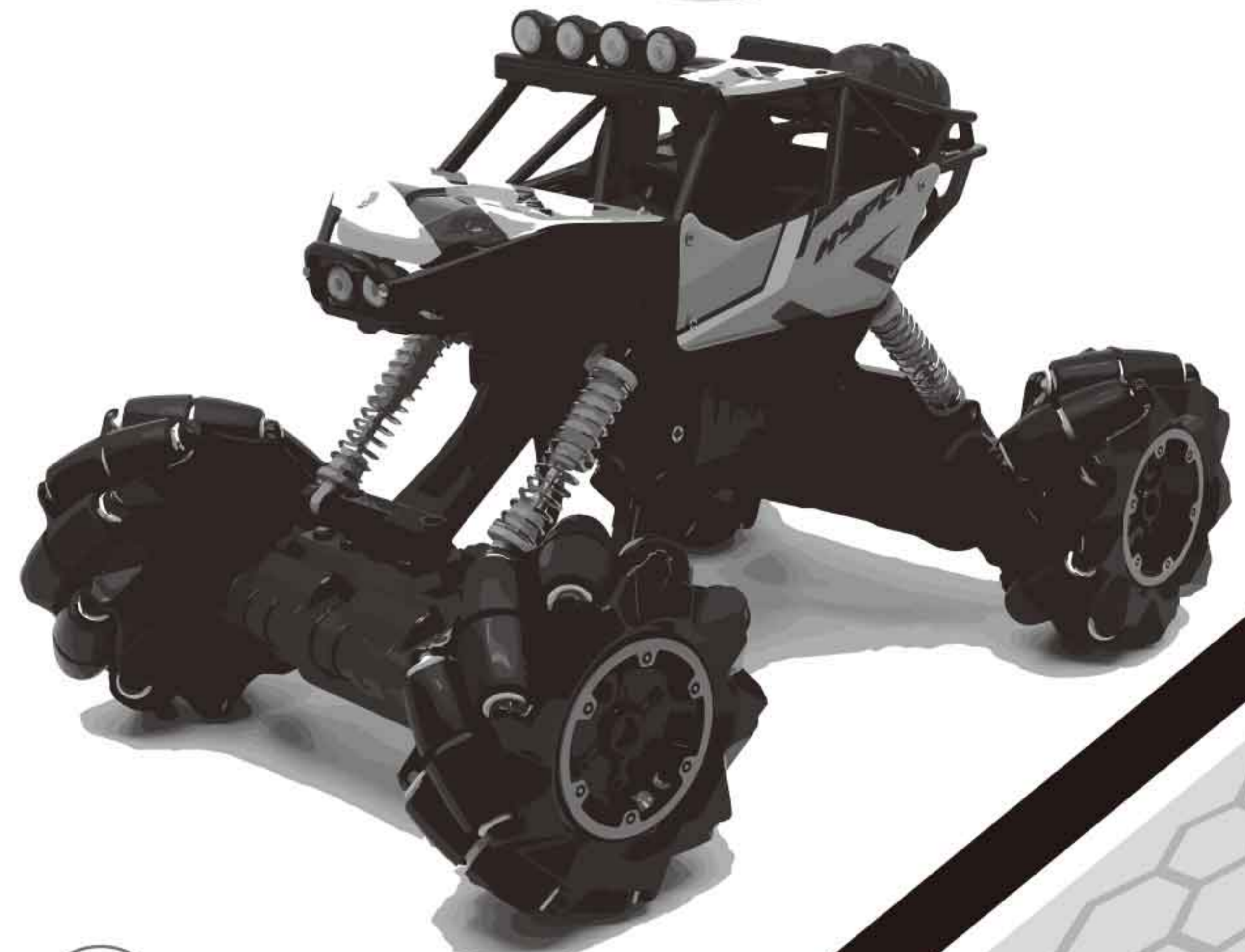
NOTE: This equipment has been tested and found to comply with the limits for a Class B digital device, pursuant to Part 15 of the FCC Rules. These limits are designed to provide reasonable protection against harmful interference in a residential installation. This equipment generates, uses and can radiate radio frequency energy and, if not installed and used in accordance with the instructions, may cause harmful interference to radio communications. However, there is no guarantee that interference will not occur in a particular installation. If this equipment does cause harmful interference to radio or television reception, which can be determined by turning the equipment off and on, the user is encouraged to try to correct the interference by one or more of the following measures: Reorient or relocate the receiving antenna. Increase the separation between the equipment and receiver. Connect the equipment into an outlet on a circuit different from that to which the receiver is connected. Consult the dealer or experienced radio/TV technician for help.



Made in China

ITEM NO.: 30675379

**HYPER** TOY CO



DRIFTING



PROGRAM



SOUND



RISE AND FALL



DANCE



LIGHT

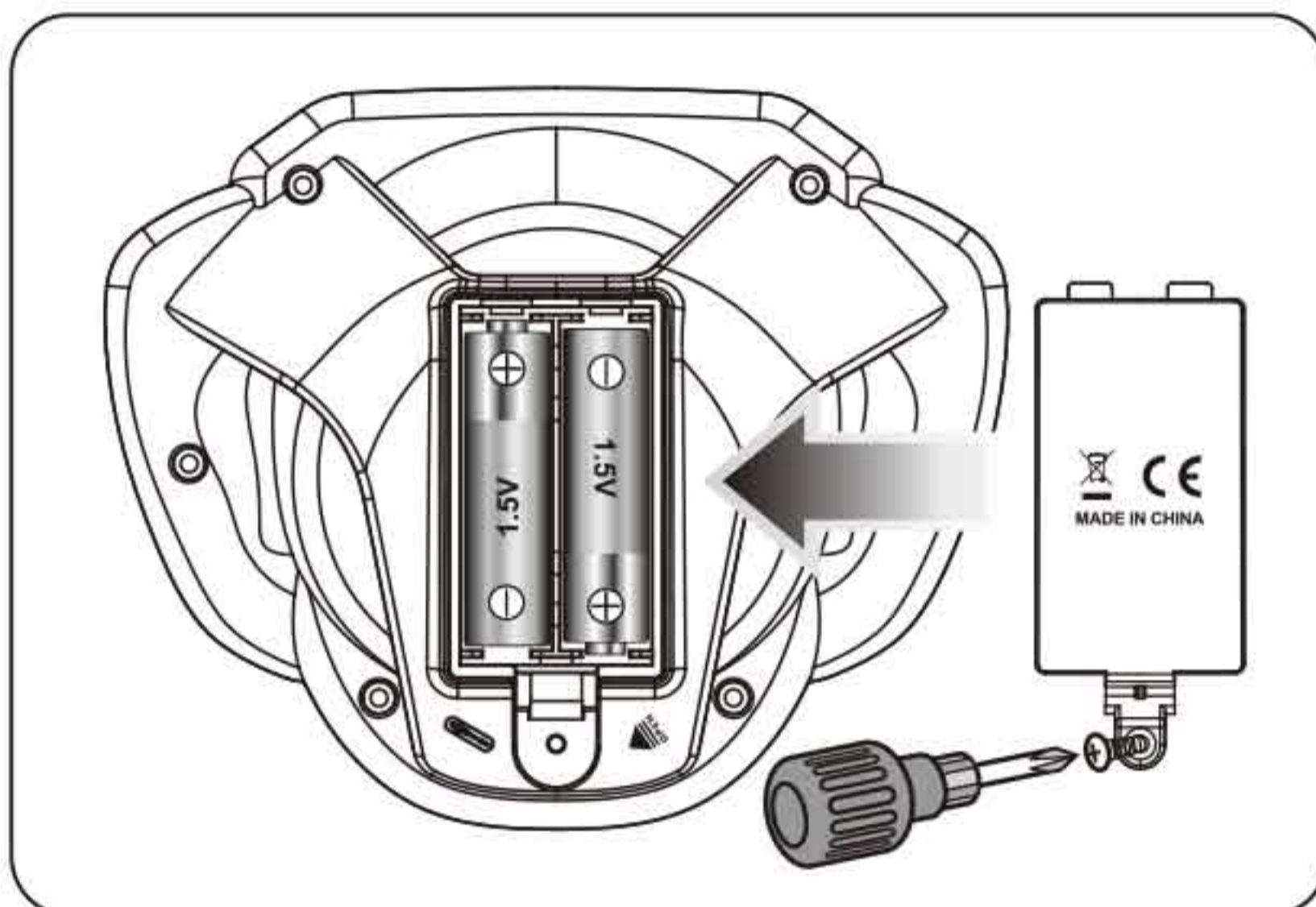


# 1 Batteries and Instructions for charging

(1) The remote control unit is equipped with two 1.5V AA non-rechargeable batteries (Battery need additional purchase).

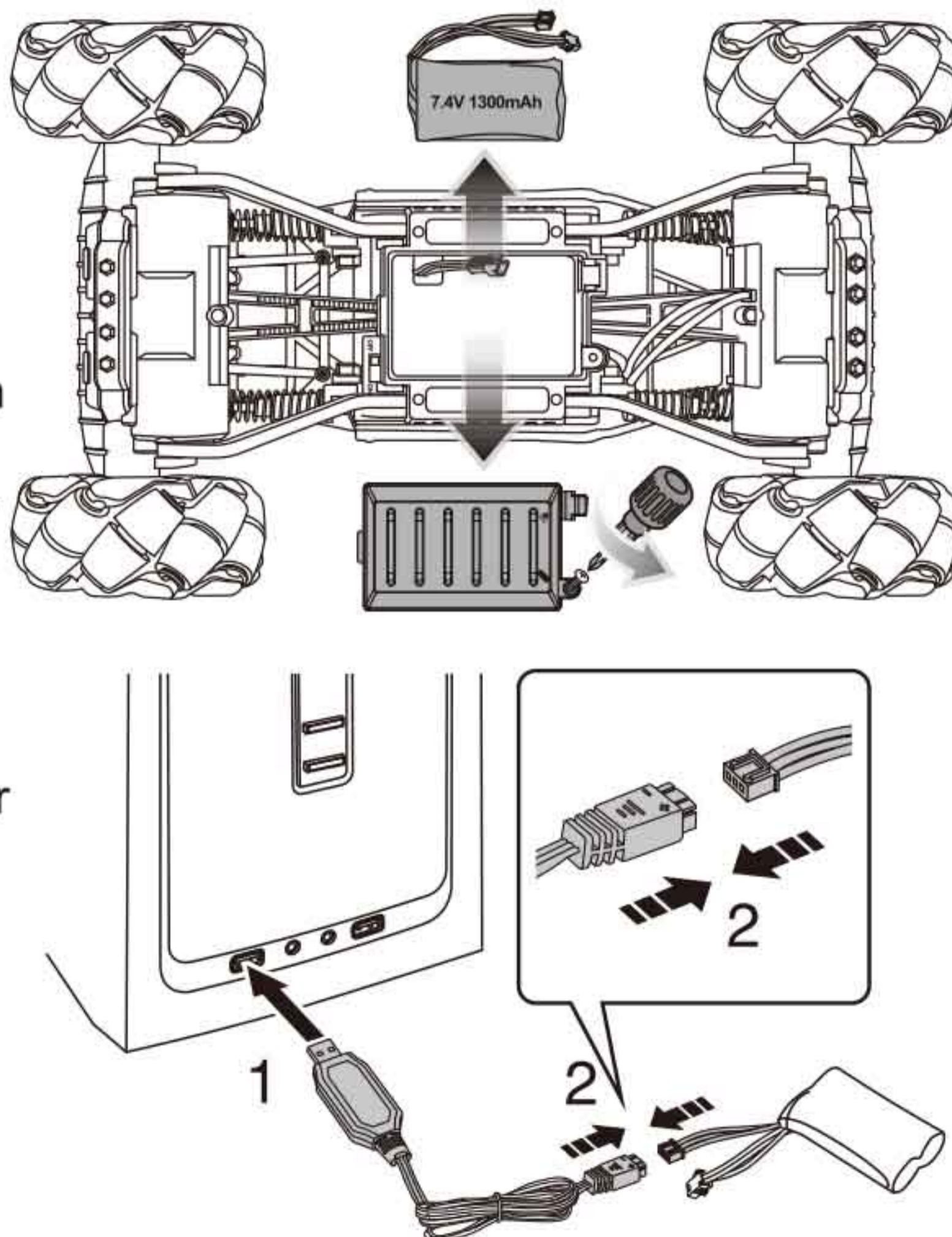
## Battery loading:

- Loosen the screws on the battery door with cross screwdrivers. (Phillips screwdriver need additional purchase)
- Load the new 1.5V AA batteries corresponding the “+” and “-” in the battery case to the “+” and “-” of the batteries.
- Cover up the battery cover, and tighten the screws.



## (2) Charging mode of USB cable

- Take out the rechargeable battery from the product as shown in the diagram. (Phillips screwdriver need additional purchase)
- Put the USB connector into the USB interface of the computer, after which the red charge lamp of the USB will be on; then, insert the lithium battery plug into the USB charging plug, after which the green charge indicator light of the USB will flicker; after full charging is completed within about 180 minutes, the green charge indicator light will be on long, which indicates charging complete and the product will work in 5 minutes. Overcharging may damage the batteries, cause burnings or catch a fire.

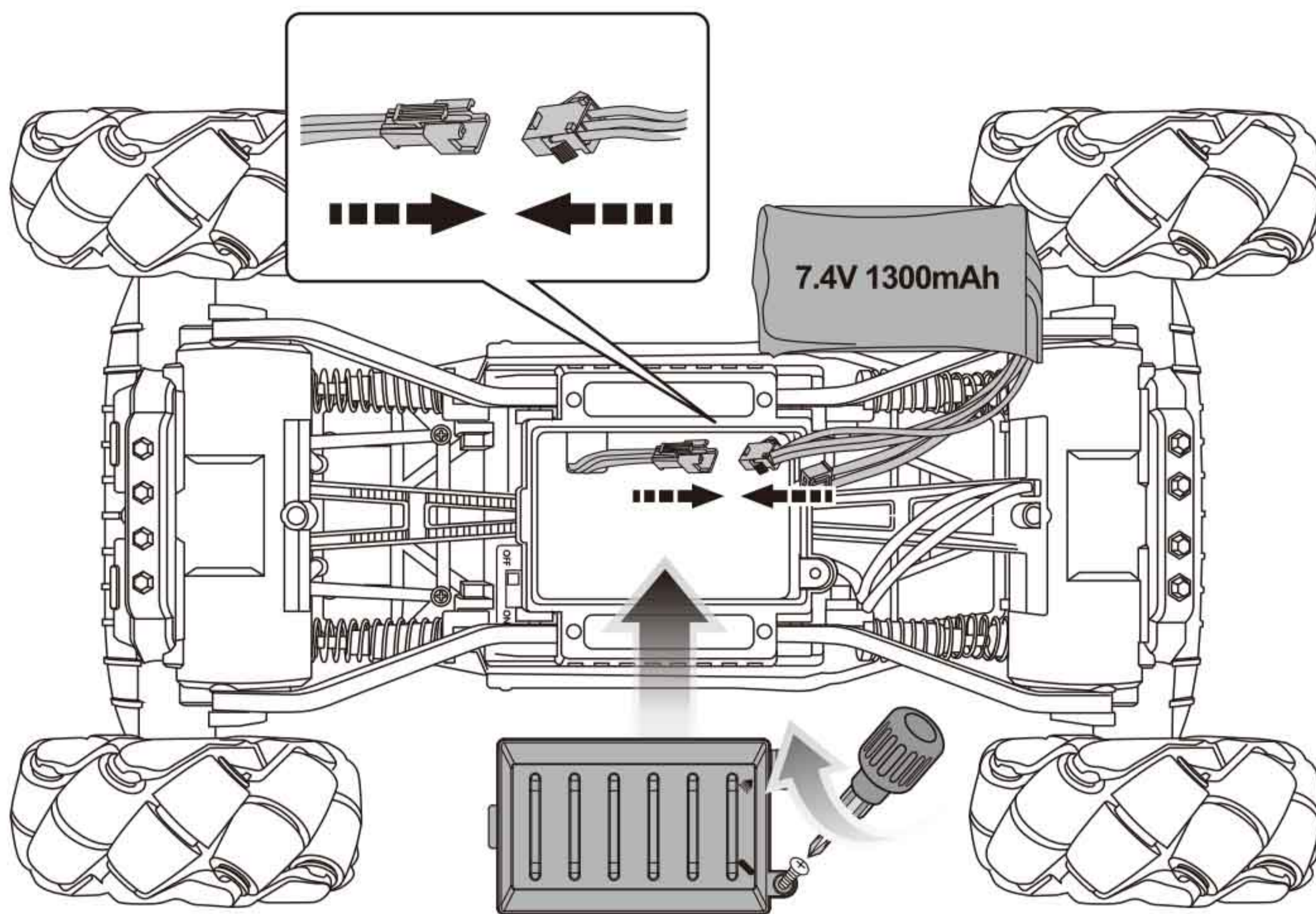


## ! Notice:

When the product is idle, please push its power switch to “OFF”, and take out the batteries in case the service life of the rechargeable batteries is affected.



c) Load the battery pack in the battery case by corresponding to the correct electrodes, and cover up the battery cover. (Phillips screwdriver need additional purchase)



## 2 Battery Warning

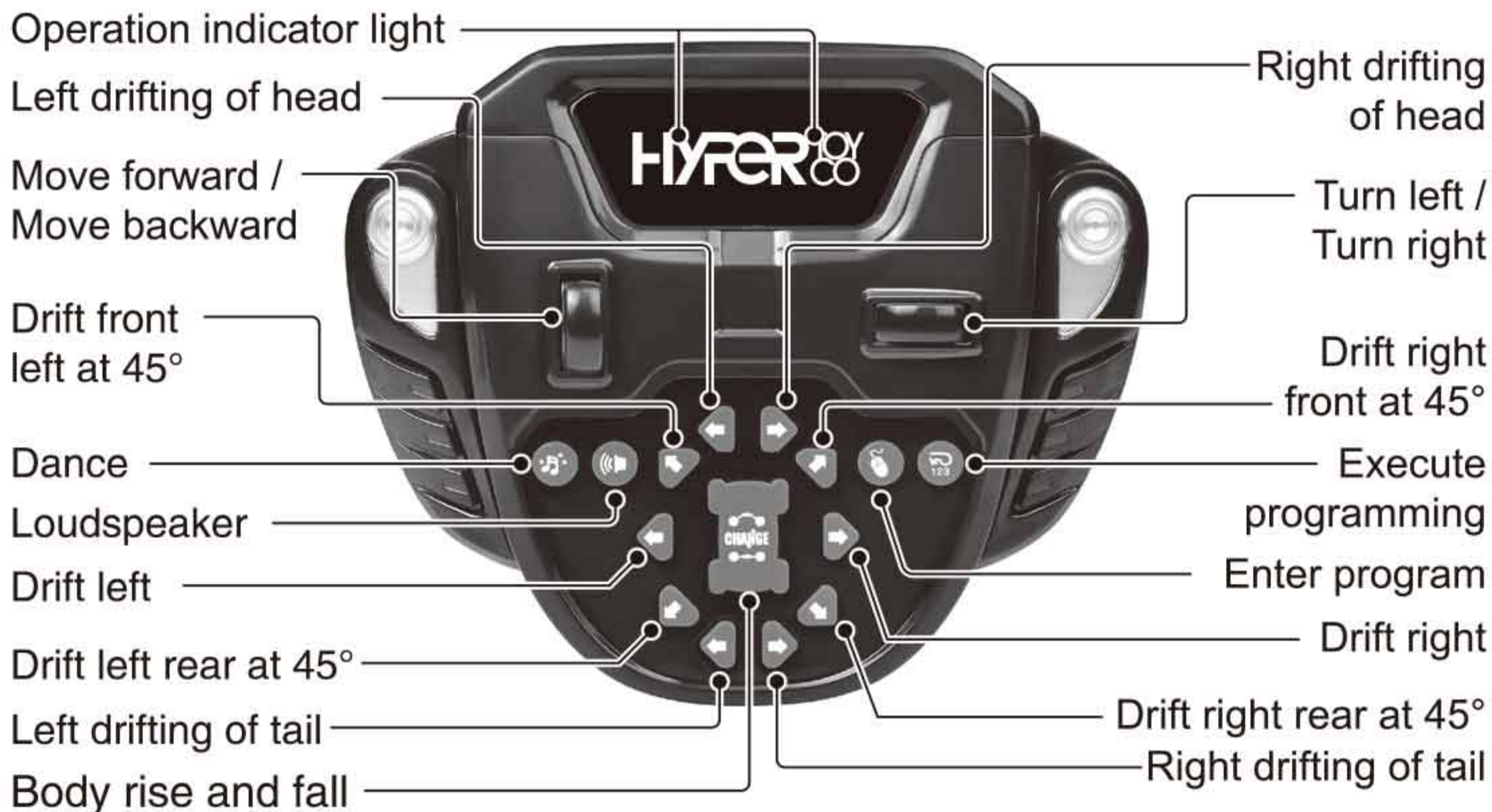
- Non-rechargeable batteries are not to be recharged.
- Different types of batteries or new and used batteries are not to be mixed.
- Batteries are to be inserted with the correct polarity.
- Exhausted batteries are to be removed from the controller.
- The supply terminals are not to be short-circuited.
- Recharge only under adult supervision.
- Do not use rechargeable batteries.

**Small parts warning: Choking hazard- small parts.  
Not for children younger than 3 years.**

Keep packaging for reference as it contains important information



### 3 Description of functions of remote controller

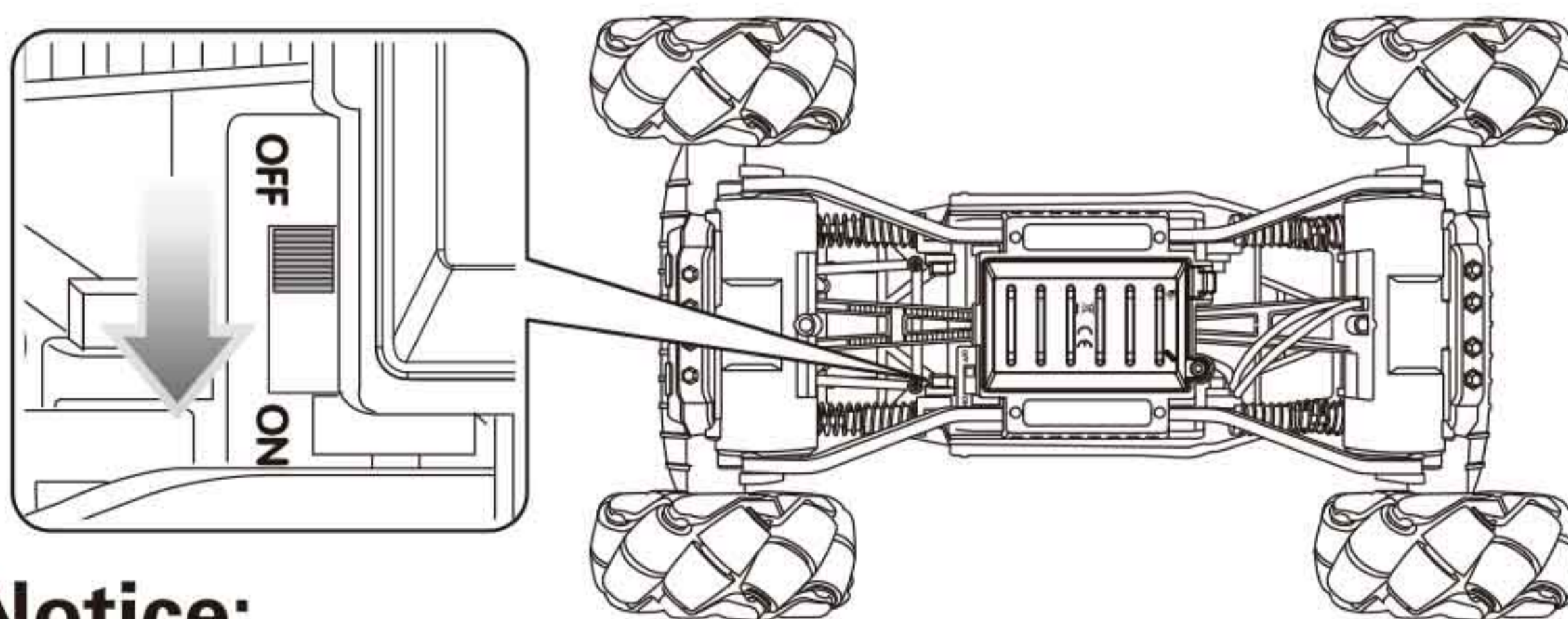


### 4 Demonstration and description of functions

Turn on the power: Turn the power switch of the remote control car to the "ON" position, the power will be switched on, and the operation indicator light of the remote controller will be off, which means that the frequency pairing is completed.

Remote control distance: No less than 30m.

Using time: Up to 30 to 45 minutes under a full charging state.



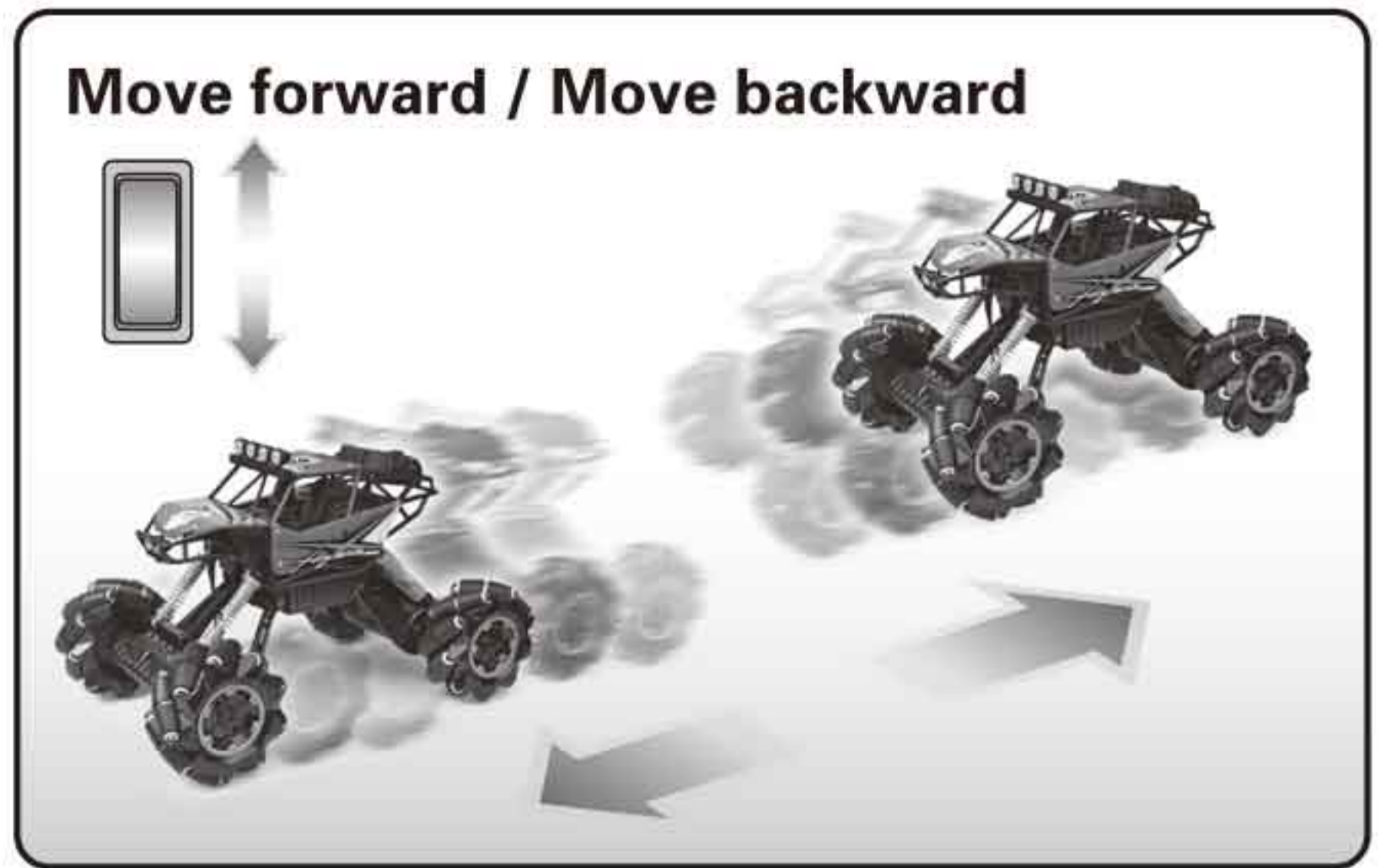
#### ⚠ Notice:

The remote control car cannot be controlled, unload the batteries and reload them. Then, Power off the remote control car, and then power it on. Finally, pull the control lever of the remote controller to conduct frequency pairing again.



### 1. Move forward / Move backward

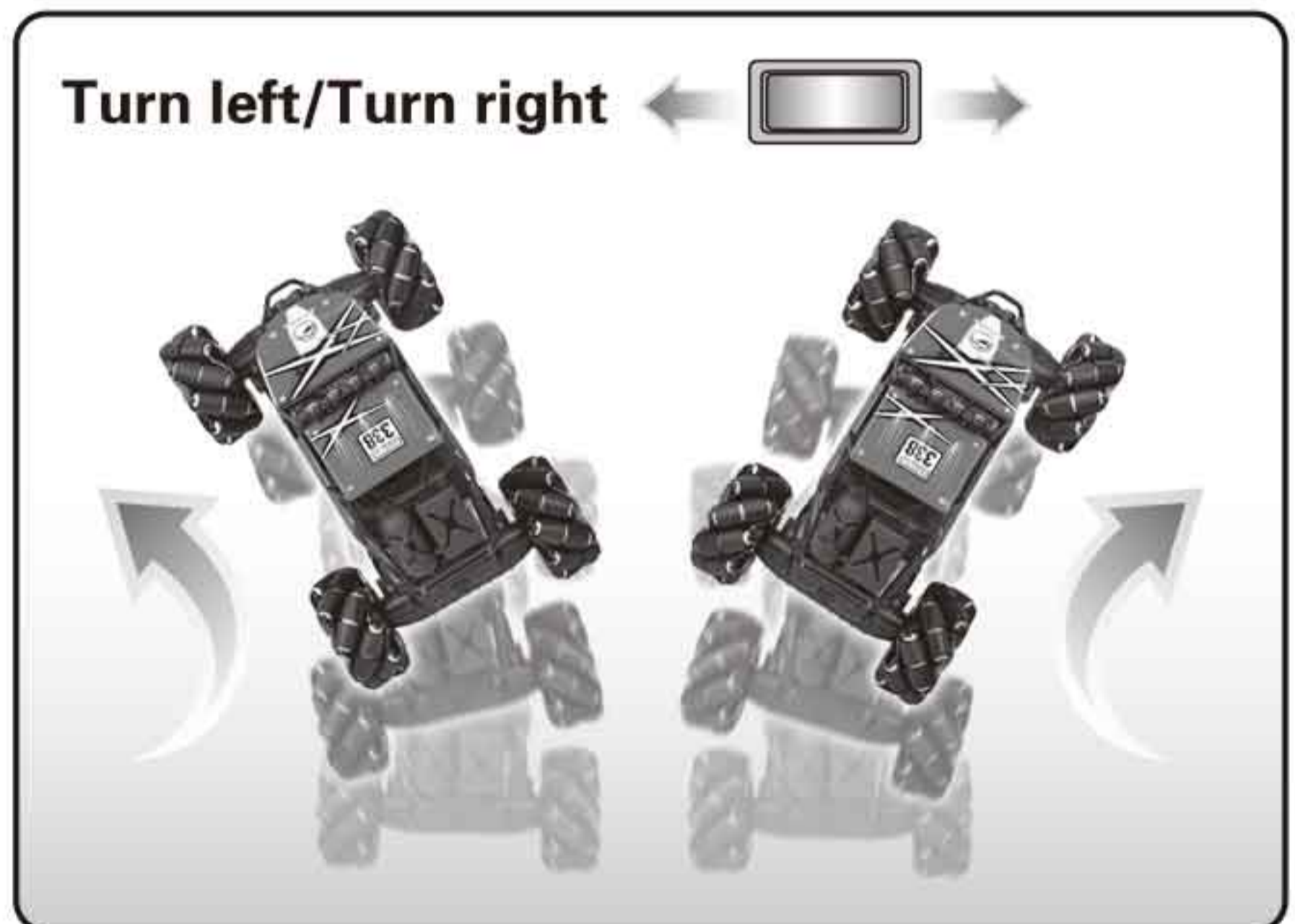
Push upwards/Pull backwards the left control lever, so the remote control car will move forwards/backwards; continually push upwards/pull backwards the left control lever, so the remote control car will continually move forwards/backwards.



---

### 2. Turn left/Turn right

Push left/Push right the right control lever, so the remote control car will turn left/turn right; continually push left/push right the right control lever, so the remote control car will continually turn left/turn right.



---

### 3. Body rise and fall

When the "body rise and fall" key is pressed, the body of the remote control car will descend; when it is pressed again, the body of the remote control car will restore.





#### 4. Left drifting of head

When the "Left drifting of head" key is pressed once, the head of the remote control car will drift left; when it is pressed and held, the head of the remote control car will drift left all the time.



---

#### 5. Right drifting of head

When the "Right drifting of head" key is pressed once, the head of the remote control car will drift right; when it is pressed and held, the head of the remote control car will drift right all the time.



---

#### 6. Left drifting of tail

When the "Left drifting of tail" key is pressed once, the tail of the remote control car will drift left; when it is pressed and held, the tail of the remote control car will drift left all the time.





## 7. Right drifting of tail

When the "Right drifting of tail" key is pressed once, the tail of the remote control car will drift right; when it is pressed and held, the tail of the remote control car will drift right all the time.

### Right drifting of tail



## 8. Drift front left at 45°

When the "Drift front left at 45°" key is pressed once, the remote control car will drift at 45° front left; when it is pressed and held, the remote control car will drift front left at 45° all the time.

### Drift front left at 45°



## 9. Drift right front at 45°

When the "Drift front right at 45°" key is pressed once, the remote control car will drift at 45° front right; when it is pressed and held, the remote control car will drift front right at 45° all the time.

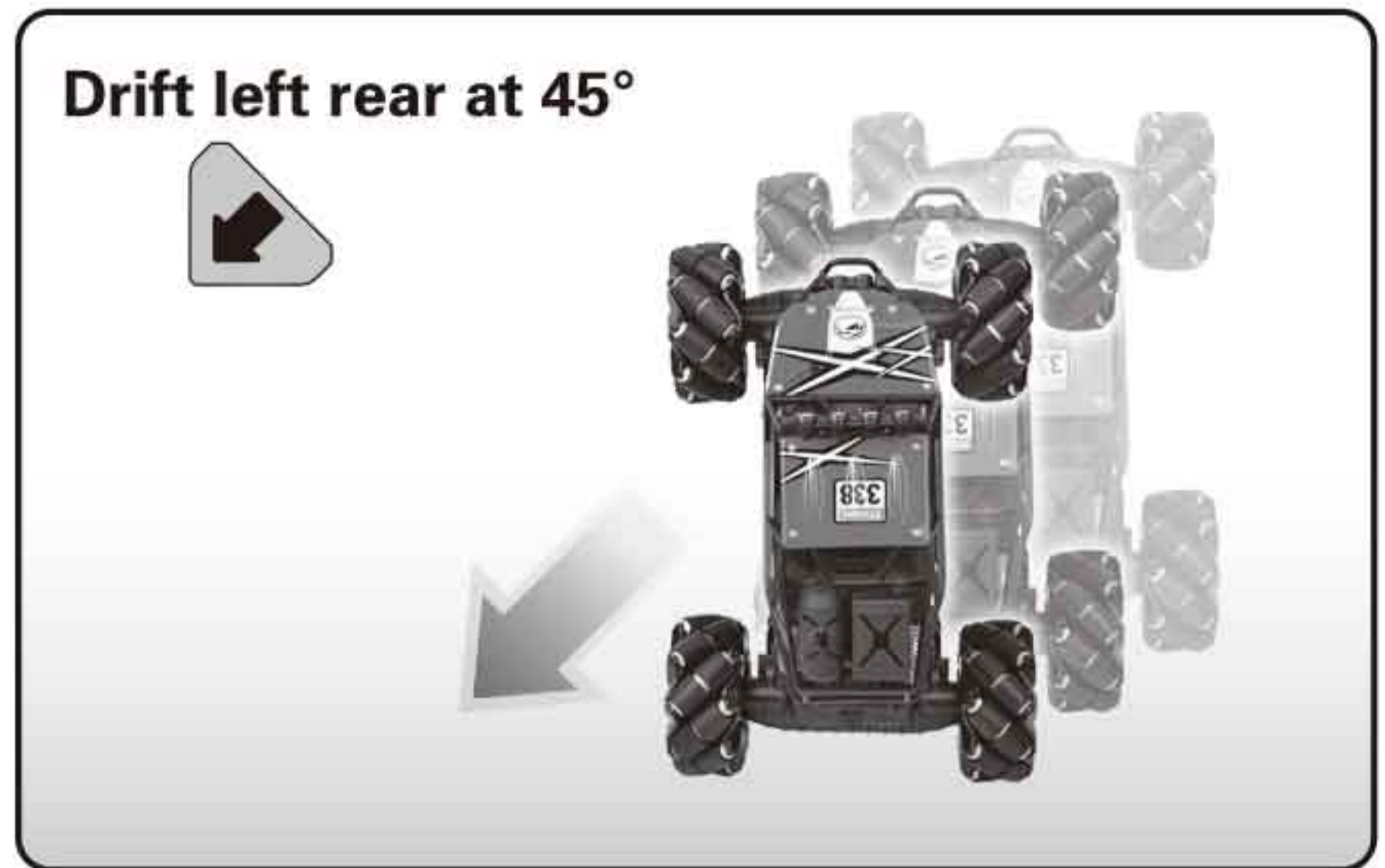
### Drift right front at 45°





### 10. Drift left rear at 45°

When the "Drift left rear at 45° " key is pressed once, the remote control car will drift at 45° left rear; when it is pressed and held, the remote control car will drift left rear at 45° all the time.



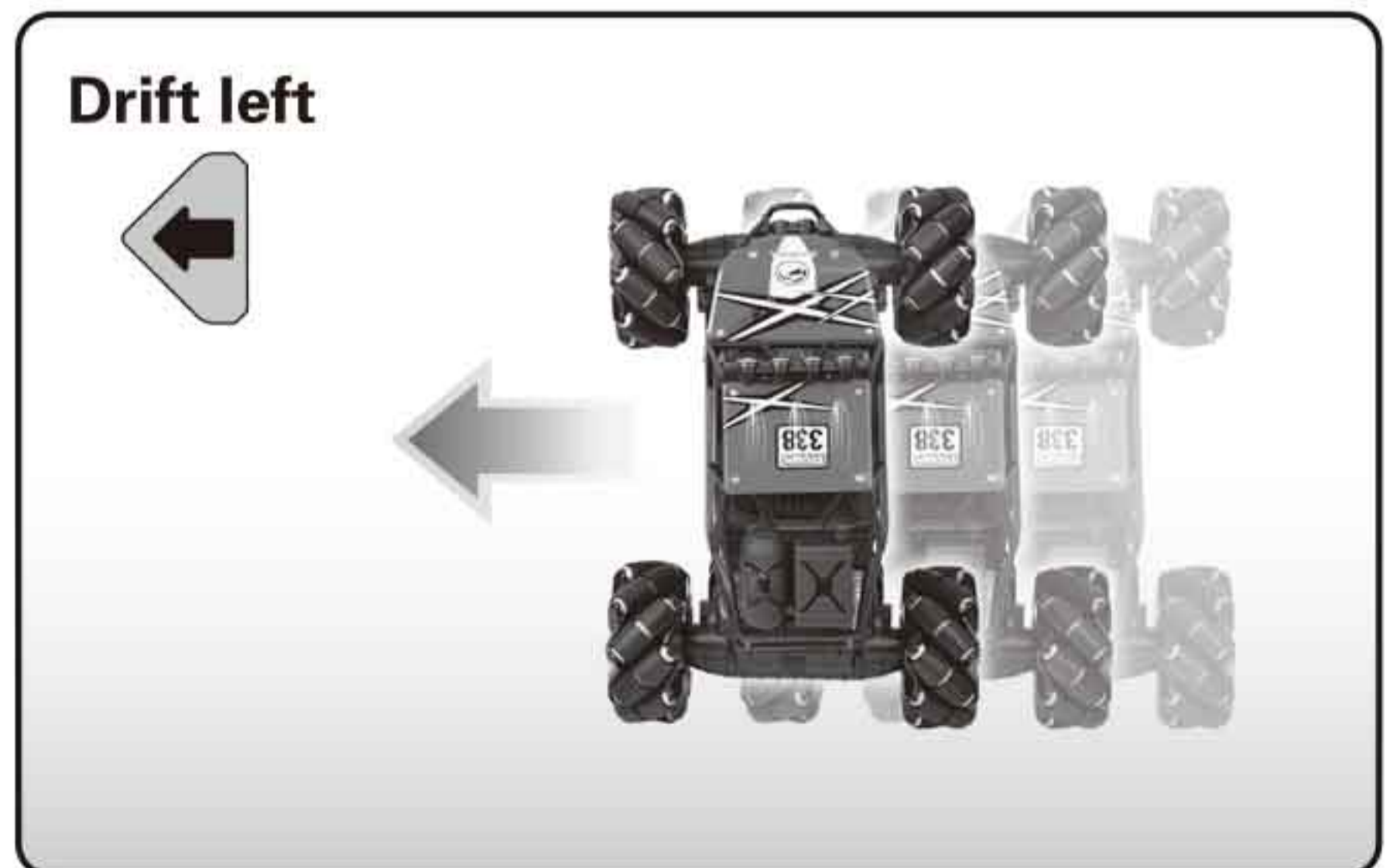
### 11. Drift right rear at 45°

When the "Drift right rear at 45° " key is pressed once, the remote control car will drift at 45° right rear; when it is pressed and held, the remote control car will drift at 45° right rear all the time.



### 12. Drift left

When the "Drift left" key is pressed once, the remote control car will drift left; when it is pressed and held, the remote control car will drift left all the time.





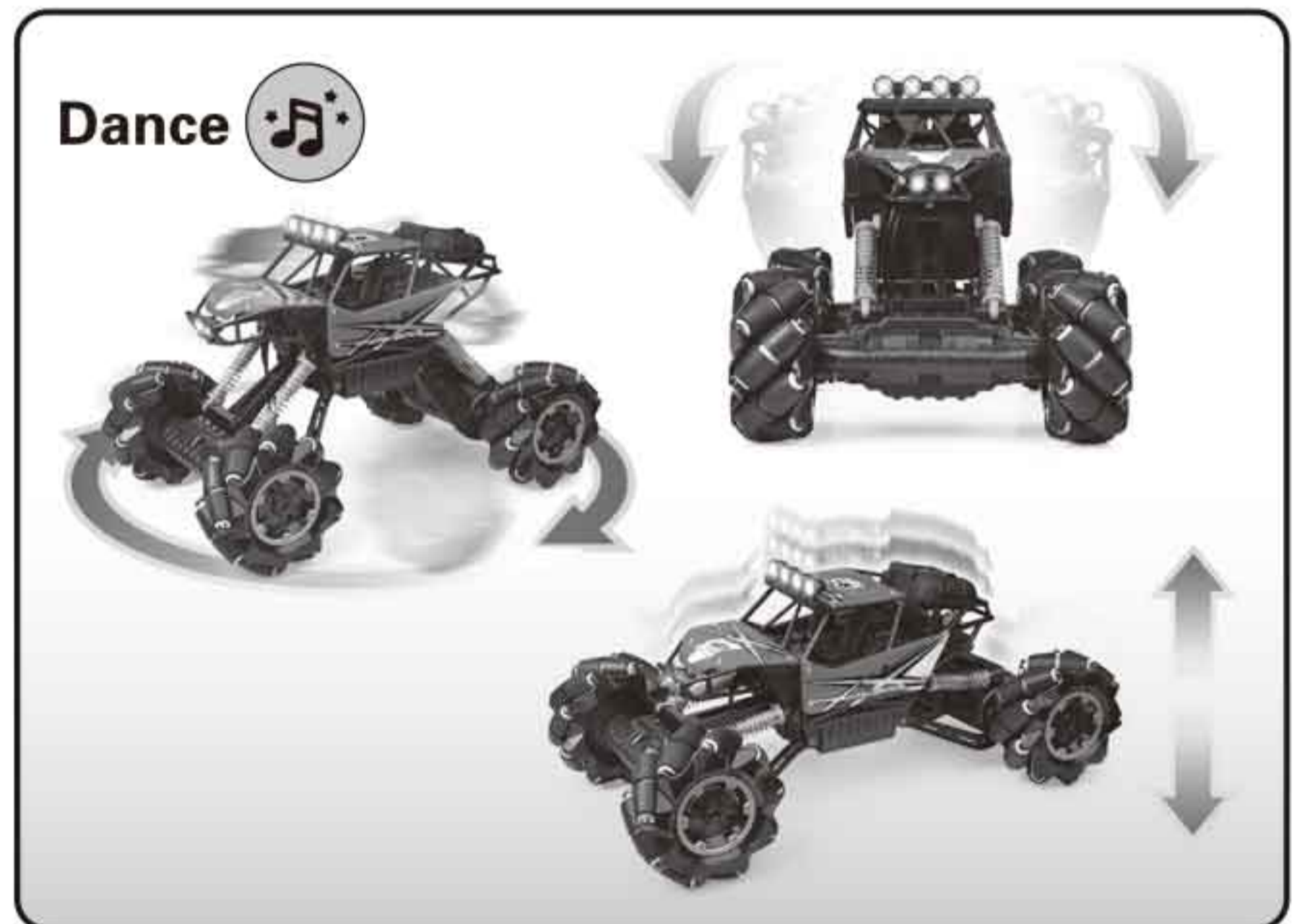
### 13. Drift right

When the "Drift right" key is pressed once, the remote control car will drift right; when it is pressed and held, the remote control car will drift right all the time.



### 14. Dance

When the "Dance" key is pressed once, music will be played and at the same time the remote control car will start to automatically dance; when the "Dance" key is pressed again, the next dance music is switched to automatically.



### 15. Loudspeaker

- (1). When the "Loudspeaker" key is pressed once, the remote control car will hoot.
- (2). Press the "Loudspeaker" button, the sound of the horn changes from loud to low, and then from low to loud. (The actual situation should be based on the material object)

### 16. Enter program

When the "Enter program" key is pressed once, the remote control car will make a prompt sound, and the "Move forward, Move backward, Turn left, Turn right, Left drifting of head, Right drifting of head, Drift front left at 45°, Drift right front at 45°, Drift left, Drift right, Drift left rear at 45°, Drift right rear at 45°, Left drifting of tail, Right drifting of tail, Body rise and fall" keys on the remote controller can be input as commands. Press the "Execute Programming" button again to execute the programming action on the remote control car. (16 commands can be input at most. Programming automatically starts after the actions are full.)

### 17. Execute programming

Press the "Execute programming" button again to execute the programming action on the remote control car.



## 5 Solutions to problems

Problem	Cause	Processing Method
The remote control fails to function.	1. Fail to put the battery into the right electrodes.	1. Check and make sure that the battery is put in according to the signs of the electrodes on the battery box.
	2. Low battery.	2. Replace with new batteries.
	3. Out of the controllable distance.	3. Keep the remote control within 30 meter and point at the remote control car.
	4. No pairing frequency between the remote controller and remote control car	4. Unload the batteries and reload them. Then, Power off the remote control car, and then power it on. Finally, pull the control lever of the remote controller to conduct frequency pairing again.
The remote control car cannot be controlled	1. Make the on/off stay at the "OFF" position.	1. Make the on/off stay at the "ON" position.
	2. The remote control car and rechargeable battery pack haven't been connected by correctly corresponding with the electrodes.	2. Check and make sure that the battery pack is connected to the remote control car according to the right electrodes.
	3. Low battery.	3. Recharge or replace the battery pack when it is running low.
	4. The remote control car has unclear voice and dark light.	4. Recharge or replace the battery pack when it is running low.
	5. The remote controller and remote control car haven't undergone frequency pairing	5. Unload the batteries and reload them. Then, Power off the remote control car, and then power it on. Finally, pull the control lever of the remote controller to conduct frequency pairing again.

### **WARNING**

Battery charger used with the toy are to be regularly examined for damage to the cord, plug, enclosure and other parts, and that, in the event of such damage, the toys must not be used with this battery charger until the damage has been repaired.